



**WORLD HEADQUARTERS  
CANADA**

**Yorkville Sound**  
550 Granite Court  
Pickering, Ontario  
L1W-3Y8 CANADA

Voice: (905) 837-8481  
Fax: (905) 837-8746

**U.S.A.**

**Yorkville Sound Inc.**  
4625 Witmer Industrial Estate  
Niagara Falls, New York  
14305 USA

Voice: (716) 297-2920  
Fax: (716) 297-3689



**Quality and Innovation Since 1963**  
Printed in Canada

# YS-115P

**200 WATT POWERED SOUND REINFORCEMENT CABINET**

1. Parts List
2. m539 schematic
3. m539 pcb
4. contact information



## Service Manual



**PERFORMANCE  
SERIES**

**IMPORTANT SAFETY INSTRUCTIONS**



**INSTRUCTIONS PERTAINING TO A RISK OF FIRE, ELECTRIC SHOCK, OR INJURY TO PERSONS.**

**INSTRUCTIONS RELATIVES AU RISQUE DE FEU, CHOC ÉLECTRIQUE, OU BLESSURES AUX PERSONNES.**

**CAUTION:**

**DO NOT REMOVE COVER (OR BACK). NO USER SERVICEABLE PARTS INSIDE.**

**REFER SERVICING TO QUALIFIED SERVICE PERSONNEL.**

**AFIN DE RÉDUIRE LES RISQUE DE CHOC ÉLECTRIQUE, N'ENLEVEZ PAS LE COUVERT (OU NE CONTIENT AUCUNE PIÈCE RÉPARABLE PAR L'UTILISATEUR.**

**CONSULTEZ UN TECHNICIEN QUALIFIÉ POUR L'ENTRETIEN.**

**Read Instructions:**

The *Owner's Manual* should be read and understood before operation of your unit. Please, save these instructions for future reference.

**Packaging:**

Keep the box and packaging materials, in case the unit needs to be returned for service.

**Warning:**

When using electric products, basic precautions should always be followed, including the following:

**Power Sources:**

Your unit should be connected to a power source only of the voltage specified in the owners manual or as marked on the unit. This unit has a polarized plug. Do not use with an extension cord or receptacle unless all three blades can be fully inserted to prevent blade exposure. Precautions should be taken so that the grounding scheme on the unit is not defeated.

**Power Cord:**

The AC supply cord should be routed so that it is unlikely that it will be damaged. If the AC supply cord is damaged **DO NOT OPERATE THE UNIT.**

**Service:**

The unit should be serviced only by qualified service personnel.

**Veillez lire le manuel:**

Il contient des informations qui devraient étre comprises avant l'opération de votre appareil. Conservez S.V.P. ces instructions pour consultations ultérieures

**Emballage:**

Conservez la boîte au cas ou l'appareil devait étre retourner pour réparation.

**Warning:**

Attention: Lors de l'utilisation de produits électrique, assurez-vous d'adhérer à des précautions de bases incluant celle qui suivent:

**Alimentation:**

L'appareil ne doit étre branché qu'à une source d'alimentation correspondant au voltage spécifié dans le manuel ou tel qu'indiqué sur l'appareil. Cet appareil est équipé d'une prise d'alimentation polarisée. Ne pas utiliser cet appareil avec un cordon de raccordement à moins qu'il soit possible d'insérer complètement les trois lames. Des précautions doivent étre prises afin d'éviter que le système de mise à la terre de l'appareil ne soit désengagé.

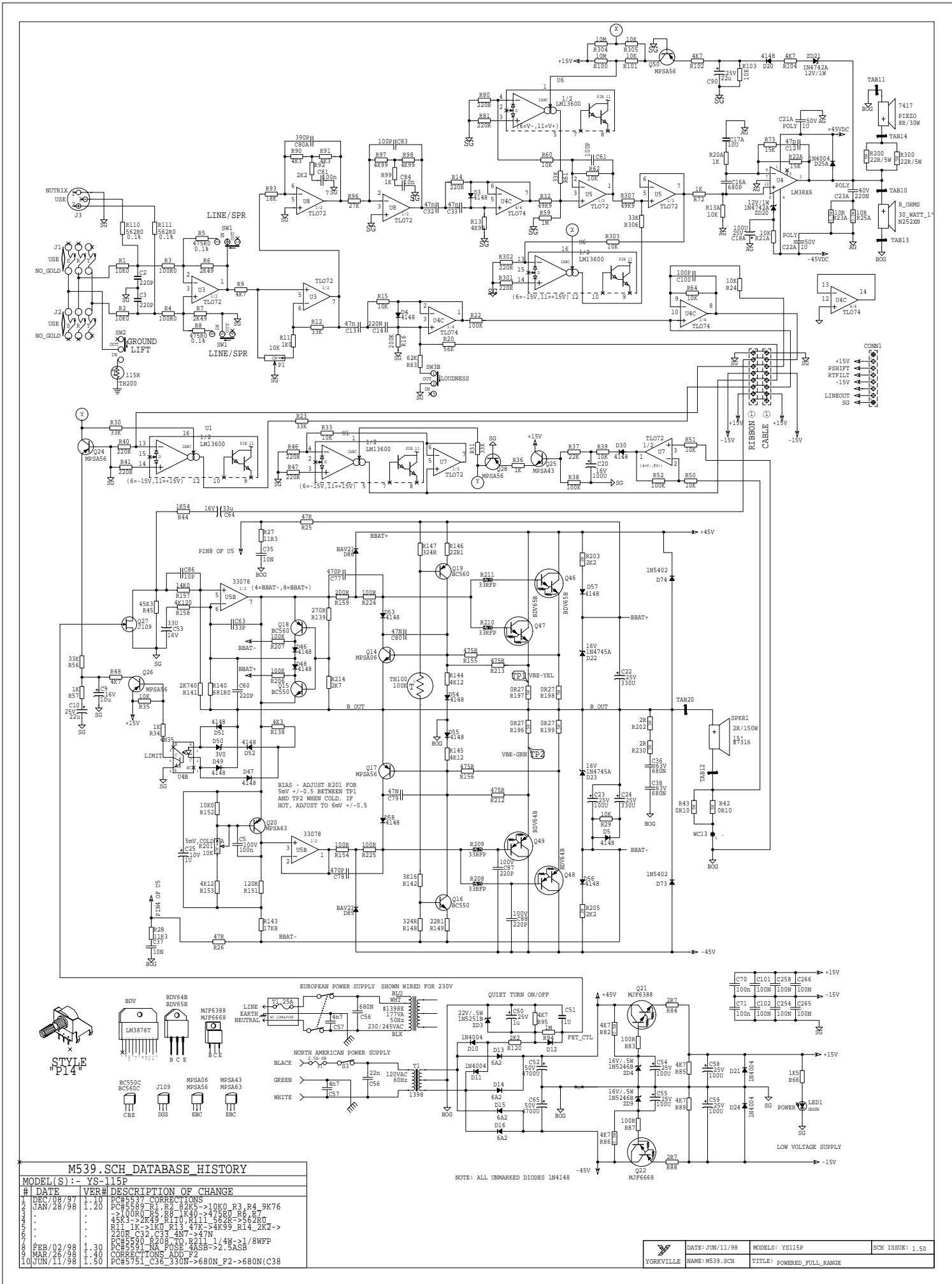
**Cordon d'alimentation:**

Évitez d'endommager le cordon d'alimentation. **N'UTILISEZ PAS L'APPAREIL** si le cordon d'alimentation est endommagé.

**Service:**

Consultez un technicien qualifié pour l'entretien de votre appareil.

YS No.	Description	Qty.	YS No.	Description	Qty.
6410	GREEN 3MM LED 1V7 5MA BULK BRT CLR	1	4597	22AWG STRAN TC WIR	30
6425	BAV21 200V 0A25 DIODE T&R	2	4599	22AWG SOLID SC WIR T&R	36
6434	6A2 200V 6A0 DIODE	4	5299	22AWG SOLID SC WIR RAD	7
6438	1N4004 400V 1A0 DIODE T&R	5	4745	5.0W 0R1 5% BLK RES	2
6825	1N4148 75V 0A45 DIODE T&R	18	4729	5.0W 0R27 5% BLK RES	4
6827	1N5402 200V 3A0 DIODE	2	4703	2.0W 2R 5% T&R RES	2
6439	1N5225B 3V0 0W5 ZENER 5% T&R	1	4905	1/4W 2R7 5% T&R RES	2
6807	1N4742A 12V0 1W0 ZENER 5%	2	4675	1/2W 10R 5% T&R RES	2
6822	1N4745A 16V0 1W0 ZENER 5% T&R	2	4766	1/4W 11R3 1%FLAME PROOF T&R RES	2
6824	1N5246B 16V0 0W5 ZENER 5% T&R	2	4591	1/8W 22R1 1%FLAME PROOF T&R RES	2
6463	1N5251BRL 22V0 0W5 ZENER 5% T&R	1	4589	1/8W 33R 2%FLAME PROOF T&R RES	4
5101	BC550C TO92 NPN TRANS. T&R	2	6134	1/4W 47R 5%MINI T&R RES	2
5102	BC560C TO92 PNP TRANS. T&R	2	4590	1/8W 100R0 1%FLAME PROOF T&R RES	2
5103	MPSA06 TO92 NPN TRANS. T&R	1	4852	1/4W 100R 5% T&R RES	5
5104	MPSA56 TO92 PNP TRANS. T&R	5	4987	1/4W 120R 5%MINI T&R RES	1
5109	MPSA43 TO92 NPN TRANS.	1	4909	1/4W 200R 5% T&R RES	1
5106	MPSA63 TO92 PNP DARLINGTON&R	1	4857	1/4W 220R 5% T&R RES	9
5122	J102-J109 TO92 N CHAN J FETT&R	1	4789	1/4W 324R0 0.1% *** T&R RES	2
6814	MJF6668 221D- PNP DARLINGTON	1	4698	1/8W 475R 1%FLAME PROOF T&R RES	4
6815	MJF6388 221D- NPN DARLINGTON	1	5015	1/4W 475R0 0.1% *** T&R RES	2
6917	BDV64B TO218 PNP DARLINGTON	2	5014	1/4W 562R0 0.1% *** T&R RES	2
6918	BDV65B TO218 NPN DARLINGTON	2	4743	1/4W 681R0 0.1% *** T&R RES	1
6755	LM3876T IC 40 WATT POWER AMP	1	4823	1/4W 1K 5% T&R RES	5
6840	MC33078P IC DUAL OP AMP	1	4981	1/4W 1K 5%MINI T&R RES	1
6882	TLO72CP IC FET DUAL OP AMP	4	6110	1/4W 1K0 1%MINI MF T&R RES	1
6889	TLO74CN IC QUAD O/A TEXASI ONLY	1	4824	1/4W 1K5 5% T&R RES	1
6745	LM13600N IC XCONDUCTANCE AMP	2	4791	1/4W 1K54 1% T&T RES	1
6880	4N35 OPTO-COUPLER	1	4705	2.0W 2K2 5% BLK RES	2
6477	100K 5% 1/4W THERMISTOR T&R 0.2	1	4847	1/4W 2K2 5% T&R RES	2
6482	115R 20% 0W0 PTC THERMISTOR	1	4883	1/4W 2K49 1% T&R RES	2
5400	10P 100V 10%CAP T&R TUBULAR NPO	1	4864	1/4W 2K7 5% T&R RES	1
5406	33P 50V 10%CAP TUBULAR BULK NPO	1	4764	1/4W 2K740 0.1% *** T&R RES	1
5408	47P 100V 10%CAP T&R BEAD NPO	1	4992	1/4W 3K16 1% T&R RES	1
5410	100P 100V 10%CAP T&R BEAD NPO	3	4756	1/4W 4K120 0.1% *** T&R RES	1
5197	220P 100V 2%CAP T&R RAD CER.2"NPO	2	4774	1/4W 4K12 1% T&R RES	3
5412	220P 100V 10%CAP T&R BEAD NPO	3	4910	1/4W 4K3 5% T&R RES	3
5413	390P 50V 10%CAP T&R BEAD NPO	1	4627	1/2W 4K7 5% T&R RES	2
5416	470P 50V 10%CAP T&R BEAD NPO	2	4827	1/4W 4K7 5% T&R RES	7
5420	680P 50V 10%CAP T&R BEAD NPO	1	4639	1/4W 4K99 1% T&R RES	3
6451	4N7 250V 20%CAP AC Y ONLY RAD10MM	1	4800	1/4W 10K0 1% T&R RES	3
5204	10N 100V 10%CAP T&R RADIAL.2"FILM	1	4829	1/4W 10K 5% T&R RES	17
5300	10N 50V 10%CAP T&R BEAD X7R	2	4775	1/4W 14K0 1% T&R RES	1
6435	22N 275V 20%CAP AC X2 RAD BLK15MM	1	4830	1/4W 15K 5% T&R RES	2
5224	47N 100V 10%CAP T&R RADIAL.2"FILM	5	4771	1/4W 17K8 1% T&R RES	1
5228	100N 100V 5%CAP T&R RADIAL.2"FILM	1	4831	1/4W 18K 5% T&R RES	1
5314	100N 50V 10%CAP T&R BEAD X7R	11	4832	1/4W 22K 5% T&R RES	1
5231	220N 63V 10%CAP T&R RADIAL.2"FILM	2	4833	1/4W 27K 5% T&R RES	1
5240	680N 63V 10%CAP T&R RADIAL.2"FILM	2	4840	1/4W 33K 5% T&R RES	7
5255	1U 63V 20%CAP T&R RADIAL ELE.2"	2	4908	1/4W 45K3 1% T&R RES	1
5256	1U 63V 5%CAP T&R RADIAL.2"FILM	3	4803	1/4W 49K9 1% T&R RES	2
5945	10U 63V 20%CAP T&R RADIAL ELECTR	2	4835	1/4W 56K 5% T&R RES	1
5260	22U 50V 20%CAP T&R RADIAL ELE.2"	2	4848	1/4W 62K 5% T&R RES	1
5961	33U 16V 20%CAP NONPOLAR T&R RAD	2	4838	1/4W 100K 5% T&R RES	3
5267	100U 25V 20%CAP T&R RADIAL ELE.2"	7	6120	1/4W 100K 5%MINI T&R RES	2
5630	330U 25V 20%CAP RADIAL ELECT BULK	2	4886	1/4W 200K 5% T&R RES	1
5859	4700U 50V 20%CAP RADIAL ELECT BULK	2	4844	1/4W 1M 5% T&R RES	2
4520	10K TRIM POT (ENCLOSED)	1	4809	1/4W 10M 5% T&R RES	2
4403	10K 5B-LINEAR STYLE"P14"16MM	1	3608	10" 9C-24AWG RIBBON HEAVY DUT.100"	1
8468	VELCRO STRAP 3/4"X18CM (VELSTRAP)	1	8742	4-40 X 3/8 PAN PH TAPTITE SJ500	2
8483	ADAPTOR,SPEAKER STAND,METAL,BLACK	1	8832	6-32 X 1/4 PAN PH TAPTITE SJ500	1
8674	R385 PLASTIC CORNER W TREAD	8	8801	6-32 X 3/8 PAN PH TAPTITE SJ500	2
8886	NEOPRENE N252 DRIVER GASKET	1	8796	6-32 X 5/8 PAN PH TAPTITE ZINC	1
3463	CLIP 110X020 18-22AWG DISCO/INSL	3	8823	6-32 X 1 PAN PH TAPTITE SJ500	3
3478	CLIP 205/187X032 18-22AWG DISCO/INS	2	8876	#6 X 1 1/2 PAN PH TYPE A SJ500	4
3489	CLIP 250X032 18-22AWG DISCO/INSL	8	8767	#8 X 3/4 PAN PHIL TYPE A SJ500	5
3491	CLIP 205/187X020 18-22AWG DISCO/INS	3	8785	#8 X 3/4 OVAL PH TYPE A SJ500	32
3682	250 MALE PCB TAB BULK ON CATRIGE	15	8815	8-32 X 3/4 PAN PH TAPTITE SJ500	5
3498	M203-02 PLAIN PC MNT JK SKT	2	8804	8-32X1.25 PAN PH MS ZINC CLEAR	6
3660	FEMALE PC MOUNT XLR NTRX.NC3FPR-H-O	1	8809	10-32 X 1/4 PAN PH TAPTITE SJ500	2
3451	0.089 OD SMALL EYELET ELECTROPLATED	10	8756	#10 X 3/4 PAN PH TYPE A SJ500	4
3414	INTERNATIONAL PC MOUNT FUSEHOLDER	2	8781	#10 X 7/8 FLAT PHIL TYPE JS500	2
2407	2.5 AMP SLO-BLO .25X1.25 FUSE	1	8727	#10 X 1" PAN PH MS TYPE AB JS500	24
8458	10.5" STRAP HANDLE, PLASTIC COVERS	1	8783	10-32 X 1 PAN QUAD TAPTITE SJ500	4
8604	10-32 T NUT	6	8843	10-32 X 1 1/8 FLAT PH MS SJ500	2
7417	8R 30W TWEETER PIEZO TLC 1	1	8786	10-32 X 1 1/4 PAN QD MS SJ500	4
N252XN	8R 30W 1"DRIVER RCF-N252XN	1	8777	#14 X 1FLAT PH TYPE A SJ500 M6 HEAD	4
3745	DUAL XSISTOR SPLIT SPRING PLATE ZN	3	8765	1/4-20 X 2 1/2 HEX HD MS SJ500	1
3795	#8 GROUND LUG ZIERICK 505-169	1	8905	YORKVILLE PRODUCT SCHEMATIC	1
3803	NYLON SECUR-A-TACH MINI PLASTIC TIE	1	8879	M5 X 10 DIN 7985 MS ZINC	2
3810	4" NYLON CABLE TIE	5	8607	3/16 NYLON SPACER OD 1/8 X ID .063	8
8661	BUTTON KNOB FLAT GREY	3	3743	SNAP ON 0.5" SPACER RICHCO	8
8693	S ROTARY KNOB GREY	1	7316	15" 2R 150W SPEAKER	1
3481	8? 3/18 SJT AC LINE CORD 250 CLIPS	1	8818	3/4 OD X 5/16 ID X .08 THICK WASHER	2
3834	HEYCO #1214 STRAIN RELIEF	1	8820	#8 FLAT WASHER SJ500	6
8261	GE VELVET LEXAN .007" X 12" X 24"	0.143	8473	#10 BLACK CUPWASHER SWF-10BK	1
3674	9 CIR CABLE HOLDER .098	2	8817	#10 FLAT WASHER BLACK OXIDE	4
8701	4-40 KEPS NUT ZINC	2	3421	DPDT PUSH SW PCMT MAKE B4 BREAK	3
8800	6-32 KEPS NUT ZINC	5	3698	SPST ROKR SW QUIK 180" AC PWR BL/BL	1
8788	1/4-20 KEPS NUT ZINC	1	8581	CUSTOM PBL TRANSISTOR SPACER	3
3830	TO218 PREGREASED MICA 56-78-2AP	1	1398	125VAC 62VSEC T?RD	1
3866	ELASTOMER PAD TSIL 3 1.2X6.0	1			



**M539.SCH DATABASE HISTORY**

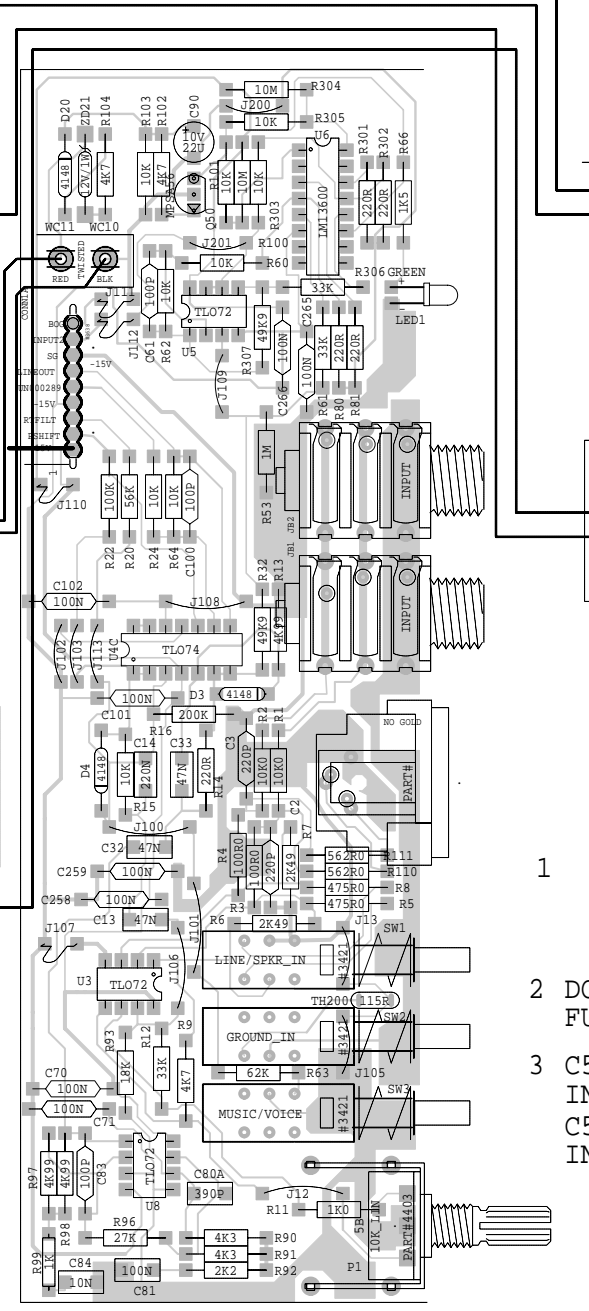
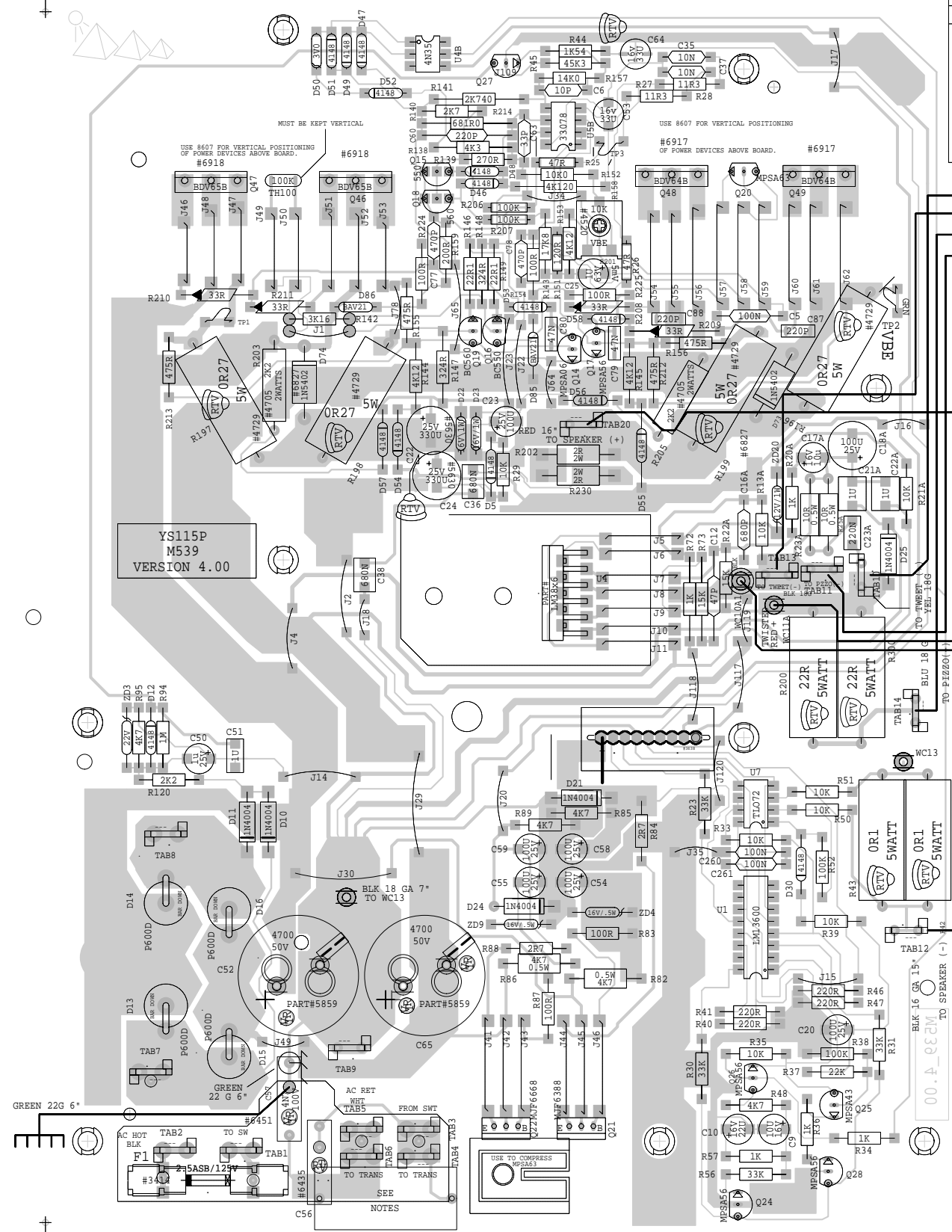
MODEL(S) :- YS-115P

#	DATE	VER#	DESCRIPTION OF CHANGE
1	DEC/08/97	1.10	PC#5537 CORRECTIONS
2	JAN/28/98	1.20	PC#5509 R1, R7, R25 >10K R3, R4, 9K76 >100R R5, R8, 1K40 >475R R6, R7 45K3 >2K49 R10, R11, 562R >562R R11 1K >1K R13, 47K >2K R9, R14 2KZ >220R C2, C3 4N7 >47N PC#5550 R208 TO R211 14N >8/WFP
3	FEB/02/98	1.30	PC#5551 NS, PDS, SASB >2, SASB CORRECTIONS ADD F2
4	MAR/26/98	1.40	PC#5552 NS, PDS, SASB >2, SASB
5	JUN/11/98	1.50	PC#5751 C36, 330N >680N, F2 >680N (C38)

YORKVILLE	DATE: JUN/11/98	MODELS: YS115P	SCH ISSUE: 1.50
	NAME: M539.SCH	TITLE: POWERED_PULL_RANGE	

M539.PCB\_DATABASE\_HISTORY

#	DATE	VER#	DESCRIPTION OF CHANGE
1	NOV/97	1.00	FIRST PRODUCTION
2	JAN/28/98	1.20	PC#5589_R1,R2 82K5->10K0_R3,R4 9K76 ->100R0_R5,R8 1K40->475R0_R6,R7 -> 45K3->2K49_R10,R11 562R->562R0 R11 1K->1K0_R13 47K->4K99_R14 2K2-> ->220R_C32,C33 4N7->47N
3	FEB/02/98	1.30	PC#5590_R208,TO,R211 1/4W-1/8WFP
4	FEB/11/98	2.00	PC#5591 FUSE 4ASB->2.5ASB NA ONLY
5	FEB/19/98	3.00	PC#5592 MOVE_FILTER_CAP_ADD_EYELETS
6	JUN/11/98	4.00	PC#5610 J3->AUTO-INS FUSE_PT#2486 PC#5751_C36_330N-680N_F2->680N(C38)

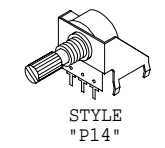


N252XN  
8 OHM

7417  
80HM

7316  
2.5 OHM

PRODUCTION NOTES



- DO NOT INSTALL FUSEHOLDER FOR EXPORT
- C56 FOR NORTH AMERICA  
INSTALL 22N #6435
- C56 FOR EXPORT  
INSTALL 680N #5266

BLANK SIZE=12.250 X 11.150

ETCH GUIDE

VCD