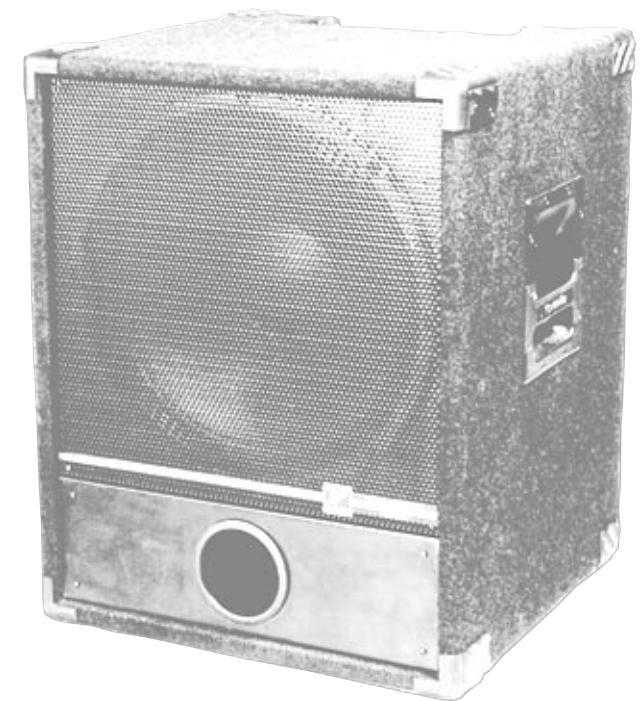




# YS-118PW

**200 WATT POWERED SUBWOOFER**



1. Parts List
2. Block Diagram
3. m519 schematic
4. m519 pcb
5. contact information

## **WORLD HEADQUARTERS CANADA**

**Yorkville Sound**  
550 Granite Court  
Pickering, Ontario  
L1W-3Y8 CANADA

Voice: (905) 837-8481  
Fax: (905) 837-8746

## **U.S.A.**

**Yorkville Sound Inc.**  
4625 Witmer Industrial Estate  
Niagara Falls, New York  
14305 USA

Voice: (716) 297-2920  
Fax: (716) 297-3689

# Service Manual

READ THIS MANUAL THOROUGHLY AND RETAIN IT FOR FURTHER USE



**Quality and Innovation Since 1963**

Printed in Canada



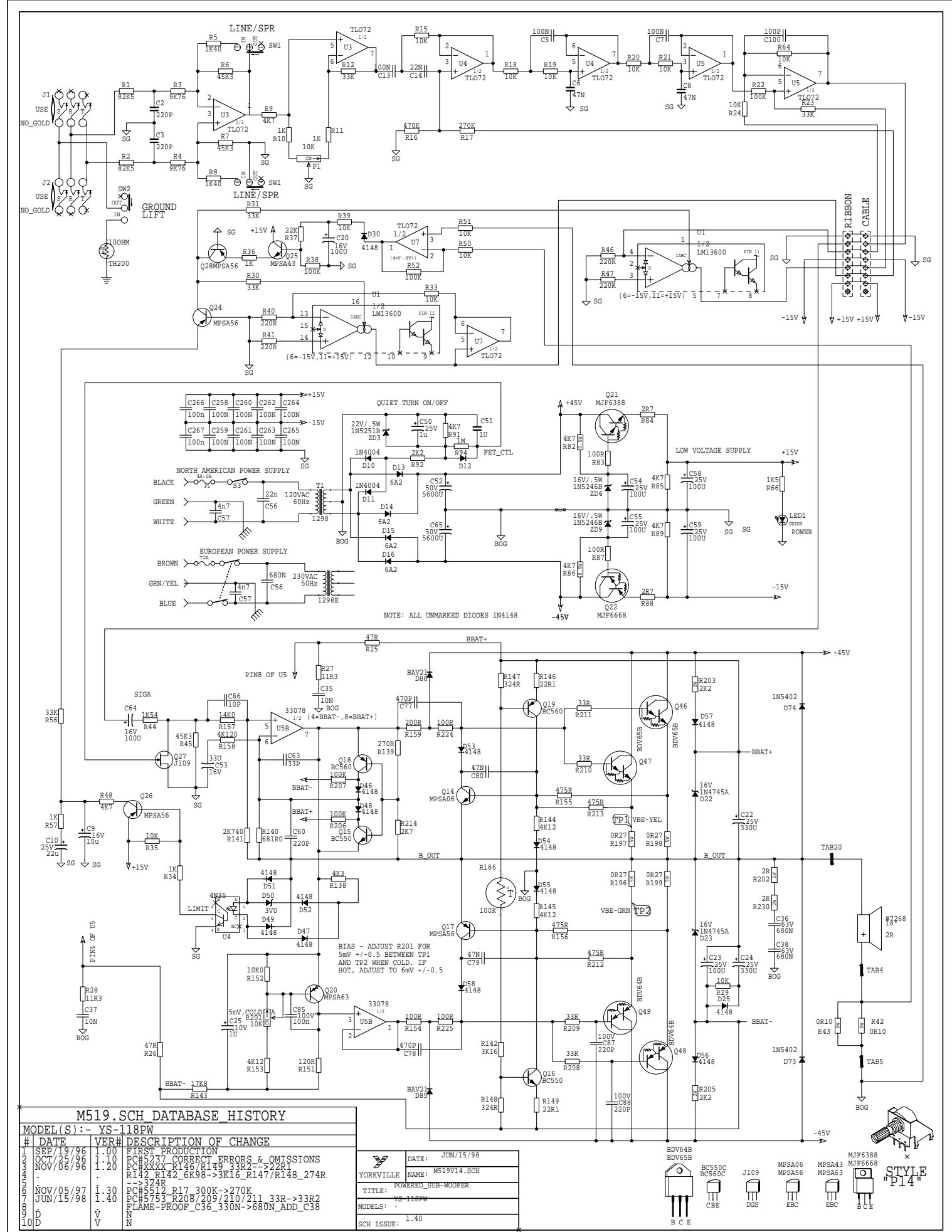
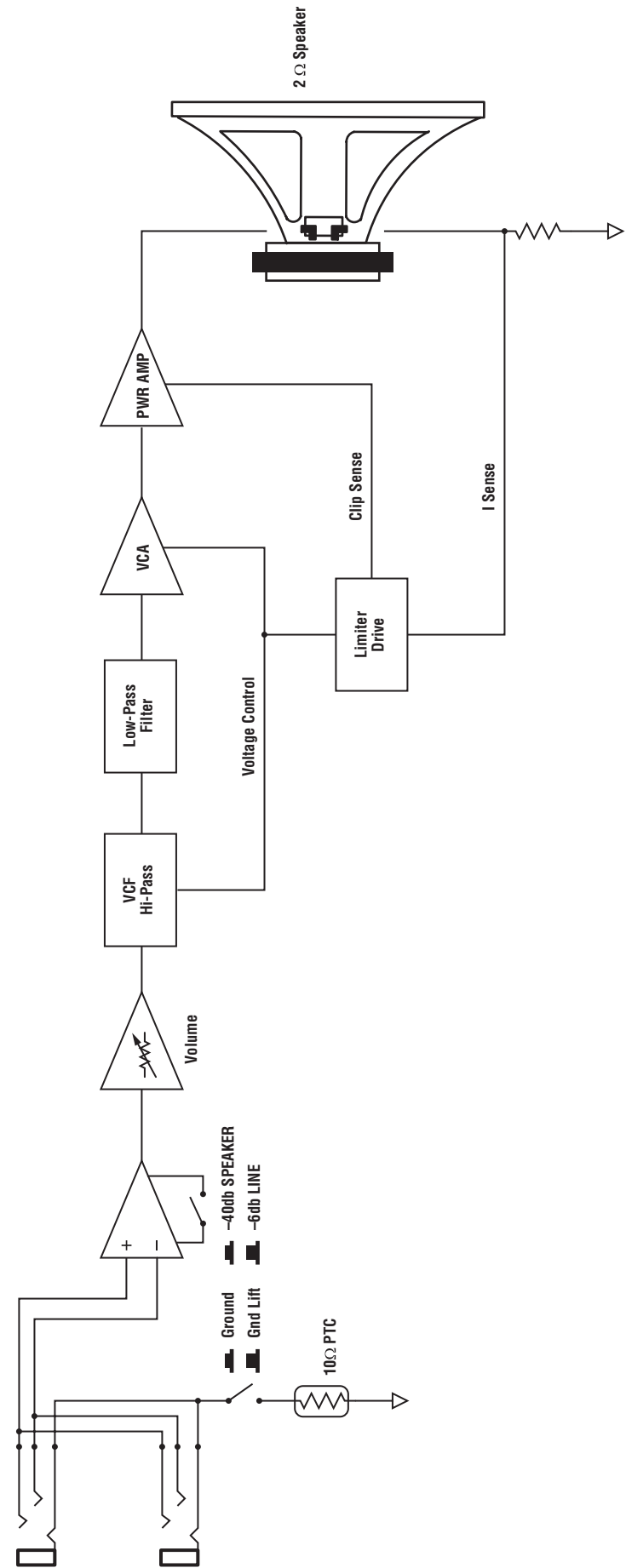
smys118pw.pdf V.3.0 8/98

**PERFORMANCE  
SERIES**



# Block Diagram for YS-118PW

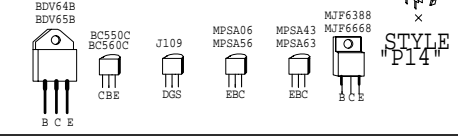
DESIGNED & MANUFACTURED BY YORKVILLE SOUND



**M519.SCH DATABASE HISTORY**

#	DATE	VER#	DESCRIPTION OF CHANGE
1	SEP/19/96	1.00	FIRST PRODUCTION
2	NOV/02/96	1.10	PCB 5277 CORRECTED ERRORS & OMISSIONS
3	NOV/02/96	1.20	PCB XXXX R146/R149 33R2->22R1 R142 R142 6K98->3K16 R147/R148 274R ->324R
4	NOV/05/97	1.30	PCB 5119 R17 300K->270K
5	JUN/15/98	1.40	PCB 5753 R208/209/210/211 33R->33R2 FLAME-PROOF_C36_330N->680N_ADD_C38

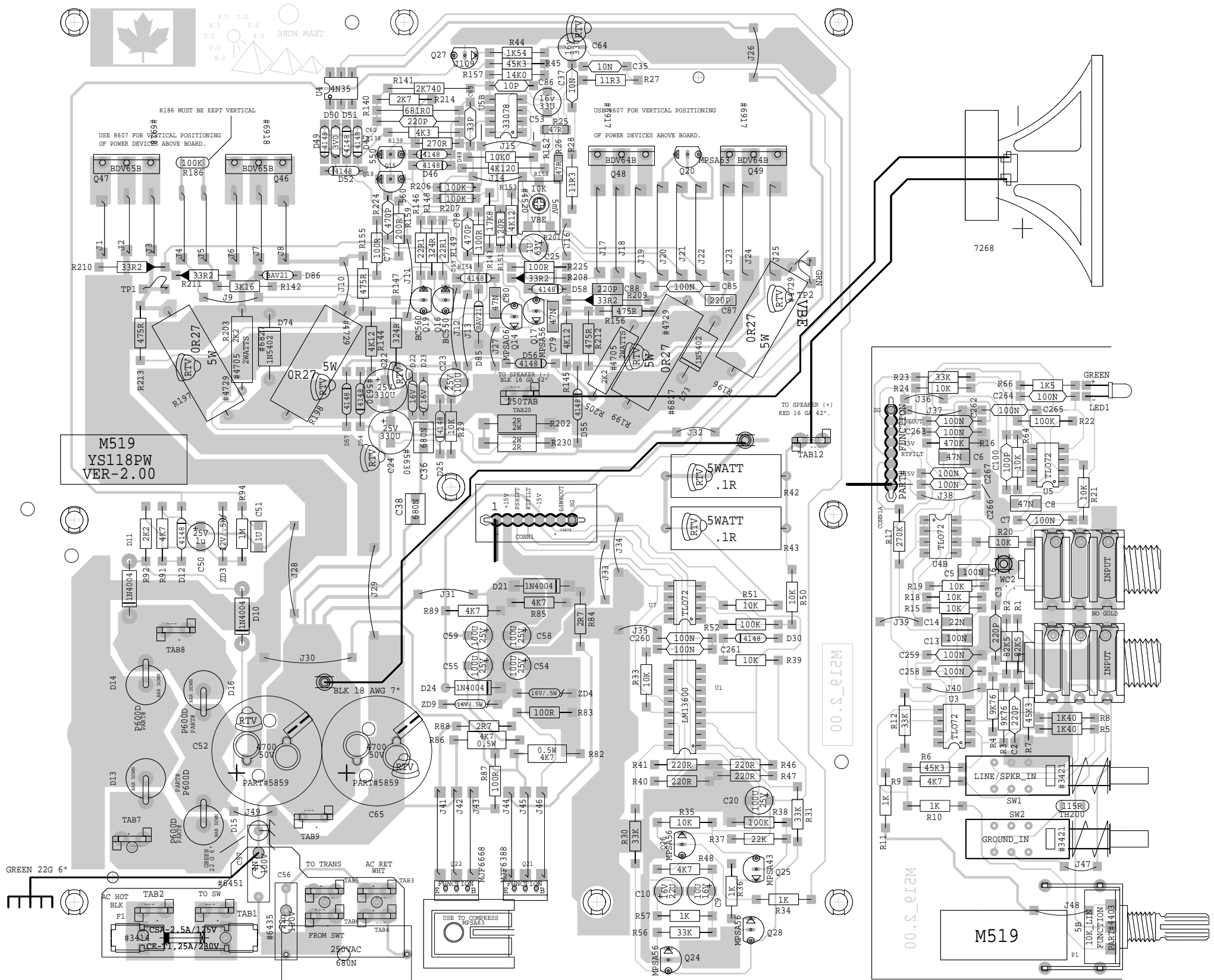
DATE:	JUN/15/98
YORKVILLE NAME:	M519V14.SCH
TITLE:	POWERED SUB-WOOFER
MODELS:	YS-118PW
SCH ISSUE:	1.40



STYLE "P14"

ASSEMBLY M519\_2.00  
PCB MECH M519\_2.00

SOLDERSIDE M519\_2.00



M519  
YS118PW  
VER-2.00

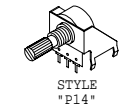
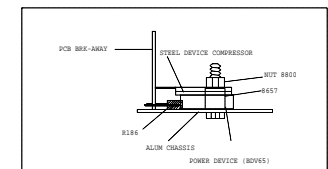
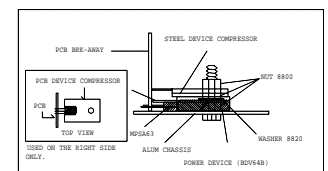
ETCH GUIDE

BLANK SIZE=12.250 X 9.925

M519.PCB_DATABASE_HISTORY			
#	DATE	VER#	DESCRIPTION OF CHANGE
1	SEP/19/96	1.00	FIRST PRODUCTION
2	OCT/02/96	1.10	CORRECT PRODUCTION PROBLEMS
3	NOV/07/96	1.11	ADD STAND-OFF NEAR U4
4	...	...	PC#5553 R147 R148 274R->324R
5	...	...	R149 R146 33R2->27R1 R142_
6	...	...	-6K98->3K16
7	NOV/05/97	1.11	PC#5512 R17 300K->270K
8	JUN/15/98	2.00	PC#5553 R208 209 210 211 33R
9	...	...	->33R2 FLAME-PROOF C36 330N->
10	...	...	680N_ADD_C38_680N

PRODUCTION NOTES

- 1 NO FUSE OR FUSE CLIPS FOR CE  
NO WIRE JUMPER
- 2 C56 FOR NORTH AMERICA USE #6435  
FOR CE USE #5266 680N  
NOTE: 680N MUST BE INSTALLED  
AFTER BOARD IS SHEARED
- 3 FOAM (PT#8379) MUST BE SILICONED  
TO THE SOLDERSIDE OF THE INPUT  
SECTION OF THIS BOARD
- 4 Q20 MUST BE HAND INSERTED



STYLE  
\*P14\*