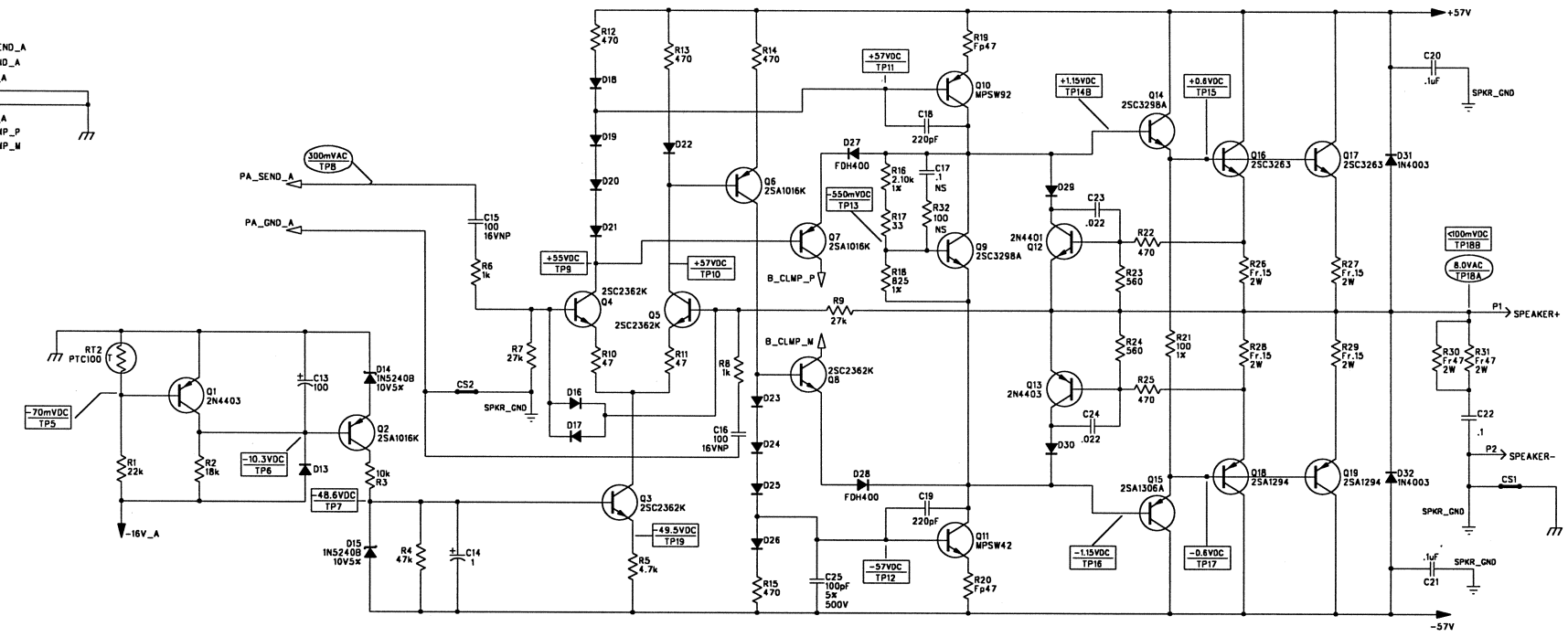
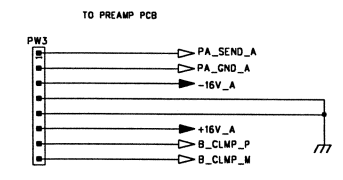
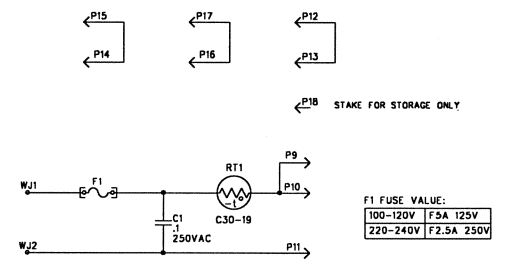
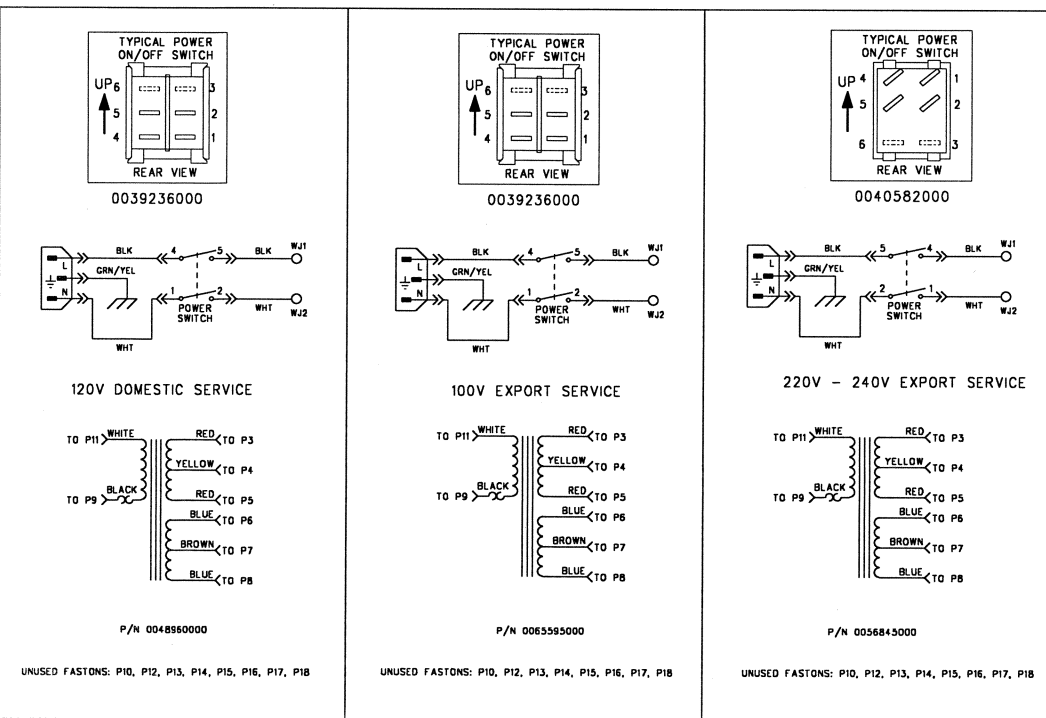
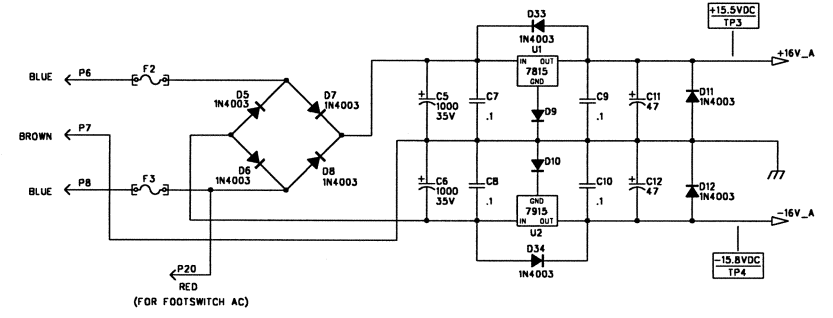
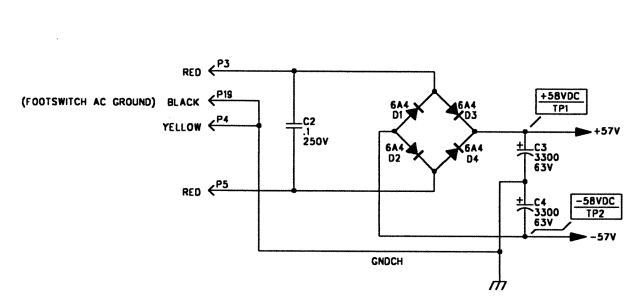


REVISIONS			
REV.	DESCRIPTION	DATE	APPROVED
A	PR419	17-JAN-00	R B H
B	EC 2468	24-APR-00	R B H
C	EC 2522	9-AUG-00	R B H
D	EC 2706	30-JAN-02	R B H
E	EC 2987	12-SEP-03	R B H
F	PR 411	30-APR-04	S M M
G	EC 3101	20-MAY-04	S M M



**OUTPUT POWER TEST:**  
 CONNECT A 1kHz SINEWAVE SIGNAL TO J1 (FRONT PANEL). SET MASTER VOLUME ON FRONT TO MAX (CW). WITH A 4 OHM LOAD CONNECTED TO P1/P2 AND UNIT AT RATED AC LINE INPUT, ADJUST INPUT SIGNAL, GAIN CONTROL, AND MASTER VOLUME CONTROL TO VERIFY 200 WATTS AT <math>\le 1.0x</math> T.H.D.

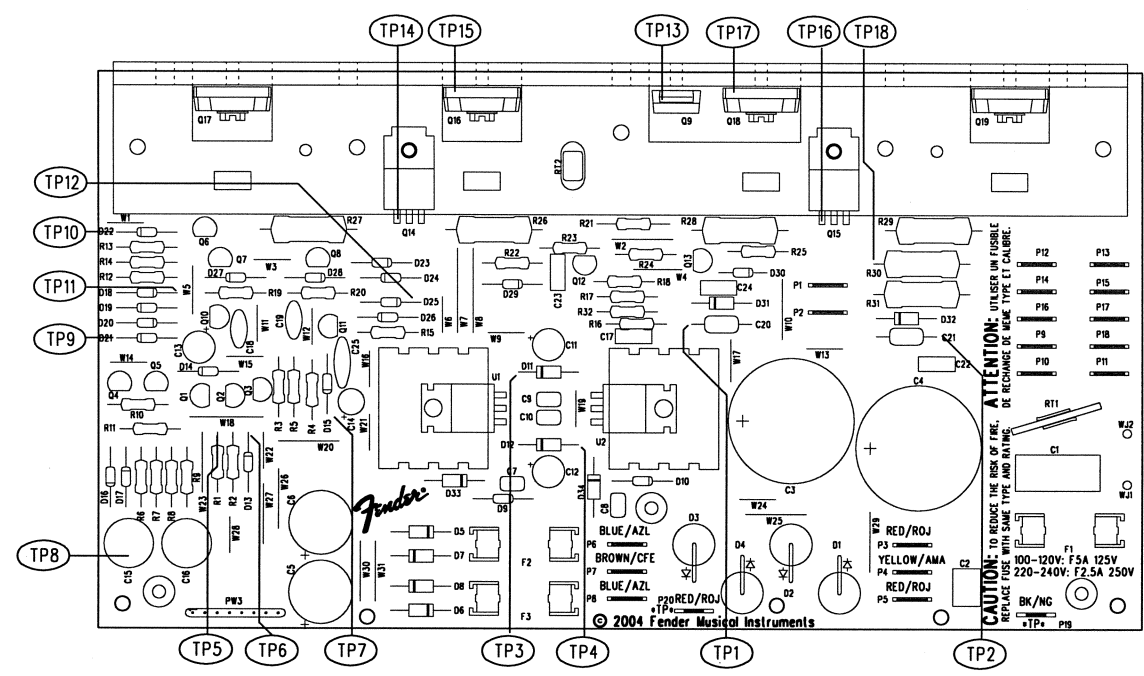


- 8. COMPONENTS NOT INSTALLED (NS): C17, R32
- 7. LAST INSTANCES: C24, CS2, D34, F3, P20, PW3, Q19, R31, RT2, U2, WJ2
- 6. AC AND DC MEASUREMENTS READ TO GROUND WITH A DVM UNDER THE FOLLOWING CONDITIONS:  
 UNIT IS POWERED AT RATED LINE VOLTAGE AND FREQUENCY  
 4 OHM RESISTIVE LOAD CONNECTED ACROSS P1-P2  
 NO INPUT SIGNAL FOR TEST POINTS TP1-7 & TP19
- ADDITIONAL CONDITIONS FOR TEST POINTS TP8-18:  
 PREAMP PCB ASSY SHOULD BE SET UP PER ITS SERVICE DIAGRAM (BASSMAN 200 P/N 005580000. STEEL KING P/N 0064343000.)  
 INPUT 100mVAC RMS SINEWAVE INTO PREAMP PCB ASSY - J1 ("INPUT")  
 NOTE: PW3 INTERCONNECTS TO P3 ON PREAMP PCB ASSY (BASSMAN 200 P/N 0055799000. STEEL KING P/N 0064345000.)
- 5. THIS SCHEMATIC IS FOR PCB FAB P/N 0055791000 AND PCB ASSY P/N 0055792000.
- 4. ALL DIODES 1N4448.
- 3. ALL POLARIZED CAPACITORS IN  $\mu F$ , 20% 50V MINIMUM.
- 2. ALL UNPOLARIZED CAPACITORS IN  $\mu F$ , 10% OR BETTER; 50V MINIMUM. (POWER SUPPLY BYPASS CAPACITORS ARE 20%).
- 1. ALL RESISTORS IN OHMS, 5% 1/4W.

THIS DOCUMENT CONTAINS INFORMATION OF A PROPRIETARY NATURE TO FENDER MUSICAL INSTRUMENTS AND IS SUBMITTED TO YOU IN CONFIDENCE AND SHALL NOT BE DISCLOSED OR TRANSMITTED TO OTHERS WITHOUT AUTHORIZATION FROM FENDER MUSICAL INSTRUMENTS.		<b>MUSICAL INSTRUMENTS</b> Corona, CA U. S. A.	
CHECKED BY: <i>[Signature]</i> DATE: 6/11/2004			
APPROVED BY: <i>[Signature]</i> DATE: 6/1/2014		SIZE: <b>D</b> DRAWING NUMBER: <b>0055793000</b>	
DRAWN: R. HAACK ENGR: R. HAACK DATABASE FILE: Z41952.SCH		REV. <b>G</b> RELEASE DATE: 17-JAN-04 SHEET: 1 OF 2	

8 | 7 | 6 | 5 | 4 | 3 | 2 | 1

D  
C  
B  
A



FILM/DWG: SERVICE DIAGRAM  
 DATABASE: Z419P3.PCB DATE: 07-MAY-04

- 2. RIBBON CABLE AT PW3 CONNECTS TO PREAMP PCB ASSY P3
- 1. SEE SHEET 1 FOR PRIMARY WIRING, TEST CONDITIONS, AND TEST POINT VALUES

NOTES: (UNLESS OTHERWISE NOTED)

REVISIONS			
REV.	DESCRIPTION	DATE	APPROVED
A	PR419	17-JAN-00	R B H
B	EC2468	24-APR-00	R B H
C	EC2522	09-AUG-00	R B H
D	EC2706	30-JAN-02	R B H
E	EC2987	12-SEP-03	R B H
F	PR411	07-MAY-04	S M M
G	EC 3101	20-MAY-04	S M M

THIS DOCUMENT CONTAINS INFORMATION OF A PROPRIETARY NATURE TO FENDER MUSICAL INSTRUMENTS AND IS SUBMITTED TO YOU IN CONFIDENCE AND SHALL NOT BE DISCLOSED OR TRANSMITTED TO OTHERS WITHOUT AUTHORIZATION FROM FENDER MUSICAL INSTRUMENTS.		MUSICAL INSTRUMENTS Corona, CA U. S. A.	
CHECKED BY: <i>[Signature]</i> DATE: <i>6/17/04</i>		TITLE: SERVICE DIAGRAM, COMBINED (PCB assy) BASSMAN 200 POWER AMP	
APPROVED BY: <i>[Signature]</i> DATE: <i>6/17/04</i>		SIZE: <b>C</b>	DRAWING NUMBER: <b>0055793000</b>
DRAWN: R. HAACK    ENGR: R. HAACK		RELEASE DATE: 17-JAN-00	REV. <b>G</b> SHEET 2 OF 2
DATABASE FILE: Z419P3.PCB			

8 | 7 | 6 | 5 | 4 | 3 | 2 | 1