

BASSMAN 60

p/n 022-4502-000 (120V)

SERVICE MANUAL



CONTENTS:

- Notices
- Specifications
- Parts lists:
 - PCB assembly
 - Chassis assembly
 - Cabinet assembly
 - End item
- Schematics/diagrams

BASSMAN 60
(This is the model name for warranty claims)

SERVICE MANUAL

MARCH 2000

IMPORTANT NOTICE:

The information contained herein is CONFIDENTIAL and PROPRIETARY to Fender Musical Instruments Corp. It is disclosed solely for use by qualified technicians for purposes of equipment maintenance and service. It is not to be disclosed to others without the expressed permission of Fender Musical Instruments Co. All specifications subject to change without notice.

For warranty repair service, only Fender specified part numbers are to be used. It is recommended they also be used for post-warranty maintenance and repair.

Parts marked with an asterisk (*) indicate the required use of that specific part. This is necessary for RELIABILITY and SAFETY requirements. **DO NOT USE A SUBSTITUTE!**

A coded naming convention is used in the description of certain parts. The codes and what they mean are as follows:

CAPACITOR CODES

CAP AE = Aluminum Electrolytic
CAP CA = Ceramic Axial
CAP CD = Ceramic Disk
CAP MPF = Metalized Polyester Film
CAP MY = Mylar
CAP PFF = Polyester Film/Foil

RESISTOR CODES

RES CC = Carbon Comp
RES CF = Carbon Film
RES FP = Flame Proof
RES MF = Metal Film
RES WW = Wire Wound

HARDWARE CODES

BLX = Black Oxide
CR = Chrome Plated
HWH = Hex Washer Head
M = Machine Screw
NI = Nickel Plated
OHP = Oval Head Phillips
PB = Particle Board
PHP = Pan Head Phillips
PHPS = Pan Head Phillips Sems
SMA = Sheet Metal "A" Point
SMB = Sheet Metal "B" Point
SS = Stainless Steel
TF = Thread Forming
ZI = Zinc Plated

BASSMAN 60

SPECIFICATIONS

Product Release No.:	PR 421 <i>(This is not a model number)</i>	
Part Number:	120V Version :	22-4502
	240V Aus :	22-4532
	230V UK :	22-4542
	230V Eur :	22-4562
	100V :	22-4572
Power Requirements:	180W	
Power Amp Section		
Power output:	60 Watts RMS into 8 Ω @ <1% THD	
Sensitivity:	.77V RMS	
Preamp Section		
Input impedance:	Passive: 1M Ω	Active: 1M Ω
Sensitivity for full power:	Passive: 18mV	Active: 35mV
Nominal level:	Passive: 160mV	Active: 310mV
Tone Controls:	Treble: +/-15 dB @ 5kHz	
Semi-parametric control:}	{Mid frequency: 150 to 1500 Hz}	
	{Mid level: +/-15dB @ Mid frequency setting}	
	Bass: +/-15 dB @ 50 Hz	
Effects Loop:		
Send impedance:	1k Ω	
Return impedance:	22k Ω	
Nominal level:	+4dBu	
Speaker Complement:	One 8 Ω Fender Special Design 12" woofer (P/N 0047539000) One Piezo Horn (P/N 0053641000)	
Dimensions:	Height: 20 1/2"	(52.1 cm)
	Width: 20"	(50.8 cm)
	Depth: 17 1/2"	(44.5 cm)
Weight:	50 lbs.	(22.5 kg)

Product specifications are subject to change without notice

BASSMAN 60

SERVICE NOTES

1. **HORN REPLACEMENT** requires speaker removal in order to access horn wiring. If wire ties, clamps, etc. are removed for ease of connecting/disconnecting horn wires, these must be replaced to prevent buzzing at higher power levels.

2. **CHASSIS REMOVAL** is accomplished by first removing six (4) screws from the top, and one (1) screw from each side of the cabinet; then slide the chassis toward the rear just far enough to provide access to the speaker wiring. **Note: The speaker wires are tied to a chassis lance, and must be re-tied after servicing (for safety compliance).** Locate the speaker wires (white goes to P1, black goes to P2 of the power-amp board) and disconnect them.

It should be noted that the speaker wires have been glued in place inside the speaker baffle (for sound quality reasons), if this is disturbed during disassembly, it should be restored by removing the speaker, and working through the speaker hole; leave sufficient slack to allow reassembly of the speaker leads to the chassis.

For reference, the red wires from the transformer go to P3 & P5. The red/yellow wire goes to P4.

PARTS LIST

NOTE: SHADED ITEMS ARE FOR REFERENCE ONLY

PRINTED CIRCUIT BOARD ASSEMBLY

QTY	PART #	DESCRIPTION	REFERENCE DESIGNATION
7	0026517001	CAP AE AX 2.2uF 50V 20%	C28-29 C42 C55-58
2	0038691001	CAP AE AX 4.7uF 50V 20%	C2 C7
13	0025960001	CAP AE AX 22uF 16V 20%	C5 C13 C20-22 C25 C30 C33-34 C37 C40 C43 C83
4	0049521000	CAP AE AX 47uF 50V 20%	C48 C51 C71-72
1	0038694000	CAP AE AX 100uF 16V 20%	C41
2	0031069003	CAP AE RDL 10uF 100V 20%	C52-53
2	0041048000	CAP AE RDL 2200uF 50V 20%	C69-70
5	0042001001	CAP CA 33pF 100V LL	C6 C11 C19 C26-27
2	0039256001	CAP CA 68pF 100V LL	C44-45
2	0038699001	CAP CA 100pF 100V LL	C38 C60
2	0038874001	CAP CA 560pF 50V LL	C23-24
2	0051405003	CAP CD 120pF 500V 5%	C35-36
1	0051960003	CAP CD 180pF 500V 10%	C1
15	0034788003	CAP CR .1uF 50V 20% .2" LS	C31-32 C46-47 C59 C61 C74-82
1	0027255003	CAP MPF .001uF 100V 10%	C12
1	0027257003	CAP MPF .0022uF 100V 10%	C39
2	0027259003	CAP MPF .0033uF 100V 10%	C10 C17
1	0027261003	CAP MPF .0047uF 100V 10%	C18
1	0027262003	CAP MPF .0068uF 100V 10%	C8
1	0027265003	CAP MPF .015uF 100V 10%	C9
3	0027264003	CAP MPF .01uF 100V 10%	C15 C49-50

BASSMAN 60
PRINTED CIRCUIT BOARD ASSEMBLY (cont)

QTY	PART #	DESCRIPTION	REFERENCE DESIGNATION
1	0027270003	CAP MPF .033uF 100V 10%	C16
3	0027272003	CAP MPF .047uF 63V 10%	C62-63 C65
2	0052003003	CAP MPF .1uF 250V 10%	C67-68
1	0053860000	CAP MPF .1uF 250VAC 20%	C73
3	0027278003	CAP MPF .1uF 63V 10%	C3-4 C54
3	0027286003	CAP MPF .47uF 63V 10%	C14 C64 C66
1	0051020000	CTRL SNAPIN 100k 10C DUAL	R32 (Mid-freq)
4	0034720000	CONTROL SNAPIN 100k B	R14 R24 R27 R36 (Volume,Bass,Mid-level,Treble)
2	0064089001	DIODE 1N4003 LL	D31-32
38	0006260001	DIODE 1N4448 SIGNAL LL	D1-15 D17 D19-22 D25-27 D30 D33-39 D41-45 D47-48
4	0029045000	DIODE 6A 400V 6A4 LEAD FORMED	D50-53
2	0025821001	DIODE HV FDH400 SWITCHING	D23-24
2	0031729001	DIODE ZEN 1N5231B 5.1V 5% LL	D28-29
2	0031635001	DIODE ZEN 1N5240B 10V 5% LL	D16 D18
2	0028119000	DIODE ZEN 1N5353B 16V 5W 5%	D54-55
3	0026000000	FASTON TAB, .187"	P6 P8 P10
10	0025802000	FASTON TAB, .250"	P1-5 P7 P9 P11-13
2	0020775000	FUSE CLIP PCB 5mm	F1
3	0031611000	IC OP-AMP DUAL PC4560	U5 U8-9
5	0016795000	IC OP-AMP DUAL TL072	U1-4 U7
1	0027404000	IC OTA CA3080AE	U6
1	0027387000	INDUCTOR AIR CORE RDL 2.5uH	L1
2	0051658000	JACK MONO R/A	J2 J4 (Speaker,Tuner)
3	0053450000	JACK STEREO R/A	J1 J5-6 (Input,FX retrn,FX send)
1	0054261000	XLR CONNECTOR MALE RT ANGLE	J3 (Line out)
1	0030755000	LED GREEN T-1 3mm DIFFUSED	D56
3	0049948000	LED RED LONG LEAD LUMEX	D40 D46 D49
4	0036178000	SPACER LED .5X.1 BRN A6192-1	@ D40 D46 D49 & D56
1	0055646000	PCB FAB. BASSMAN 60	
6	0024937001	RES CF 1/4W 5% 10ohm LL	R60 R95-96 R144-146
3	0024947001	RES CF 1/4W 5% 47ohm LL	R73-74 R79
1	0024952001	RES CF 1/4W 5% 100ohm LL	R68
4	0024961001	RES CF 1/4W 5% 470ohm LL	R71-72 R82-83
1	0024963001	RES CF 1/4W 5% 680ohm LL	R141
9	0024965001	RES CF 1/4W 5% 1k LL	R46-48 R51 R59 R69 R81 R100-101
1	0024967001	RES CF 1/4W 5% 1.2k LL	R113
4	0024971001	RES CF 1/4W 5% 2.2k LL	R89-92
2	0024972001	RES CF 1/4W 5% 2.7k LL	R99 R102
3	0024973001	RES CF 1/4W 5% 3.3k LL	R1 R56-57
11	0024977001	RES CF 1/4W 5% 4.7k LL	R10-12 R15 R22 R39 R65 R77 R80 R118 R122
1	0024978001	RES CF 1/4W 5% 5.6k LL	R25
3	0024979001	RES CF 1/4W 5% 6.8k LL	R37 R119 R121
1	0024980001	RES CF 1/4W 5% 8.2k LL	R108
22	0024981001	RES CF 1/4W 5% 10k LL	R3 R5 R33-35 R40-43 R54-55 R67 R76 + R110-111 R124 R128-R130 R132 R136-137
4	0024986001	RES CF 1/4W 5% 18k LL	R114-117
8	0024987001	RES CF 1/4W 5% 22k LL	R17 R61-64 R75 R134 R139
4	0024988001	RES CF 1/4W 5% 27k LL	R18 R20 R70 R84
3	0024989001	RES CF 1/4W 5% 33k LL	R66 R109 R112
1	0024991001	RES CF 1/4W 5% 39k LL	R19

BASSMAN 60
PRINTED CIRCUIT BOARD ASSEMBLY (cont)

QTY	PART #	DESCRIPTION	REFERENCE DESIGNATION
8	0024993001	RES CF 1/4W 5% 47k LL	R6-8 R21 R23 R38 R52 R78
2	0024994001	RES CF 1/4W 5% 56k LL	R9 R125
2	0024995001	RES CF 1/4W 5% 68k LL	R30-31
1	0024996001	RES CF 1/4W 5% 82k LL	R16
10	0024997001	RES CF 1/4W 5% 100k LL	R28-29 R44-45 R49-50 R53 R58 R133 R148
1	0024998001	RES CF 1/4W 5% 120k LL	R120
1	0024999001	RES CF 1/4W 5% 150k LL	R13
2	0025059001	RES CF 1/4W 5% 220k LL	R138 R140
3	0025063001	RES CF 1/4W 5% 390k LL	R2 R4 R26
1	0025069001	RES CF 1/4W 5% 1M LL	R135
1	0025075001	RES CF 1/4W 5% 2.2M LL	R126
1	0025084001	RES CF 1/4W 5% 10M LL	R123
5	0051040001	RES FP 1/4 47OHM 5%	R85-86 R97-98 R103
3	0026549001	RES CF 1/2W 5% 1.5k LL	R88 R93 R127
1	0028861001	RES CF 1/2W 5% 3.3k LL	R147
1	0027627001	RES FILM 1W 5% 10ohm LL	R107
1	0029722001	RES FILM 1W 5% 1k LL	R131
2	0037354001	RES FILM 1W 5% 4.7k LL	R87 R94
1	0051417001	RES MOX 2W 5% 22ohm LL	R106
2	0027478000	RES WW 5W 10% .22ohm	R104-105
2	0041256000	RES WW 5W 10% 470ohm	R142-143
4	0028091000	SWITCH PUSH SLFLK SHORT STROKE	S1-4 (Active/Passive,Enhance,Mute,Limiter)
4	0048451000	BUTTON PUSH WHITE	@ S1-4
1	0051418003	THERMAL SENSOR PTC 100 DEG C	RT1
1	0040987000	CABLE RIBBON 10 CKT 3.75"	PW16
1	0027419000	HDR .1 CTR 10 CKT SQ PIN	P16
1	0055349000	HEATSINK PLATE, DELUXE 90	HS1
2	0040903000	INSULATOR MICA TO-218	@ Q18-19
2	0032908000	SCRW TF 6-32X3/8 PHP ZI	@ HS1/PCB
4	0027638000	SCRW TF4-40X3/8 HWHS ZI	@ Q16-19
2	0032937000	WSHR CONE	@ Q18-19
REF	0025936000	STANDOFF NYL PCB SNAP 3/8"	ST 1-4
1	0028760000	XSTR NPN 2SC4793/2SC3298B	Q16
1	0028759000	XSTR PNP 2SA1306A TO-220P	Q17
1	0054418000	XSTR NPN 2SC3263 MT-100	Q18
1	0054417000	XSTR PNP 2SA1294 MT-100	Q19
1	0014689003	XSTR N-CH JFET J111 TO-92	Q1
2	0016739003	XSTR NPN 2N4401 TO-92	Q14 Q22
4	0025751003	XSTR NPN 2SC2362K/2SC2389STPS	Q2-3 Q6 Q9
1	0051448003	XSTR NPN 2SD1857	Q12
1	0014867003	XSTR NPN MPSW42 TO-92	Q11
5	0016742003	XSTR PNP 2N4403 TO-92	Q4-5 Q15 Q21 Q23
2	0025752003	XSTR PNP 2SA1038STPS	Q7-8
1	0051447003	XSTR PNP 2SB1236	Q13
1	0014408003	XSTR PNP DARLNGTN MPSA63 TO-92	Q20
1	0014866003	XSTR PNP MPSW92 TO-226AE	Q10

BASSMAN 60 CHASSIS ASSEMBLY

QTY	PART #	DESCRIPTION	REFERENCE DESIGNATION
1	0020789000	FUSE QA 20mmx5mm 250v 1A	230V EUR
1	0020794000	FUSE QA 20mmx5mm 250v 2A	100V/120V
1	0054318000	HEATSINK BAR, PRNCTN 65/ DLX 90	
1	0054642000	CONN IEC SNAPIN	
1	0055643000	CHASSIS BASSMAN 60	
1	0055644000	PANEL, FRONT, BASSMAN 60	
1	0055645000	PANEL, REAR, BASSMAN 60	
1	0055647000	PCB ASSEMBLY, BASSMAN 60	
5	0055776000	KNOB, ROTARY, BASSMAN AMPS	
5	0033206000	BUSHING KNOB SPACER	
1	0038900000	SCRW TF 6-32X1/4 PHP ZI	@Gnd Lug
1	0053479000	NUT HEX 7/16 20X1/8 NI	@input jack
1	0053480000	WASHER FLAT .442 X.692 NI	@input jack
3	0028500000	SCRW TF 8-32x3/4 HWH SLTD ZI	@ Heatsink
1	0028560000	END BELL XFMR 85W	@Xfmr
4	0028591000	NUT ACORN 8-32	@Xfmr
4	0028937000	SCRW TF 6-32x5/8 PHP ZI TAPTYT	@Standoff
4	0030007000	WSHR LCK INTL 8x.330x.02 ZI	@Xfmr
2	0051155000	SCRW SMB #4X3/8 PHP BLX	@ XLR jack
6	0051404000	STANDOFF NYLON BLK .375	
4	0025936000	STANDOFF NYL PCB SNAP 3/8"	
4	0055838000	NUT, PLASTIC REAN	
1	0025935000	SWITCH DPST .187 TAB (DOM)	100V/120V
1	0039287000	SWITCH DPST .187 TAB GLOBA	230V EUR
1	0027668000	XFMR PWR 120v 85W	DOMESTIC
1	0039357000	XFMR PWR EXP DEL112/ROC PRO	EXPORT

END ITEM ASSEMBLY

QTY	PART #	DESCRIPTION	REFERENCE DESIGNATION
1	0055622000	CABINET ASSEMBLY BASSMAN 60	
1	0055638000	CHASSIS ASSY BASSMAN 60 120V	
1	0055639000	CHASSIS ASSY BASSMAN 60 230V	
1	0055642000	CHASSIS ASSY BASSMAN 60 100V	
1	0050850000	NAMEPLATE VINTAGE PLASTIC SMALL	
1	0047248000	CORD PWR W/IEC CONN DOM	120V
1	0053997000	CORD PWR W/IEC CONN 100V	100V
1	0047249000	CORD PWR W/IEC CONN 230V UK	230V UK
1	0047250000	CORD PWR W/IEC CONN 240V	240V
1	0047251000	CORD PWR W/IEC CONN 230V	230V EURO
1	0053641000	HORN PIEZO LTB 12 SPKR	
1	0055831000	GASKET, HORN, BASSMAN SERIES	
1	0047539000	SPEAKER 12" 8Ω BXR60	
2	0016352000	NUT HEX 3/8-32x3/32 TK NI	@logo
4	0024052000	SCRW SMA 6-x5/8 PHP BLX	@horn
4	0026577000	SCRW M 10-32x1 PHP BLX	@speakers
10	0036112000	SCRW SMAB 6x1-1/4 OHP BLX w/WS	@grille

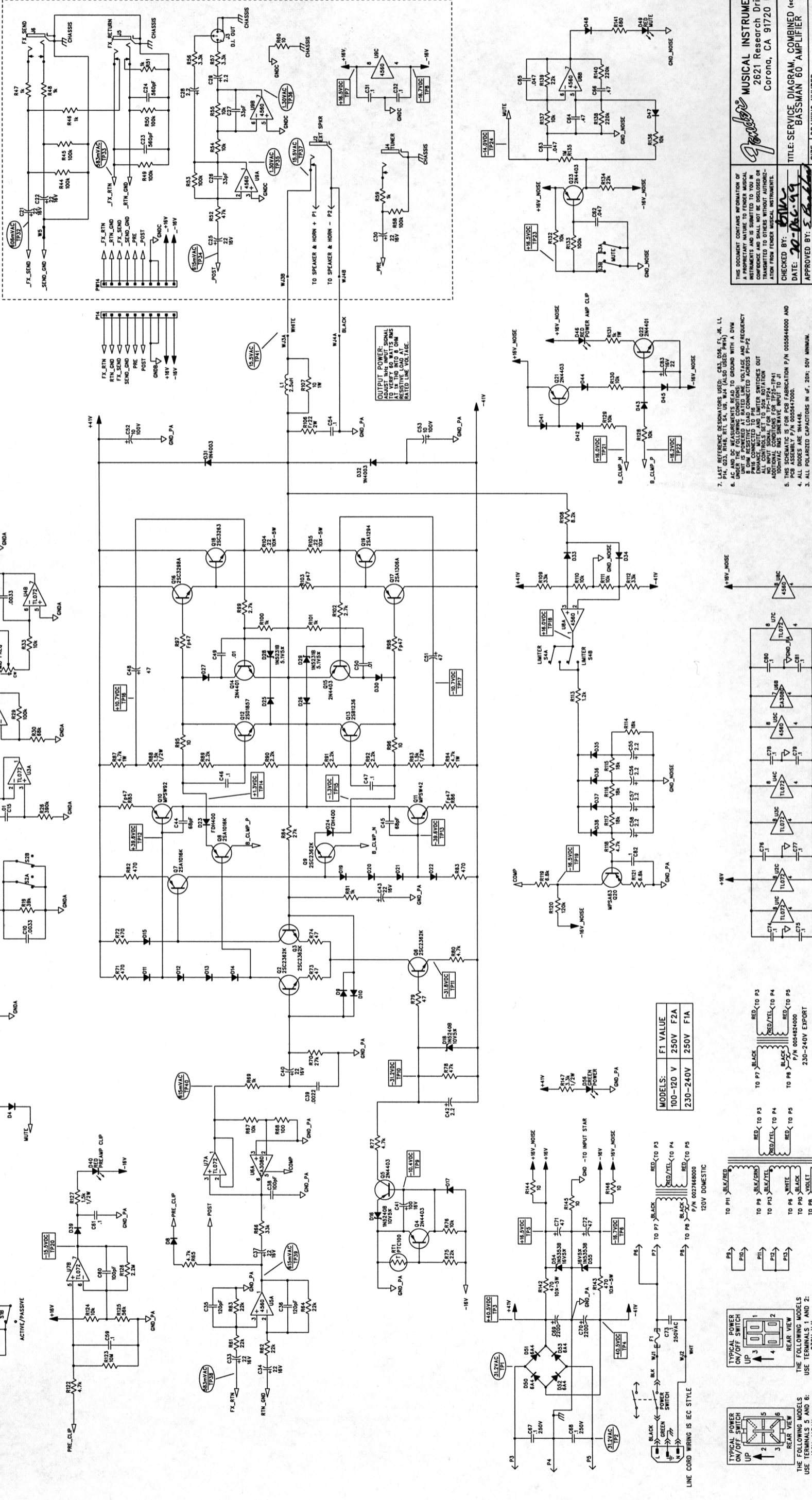
BASSMAN 60
END ITEM ASSEMBLY (cont)

QTY	PART #	DESCRIPTION	REFERENCE DESIGNATION
6	0036199000	SCRW M 8-32x1-3/16 OHP BLX	@chassis
2	0050312000	SCRW 2-56X3/8 FHP NI	@logo
6	0029527000	WSHR FNSH 8-5/8 FLNGD BLX WX	@chassis
1	0055672000	GRILLE, METAL, BASSMAN 60	
1	0055731000	LOGO, DOME, BASSMAN AMPS	

REV.	DESCRIPTION	DATE	APPROVED
A	PR421	03-SEP-99	S.B.
B	EC 2382	15-DEC-99	S.B.

1 2 3 4 5 6 7 8

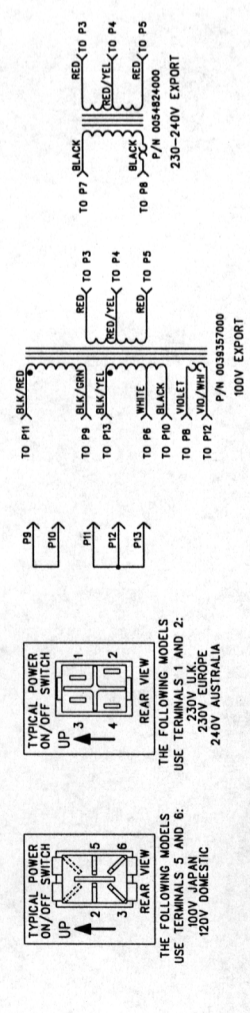
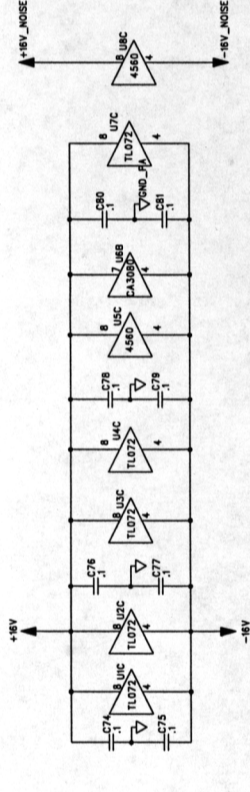
BACK PANEL CIRCUITRY



MUSICAL INSTRUMENTS
 2621 Research Drive
 Corona, CA 91720 USA

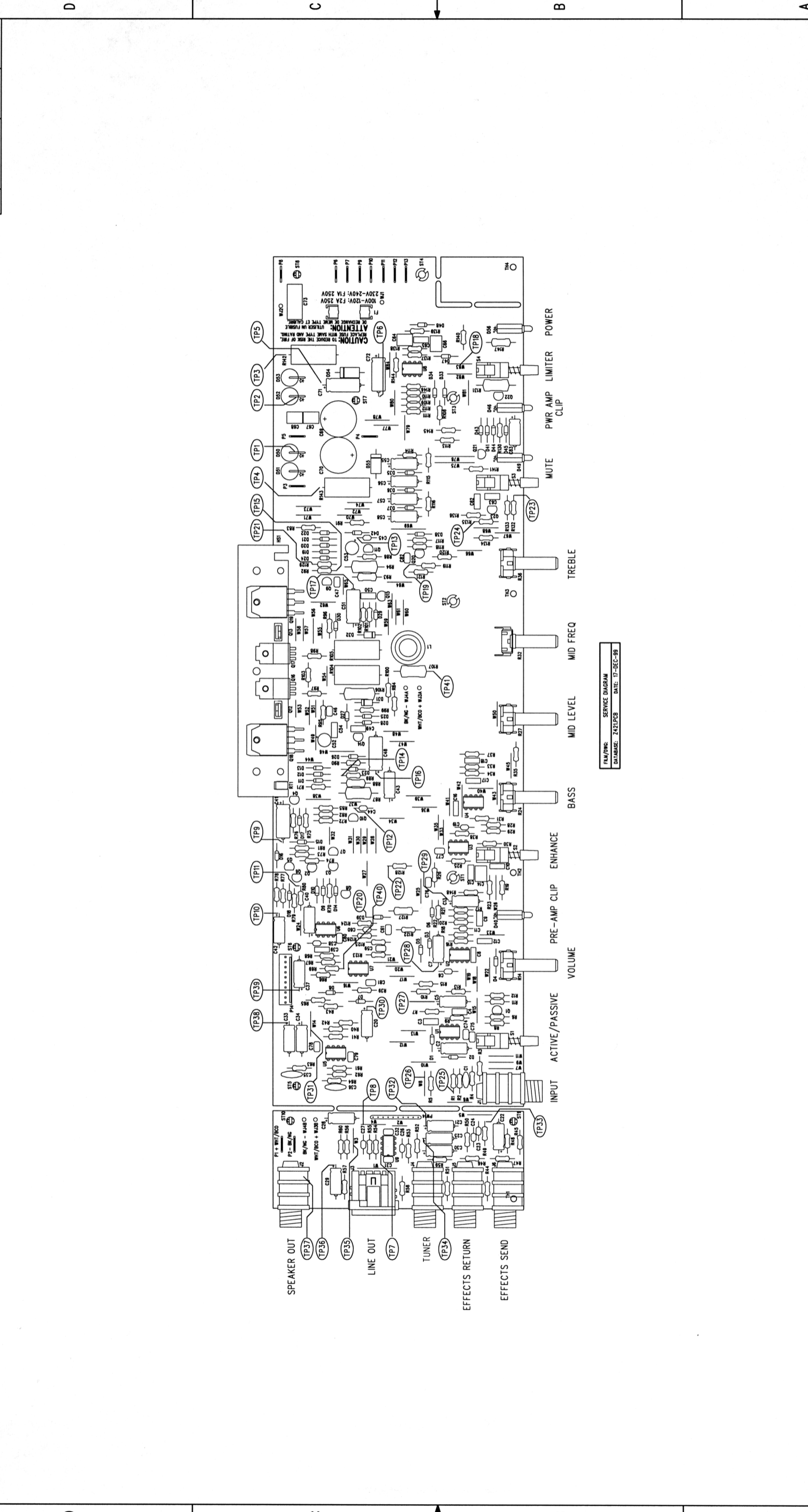
DATE: 20-Dec-99
CHECKED BY: S.B.
APPROVED BY: S.B.
DRAWN: S.B./D.L./C.H. S.B./D.L./C.H.
SIZE: DRAWING NUMBER
D 005564800
REV.: B
RELEASE DATE: 03-SEP-99
SHEET: 1 OF 2

- 7. LAST REFERENCE DESIGNATORS USED: C53, D54, F1, J6, L1.
 - 8. AC AND DC MEASUREMENTS READ TO GROUND WITH A DVM UNIT IS POWERED AT BATED LINE VOLTAGE AND FREQUENCY.
 - 9. ALL MEASUREMENTS MADE WITH THE INSTRUMENTS LISTED IN THE PARTS LIST. CONNECTIONS TO P1-P2 ENHANCE, MUTE, AND LIMITER SWITCHES OUT.
 - 10. ALL MEASUREMENTS MADE WITH THE INSTRUMENTS LISTED IN THE PARTS LIST. CONNECTIONS TO P1-P2, P3-P4, AND P5-P6 ARE MADE TO THE CORRECT TERMINALS.
 - 11. ALL MEASUREMENTS MADE WITH THE INSTRUMENTS LISTED IN THE PARTS LIST. CONNECTIONS TO P1-P2, P3-P4, AND P5-P6 ARE MADE TO THE CORRECT TERMINALS.
 - 12. THIS SCHEMATIC IS FOR PCB FABRICATION P/N 005564800 AND 005564801.
 - 13. ALL POLARIZED CAPACITORS IN P1, P2, P3, P4, P5, P6, P7, P8, AND P9 ARE 50V MINIMUM.
 - 14. ALL POLARIZED CAPACITORS IN P1, P2, P3, P4, P5, P6, P7, P8, AND P9 ARE 50V MINIMUM.
 - 15. ALL RESISTORS IN OHMS, 5% TOLERANCE.
 - 16. ALL RESISTORS IN OHMS, 5% TOLERANCE.
- NOTES: (UNLESS OTHERWISE NOTED)



8 7 6 5 4 3 2 1

REVISIONS			
REV.	DESCRIPTION	DATE	APPROVED
A	PR 421	03-SEP-99	S.B.
B	EC 2382	17-DEC-99	S.B.



THIS DOCUMENT CONTAINS INFORMATION OF A PROPRIETARY NATURE TO FENDER MUSICAL INSTRUMENTS AND IS SUBMITTED TO YOU IN CONFIDENCE AND SHALL NOT BE DISCLOSED OR REPRODUCED IN ANY MANNER WITHOUT THE WRITTEN PERMISSION OF FENDER MUSICAL INSTRUMENTS.

CHECKED BY: *D. Wain*
 APPROVED BY: *S. Bushwood*
 DATE: 20-DEC-99
 DRAWN: S. Bushwood ENGR: S. Bushwood
 DATABASE FILE: z421pcb

MUSICAL INSTRUMENTS
 2621 Research Drive
 Corona, CA 91720 USA

TITLE: SERVICE DIAGRAM, COMBINED (PCB 60ssy)
 BASSMAN 60 AMPLIFIER

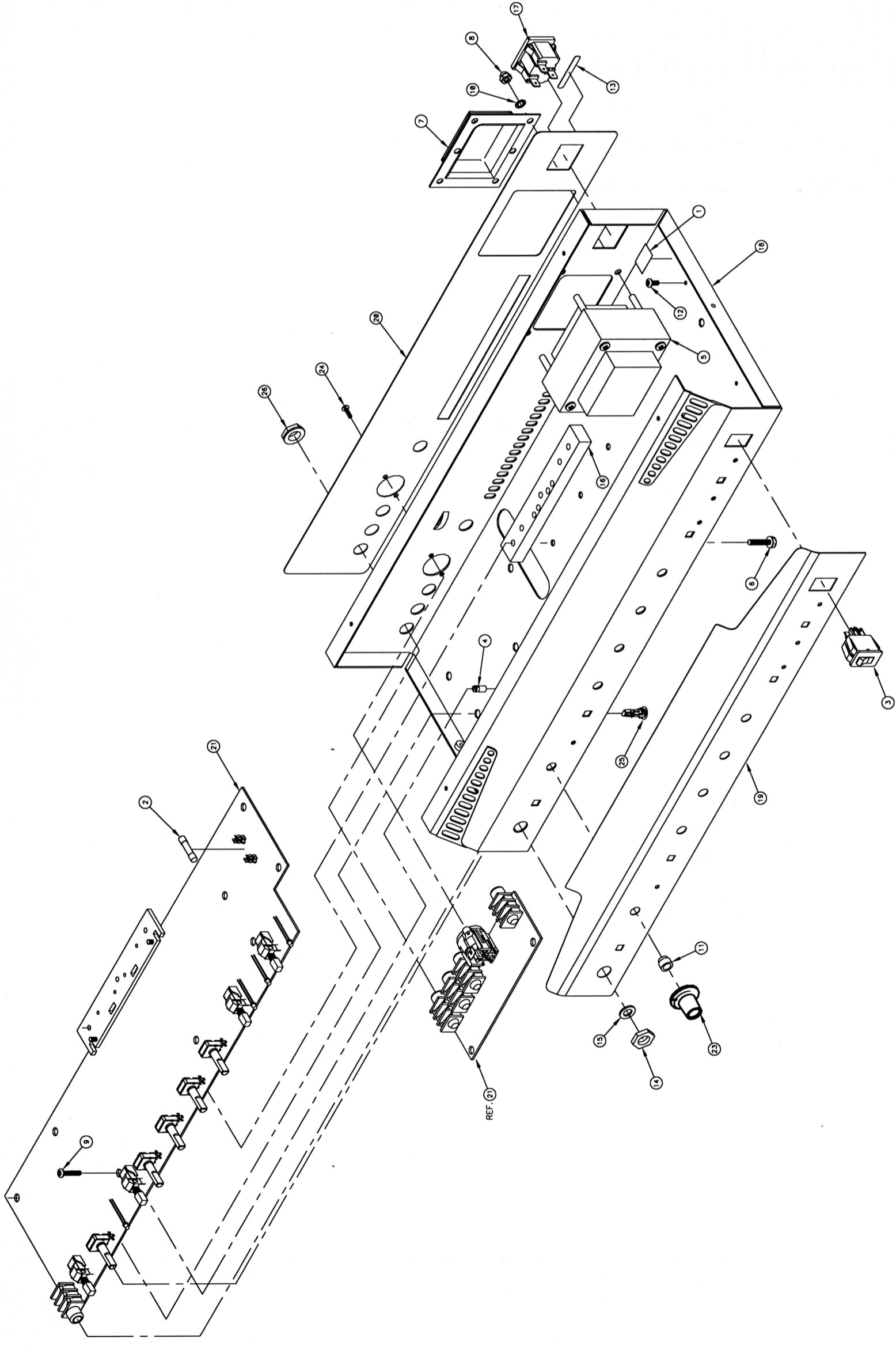
SIZE: DRAWING NUMBER: D 0055648000
 REV. B

RELEASE DATE: 03-SEP-99 SHEET 2 OF 2

1. SEE SHEET 1 FOR PRIMARY WIRING, TEST CONDITIONS, AND TEST POINT VALUES
 NOTES: (UNLESS OTHERWISE NOTED)

THIS DOCUMENT CONTAINS PROPRIETARY INFORMATION OF FENDER MUSICAL INSTRUMENTS AND IS SUBMITTED TO YOU IN CONFIDENCE AND SHALL NOT BE DISCLOSED TO OTHERS WITHOUT AUTHORIZATION FROM FENDER MUSICAL INSTRUMENTS CORP.

REV	DATE	BY	APP'D
A	PR 421	CHG	9/7/99
B	5/23/02 5/16/99	CHG	12/16/99
		BW	



(N.S.) = NOT SHOWN

26	4	00055838000	NUT PLASTIC REAN
25	6	00051484000	STANDOFF NYLON BLK .375
24	2	00051155000	SCRW SMB #x3/8 PHP BLX
23	5	00055776000	KnOB ROTARY BASSMAN AMPS
22	1	00055651000	WIRESSET CHASSIS BASSMAN 60 (N.S.)
21	1	00055647000	PCB ASSEMBLY BASSMAN 60
20	1	00055645000	PANEL REAR BASSMAN 60
19	1	00055644000	PANEL FRONT BASSMAN 60
18	1	00055643000	CHASSIS BASSMAN 60
17	1	00054642000	CONNECTOR IEC SNAP IN
16	1	00054318000	HEATSINK BAR PRNCTON 65/DLX 90
15	1	00053480000	WASHER FLAT .442 X.692 NI
14	1	00053479000	NUT HEX 7/16 20X1/8 NI
13	1	SEE MATRIX	LABEL VOLTAGE
12	1	00038900000	SCRW TF 6-32X1/4 PHP ZI
11	5	00033206000	BUSHING KNOB SPACER
10	4	00030007000	WSHR LCK INTL 8x.338x.02 ZI
9	4	00028937000	SCRW TF 6-32x5/8 PHP ZI TAPTYT
8	4	00028591000	NUT ACORN 8-32
7	1	00028560000	END BELL XFMR 85w
6	3	00028500000	SCRW TF 8-32x3/4 HWH SLTD Z1
5	1	SEE MATRIX	XFMR
4	4	00025936000	STANDOFF NYL PCB SNAP 3/8" NAT
3	1	SEE MATRIX	SWITCH
2	1	SEE MATRIX	FUSE
1	1	00013020000	LABEL GROUNDING SEMKO

ITEM QTY. PART NO. DESCRIPTION

ENGINEER: FENDER
BANKHEAD
DRAWN: GOOLER
DATE: 8/16/99

REV. B
CHASSIS ASSEMBLY, BASSMAN 60
DRAWING NUMBER 0055638000
SHEET SIZE D
SCALE 1/1
MASTER/ASSEMBLY

MATRIX

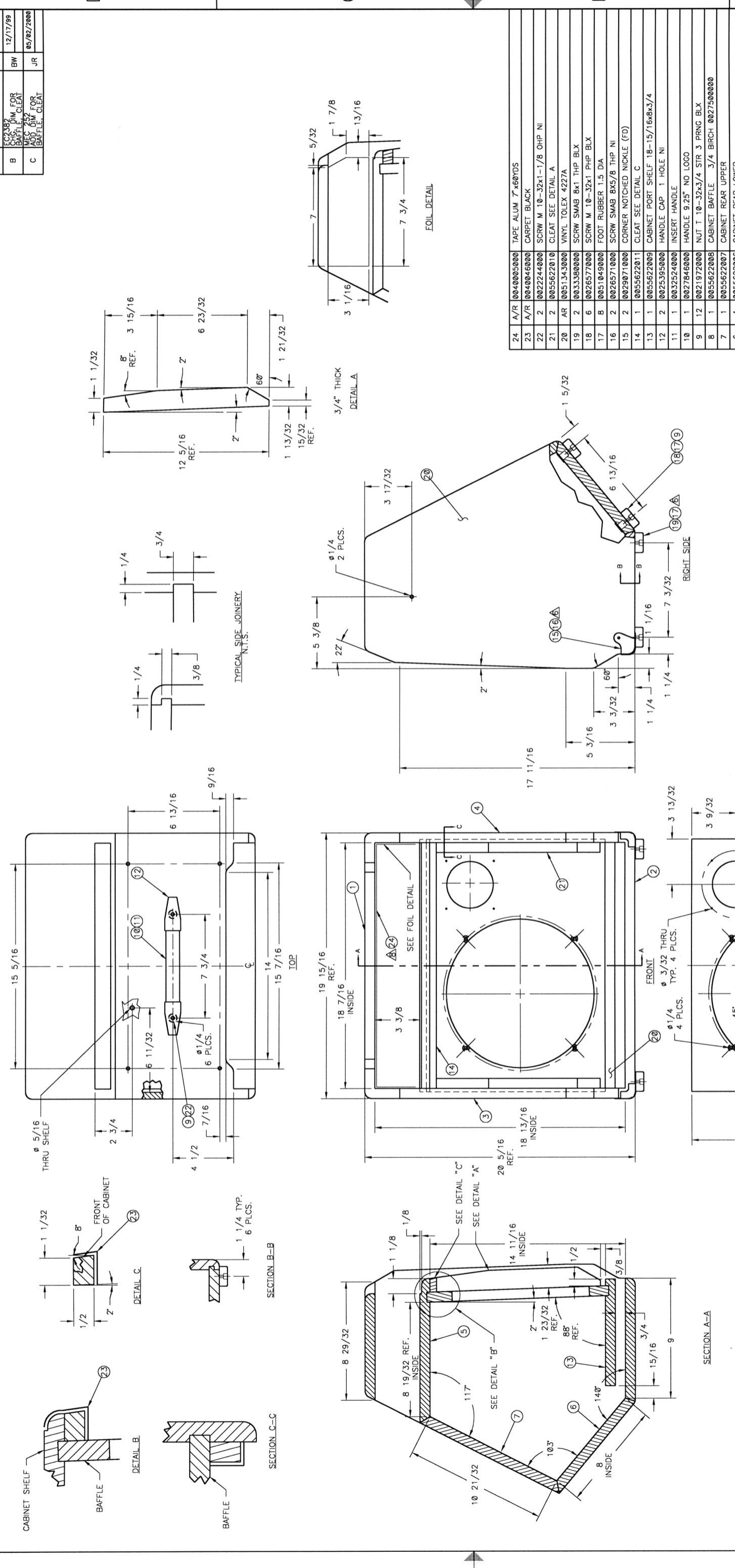
13	LABEL VOLTAGE	00050507000	3
5	XFMR	0027668000	7
3	SWITCH	0054824000	4
2	FUSE	0025935000	2
	CHASSIS ASSY.	0020794000	1
		BASSMAN 60 120V DCN	6
		0020794000	2
		BASSMAN 60 230V EUR	7
		00055638000	8
		00055638000	1
		BASSMAN 60 100V JPN	3
		00055638000	4
		BASSMAN 60	5
		00055638000	6
		BASSMAN 60	7
		00055638000	8

- 4. COPYRIGHT - 1999 - FENDER MUSICAL INSTRUMENTS CORP.
- 3. - 3 - SAMPLES OF FIRST PARTS MUST BE APPROVED BY FENDER R&D BEFORE STARTING PRODUCTION.
- 2. ALL DIMENSIONS ARE IN INCHES.
- 1. DO NOT SCALE DRAWING.
- NOTES: UNLESS OTHERWISE NOTED

8 7 6 5 4 3 2 1

THIS DOCUMENT CONTAINS PROPRIETARY INFORMATION OF FENDER MUSICAL INSTRUMENTS CORP. WHICH IS NOT TO BE DISCLOSED OR TRANSMITTED TO OTHERS WITHOUT AUTHORIZATION FROM FENDER MUSICAL INSTRUMENTS CORP.

REV	LC NUMBER	BY	CHK	DATE
A	PR 421	GHG		9/1/98
B	CHG DIM FOR BAFFLE, CLEAT	BW		12/17/99
C	MEC 252 ADD DIM FOR BAFFLE, CLEAT	JR		05/02/2000



A/R	DESCRIPTION	QTY.	UNIT	REMARKS
24	A/R 004005000	1	TAPE ALUM 7"x60"YDS	
23	A/R 004004600	1	CARPET BLACK	
22	2	002224400	SCRW M 10-32x1-1/8 OHP NI	
21	2	005562201	CLEAT SEE DETAIL A	
20	AR	005134300	VINYL TOLEX 4227A	
19	2	003338000	SCRW SMAB 8x1 THP BLX	
18	6	002657700	SCRW M 10-32x1 PHP BLX	
17	8	005104900	FOOT RUBBER 1.5 DIA	
16	2	002657100	SCRW SMAB 8x5/8 THP NI	
15	2	002907100	CORNER NOTCHED NICKLE (FD)	
14	1	005562201	CLEAT SEE DETAIL C	
13	1	005562200	CABINET PORT SHELF 18-15/16x8x3/4	
12	2	002539500	HANDLE CAP 1 HOLE NI	
11	1	003252400	INSERT HANDLE	
10	1	002784600	HANDLE 9.25" NO LOGO	
9	12	002197200	NUT T 10-32x3/4 STR 3 PRNG BLX	
8	1	005562208	CABINET BAFFLE 3/4 BIRCH 0027500000	
7	1	005562207	CABINET REAR UPPER	
6	1	005562206	CABINET REAR LOWER	
5	1	005562205	CABINET SHELF	
4	1	005562204	CABINET SIDE RIGHT	
3	1	005562203	CABINET SIDE LEFT	
2	1	005562202	CABINET BOTTOM	
1	1	005562201	CABINET TOP	

ENGINEER	MARSHALL
DRAWN	GOOLER
DATE	11/14/98
DMT. ENG. ENG.	SP
DATE	DATE
APPROVED	APPROVED
DATE	DATE

ITEM	QTY.	PART NO.	DESCRIPTION
MATERIAL			
0027502000 3/4 P.B.			
FINISH			
PAINT ALL SURFACES BLACK			

TOL.	UNLESS NOTED
FRACT.	+ - 1/32
X	+ - 0.050
XXX	+ - 0.10
ANGLES	+ - 0.5 DEGREES
HOLE DIA.	+0.005 - 0.001
UNMARKED ANGLES ARE 90 DEGREES.	

REV.	REVISION
C	ASSEMBLY

9. PAINT PORT SHELF, ITEM #13, BLACK BEFORE ASSEMBLY OF CABINET.
10. STAPLE FOIL AT CORNERS AND MIDDLE.
11. FEET AND HANDLE NOT SHOWN IN ALL VIEWS FOR CLARITY.
12. MOUNT FRONT FEET USING BOTTOM CORNER SCREW HOLE WITH ITEM #19.
13. ALL CORNER RADII TO BE 1/2".
14. COPYRIGHT - 2000 - FENDER MUSICAL INSTRUMENTS CORP.
15. - 3 - SAMPLES OF FIRST PARTS MUST BE APPROVED BY FENDER R&D BEFORE STARTING PRODUCTION.
16. ALL DIMENSIONS ARE IN INCHES.
17. 1. DO NOT SCALE DRAWING.
18. NOTES: UNLESS OTHERWISE NOTED

0055622000

ASSEMBLY

D

1/1

N/A

C

REV.

DRAWING NUMBER

CABINET ASSEMBLY

BASSMAN 60

FENDER MUSICAL INSTRUMENTS CORP.

CORONA, CALIFORNIA U.S.A.

Fender

0055622000

05/02/2000

12/17/99

9/1/98

0040046000

0040050000

0027846000

0021972000

005562208

005562207

005562206

005562205

005562204

005562203

005562202

005562201

003252400

0027846000

002539500

002539500

005562200

005562201

002907100

002657100

005104900

002657700

003338000

005134300

005562201

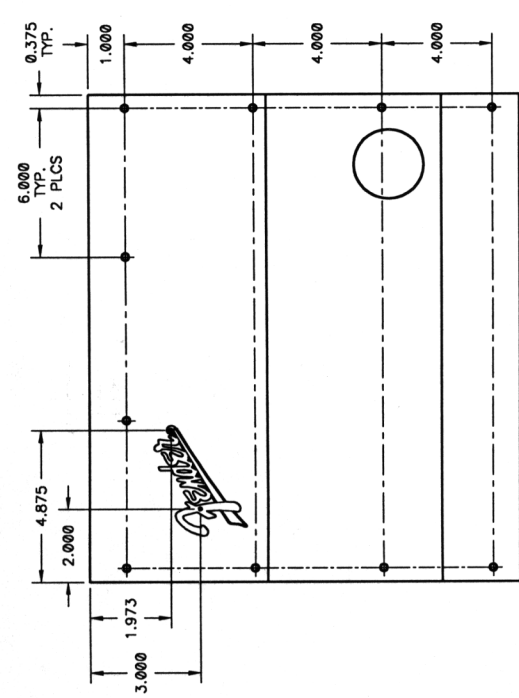
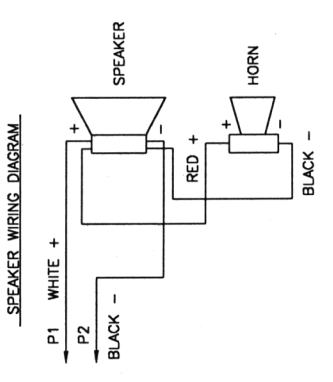
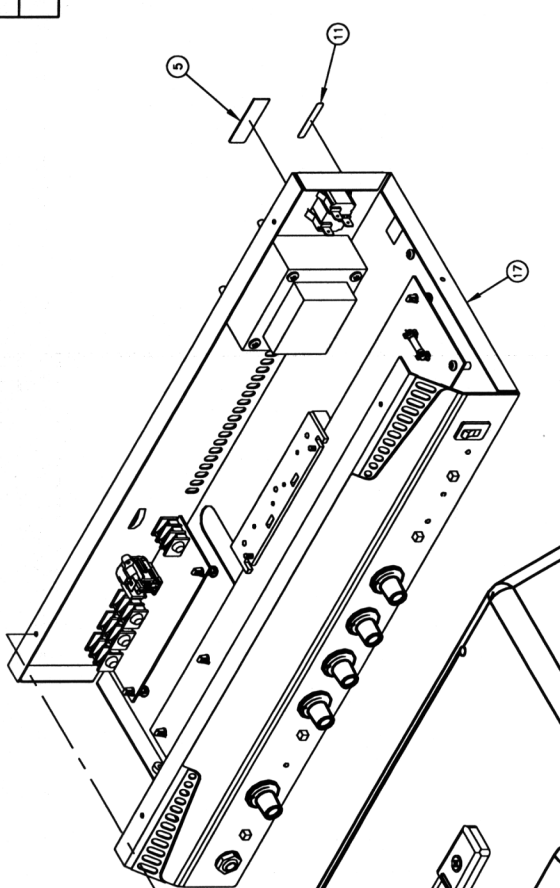
002224400

004004600

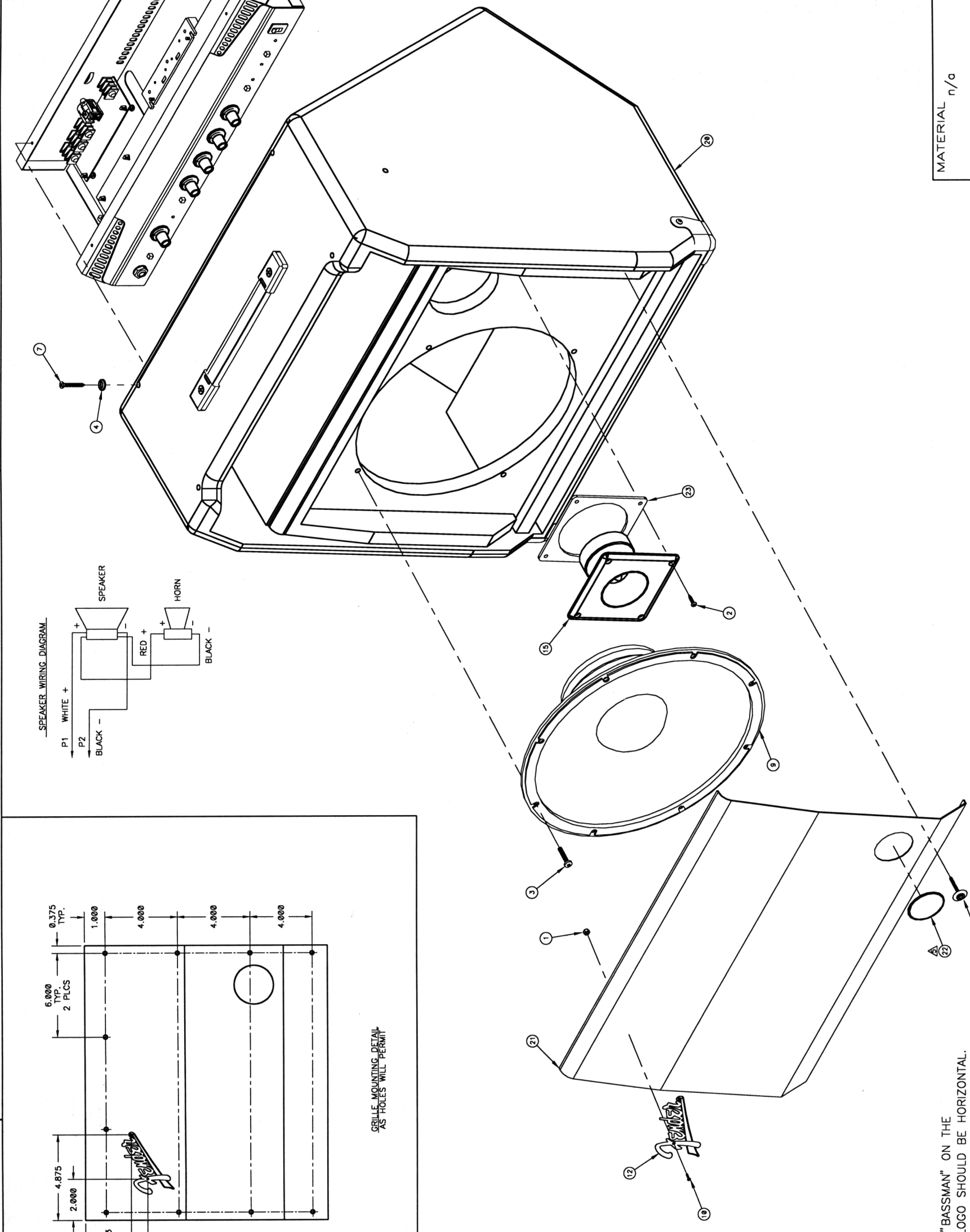
004005000

THIS DOCUMENT CONTAINS PROPRIETARY INFORMATION OF FENDER MUSICAL INSTRUMENTS CORP. AND IS LOANED TO YOU IN CONFIDENCE. IT IS NOT TO BE REPRODUCED OR TRANSMITTED IN ANY FORM OR BY ANY MEANS, WITHOUT THE EXPRESS WRITTEN PERMISSION OF FENDER MUSICAL INSTRUMENTS CORP.

REV	DESCRIPTION	DATE
A	PR 421	9/2/99
B	EC2382 - ADD SPKR WIRING DIAGRAM	12/20/99



GRILLE MOUNTING DETAIL AS HOLES WILL PERMIT



(N.S.)=NOT SHOWN

28	1	0056315000	CARTON BASSMAN 60 (N.S.)
29	A/R	0055719000	INSTAMATE PACK FILM (N.S.)
27	A/R	0055718000	FLEX FOAM PART "B" (N.S.)
27	A/R	0055717000	FLEX FOAM PART "A" (N.S.)
26	1	0010032000	BAG POLY BOX BTM 23x17x40 .002
25	1	9903320000	BAG POLY ZIP 10x13 2M (N.S.)
24	1	9903311400	BAG JIFFY #1 7-1/4x12 (N.S.)
23	1	0055831000	GASKET HORN BASSMAN AMPS
22	1	0055731000	LOGO BADGE BASSMAN AMPS
21	1	0055672000	GRILLE BASSMAN 60
20	1	0055622000	CABINET ASSEMBLY BASSMAN 60
19	1	0055649000	MANUAL OWNERS BASSMAN 60 (N.S.)
18	1	0055648000	SVC DIAGRAM COMB BASSMAN 60 (N.S.)
17	1	SEE MATRIX	CHASSIS
16	1	SEE MATRIX	REGISTRATION CARD (N.S.)
15	1	0053641000	HORN PIEZO LTB 12 SPKR
14	1	0053454000	STICKER BUMPER FEND SINCE 1946 (N.S.)
13	1	SEE MATRIX	TAG (N.S.)
12	1	0050850000	NAMEPLATE VINTAGE PLASTIC SMAL
11	1	SEE MATRIX	LABEL VOLTAGE
10	2	0050312000	SCRW 2-56X3/8 FHP NI
9	1	0047539000	SPKR 12" 8M 75W (099-4812-004)
8	1	SEE MATRIX	CORD (N.S.)
7	6	0036199000	SCRW M 8-32x1-3/16 OHP BLX CP
6	10	0036112000	SCRW SMAB 6x1-1/4 OHP BLX W/WS
5	1	0029816000	LABEL SERIAL MEXICO
4	6	0029527000	WSHR FNH 8-5/8 FLNGD BLX WX
3	4	0026577000	SCRW M 10-32x1 PHP BLX
2	4	0024052000	SCRW SMA 6-x5/8 PHP BLX
1	2	0050311000	NUT 2-56 NYLON INSERT ZCNME-Z

ENGINEER	BANKHEAD
DRAWN	COOLER
DATE	8/19/99
DF	ENG. 58
DATE	12/14/99
APPROVED	J. Bankhead
DATE	12/21/99

MATERIAL	n/a
FINISH	n/a

17	CHASSIS	0055638000	0055639000	0055639000	0055642000
16	REGISTRATION CARD	0054387000	-	-	-
13	TAG	0053412000	-	-	-
11	LABEL VOLTAGE	0050505000	0050506000	0050506000	-
10	CORD	0047248000	0047251000	0047250000	0053997000
9	END ITEM	BASSMAN 60 230V EUR	BASSMAN 60 230V U.K.	BASSMAN 60 240V AUST.	BASSMAN 60 100V JPN
		0224502000	0224542000	0224532000	0224572000

TITLE	END ITEM, BASSMAN 60	
SHEET	1/1	DRAWING NUMBER 0224502000
SCALE	N/A	REV. B

5. THE WORD "BASSMAN" ON THE BASSMAN LOGO SHOULD BE HORIZONTAL.
 4. COPYRIGHT - 1999 - FENDER MUSICAL INSTRUMENTS CORP.
 3. - 3 - SAMPLES OF FIRST PARTS MUST BE APPROVED BY FENDER R&D BEFORE STARTING PRODUCTION.
 2. ALL DIMENSIONS ARE IN INCHES.
 1. DO NOT SCALE DRAWING.
 NOTES: UNLESS OTHERWISE NOTED