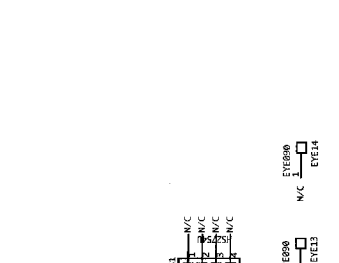
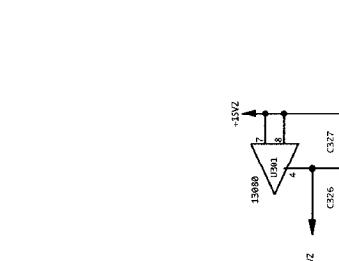
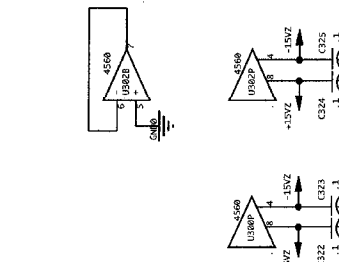
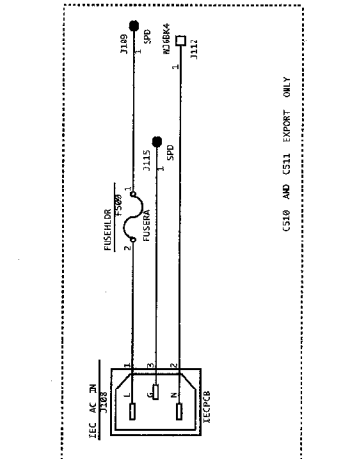
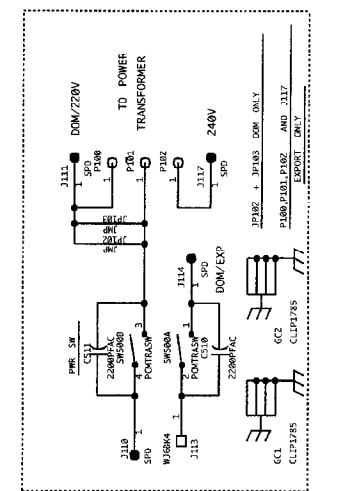
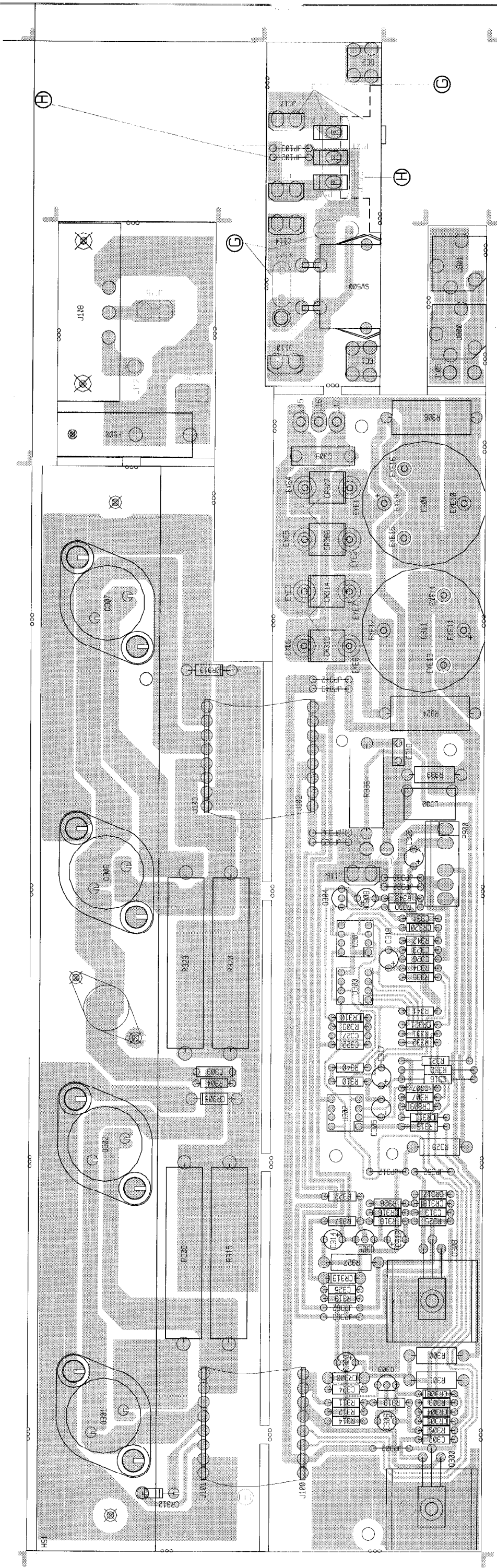


NOTICE: THIS CIRCUITRY IS PROTECTED BY U.S. PATENT NOS. 4,318,875 OWNED BY PEAVEY ELECTRONICS CORP. USE OR COPYING WITHOUT EXPRESS AUTHORITY FROM PEAVEY ELECTRONICS CORP. VIOLATORS WILL BE PROSECUTED TO THE FULLEST EXTENT ALLOWED UNDER U.S. PATENT LAWS.



PROJECT: D		DATE: 2-1-62	
DRAWN: P. W. H. / J. W. H.		REV: 1	
TITLE: XR560 POWER AMP		SHEET: 1 OF 2	
PEAVEY ELECTRONICS CORP. 711 A STREET MAYFIELD, MASSACHUSETTS 01938			



⊕ -DO NOT INSERT FOR EXPORT
 ⊙ -DO NOT INSERT FOR DOMESTIC

150M POWER AMP

BOARD NAME:	150K PWR AMP	PART NUMBER	DESCRIPTION AND DEV-CE DESIGNATIONS	4 SPD	73716194	73716194	73716194	250 PC MNT SPADE .093 PCB	100	100	70240010	100-1/4W-5%-CF-T&R	
** QTY. NAME	VALUE	NUMBER	DESCRIPTION AND DEV-CE DESIGNATIONS	HIDMNI	71466214	71466214	71466214	J114, J115, J116, J117	1	10K	70240025	10K-1/4W-5%-CF-T&R	
*****	*****	*****	*****	1	1.5UH	70519907	70519907	J800, J801	1	22K	70240029	22K-1/4W-5%-CF-T&R	
*****	*****	*****	*****	3	SPXIU	SPXIU	SPXIU	1.5 MICRO H 10% COIL	1	PCMTASW	PCMTASW	71322377	PC MOUNT PIHT ANGLE POWER SWITCH
*****	*****	*****	*****	1	SPX6K3U	SPX6K3U	SPX6K3U	P100, P101, P102	1	4560	4560	70414560	4560 DUAL OP AMP IC
*****	*****	*****	*****	1	5331HS	5331	5331	P900	1	13080	13080	70413080	LM3080N CUSTOM SELECTED
*****	*****	*****	*****	2	84140	84140	84140	SJE-5331 CASE-77 NPN W/ HEATSINK	1	4560	4560	70414560	4560 DUAL OP AMP IC
*****	*****	*****	*****	1	6530	6531	6531	SJ-84140 NPN 4A 140V TO-3	*****	*****	*****	*****	*****
*****	*****	*****	*****	1	576	576	576	Q301, Q302					
*****	*****	*****	*****	1	6534	6534	6534	MFS-6531 TO92 NPN TRANS.					
*****	*****	*****	*****	2	74140	74140	74140	576/2N5462 40V TO-92 P-FET T&A					
*****	*****	*****	*****	1	7036HS	7036	7036	Q304					
*****	*****	*****	*****	1	680W1	680W1	680W1	MFS-6533/34 TO-92 PNP TRANS T&A					
*****	*****	*****	*****	1	2.7KW1	2.7KW1	2.7KW1	SJ-74140 ENP 4A 140V TO-3					
*****	*****	*****	*****	1	1.5K	1.5K	1.5K	Q305					
*****	*****	*****	*****	1	180	180	180	Q306, Q307					
*****	*****	*****	*****	1	3.3K	3.3K	3.3K	SJE-7036 CASE-77 PNP XEISTOR W/HEATSINK					
*****	*****	*****	*****	1	2KW5	2KW5	2KW5	Q308					
*****	*****	*****	*****	1	33	33	33	580-1W-5%-MO-T&R					
*****	*****	*****	*****	1	.33W10	.33W10	.33W10	R300					
*****	*****	*****	*****	1	1M	1M	1M	R301					
*****	*****	*****	*****	1	1.3K	1.3K	1.3K	2.7K-1W-5%-MO-T&R					
*****	*****	*****	*****	1	180	180	180	R302					
*****	*****	*****	*****	1	100FP	100FP	100FP	R303					
*****	*****	*****	*****	1	10K	10K	10K	1.5K-1/4W-5%-CF-T&R					
*****	*****	*****	*****	1	.33W10	.33W10	.33W10	R304					
*****	*****	*****	*****	1	1M	1M	1M	180-1/4W-5%-CF-T&R					
*****	*****	*****	*****	1	1.3K	1.3K	1.3K	R305					
*****	*****	*****	*****	1	180	180	180	R306					
*****	*****	*****	*****	1	100FP	100FP	100FP	2K-5W-10%-MW-AXL					
*****	*****	*****	*****	1	10K	10K	10K	33-1/4W-5%-CF-T&R					
*****	*****	*****	*****	1	.33W10	.33W10	.33W10	R307					
*****	*****	*****	*****	1	1M	1M	1M	.33-10W-10%-MW-AXL					
*****	*****	*****	*****	1	1.3K	1.3K	1.3K	R308					
*****	*****	*****	*****	1	180	180	180	1M-1/4W-5%-CF-T&R					
*****	*****	*****	*****	1	100FP	100FP	100FP	R309					
*****	*****	*****	*****	1	10K	10K	10K	1.3K-1/4W-5%-CF-T&R					
*****	*****	*****	*****	1	.33W10	.33W10	.33W10	R310					
*****	*****	*****	*****	1	1M	1M	1M	180-1/4W-5%-CF-T&R					
*****	*****	*****	*****	1	1.3K	1.3K	1.3K	R311					
*****	*****	*****	*****	1	180	180	180	100FP-1/4W-5%-FP-T&R					
*****	*****	*****	*****	1	100FP	100FP	100FP	R312					
*****	*****	*****	*****	1	10K	10K	10K	10K-1/4W-5%-CF-T&R					
*****	*****	*****	*****	1	.33W10	.33W10	.33W10	R313					
*****	*****	*****	*****	1	1M	1M	1M	100FP-1/4W-5%-FP-T&R					
*****	*****	*****	*****	1	1.3K	1.3K	1.3K	R314					
*****	*****	*****	*****	1	180	180	180	10K-1/4W-5%-CF-T&R					
*****	*****	*****	*****	1	100FP	100FP	100FP	R315					
*****	*****	*****	*****	1	10K	10K	10K	.33-10W-10%-MW-AXL					
*****	*****	*****	*****	1	.33W10	.33W10	.33W10	R316					
*****	*****	*****	*****	1	1M	1M	1M	100FP-1/4W-5%-FP-T&R					
*****	*****	*****	*****	1	1.3K	1.3K	1.3K	R317					
*****	*****	*****	*****	1	180	180	180	10K-1/4W-5%-CF-T&R					
*****	*****	*****	*****	1	100FP	100FP	100FP	R318					
*****	*****	*****	*****	1	10K	10K	10K	100FP-1/4W-5%-FP-T&R					
*****	*****	*****	*****	1	.33W10	.33W10	.33W10	R319					
*****	*****	*****	*****	1	1M	1M	1M	.33-10W-10%-MW-AXL					
*****	*****	*****	*****	1	1.3K	1.3K	1.3K	R320					
*****	*****	*****	*****	1	180	180	180	10K-1/4W-5%-CF-T&R					
*****	*****	*****	*****	1	100FP	100FP	100FP	R321					
*****	*****	*****	*****	1	10K	10K	10K	100FP-1/4W-5%-FP-T&R					
*****	*****	*****	*****	1	.33W10	.33W10	.33W10	R322					
*****	*****	*****	*****	1	1M	1M	1M	.33-10W-10%-MW-AXL					
*****	*****	*****	*****	1	1.3K	1.3K	1.3K	R323					
*****	*****	*****	*****	1	180	180	180	2K-5W-10%-MW-AXL					
*****	*****	*****	*****	1	100FP	100FP	100FP	R324					
*****	*****	*****	*****	1	10K	10K	10K	100FP-1/4W-5%-FP-T&R					
*****	*****	*****	*****	1	.33W10	.33W10	.33W10	R325					
*****	*****	*****	*****	1	1M	1M	1M	3.3K-1/4W-5%-CF-T&R					
*****	*****	*****	*****	1	1.3K	1.3K	1.3K	R326					
*****	*****	*****	*****	1	180	180	180	1.5K-1/4W-5%-CF-T&R					
*****	*****	*****	*****	1	100FP	100FP	100FP	R327					
*****	*****	*****	*****	1	10K	10K	10K	100FP-1/4W-5%-FP-T&R					
*****	*****	*****	*****	1	.33W10	.33W10	.33W10	R328					
*****	*****	*****	*****	1	1M	1M	1M	2.7K-1W-5%-MO-T&R					
*****	*****	*****	*****	1	1.3K	1.3K	1.3K	580-1W-5%-MO-T&R					
*****	*****	*****	*****	1	180	180	180	R329					
*****	*****	*****	*****	1	100FP	100FP	100FP	33K-1/4W-5%-CF-T&R					
*****	*****	*****	*****	1	10K	10K	10K	R330					
*****	*****	*****	*****	1	.33W10	.33W10	.33W10	1K-1/4W-5%-CF-T&R					
*****	*****	*****	*****	1	1M	1M	1M	3331, R332					
*****	*****	*****	*****	1	1.3K	1.3K	1.3K	22-1W-5%-MO-T&R					
*****	*****	*****	*****	1	180	180	180	R333					
*****	*****	*****	*****	1	100FP	100FP	100FP	3.3K-1/4W-5%-CF-T&R					
*****	*****	*****	*****	1	10K	10K	10K	R334					
*****	*****	*****	*****	1	.33W10	.33W10	.33W10	1.3K-1/4W-5%-CF-T&R					
*****	*****	*****	*****	1	1M	1M	1M	5.6-5W-10%-MW-AXL					
*****	*****	*****	*****	1	1.3K	1.3K	1.3K	R335					
*****	*****	*****	*****	1	180	180	180	33K-1/4W-5%-CF-T&R					
*****	*****	*****	*****	1	100FP	100FP	100FP	R336					
*****	*****	*****	*****	1	10K	10K	10K	100FP-1/4W-5%-FP-T&R					
*****	*****	*****	*****	1	.33W10	.33W10	.33W10	R339					
*****	*****	*****	*****	1	1M	1M	1M	10K-1/4W-5%-CF-T&R					
*****	*****	*****	*****	1	1.3K	1.3K	1.3K	R340					
*****	*****	*****	*****	1	180	180	180	2200PF 400VAC					
*****	*****	*****	*****	1	100FP	100FP	100FP	C510, C511					
*****	*****	*****	*****	1	10K	10K	10K	SZG40102 15V 5% ZENER DIODE					
*****	*****	*****	*****	1	.33W10	.33W10	.33W10	CR300					
*****	*****	*****	*****	1	1M	1M	1M	1M4148 75V 10MA SILICON DIODE					
*****	*****	*****	*****	1	1.3K	1.3K	1.3K	CR301, CR304					
*****	*****	*****	*****	1	180	180	180	1N5393-RL 200V, 1.5-5% DIODE					
*****	*****	*****	*****	1	100FP	100FP	100FP	T&R					
*****	*****	*****	*****	1	10K	10K	10K	200V, 6A, SILICONE DIODE					
*****	*****	*****	*****	1	.33W10	.33W10	.33W10	CR306, CR307					
*****	*****	*****	*****	1	1M	1M	1M	1M4148 75V 10MA SILICON DIODE					
*****	*****	*****	*****	1	1.3K	1.3K	1.3K	CR308, CR309, CR310, CR311					
*****	*****	*****	*****	1	180	180	180	SZ-13886-2 DUAL DIODE					
*****	*****	*****	*****	1	100FP	100FP							