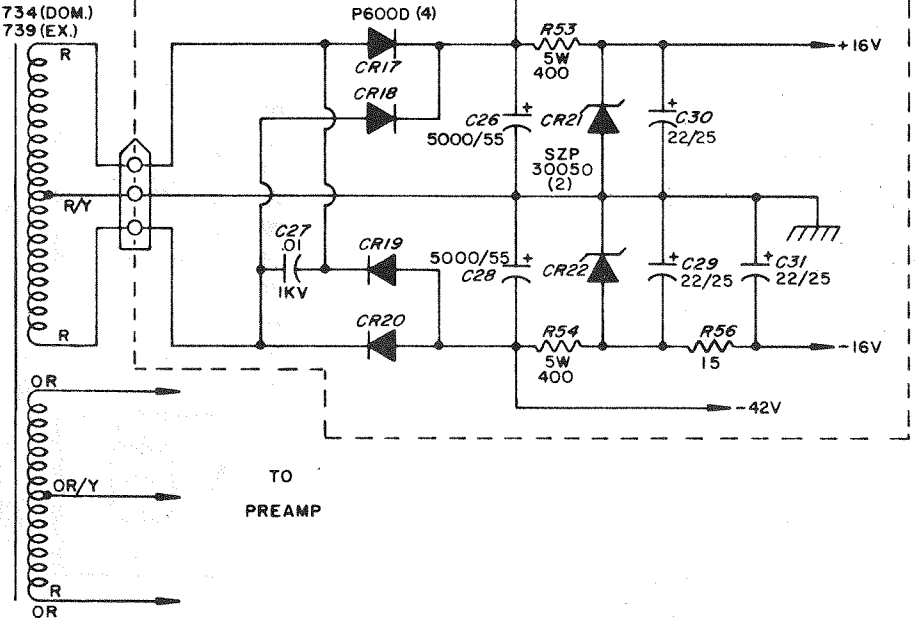
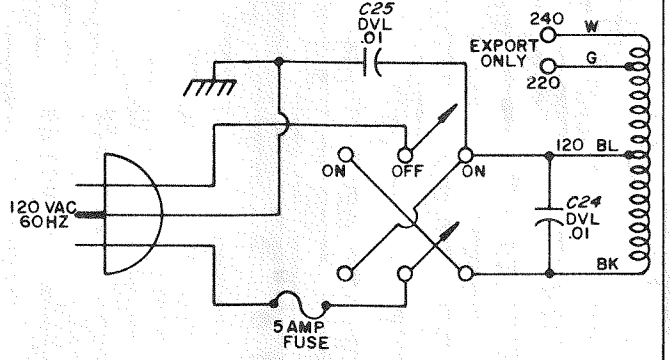


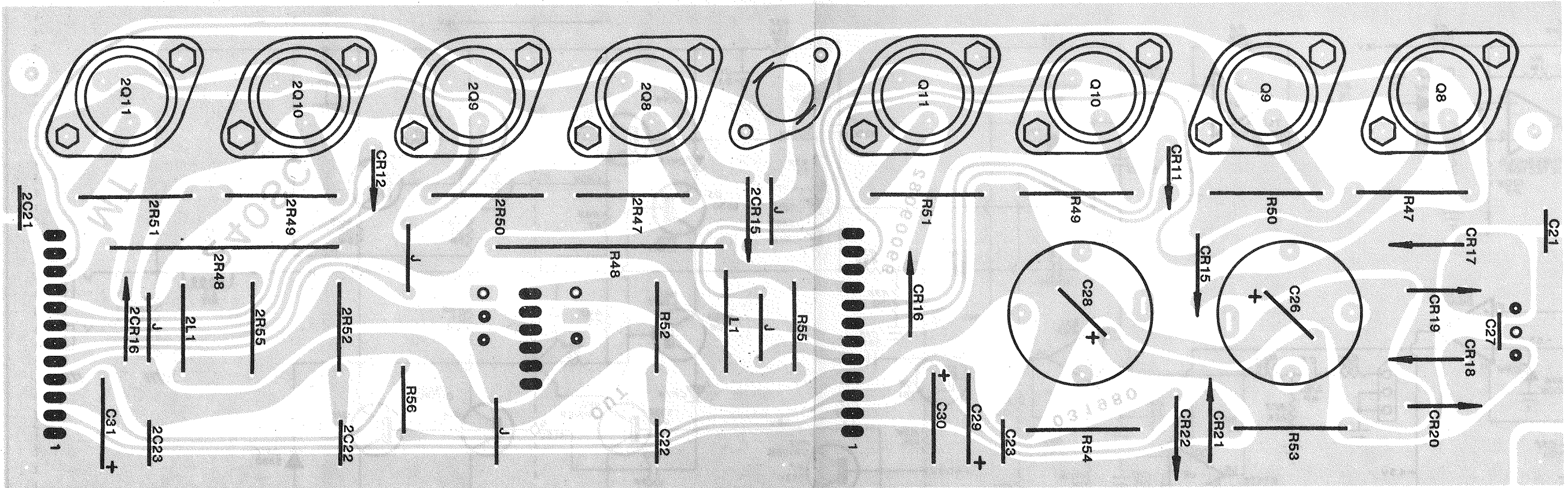
**240SC**  
BD. # 99009082-83

**NOTES**

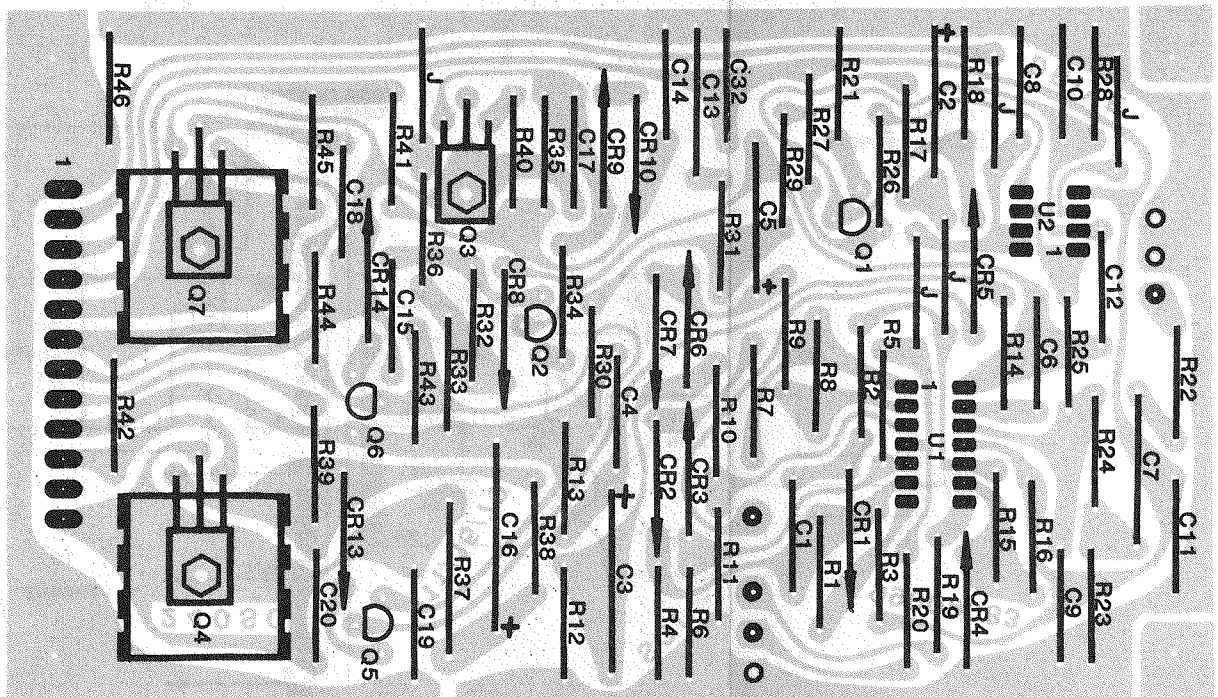
- ALL RESISTORS 1/4 W UNLESS NOTED
- ALL RESISTORS IN OHMS UNLESS NOTED
- ALL CAPACITORS IN MFD UNLESS NOTED
- ALL DIODES IN4148 UNLESS NOTED
- LAST REF. DESIGNATOR USED:
- R56 C31 CR20 Q11 L1
- USED ON XR-700 AND XR-800



PEAVEY ELECTRONICS CORP. MERIDIAN, MS.	
DRAWN BY	REB DATE 4-10-80
C.B. CHECK	REB
CHECK BY	REB
APPR. BY	REB



**240SC OUTPUT**



**240SC DRIVE**