

BILL OF MATERIAL REPORT

-----

REPORT DATE/TIME: 7/18/2005 1:09:19 PM

BOARD NAME: FX Channel ASSEMBLY LEVEL NUMBER: 99061600

PROJECT NUMBER: P0300087 DESIGNER: FJE

Qty.	Part #	Description	Reference Designators
8	602-70200166-1	RES SMD 0805 1/10W 5% 6.8K	R72 R73 R74 R75 R76 R77 R78 R79
72	602-70200168-1	RES SMD 0805 1/10W 5% 10K	R26 R27 R28 R29 R30 R31 R32 R33 R34 R35 R36 R37 R38 R39 R40 R41 R42 R43 R44 R45 R46 R47 R48 R49 R50 R51 R88 R89 R90 R91 R92 R93 R94 R95 R96 R97 R315 R316 R317 R318 R327 R328 R329 R330 R333 R334 R335 R336 R450 R451 R454 R455 R456 R457 R460 R461 R462 R463 R515 R516 R517 R518 R519 R520 R521 R522 R523 R524 R525 R526 R527 R528
96 R147	602-70200169-1	RES SMD 0805 1/10W 5% 22K	R142 R143 R146 R148 R149 R150 R151 R152 R153 R154 R155 R156 R157 R158 R159 R160 R161 R162 R163 R164 R165 R166 R167 R170 R171 R172 R173 R174 R175 R176 R177 R178 R179 R180 R181 R182 R183 R184 R185 R188 R189 R190 R191 R192 R193 R196 R197 R198 R199 R200 R201 R202 R203 R204 R205 R206 R209 R210 R211 R212 R213 R214 R217 R218 R219 R220 R221

			R222 R223 R224 R225 R226 R227 R228 R229 R230 R231 R232 R233 R234 R237 R238 R239 R240 R241 R242 R245 R246 R247 R248 R249 R250 R251 R252 R253
8 R325	602-70200170-1	RES SMD 0805 1/10W 5% 47K	R314 R319 R320 R326 R331 R332 R337
16 R381	602-70200172-1	RES SMD 0805 1/10W 5% 1K	R378 R379 R380 R382 R383 R384 R385 R386 R387 R388 R389 R390 R391 R392 R393
16	602-70200174-1	RES SMD 0805 1/10W 1% 10K	R84 R85 R86 R87 R321 R322 R323 R324 R466 R467 R468 R469 R529 R530 R531 R532
8	602-70200177-1	RES SMD 0805 1/10W 5% 1M	R1 R2 R3 R4 R5 R6 R7 R8
8	602-70200178-1	RES SMD 0805 1/10W 5% 100K	R98 R99 R100 R101 R102 R103 R104 R105
8 R289	602-70200212-1	RES SMD 0805 1/8W 1% 169K	R286 R287 R288 R290 R291 R292 R293
8 R131 R132 R133	602-K11401152-1	RES SMD 0805 1/8W 1% 11.5K T&R (KW000067)	R130 R134 R135 R136 R137
8 R303 R304 R305	602-K11402871-1	RES SMD 0805 1/8W 1% 2.87K T&R (KW000080)	R302 R306 R307 R308 R309
16 R53 R54 R55	602-K11408251-1	RES SMD 0805 1/8W 1% 8.25K T&R (KW000070)	R52 R56 R57 R58 R59 R60 R61 R62 R63 R64 R65 R66 R67

8	602-K11420000-1	RES SMD 0805 1/8W 5% 0R T&R (KW000105)	R278 R279
R280	R281		
			R282 R283 R284 R285
4	602-K11421202-1	RES SMD 0805 1/8W 5% 12K T&R (KW000008)	R503
R504	R505 R506		
8	602-K11422201-1	RES SMD 0805 1/8W 5% 2.2K T&R (KW000004)	R394
R395	R396 R397		
			R398 R399 R400 R401
8	602-K11422203-1	RES SMD 0805 1/8W 5% 220K T&R (KW000003)	R145
R168	R187 R194		
			R208 R215 R236 R243
16	70200035	470K 1/4W 5% MF 1206	R144 R169 R186 R195 R207 R216 R235 R244 R294 R295 R296 R297 R298 R299 R300 R301
16	70200251	4.75K 1/10W 1% MF 0805	R254 R255 R256 R257 R258 R259 R260 R261 R262 R263 R264 R265 R266 R267 R268 R269
64	70300085	0.1UF 50V 80-20% Z5U 0805	C129 C130 C131 C132 C147 C152 C155 C156 C167 C168 C175 C176 C177 C178 C179 C180 C181 C182 C183 C184 C185 C186 C187 C188 C195 C202 C203 C204 C205 C206 C207 C208 C209 C210 C211 C212 C213 C214 C215 C216 C217 C218 C219 C220 C221 C222 C223 C224 C229 C230 C231 C232 C233 C234 C235 C236 C237 C238 C239 C240 C241 C242 C247 C248
8	70300086	10PF 50V 5% NPO 0805	C1 C2 C3 C4 C5 C6 C7 C8
24	70300087	39PF 50V 5% NPO 0805	C97 C98 C99 C100 C101 C102 C103 C104 C257 C258 C259 C260 C285 C286 C287 C288

						C289 C290 C291 C292 C293 C294 C295 C296
8	70300089	220PF	50V	5%	NPO 0805	C133 C134 C135 C136 C137 C138 C139 C140
8	70300121	0.1UF	50V	5%	X7R 0805	C81 C82 C83 C84 C85 C86 C87 C88
8	70320184	2.2UF	50V	20%	ELN RAD	C121 C122 C123 C124 C125 C126 C127 C128
8	70320303	2700PF	50V	5%	PE RAD	C89 C90 C91 C92 C93 C94 C95 C96
88	70320344	47UF	35V	20%	EL RAD	C9 C10 C11 C12 C13 C14 C15 C16 C17 C18 C19 C20 C21 C22 C23 C24 C25 C26 C27 C28 C29 C30 C31 C32 C33 C34 C35 C36 C37 C38 C39 C40 C41 C42 C43 C44 C45 C46 C47 C48 C49 C50 C51 C52 C53 C54 C55 C56 C57 C58 C59 C60 C61 C62 C63 C64 C65 C66 C67 C68 C69 C70 C71 C72 C261 C262 C263 C264 C265 C266 C267 C268 C269 C270 C271 C272 C273 C274 C275 C276 C277 C278 C279 C280 C281 C282 C283 C284
8	70330117	6800PF	50V	5%	PE RAD	C113 C114 C115 C116 C117 C118 C119 C120
24	70330129	0.1UF	50V	5%	PE RAD	C145 C146 C148 C149 C150 C151 C153 C154 C157 C158 C159 C160 C161 C162 C163 C164 C165 C166 C169 C170 C171 C172 C173 C174
8	70330131	1200PF	50V	5%	PE RAD	C73 C74 C75 C76

				C77 C78 C79 C80
8	70330136	0.047UF 50V 5% PE RAD		C105 C106 C107 C108 C109 C110 C111 C112
32	70418026	1N4148 (LL34) DIODE SMT		D15 D16 D17 D18 D25 D26 D27 D28 D29 D30 D31 D32 D45 D46 D47 D48 D49 D50 D51 D52 D65 D66 D67 D68 D69 D70 D71 D72 D85 D86 D87 D88
4	70418110	LM339 QUAD COMPARATOR SMT		U9 U18 U27 U36
24	70418506	4565 DUAL OPAMP SOIC8W		U1 U3 U4 U5 U6 U7 U8 U12 U13 U14 U15 U16 U17 U21 U22 U23 U24 U25 U26 U30 U31 U32 U34 U35
8	70450050	RED T1 LED W/.500" SPCR		D89 D90 D91 D92 D93 D94 D95 D96
8	70450052	YEL T1 LED W/.500" SPCR		D1 D2 D3 D4 D5 D6 D7 D8
1	70651141	6C 2.5MM WPCB JST-EHR 6"		P21
8	71190257	10KB SNGL 9MM DET VER		VR3 VR16 VR29 VR42 VR55 VR68 VR81 VR94
64	71190259	50KB SNGL 9MM DET VER		VR2 VR5 VR6 VR7 VR8 VR9 VR10 VR11 VR15 VR18 VR19 VR20 VR21 VR22 VR23 VR24 VR28 VR31 VR32 VR33 VR34 VR35 VR36 VR37 VR41 VR44 VR45 VR46 VR47 VR48 VR49 VR50 VR54 VR57 VR58 VR59 VR60 VR61 VR62 VR63 VR67 VR70 VR71 VR72 VR73 VR74 VR75 VR76 VR80 VR83 VR84 VR85 VR86 VR87 VR88 VR89 VR93 VR96 VR97 VR98

						VR99 VR100 VR101 VR102
8	71190261	25KSP	SNGL	9MM	VER	VR1 VR14 VR27 VR40 VR53 VR66 VR79 VR92
8	71190710	10KA/C	DUAL	12MM	DET VER	VR12 VR25 VR38 VR51 VR64 VR77 VR90 VR103
8	71190715	500K15C	SNGL	12MM	VER	VR4 VR17 VR30 VR43 VR56 VR69 VR82 VR95
8	71191056	10KA	SNGL	60MM	VER	VR13 VR26 VR39 VR52 VR65 VR78 VR91 VR104
40	71322356	SWITCH	DPDT	2.8MM	SHFT V	S1 S2 S3 S4 S5 S7 S8 S9 S10 S11 S13 S14 S15 S16 S17 S19 S20 S21 S22 S23 S25 S26 S27 S28 S29 S31 S32 S33 S34 S35 S37 S38 S39 S40 S41 S43 S44 S45 S46 S47
8	71322360	SWITCH	4PDT	2.8MM	SHFT V	S6 S12 S18 S24 S30 S36 S42 S48
4	73719146	16 FLAT	FLEX	CONN	SMT	P22 P23 P24 P25
2	73719149	16 FLAT	FLEX	CONN	TH	P17 P20
2	73719150	8 FLAT	FLEX	CONN	TH	P26 P27
12	FIDUCIAL	????????????????????????????????????				FIDUCIAL1 FIDUCIAL2
	FIDUCIAL3 FIDUCIAL4					FIDUCIAL5 FIDUCIAL6
	FIDUCIAL7 FIDUCIAL8					FIDUCIAL9 FIDUCIAL10
	FIDUCIAL11 FIDUCIAL12					
24	K702002	22	1/10W	5%	MF 0805	R106 R107 R108 R109 R110 R111 R112 R113 R114 R115 R116 R117 R118 R119 R120 R121 R122 R123 R124 R125 R126 R127 R128 R129



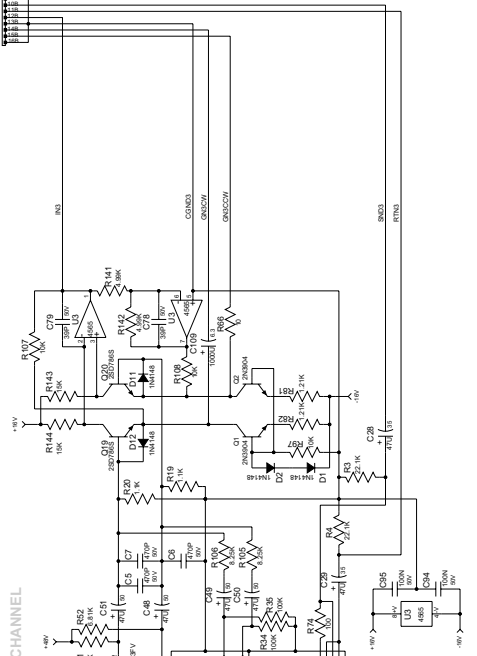
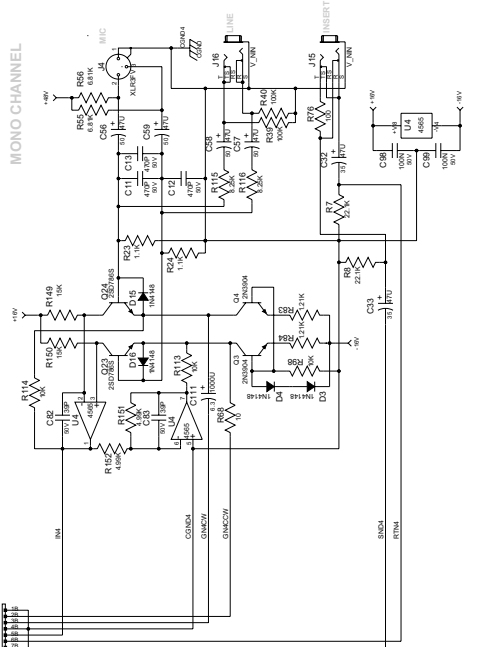
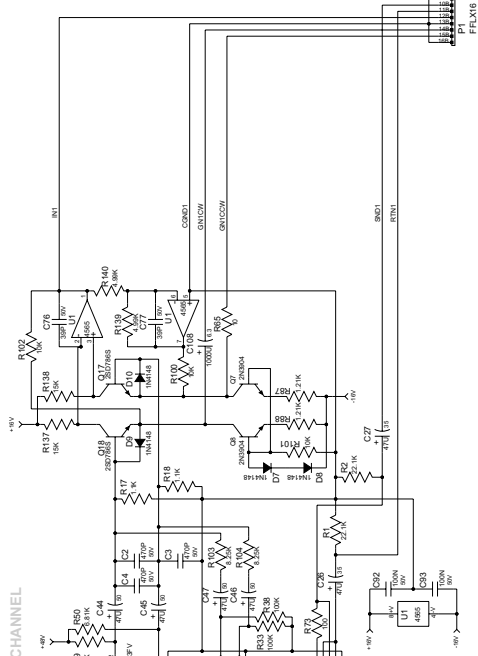
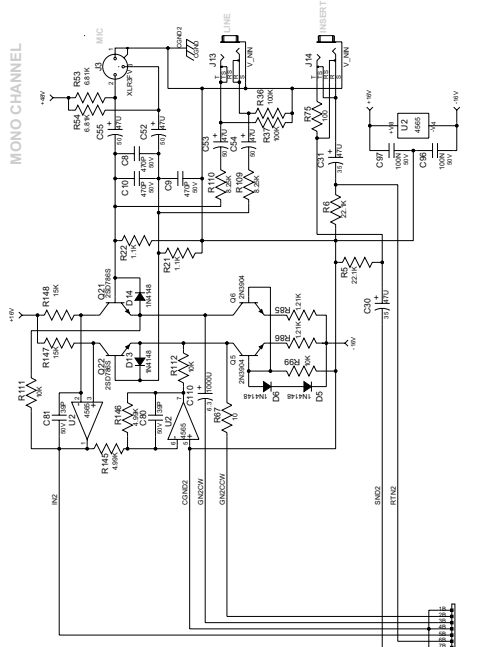
4	K702004	8.2K	1/10W 5% MF 0805	R138 R139 R140 R141
16	K702009	100	1/10W 5% MF 0805	R354 R355 R357 R359 R361 R362 R364 R365 R366 R368 R369 R371 R372 R374 R375 R377
8	K702011	33K	1/10W 5% MF 0805	R452 R453 R458 R459 R464 R465 R470 R471
16	K70200443	2.2M	1/10W 5% MF 0805	R13 R14 R15 R16 R17 R18 R19 R20 R21 R22 R23 R24 R25 R68 R69 R70
16	K70200444	15K	1/10W 5% MF 0805	R71 R80 R81 R82 R83 R270 R271 R272 R273 R274 R275 R276 R277 R310 R311 R312
16	K70200446	7.5K	1/10W 5% MF 0805	R507 R508 R509 R510 R511 R512 R513 R514 R549 R550 R551 R552 R553 R554 R555 R556
4	K70200450	51	1/10W 5% MF 0805	R9 R10 R11 R12
16	K70200451	6.8K	1/4W 5% 1206	R533 R534 R535 R536 R537 R538 R539 R540 R541 R542 R543 R544 R545 R546 R547 R548

-----  
 END OF BILL OF MATERIAL REPORT  
 -----

REV	Entg	Date:	Revision Description
A			ECMP
B			
C			
D			
E			
F			

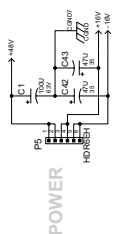
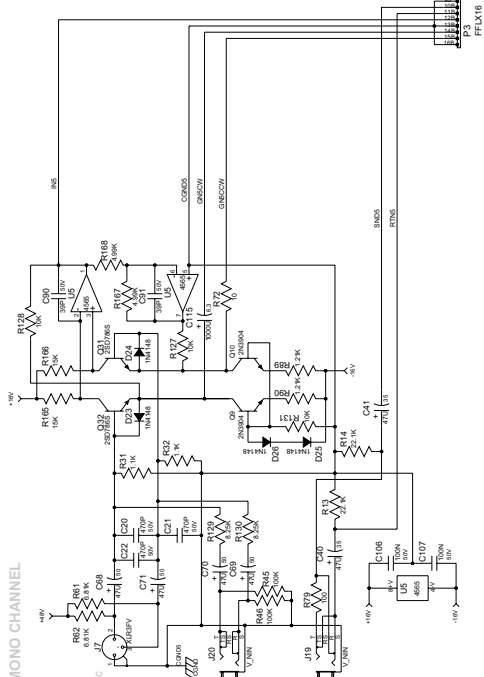
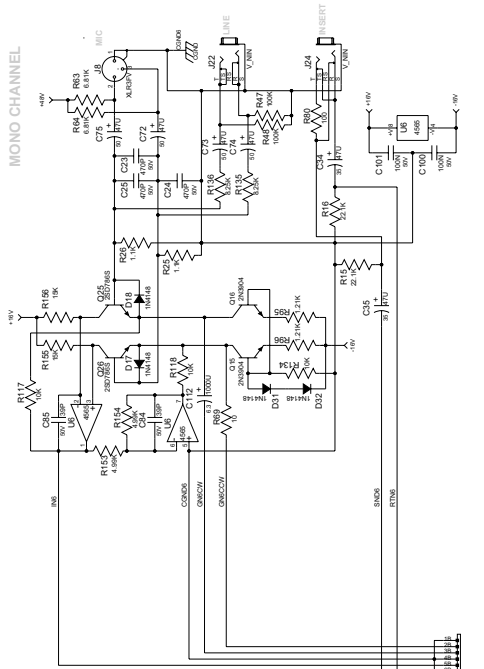
INDEX

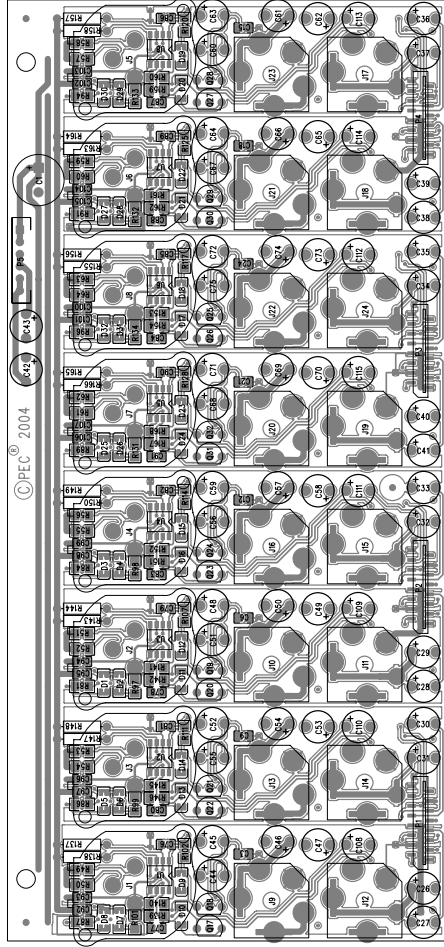
SHEET	DESCRIPTION
1	MONO CHANNEL 1-4
2	MONO CHANNEL 5-8

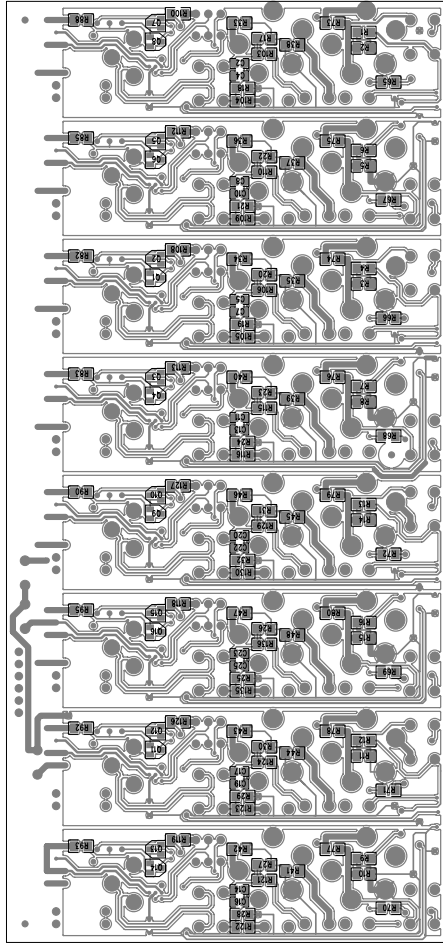


Note: All thru-hole resistors are 1/4 Watt unless otherwise indicated.  
 All SMD resistors are 1/10 Watt.  
 All SMD capacitors are 100 nF.  
 Note: Capacitor Values are indicated as follows:  
 val P = pF (picofarads) val \* 10 exp-12  
 val N = nF (nanofarads) val \* 10 exp-9 (1N=1000pF, 100N=0.1uF)  
 val U = uF (microfarads) val \* 10 exp-6

Patents:  
 Copyright Peavey Electronics Corporation 2004.







BILL OF MATERIAL REPORT

-----

REPORT DATE/TIME: 3/3/2005 4:42:31 PM

BOARD NAME: FX INPUT JACK

ASSEMBLY LEVEL NUMBER: 99061640

PROJECT NUMBER: P0300087

DESIGNER: FJE

Qty.	Part #	Description	Reference Designators
-----			
--			
16	70200049	4.99K 1/4W 1% MF 1206	R139 R140 R141 R142 R145 R146 R151 R152 R153 R154 R159 R160 R161 R162 R167 R168
24	70200051	10K 1/4W 1% MF 1206	R97 R98 R99 R100 R101 R102 R107 R108 R111 R112 R113 R114 R117 R118 R119 R120 R125 R126 R127 R128 R131 R132 R133 R134
8	70200060	100 1/4W 1% MF 1206	R73 R74 R75 R76 R77 R78 R79 R80
16	70200069	1.1K 1/4W 1% MF 1206	R17 R18 R19 R20 R21 R22 R23 R24 R25 R26 R27 R28 R29 R30 R31 R32
16	70200084	6.81K 1/4W 1% MF 1206	R49 R50 R51 R52 R53 R54 R55 R56 R57 R58 R59 R60 R61 R62 R63 R64
16	70200126	100K 1/4W 1% MF 1206	R33 R34 R35 R36 R37 R38 R39 R40 R41 R42 R43 R44 R45 R46 R47 R48
16	70200143	1.21K 1/4W 1% MF 1206	R81 R82 R83 R84 R85 R86 R87 R88 R89 R90 R91 R92 R93 R94 R95 R96

16	70200144	8.25K	1/4W	1%	MF	1206	R103 R104 R105 R106 R109 R110 R115 R116 R121 R122 R123 R124 R129 R130 R135 R136
16	70200230	22.1K	1/4W	1%	MF	1206	R1 R2 R3 R4 R5 R6 R7 R8 R9 R10 R11 R12 R13 R14 R15 R16
8	70200348	10	1/4W	1%	MF	1206	R65 R66 R67 R68 R69 R70 R71 R72
16	70241027	15.0K	1/4W	1%	MF	AXL	R137 R138 R143 R144 R147 R148 R149 R150 R155 R156 R157 R158 R163 R164 R165 R166
16	70300085	0.1UF	50V	80-20%	Z5U	0805	C92 C93 C94 C95 C96 C97 C98 C99 C100 C101 C102 C103 C104 C105 C106 C107
16	70300087	39PF	50V	5%	NPO	0805	C76 C77 C78 C79 C80 C81 C82 C83 C84 C85 C86 C87 C88 C89 C90 C91
24	70300090	470PF	50V	5%	NPO	0805	C2 C3 C4 C5 C6 C7 C8 C9 C10 C11 C12 C13 C14 C15 C16 C17 C18 C19 C20 C21 C22 C23 C24 C25
32	70320182	47UF	50V	20%	EL	RAD	C44 C45 C46 C47 C48 C49 C50 C51 C52 C53 C54 C55 C56 C57 C58 C59 C60 C61 C62 C63 C64 C65 C66 C67 C68 C69 C70 C71 C72 C73 C74 C75
1	70320264	100UF	63V	20%	EL	RAD	C1
8	70320343	1000UF	6.3V	20%	EL	RAD	C108 C109 C110 C111 C112 C113 C114 C115

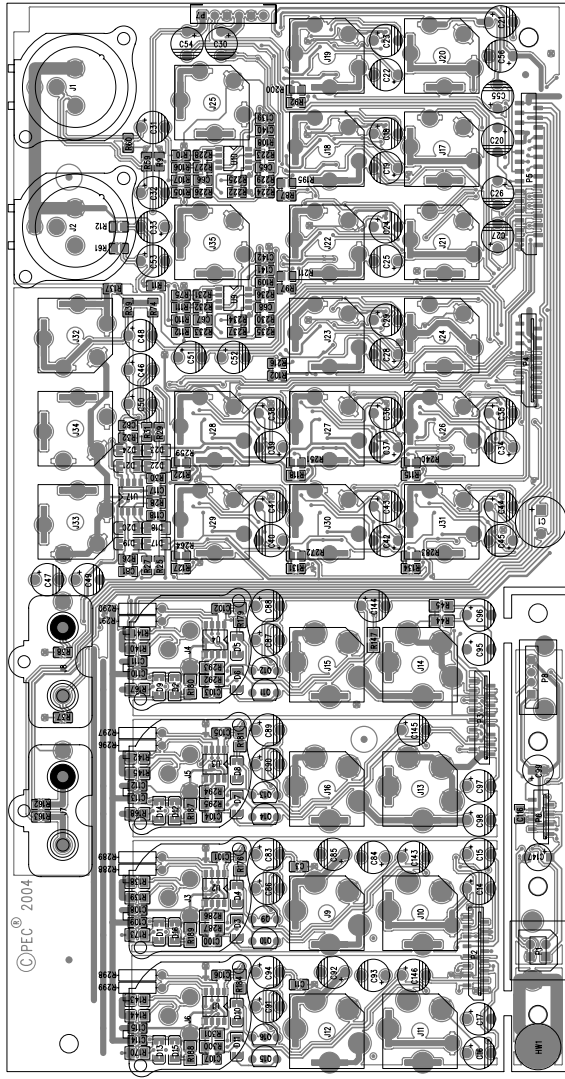
18	70320344	47UF	35V 20% EL RAD	C26 C27 C28 C29 C30 C31 C32 C33 C34 C35 C36 C37 C38 C39 C40 C41 C42 C43
32	70418026	1N4148	(LL34) DIODE SMT	D1 D2 D3 D4 D5 D6 D7 D8 D9 D10 D11 D12 D13 D14 D15 D16 D17 D18 D19 D20 D21 D22 D23 D24 D25 D26 D27 D28 D29 D30 D31 D32
16	70418135	2N3904	NPN SOT23	Q1 Q2 Q3 Q4 Q5 Q6 Q7 Q8 Q9 Q10 Q11 Q12 Q13 Q14 Q15 Q16
8	70418506	4565	DUAL OPAMP SOIC8W	U1 U2 U3 U4 U5 U6 U7 U8
16	70460786	2SD786S	NPN TRANS RAD	Q17 Q18 Q19 Q20 Q21 Q22 Q23 Q24 Q25 Q26 Q27 Q28 Q29 Q30 Q31 Q32
16	71466217	STEREO HID JACK	NINS W/SPD	J9 J10 J11 J12 J13 J14 J15 J16 J17 J18 J19 J20 J21 J22 J23 J24
8	71466478	FXLR	AA-SER 3PINS VERT	J1 J2 J3 J4 J5 J6 J7 J8
1	73717198	6	HDR V JST-EHR 2.5MM TIN	P5
4	73719146	16	FLAT FLEX CONN SMT	P1 P2 P3 P4

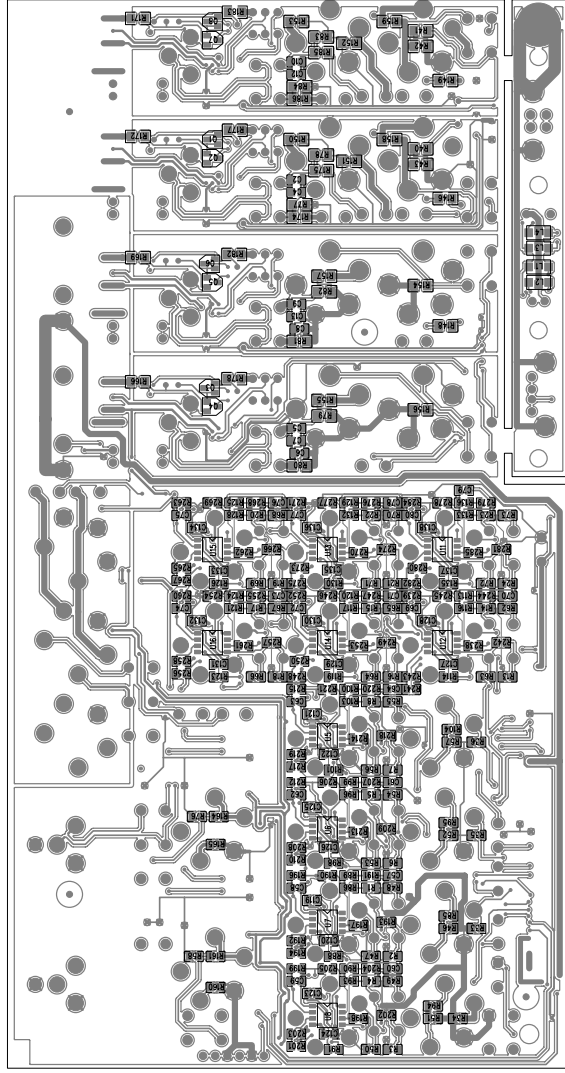
-----  
 END OF BILL OF MATERIAL REPORT  
 -----











BILL OF MATERIAL REPORT

REPORT DATE/TIME: 3/9/2005 4:03:39 PM

BOARD NAME: FX Output Jack ASSEMBLY LEVEL NUMBER: 99061650

PROJECT NUMBER: P0300087 DESIGNER: FJE

Qty.	Part #	Description	Reference Designators
8	602-70200168-1	RES SMD 0805 1/10W 5% 10K	R25 R26 R27 R28 R29 R30 R31 R32
31	602-70200169-1	RES SMD 0805 1/10W 5% 22K	R46 R47 R48 R49 R50 R51 R52 R53 R54 R55 R56 R57 R58 R59 R60 R61 R62 R63 R64 R65 R66 R67 R68 R69 R70 R71 R72 R73 R74 R75 R76
96 R193	602-70200174-1	RES SMD 0805 1/10W 1% 10K	R190 R191 R192 R194 R195 R196 R197 R198 R199 R200 R201 R202 R203 R204 R205 R206 R207 R208 R209 R210 R211 R212 R213 R214 R215 R216 R217 R218 R219 R220 R221 R222 R223 R224 R225 R226 R227 R228 R229 R230 R231 R232 R233 R234 R235 R236 R237 R238 R239 R240 R241 R242 R243 R244 R245 R246 R247 R248 R249 R250 R251 R252 R253 R254 R255 R256 R257 R258 R259 R260 R261 R262 R263 R264 R265 R266 R267 R268 R269 R270 R271 R272 R273 R274 R275 R276 R277 R278 R279 R280 R281 R282 R283 R284 R285
7	602-70200178-1	RES SMD 0805 1/10W 5% 100K	R33 R34 R35 R36 R37 R38 R39

53 602-K11401000-1 RES SMD 0805 1/8W 1% 100R T&R (KW000103) R85 R86  
R87 R88

R89 R90 R91 R92  
R93 R94 R95 R96  
R97 R98 R99 R100  
R101 R102 R103 R104  
R105 R106 R107 R108  
R109 R110 R111 R112  
R113 R114 R115 R116  
R117 R118 R119 R120  
R121 R122 R123 R124  
R125 R126 R127 R128  
R129 R130 R131 R132  
R133 R134 R135 R136  
R137

8	70200049	4.99K	1/4W	1%	MF	1206	R286 R287 R292 R293 R294 R295 R300 R301
12	70200051	10K	1/4W	1%	MF	1206	R176 R177 R178 R179 R180 R181 R182 R183 R184 R187 R188 R189
2	70200060	100	1/4W	1%	MF	1206	R158 R159
8	70200069	1.1K	1/4W	1%	MF	1206	R77 R78 R79 R80 R81 R82 R83 R84
8	70200084	6.81K	1/4W	1%	MF	1206	R138 R139 R140 R141 R142 R143 R144 R145
8	70200126	100K	1/4W	1%	MF	1206	R150 R151 R152 R153 R154 R155 R156 R157
8	70200143	1.21K	1/4W	1%	MF	1206	R166 R167 R168 R169 R170 R171 R172 R173
4	70200144	8.25K	1/4W	1%	MF	1206	R174 R175 R185 R186
6	70200230	22.1K	1/4W	1%	MF	1206	R40 R41 R42 R43 R44 R45
4	70200348	10	1/4W	1%	MF	1206	R146 R147 R148 R149
24	70200413	2.67K	1/10W	1%	MF	0805	R1 R2 R3 R4 R5 R6 R7 R8 R9 R10 R11 R12 R13 R14 R15 R16

					R17 R18 R19 R20 R21 R22 R23 R24
8	70241027	15.0K	1/4W	1% MF AXL	R288 R289 R290 R291 R296 R297 R298 R299
35	70300085	0.1UF	50V	80-20% Z5U 0805	C108 C109 C110 C111 C112 C113 C114 C115 C116 C117 C118 C119 C120 C121 C122 C123 C124 C125 C126 C127 C128 C129 C130 C131 C132 C133 C134 C135 C136 C137 C138 C139 C140 C141 C142
34	70300087	39PF	50V	5% NPO 0805	C57 C58 C59 C60 C61 C62 C63 C64 C65 C66 C67 C68 C69 C70 C71 C72 C73 C74 C75 C76 C77 C78 C79 C80 C81 C82 C100 C101 C102 C103 C104 C105 C106 C107
12	70300090	470PF	50V	5% NPO 0805	C2 C3 C4 C5 C6 C7 C8 C9 C10 C11 C12 C13
1	70320180	2.2UF	50V	20% EL RAD	C147
16	70320182	47UF	50V	20% EL RAD	C83 C84 C85 C86 C87 C88 C89 C90 C91 C92 C93 C94 C95 C96 C97 C98
1	70320264	100UF	63V	20% EL RAD	C1
4	70320343	1000UF	6.3V	20% EL RAD	C143 C144 C145 C146
43	70320344	47UF	35V	20% EL RAD	C14 C15 C16 C17 C18 C19 C20 C21 C22 C23 C24 C25 C26 C27 C28 C29 C30 C31 C32 C33 C34 C35 C36 C37 C38 C39 C40 C41 C42 C43 C44 C45 C46 C47 C48 C49 C50 C51 C52 C53 C54 C55 C56

1	70320350	100UF 16V 20% EL RAD	C99
24	70418026	1N4148 (LL34) DIODE SMT	D1 D2 D3 D4 D5 D6 D7 D8 D9 D10 D11 D12 D13 D14 D15 D16 D17 D18 D19 D20 D21 D22 D23 D24
8	70418135	2N3904 NPN SOT23	Q1 Q2 Q3 Q4 Q5 Q6 Q7 Q8
4	70418230	100PF/FERRITE T FLTR SMT	L1 L2 L3 L4
17	70418506	4565 DUAL OPAMP SOIC8W	U1 U2 U3 U4 U5 U6 U7 U8 U9 U10 U11 U12 U13 U14 U15 U16 U17
8	70460786	2SD786S NPN TRANS RAD	Q9 Q10 Q11 Q12 Q13 Q14 Q15 Q16
27	71466217	STEREO HID JACK NINS W/SPD	J9 J10 J11 J12 J13 J14 J15 J16 J17 J18 J19 J20 J21 J22 J23 J24 J25 J26 J27 J28 J29 J30 J31 J32 J33 J34 J35
2	71466324	MXLR NC3MAV A-SER VERT	J1 J2
2	71466474	DUAL RCA 24MM VERT	J7 J8
4	71466478	FXLR AA-SER 3PINS VERT	J3 J4 J5 J6
1	73715218	USB A VERT	P8
1	73715219	USB B VERT	P1
1	73717198	6 HDR V JST-EHR 2.5MM TIN	P7
3	73719146	16 FLT FLX 1.0MM CONN SMT	P2 P3 P4
1	73719151	30 FLT FLX 1.0MM CONN SMT	P5
1	73719154	8 FLT FLX 1.0MM CONN SMT	P6
6	K702009	100 1/10W 5% MF 0805	R160 R161 R162 R163 R164 R165



1 PCB\_PAD46

PCB PAD #4-#6 MACH SCRW

HW1

-----  
END OF BILL OF MATERIAL REPORT  
-----