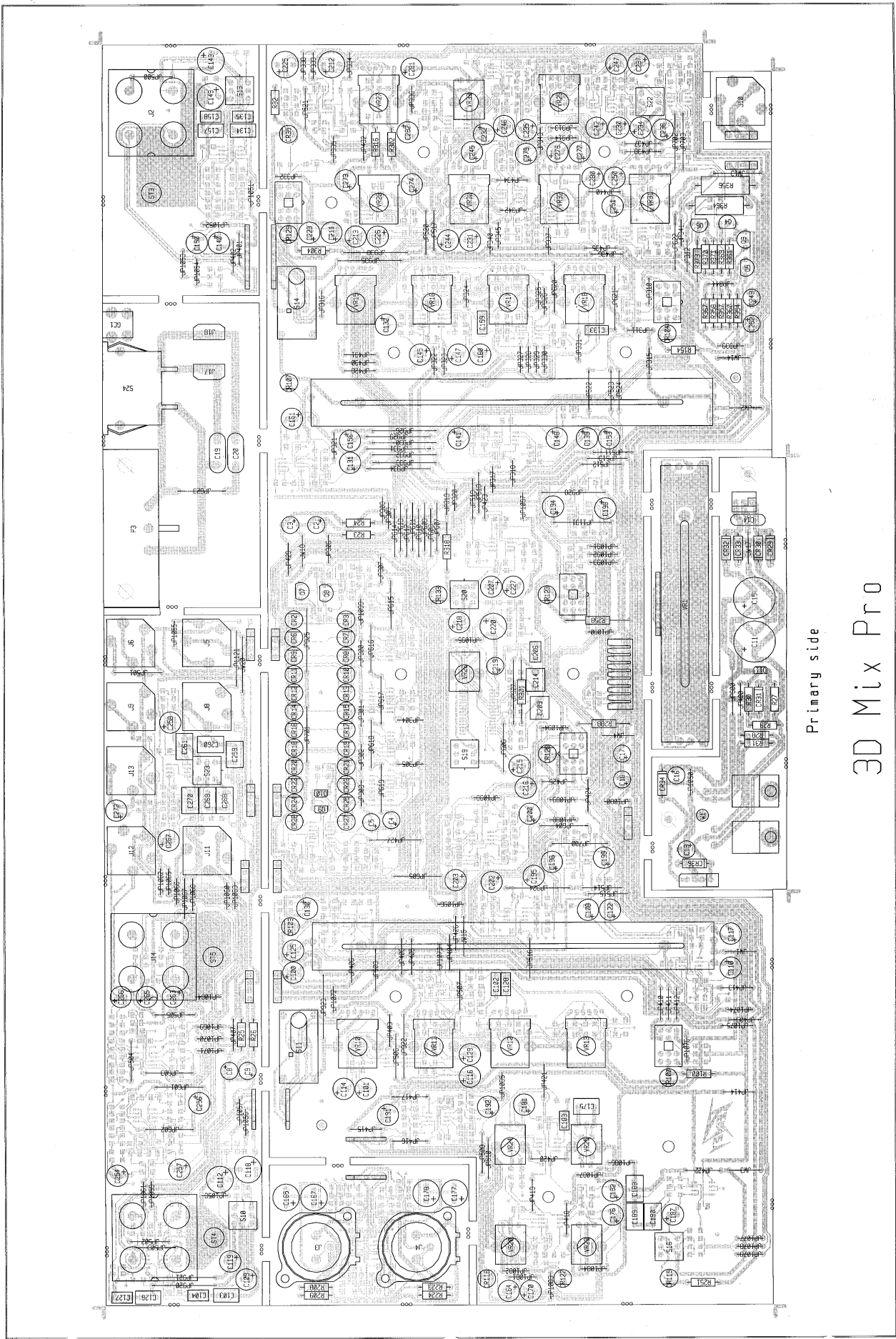
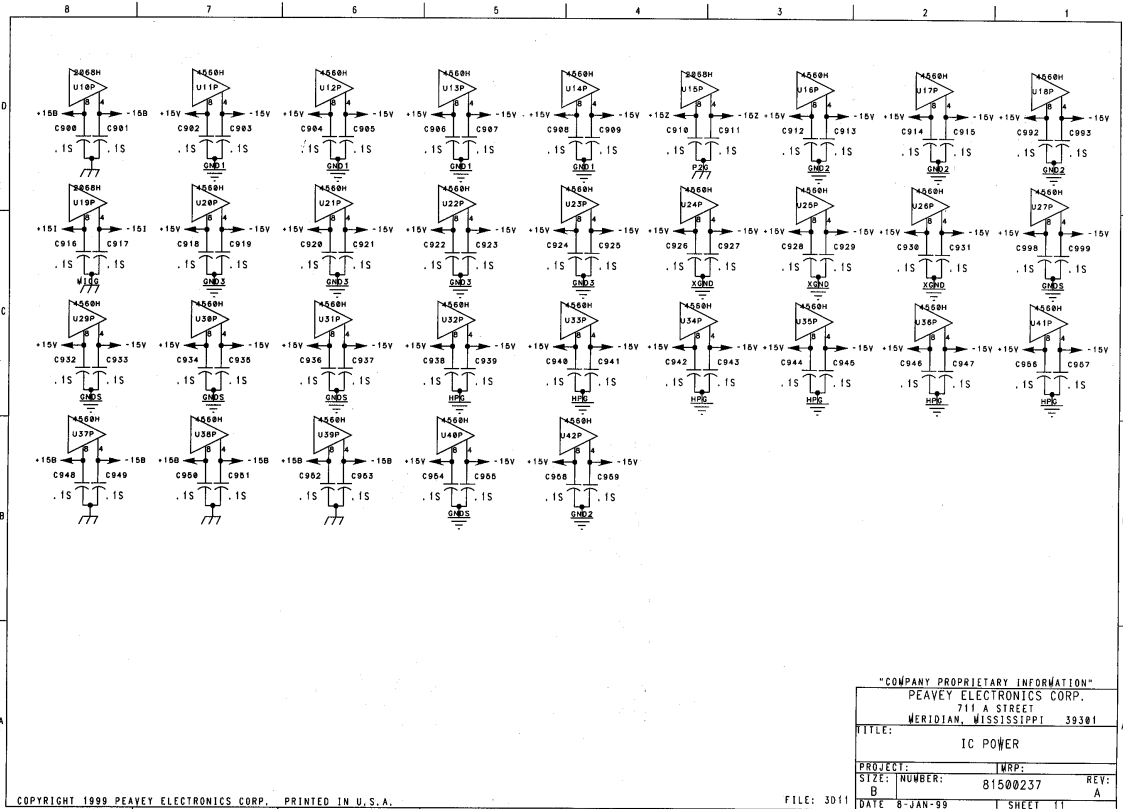


3D mix Pro



Primary side

3D Mix Pro



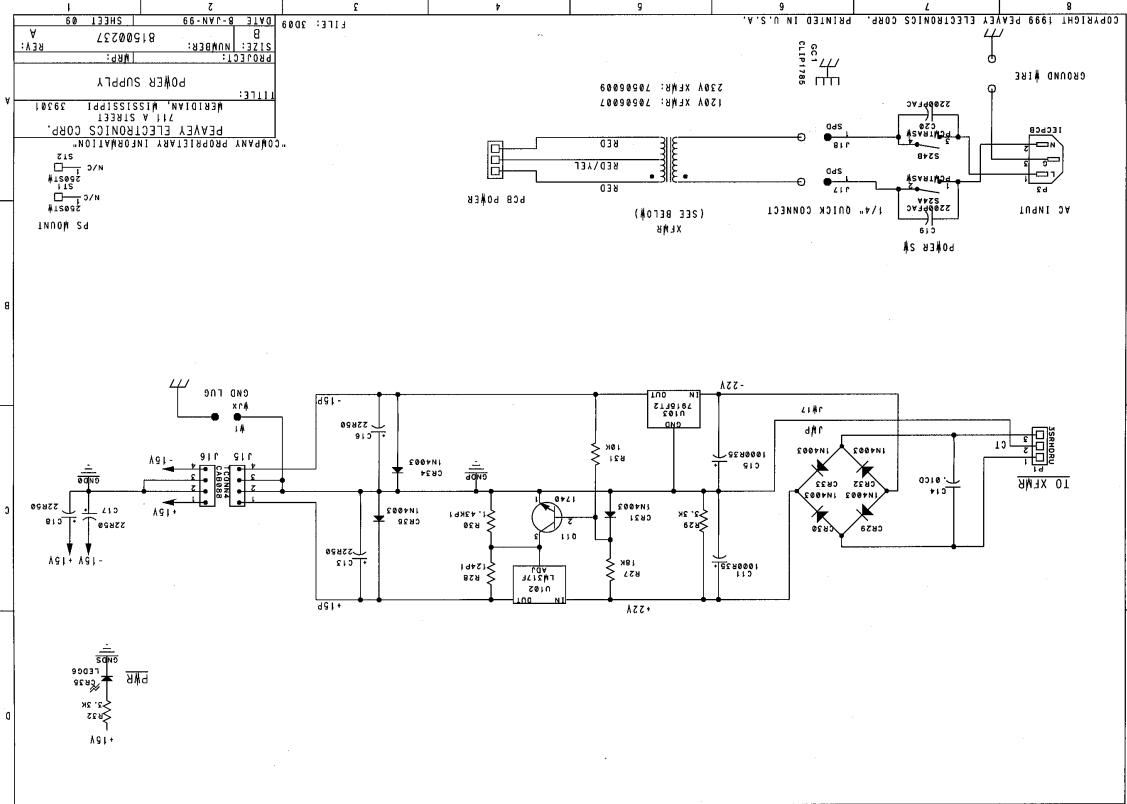
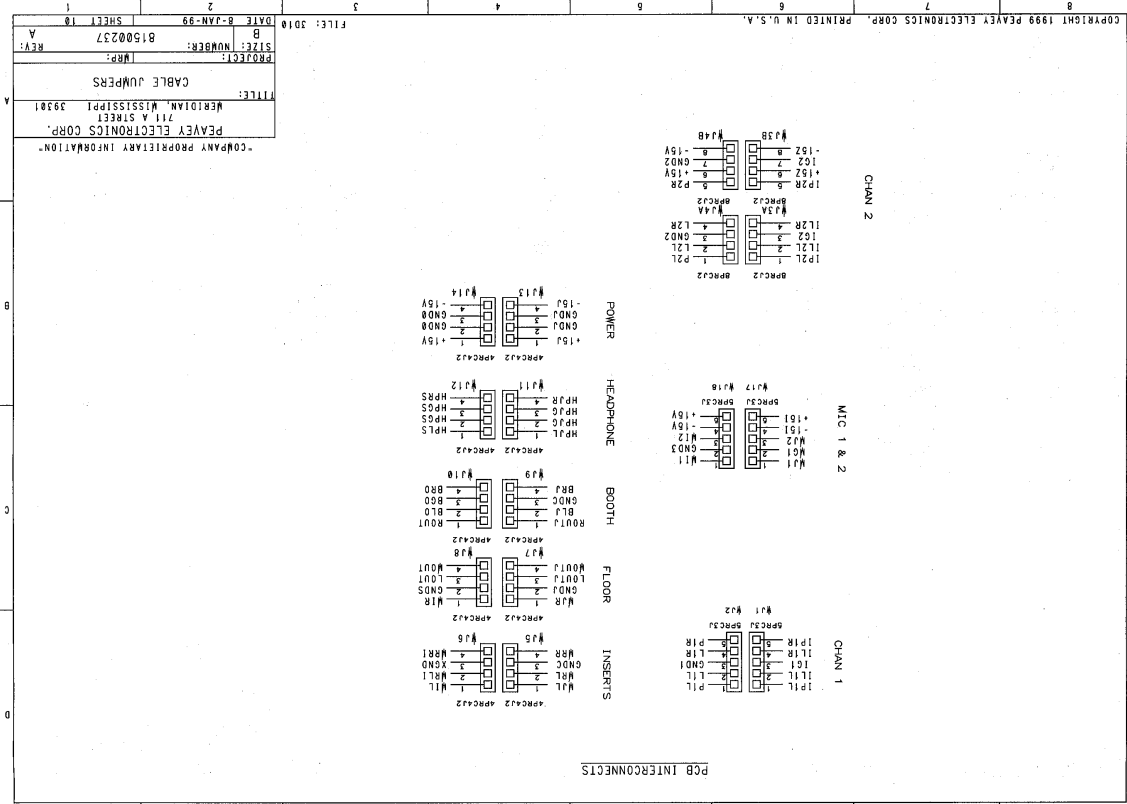
"COMPANY PROPRIETARY INFORMATION"

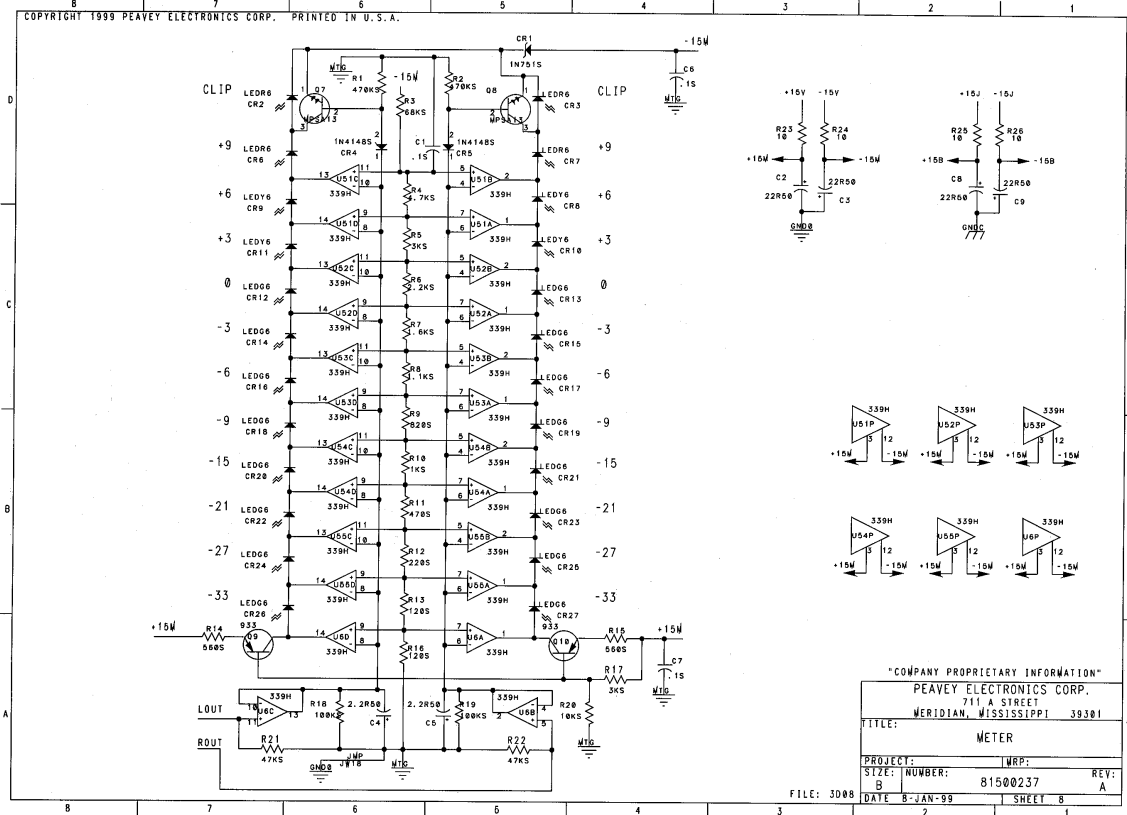
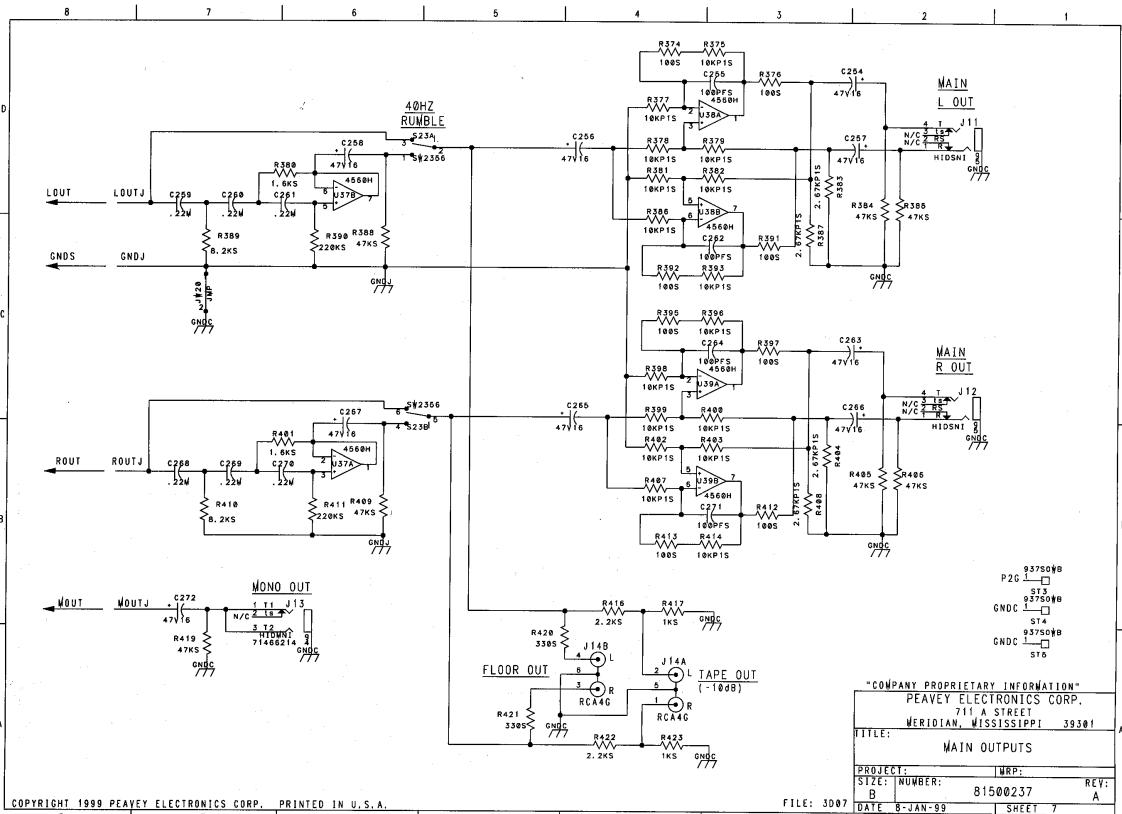
PEAVEY ELECTRONICS CORP.  
711 A STREET  
MERIDIAN, MISSISSIPPI 39301

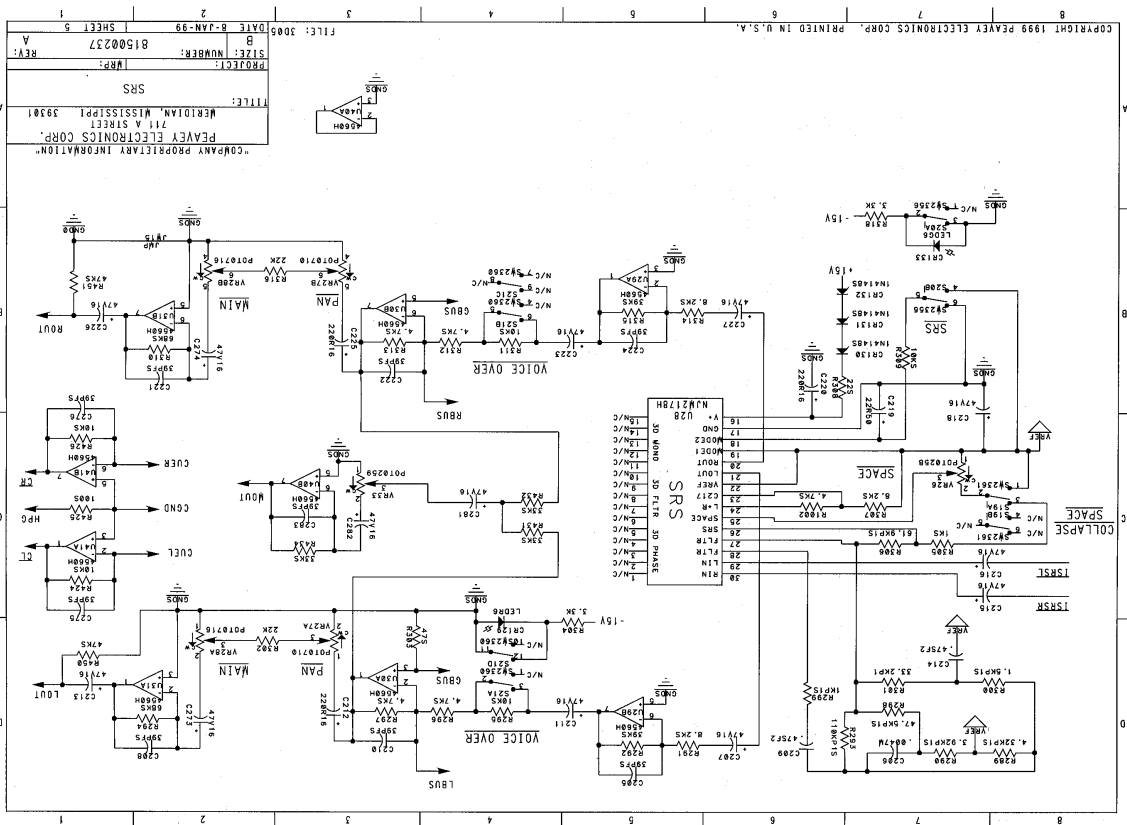
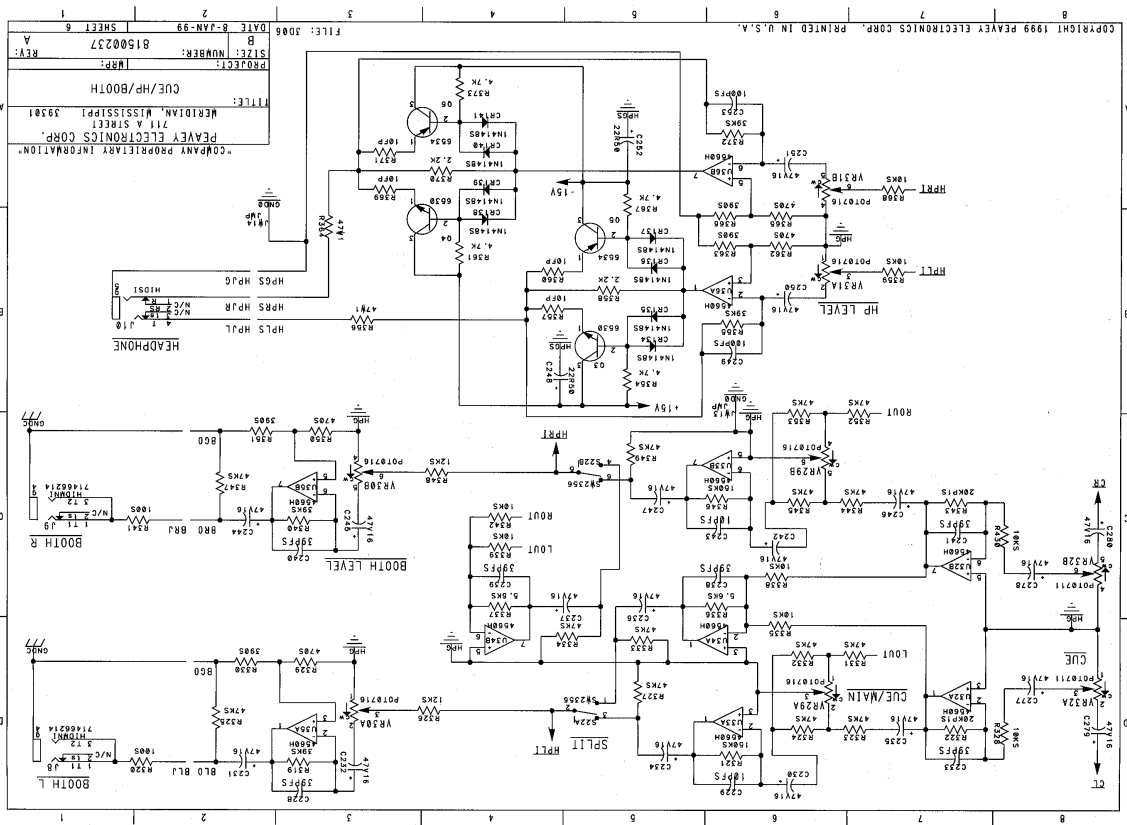
TITLE: IC POWER

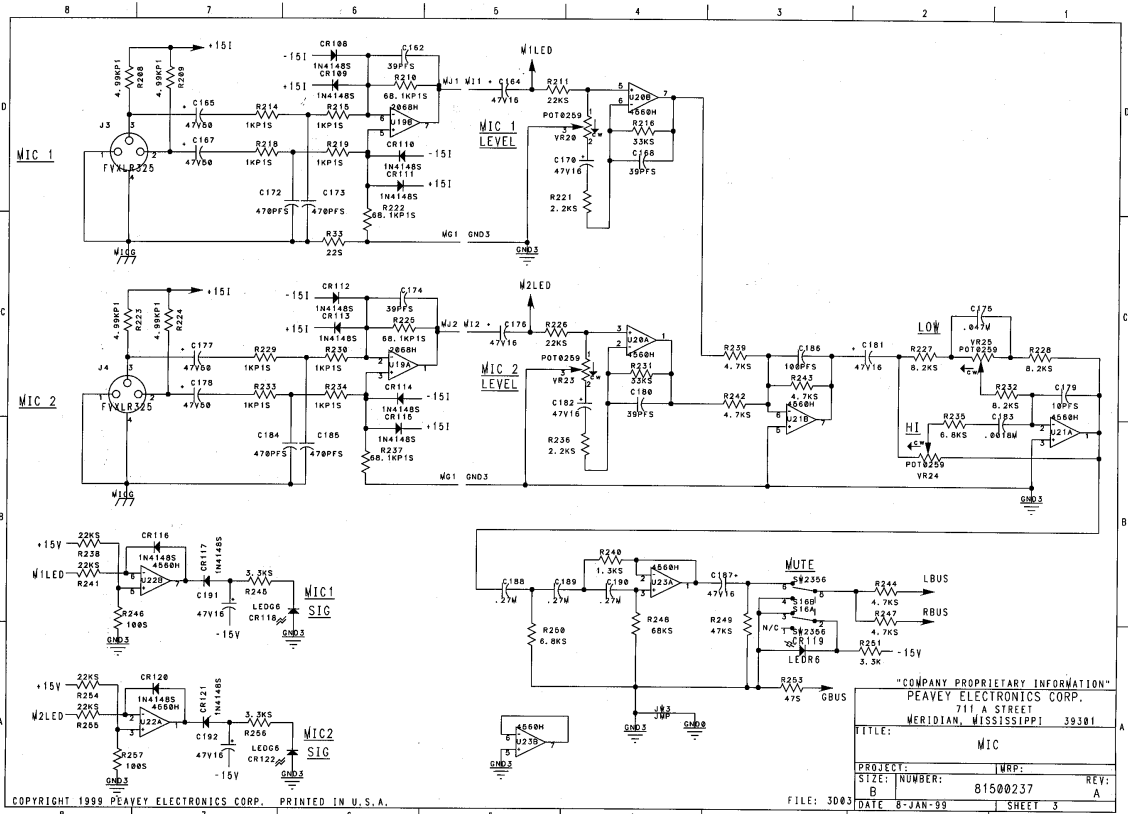
PROJECT:	WRP:
SIZE: B	NUMBER: 81500237
DATE: 8-JAN-99	REV: A
FILE: 3011	SHEET 11

COPYRIGHT 1999 PEAVEY ELECTRONICS CORP. PRINTED IN U.S.A.



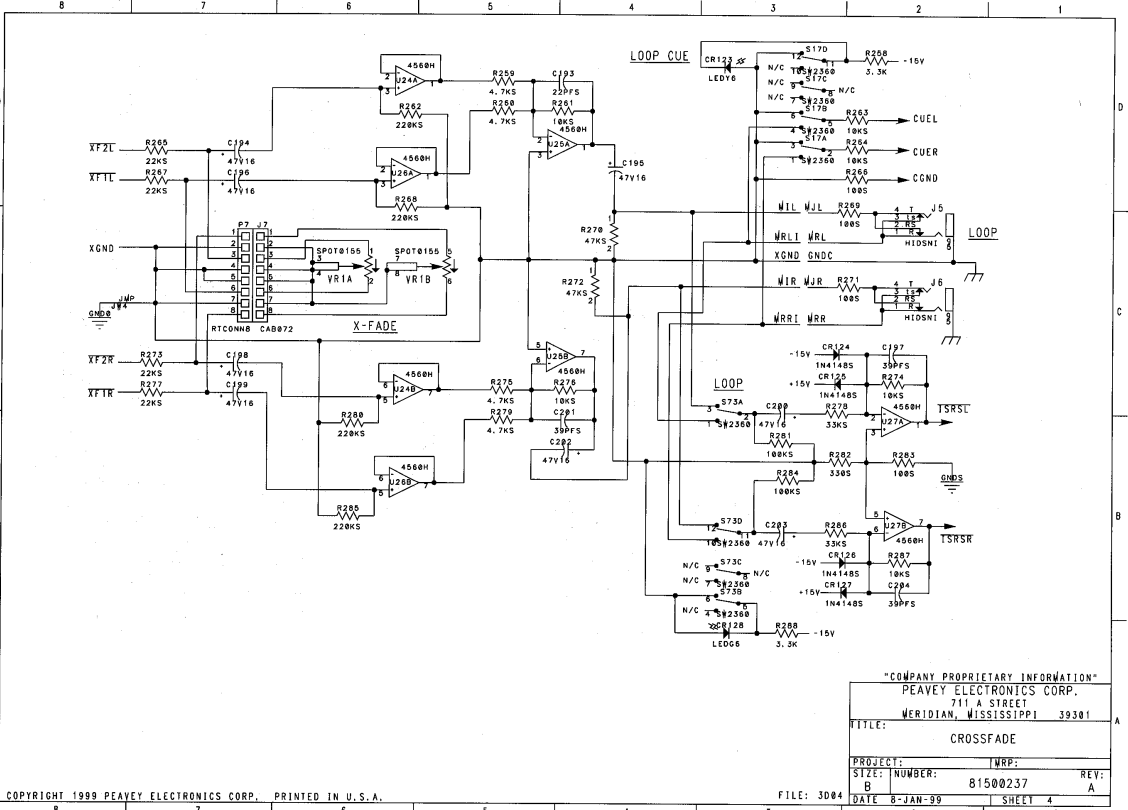






"COMPANY PROPRIETARY INFORMATION"  
 PEAVEY ELECTRONICS CORP.  
 711 A STREET  
 MERIDIAN, MISSISSIPPI 39301

TITLE: MIC  
 PROJECT: \_\_\_\_\_ WRP: \_\_\_\_\_  
 SIZE: NUMBER: 81500237 REV: A  
 B



"COMPANY PROPRIETARY INFORMATION"  
 PEAVEY ELECTRONICS CORP.  
 711 A STREET  
 MERIDIAN, MISSISSIPPI 39301

TITLE: CROSSFADE  
 PROJECT: \_\_\_\_\_ WRP: \_\_\_\_\_  
 SIZE: NUMBER: 81500237 REV: A  
 B





U28

1 PCMTRASW PCMTRASW 71322377 PC MOUNT PIGHT ANGLE POWER SWITCH  
S24

1 POT0258 71190258 71190258 10K - STD - 9MM  
VR26

5 POT0259 71190259 71190259 50KB - STD - 9MM - W/DTT  
VR20, VR23, VR24, VR25, VR33

1 POT0710 POT0710 71190710 10KA/10KC DUAL 12MM W/DTT  
VR27

3 POT0711 POT0711 71190711 10KB/10KB DUAL 12MM  
VR10, VR15, VR32

10 POT0716 POT0716 71190716 50KBX2 DUAL 12MM ROT POT W/DTT  
VR11, VR12, VR13, VR16, VR17, VR18,  
VR28, VR29, VR30, VR31

3 RCA4G RCA4G 71466271 QUAD GOLD RCA PHONO 24MM  
J1, J2, J14

1 RTCONN8 73716724 73716724 .098" WB/RA HEADER - 8PIN SHROUDED  
P7

2 SPD 73716194 73716194 .250 PC MNT SPADE .093 PCB  
J17, J18

2 SPOT0154 71190154 71190154 10K 100MM STEREO FADER  
VR14, VR19

1 SPOT0155 71190155 71190155 20K DUAL 45MM XFADER  
VR1

6 SW2356 71322356 71322356 DPDT PUSH BUTTON SW 2.8MM SQ SHAFT  
S10, S13, S16, S20, S22, S23

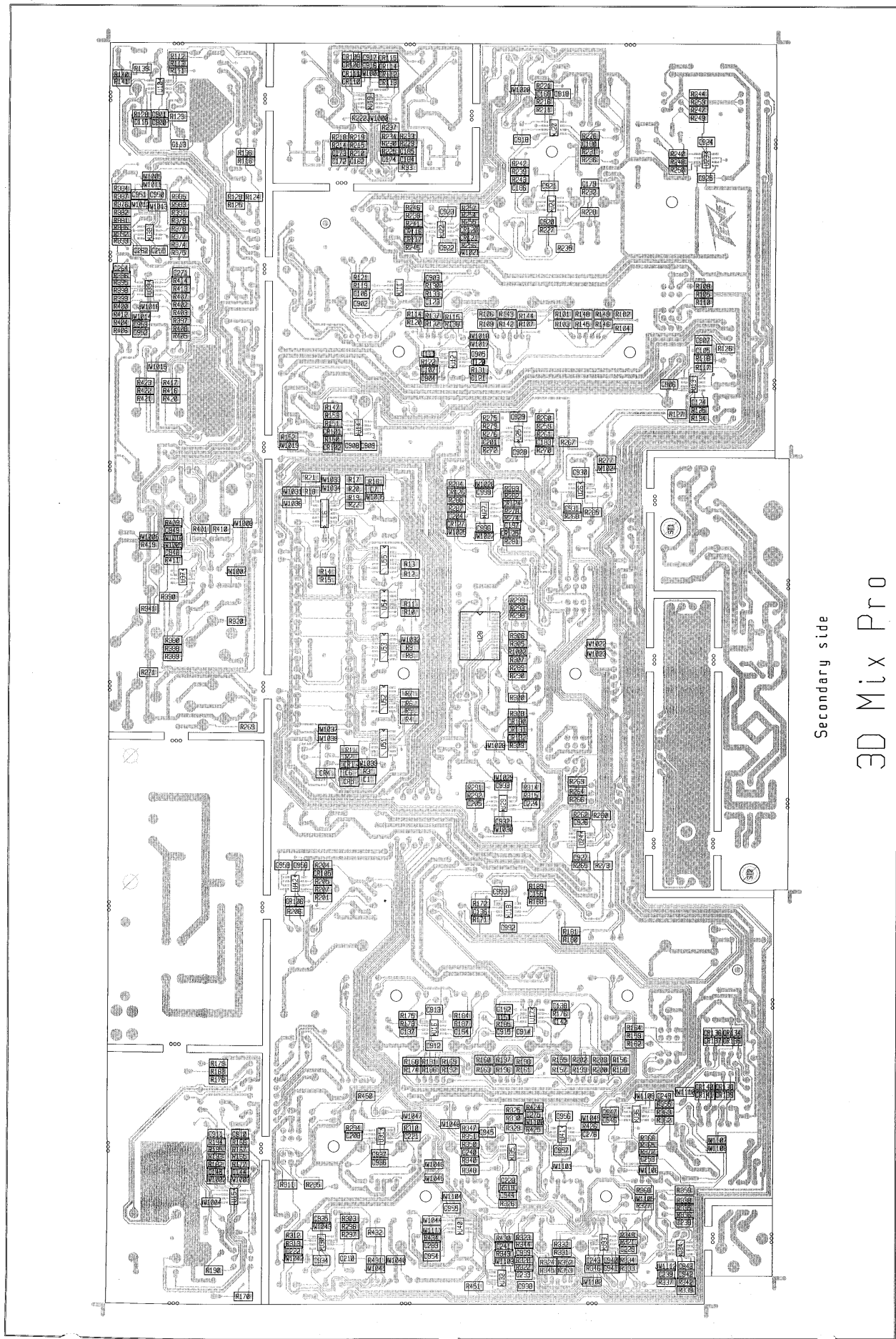
5 SW2360 SW2360 71322360 4PDT PUCH BUTTON SW, 2.8MM SHAFT  
S12, S15, S17, S21, S73

1 SW2361 71322361 71322361 DPDT MOM PUSH BUTTON SW 2.8MM SQ SHAFT  
S19

2 SW2392 71322392 71322392 DPDT, TOGGLE SLIDE, PC MNT  
S11, S14

1 TCONN4 73716719 73716719 4C-WTB-HDR-SHRD-.098"-TIN  
J15

1 WJX WJX XXXXXXXX XXXXXXXX  
W1  
\*\*\*\*\*



Secondary side

3D Mix Pro

4 3.3KS 3.3K 70200023 3.3K-1/8W-5%-SMT  
R152, R206, R245, R256

1 3.92KPI5 3.92KPI 70200129 3.92K-1/8W-1%-SMT1206  
R290

1 33.2KPI 33.2KPI 70204024 33.2K 1% 1/4W MF-T&R  
R301

5 330S 330 70200071 330-1/8W-5%-SMT  
R127, R181, R282, R420, R421

6 339H 339H 70418110 LM399D QUAD COMP IC - SMT S014  
U6, U51, U52, U53, U54, U55

15 33KS 33K 70200069 33K-1/8W-5%-SMT  
R112, R118, R135, R140, R166, R172,  
R189, R194, R216, R231, R278, R286,  
R431, R432, R434

4 390S 390 70200045 390-1/8W-5%-SMT  
R330, R351, R363, R366

6 39KS 39K 70200091 39K-1/8W-5%-SMT1206  
R292, R315, R319, R340, R355, R372

30 39PFS 39PF 70300012 39PF COG 50V 5% SMT1206  
C105, C106, C123, C124, C136, C137,  
C154, C155, C162, C168, C174, C180,  
C197, C201, C204, C205, C208, C210,  
C211, C222, C224, C228, C233, C238,  
C239, C240, C241, C275, C276, C283

2 3KS 3K 70200081 3K-1/8W-5%-SMT1206  
R5, R17

1 3SRHDRU 73717013 73717013 3 PIN S/R HDR, 100 W/LOCK-4UP  
P1

1 4.33KPI5 4.33KPI 70200130 4.33K-1/8W-1%-SMT1206  
R289

4 4.7K 4.7K 70240023 4.7K-1/4W-5%-CF-T&R  
R354, R361, R367, R373

19 4.7KS 4.7K 70200025 4.7K-1/8W-5%-SMT  
R4, R106, R143, R160, R197, R239, R242,  
R245, R246, R247, R259, R260, R275,  
R279, R296, R297, R312, R313, R1002

4 4.99KPI 4.99KPI 70241060 4.99K-1/4W-1%-MF-T&R  
R208, R209, R223, R224

29 4560H 4560 70418053 4560 DL OP AMP S01C-8  
U11, U12, U13, U14, U16, U17, U18, U20,  
U21, U22, U23, U24, U25, U26, U27, U29,  
U30, U31, U32, U33, U34, U35, U36, U37,  
U38, U39, U40, U41, U42

1 47.5KPI5 47.5KPI 70200099 47.5K-1/8W-1%-SMT1206  
R298

2 470KS 470K 70200035 470K-1/8W-5%-SMT  
R1, R2

4 470PFS 470PF 70300047 470PF COG 50V 5% SMT1206  
C172, C173, C184, C185

5 470S 470 70200046 470-1/8W-5%-SMT  
R11, R29, R350, R362, R365

40 47KS 47K 70200032 47K-1/8W-5%-SMT  
R21, R22, R104, R123, R124, R128, R129,  
R146, R158, R177, R178, R182, R183,  
R200, R249, R270, R272, R273, R324,  
R325, R326, R327, R328, R333, R334,  
R344, R345, R371, R372, R373, R374,  
R384, R385, R386, R405, R406, R409,  
R419, R450, R451

2 47S 47 70200012 47-1/8W-5%-SMT  
R253, R303

82 47V16 47V16 70300188 47MFD 16VDC RADIAL LYTIC T&A  
C100, C101, C108, C109, C110, C114,  
C116, C117, C119, C122, C125, C129,  
C130, C131, C132, C139, C140, C141,  
C145, C147, C148, C150, C153, C156,  
C182, C187, C191, C192, C196, C181,  
C196, C198, C199, C200, C202, C203,  
C207, C211, C213, C215, C216, C218,  
C223, C226, C227, C230, C231, C232,  
C234, C235, C236, C237, C242, C244,  
C245, C246, C247, C250, C251, C254,  
C26, C27, C28, C29, C35, C36, C36,  
C37, C38, C39, C41, C42, C43, C44,  
C279, C280, C281, C282

4 47V50 47V50 70320182 47MFD-20%-50VDC-LL-T&A  
C165, C167, C177, C178

2 47V1 47V1 70210011 47-1/4W-5%-MO-T&R  
R356, R364

10 48PC412 48PC412 70600034 4C PRE-TIN, 100 CTR 4" JUMPER (SPLIT  
VERSION)  
W15, W16, W17, W18, W19, W10, W11,  
W12, W13, W14

2 5.6KS 5.6K 70200090 5.6K-1/8W-5%-SMT1206  
R336, R337

4 51KS 51K 70200096 51K-1/8W-5%-SMT1206  
R122, R131, R176, R185

2 560S 560 70200079 560-1/8W-5%-SMT1206  
R14, R15

4 5PRC31 5PRC31 70600037 5C PRE-TIN, 100 3" JUMPER  
W11, W12, W17, W18

6 6.8KS 6.8K 70200026 6.8K-1/8W-5%-SMT  
R114, R137, R168, R191, R235, R250

1 61.9KPI5 61.9KPI5 70200122 61.9K-1/8W-1%-SMT1206  
R306

2 6550 6554 70466531 MPS-6531 TO92 NPN TRANS.  
O3, O4

2 6554 6554 70466533 MPS-6533/34 TO-92 PNP TRANS T&A  
O5, O6

4 681KPI5 681KPI 70200121 681K 1/8W-1%-SMT 1206  
R210, R222, R225, R237

12 68KS 68K 70200033 68K-1/8W-5%-SMT  
R3, R103, R120, R132, R145, R157, R174,  
R186, R199, R248, R294, R310

2 68S 68 70200053 68-1/8W-5%-SMT  
R153, R207

1 7915FT2 7915F 70400319 7915F 3-TERM, 1.5V TO-220 RG.  
U103

8 8.2KS 8.2K 70200042 8.2K-1/8W-5%-SMT  
R227, R228, R232, R291, R307, R314,  
R359, R410

4 820PFS 820PF 70300033 820PF-SURFACE MNT-1206 PACK  
C111, C120, C142, C151

5 820S 820 70200054 820-1/8W-5%-SMT  
R9, R115, R138, R169, R192

2 89PC12 70600028 8C PRE-TIN, 100 CTR 2.5" JUMPER (SPLIT  
VERSION)  
W13, W14

2 93S 93S 70400933 2SAB33ASLN 40V, 1A, PNP, LOW NOISE T&A  
Q9, Q10

3 93TSOWB 71500849 71500849 BRASS 4-40 X 1.516 SWAGE STANDOFF  
S73, S74, S75

1 CAB072 CAB072 70600072 8C, 1" VERT RIBBON CABLE ASSY 4"  
J7

1 CAB088 CAB088 70600088 4 CON, 1" VERT RIBBON CABLE ASSEMBLY 8"  
J16

1 CLEP1785 70901785 70901785 screw term, 6-32 - pcd mm.  
GC1

2 FVXLK325 71466325 71466325 Connector, Female XLR  
J3, J4

3 H1DANI 71466214 71466214 2 TIP H1D JACK NINS W/SPD  
J8, J9, J13

1 H1DSI 71466216 71466216 STEREO H1D JACK INSU W/SPD  
J10

4 H1DSNI 71466217 71466217 STEREO H1D JACK NINS W/SPD  
J5, J6, J11, J12

1 IECPCB 70901257 70901257 IEC POWER INLET R/A PCB MT.  
P3

23 LEDG6 LEDG6 70450051 LED, T-1, GRN, W/500° SPCK - T&A  
CR12, CR13, CR14, CR15, CR16, CR17,  
CR18, CR19, CR20, CR21, CR22, CR23,  
CR24, CR25, CR26, CR27, CR28, CR29,  
CR107, CR118, CR122, CR123, CR133

6 LEDR6 LEDR6 70450050 LED, T-1, RED, W/500° SPCK - T&A  
CR2, CR3, CR6, CR7, CR119, CR129

7 LEDY6 LEDY6 70450052 LED, T-1, YEL, W/500° SPCK - T&A  
CR8, CR9, CR10, CR11, CR100, CR104,  
CR123

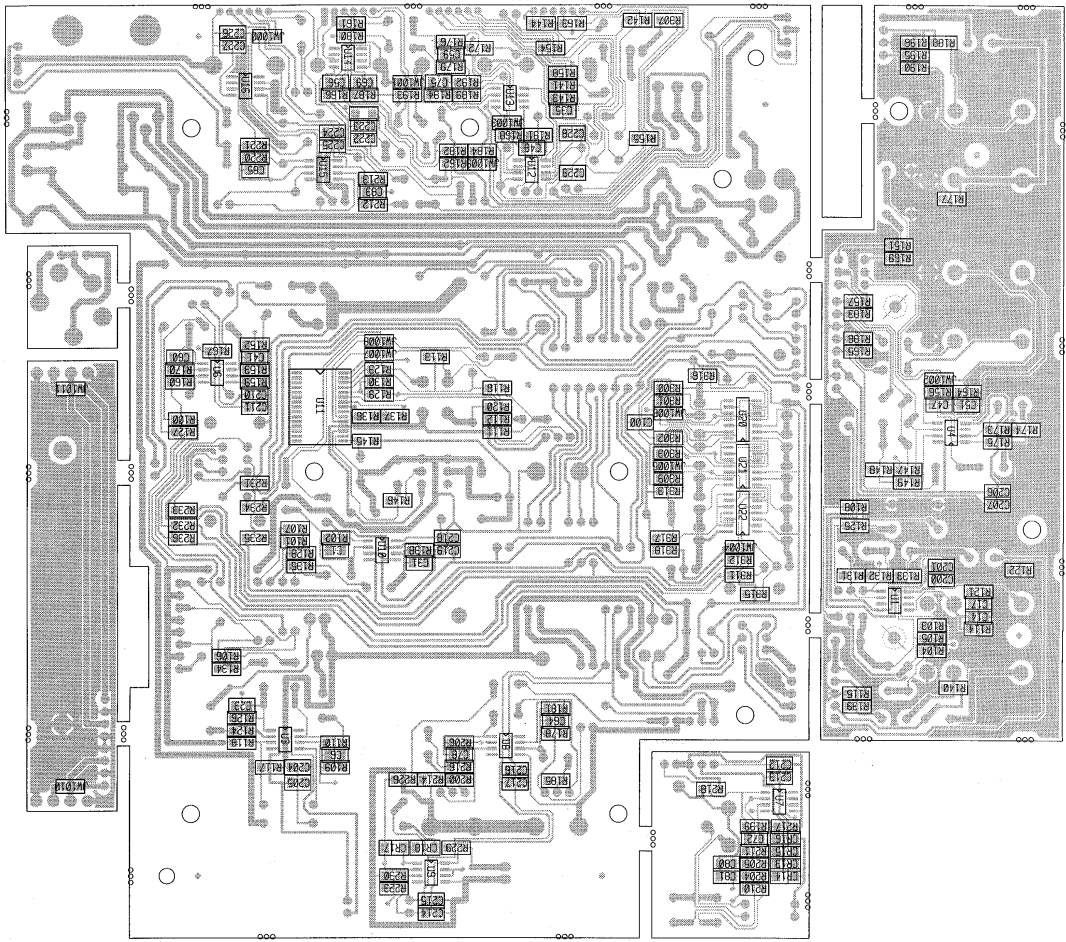
1 LM317F LM317F 70400316 LM317 ADJ REG (ISO TAB) T220  
U102

2 MP5A13 A13 70466013 MP5-A13 NPN DARLINGTON TRANS T&A  
Q7, Q8

1 N1M2178H N1M2178 70418163 N1M2178 SRS 3D SMD SMT

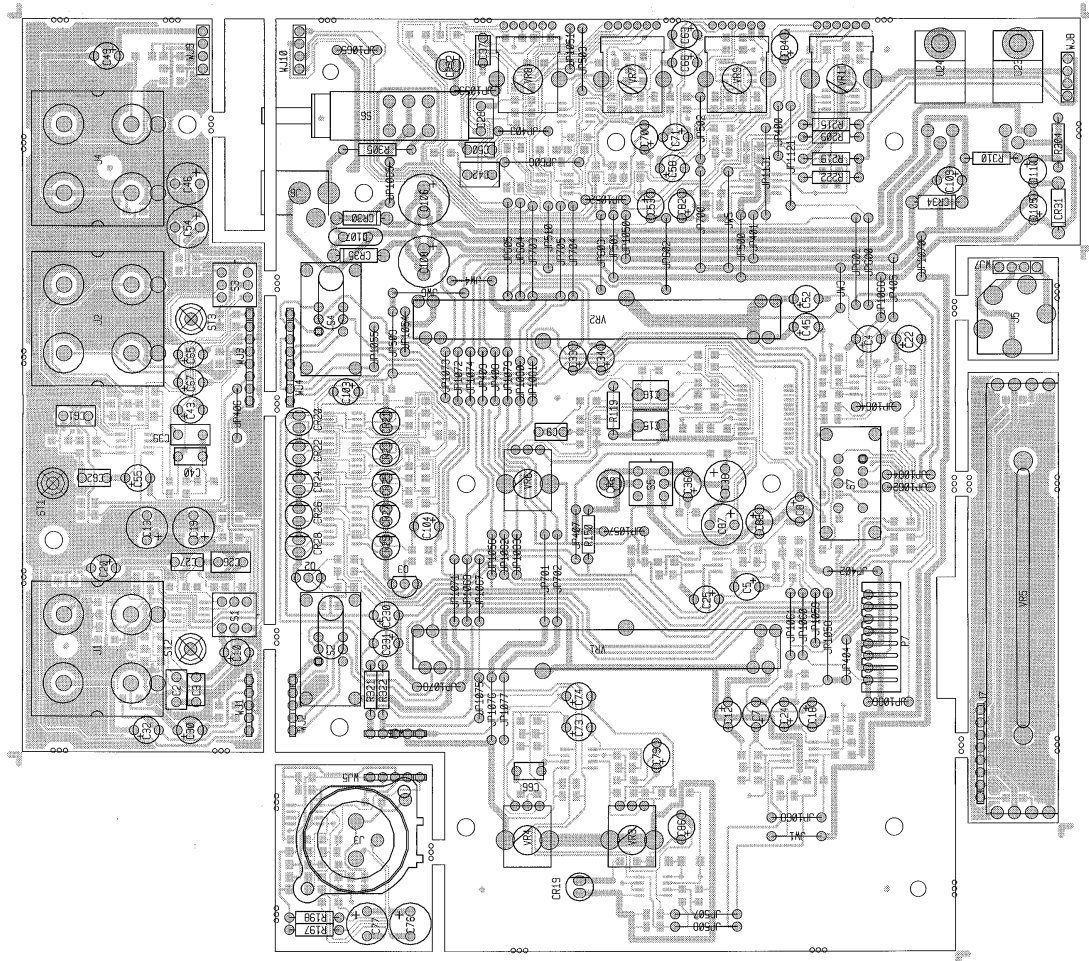
BOARD NAME: 3DMIXPRO  
 PART PART DESCRIPTION AND  
 \*\* QTY. NAME VALUE NUMBER DEVICE DESIGNATIONS \*\*\*\*\*  
 \*\*\*\*\*

QTY.	NAME	VALUE	NUMBER	DESCRIPTION AND DEVICE DESIGNATIONS
1	.0018M	.0018M	70330127	.0018M 5% 50vdc my T&A
				C183
5	.0047M	.0047M	70330116	.0047 MED 50VDC 5% MY T&A
				C104, C127, C135, C158, C206
4	.018M	.018M	70330126	.018M 5% 50vdc my T&A
				C103, C126, C134, C157
1	.01CD	.01CD	70320248	.01MF---20%---1000VDC---CD---T&A
				C14
4	.01M	.01M	70330155	.01MF 5% 50VDC MY T&A
				C102, C128, C133, C159
1	.047M	.047M	70330136	.047M 5% 50vdc my T&A
				C175
67	.1S	.1	70300035	.1MF Z5U 50V 20% SMT 1206
				C1, C6, C7, C900, C901, C902, C903, C904, C905, C906, C907, C908, C909, C910, C911, C912, C913, C914, C915, C916, C917, C918, C919, C920, C921, C922, C923, C924, C925, C926, C927, C928, C929, C930, C931, C932, C933, C934, C935, C936, C937, C938, C939, C940, C941, C942, C943, C944, C945, C946, C947, C948, C949, C950, C951, C952, C953, C954, C955, C956, C957, C958, C959, C991, C992, C993, C999
6	.22M	.22M	70330128	.22M 5% 50vdc my T&A
				C259, C260, C261, C268, C269, C270
3	.27M	.27M	70330123	.27mf 5% 50vdc my T&A
				C188, C189, C190
2	.47SF2	.47SF2	70330148	.47MF 5% 100VDC SF T&A
				C209, C214
1	1.1KS	1.1K	70200083	1.1K---1/8W---5%---SMT 1206
				R8
1	1.3KS	1.3K	70200062	1.3K---1/8W---5%---SM
				R240
1	1.43KP1	1.43KP1	70241039	1.43K-1/4W-1%-MF-T&R
				R30
1	1.5KPS1	1.5KP1	70200128	1.5K-1/8W-1%-SMT1206
				R300
3	1.6KS	1.6K	70200082	1.6K---1/8W---5%---SMT 1206
				R7, R380, R401
4	1.8KS	1.8K	70200135	1.8K-1/8W-5%---SM
				R102, R149, R156, R203
4	10	10	70240003	10---1/4W---5%---CF-T&R
				R23, R24, R25, R26
2	1000R35	1000R35	70320186	1000MF---20%---35VDC---EL-T&A
				C11, C15
4	100KS	100K	70200034	100K---1/8W---5%---SM
				R18, R19, R281, R284
11	100PFS	100PF	70300044	100PF COG 50V 5% SMT 1206
				C113, C115, C144, C146, C186, C249, C253, C262, C264, C271
4	100R16	100r16	70320265	100MF-20%-16V-EL-T&A
				C112, C118, C143, C149
25	100S	100	70200013	100---1/8W---5%---smt
				R070, R110, R126, R144, R161, R164, R180, R198, R246, R257, R266, R269, R271, R283, R320, R341, R374, R376, R391, R392, R395, R397, R412, R413, R425
4	10PF	10PF	70240095	10PF-1/4W-5%-FP-T&R
				R357, R360, R369, R371
1	10K	10K	70240025	10K---1/4W---5%---CF-T&R
				R31
16	10KPIS	10kp1	70200051	10K---1/8W---1%---SMT
				R375, R377, R378, R379, R381, R382, R386, R393, R396, R398, R399, R400, R402, R403, R407, R414
32	10KS	10K	70200028	10K---1/8W---5%---SMT
				R20, R101, R105, R108, R117, R154, R148, R155, R159, R162, R171, R188, R207, R261, R263, R264, R274, R276, R287, R295, R309, R311, R328, R335, R338, R339, R342, R359, R368, R424, R426, R430
3	10PFS	10PF	70300010	10PF COG 50V 5% SMT 1206
				C179, C229, C243
1	110KPIS	110KP1	70200131	110K-1/8W-1%-SMT1206
				R293
2	120S	120	70200048	120---1/8W---5%---SMT 1206
				R13, R16
4	121KS	121k	70200057	121K-1/8W-5%---SM
				R109, R142, R163, R196
1	124P1	124P1	70240075	124OHM 1% 1/4W MF T&R
				R28
2	12KS	12K	70200029	12K-1/8W-5%---SMT
				R326, R348
6	150KS	150K	70200109	150K-1/8W-5%---SM
				R111, R139, R165, R193, R321, R346
8	15KS	15K	70200080	15K-1/8W-5%---SM
				R113, R121, R130, R141, R167, R175, R184, R195
1	1740	1740	70401740	2SC1740SLN 40V, I.A. NPN, LOW NOISE T&A
				Q11
1	18K	18K	70240028	18K---1/4W---5%---CF-T&R
				R27
9	1KPIS	1kp1	70200047	1k---1/8W---1%---SMT
				R214, R215, R218, R219, R229, R230, R233, R234, R299
4	1KS	1K	70200019	1k---1/8W---5%---smt
				R10, R305, R417, R423
7	1N4003	1N4003	70464003	1N4003 200V SILICON DIODE
CR29, CR30, CR31, CR32, CR33, CR34, CR36				
33	1N4148S	4148	70418026	1N4148 (LL34) DIODE SMT
				CR4, CR5, CR101, CR102, CR105, CR106, CR108, CR109, CR110, CR111, CR112, CR113, CR114, CR115, CR116, CR117, CR120, CR121, CR124, CR125, CR126, CR127, CR130, CR131, CR132, CR134, CR135, CR136, CR137, CR138, CR139, CR140, CR141
1	1N751S	1N751	70418027	5.1V, 5%, 500MAW, ZENER, SMT (LL34)
				CR1
2	2.2K	2.2K	70240020	2.2K-1/4W-5%---CF-T&R
				R358, R370
5	2.2KS	2.2K	70200021	2.2K---1/8W---5%---smt
				R6, R221, R236, R416, R422
2	2.2RS0	2.2RS0	70320180	2.2MF---20%---50VDC---EL-T&A
				C4, C5
4	2.67KPIS	2.67K	70200068	2.67K-1/8W-1%---SMT 1206
				R383, R387, R404, R408
3	2068H	2068	70418150	NMPO688 LOW NOISE DUAL OP AMP-SMT
				U10, U15, U19
2	20KPIS	20kp1	70200059	20K-1/8W-1%---SMT
				R322, R343
2	2200PFAC	2200PFAC	70320158	2200PF 400VAC
				C19, C20
6	220KS	220K	70200044	220K-1/8W-5%---SMT
				R62, R268, R280, R285, R390, R411
3	220R16	220R16	70320293	2200UF16V, RAD, T&A
				C212, C220, C225
5	220S	220	70200016	220---1/8W---5%---smt
				R12, R116, R156, R170, R190
2	22K	22K	70240029	22K-1/4W-5%---CF-T&R
				R302, R316
20	22KS	22K	70200031	22K-1/8W-5%---SMT
				R119, R133, R147, R150, R151, R173, R174, R175, R176, R177, R178, R238, R241, R254, R255, R265, R267, R273, R277
5	22PFS	22PF	70300011	22PF COG 50V 5% SMT 1206
				C107, C121, C138, C152, C193
11	22RS0	22RS0	70320181	22MF---20%---50VDC---EL-T&A
				C2, C3, C8, C9, C13, C16, C17, C18, C219, C248, C252
4	22S	22	70200052	22---1/8W---5%---SMT
				R33, R125, R179, R308
2	220S1W	70901856	70901856	SPCR, 1/4R(40), 187 SW, AL
				ST1, ST2
9	3.3K	3.3K	70240022	3.3K-1/4W-5%---CF-T&R
				R29, R32, R100, R154, R251, R258, R288, R304, R318

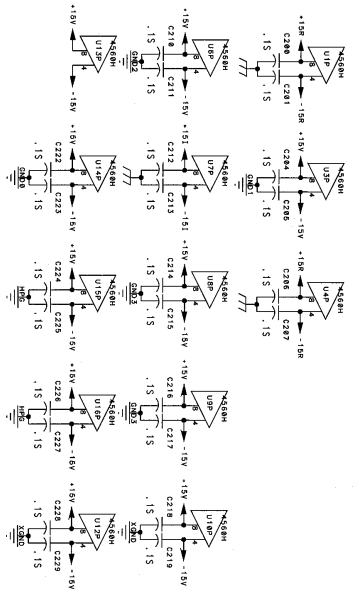
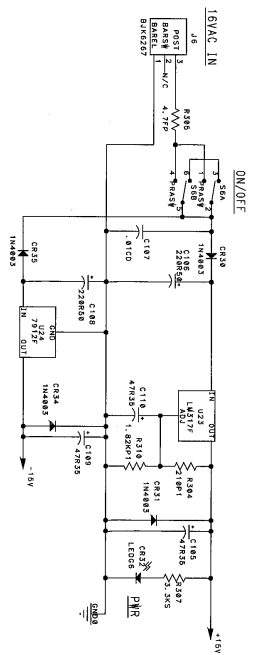
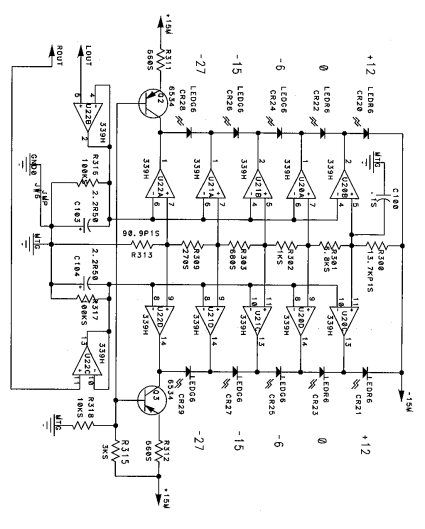


3D MIX  
SECONDARY SIDE

3D MIX



3D MIX  
PRIMARY SIDE



CHAN 1

1P11	1-1	1-1	1-1
1P12	1-1	1-1	1-1
1P13	1-1	1-1	1-1
1P14	1-1	1-1	1-1
1P15	1-1	1-1	1-1
1P16	1-1	1-1	1-1
1P17	1-1	1-1	1-1
1P18	1-1	1-1	1-1
1P19	1-1	1-1	1-1
1P20	1-1	1-1	1-1
1P21	1-1	1-1	1-1
1P22	1-1	1-1	1-1
1P23	1-1	1-1	1-1
1P24	1-1	1-1	1-1
1P25	1-1	1-1	1-1
1P26	1-1	1-1	1-1
1P27	1-1	1-1	1-1
1P28	1-1	1-1	1-1
1P29	1-1	1-1	1-1
1P30	1-1	1-1	1-1

CHAN 2

1P31	1-1	1-1	1-1
1P32	1-1	1-1	1-1
1P33	1-1	1-1	1-1
1P34	1-1	1-1	1-1
1P35	1-1	1-1	1-1
1P36	1-1	1-1	1-1
1P37	1-1	1-1	1-1
1P38	1-1	1-1	1-1
1P39	1-1	1-1	1-1
1P40	1-1	1-1	1-1
1P41	1-1	1-1	1-1
1P42	1-1	1-1	1-1
1P43	1-1	1-1	1-1
1P44	1-1	1-1	1-1
1P45	1-1	1-1	1-1
1P46	1-1	1-1	1-1
1P47	1-1	1-1	1-1
1P48	1-1	1-1	1-1
1P49	1-1	1-1	1-1
1P50	1-1	1-1	1-1

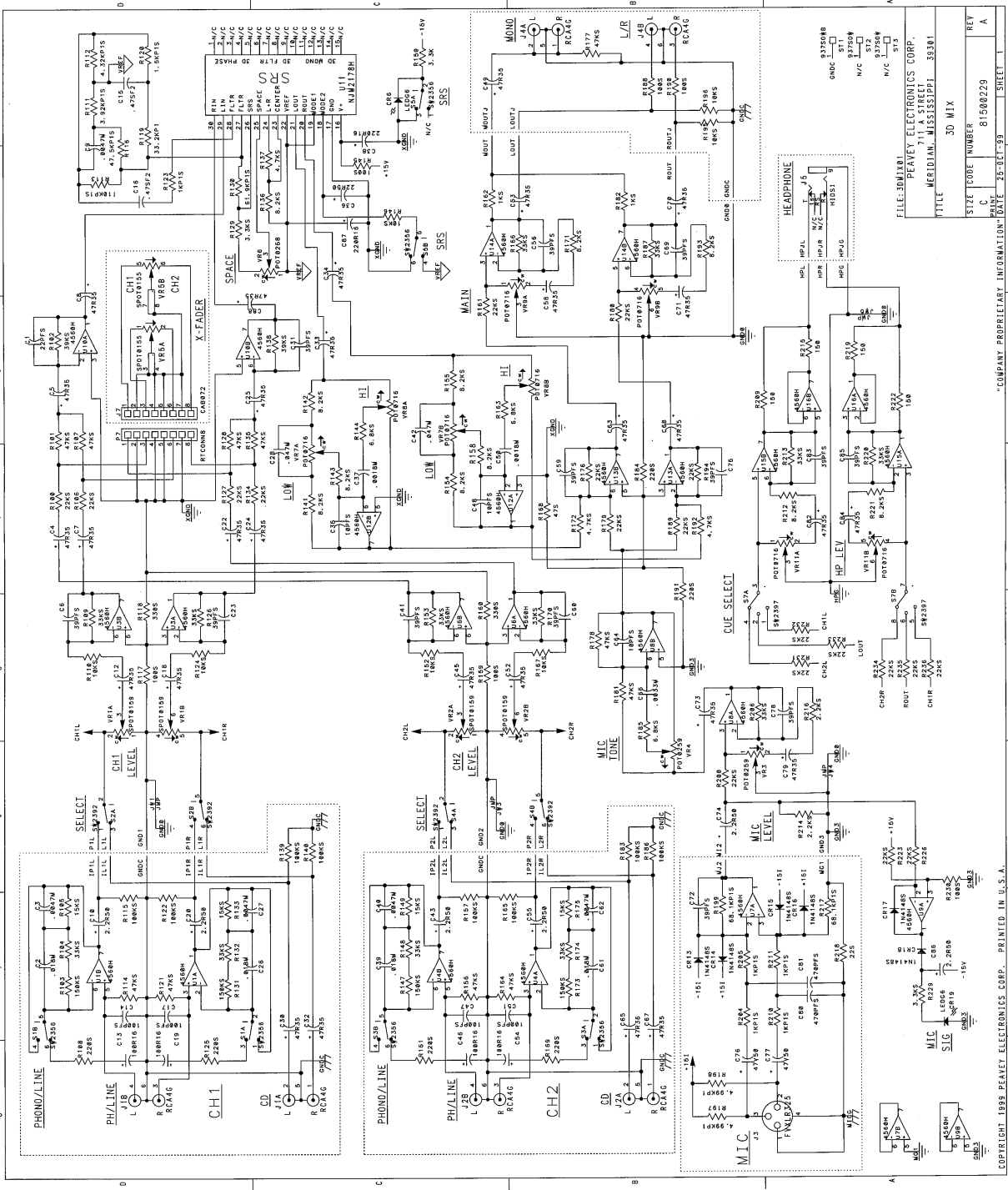
HEADPHONE

HP11	1-1	1-1	1-1
HP12	1-1	1-1	1-1
HP13	1-1	1-1	1-1
HP14	1-1	1-1	1-1
HP15	1-1	1-1	1-1
HP16	1-1	1-1	1-1
HP17	1-1	1-1	1-1
HP18	1-1	1-1	1-1
HP19	1-1	1-1	1-1
HP20	1-1	1-1	1-1
HP21	1-1	1-1	1-1
HP22	1-1	1-1	1-1
HP23	1-1	1-1	1-1
HP24	1-1	1-1	1-1
HP25	1-1	1-1	1-1
HP26	1-1	1-1	1-1
HP27	1-1	1-1	1-1
HP28	1-1	1-1	1-1
HP29	1-1	1-1	1-1
HP30	1-1	1-1	1-1

OUTPUT

OP11	1-1	1-1	1-1
OP12	1-1	1-1	1-1
OP13	1-1	1-1	1-1
OP14	1-1	1-1	1-1
OP15	1-1	1-1	1-1
OP16	1-1	1-1	1-1
OP17	1-1	1-1	1-1
OP18	1-1	1-1	1-1
OP19	1-1	1-1	1-1
OP20	1-1	1-1	1-1
OP21	1-1	1-1	1-1
OP22	1-1	1-1	1-1
OP23	1-1	1-1	1-1
OP24	1-1	1-1	1-1
OP25	1-1	1-1	1-1
OP26	1-1	1-1	1-1
OP27	1-1	1-1	1-1
OP28	1-1	1-1	1-1
OP29	1-1	1-1	1-1
OP30	1-1	1-1	1-1

COMPARISON REGULATIONS  
 PEAVEX ELECTRONICS CORP.  
 711 A STREET  
 MERIDIAN, MISSISSIPPI 39301  
 SIZE CODE NUMBER 81500229  
 DATE 25-07-83



FILE:304101  
 PEAVEY ELECTRONICS CORP.  
 711 A STREET  
 MERIDIAN, MISSISSIPPI 39301

SIZE CODE NUMBER 81500229  
 SHEET 1 A

30 MIX

COMPANY PROPRIETARY INFORMATION DATE 25-OCT-99

PRINTED IN U.S.A.

Copyright 1999 Peavey Electronics Corp.



1 619KPI1S 619KPI1S 70200122 619K-1/8W-1%-SMT 1206  
     R130  
 2 6534 6534 70466533 MFS-6533/34-TO-92 PNP TRANS T&A  
     Q2, Q3  
 2 681KPI1S 681KPI1 70200121 681K 1/8W-1%-SMT 1206  
     R199, R217  
 1 680S 680 70200018 680-1/8W-5%-SMT  
     R303  
 1 7912F 7912F 70400315 7912F-3-TERM-12V REG(ISO) T220  
     U24  
 11 82KS 82K 70200042 82K-1/8W-5%-SMT  
     R136, R141, R142, R143, R154, R155  
     R158, R171, R193, R212, R221  
 2 89PC12 70600028 8C PRE-TIN .100 CTR 2.5" JMP (SPLIT  
     VERSION)  
     W13, W14  
 1 909P1S 909P1 70200142 909-1/8W-1%-SMT1206  
     R313  
 2 937SOW 70900786 70900786 SPACER, 15/16R(#4), 187 SWAGE ALUM.  
     S12, S13  
 1 937SOWB 70901296 70901296 BRASS 4-40 X 15/16 SWAGE STANDOFF  
     S11  
 1 BIK6267 71466267 DC POWER JACK W/O SCREW-TERMINALS  
     J6  
 1 CAB072 CAB072 70600072 8C .1" VERT RIBBON CABLE ASSY 4"  
     J7  
 1 FVXLR325 71466325 Connector, Female XLR  
     J3  
 1 HIDS1 71466216 STEREO HD JACK INSU W/SPD  
     J5  
     9 LEDG6 LEDG6 70450051 LED, T-1, GRN, W/.500" SPCR - T&A  
         CR6, CR19, CR24, CR25, CR26, CR27, CR28,  
         CR29, CR32  
 4 LEDR6 LEDR6 70450050 LED, T-1, RED, W/.500" SPCR - T&A  
     CR20, CR21, CR22, CR23  
 1 LM317F LM317F 70400316 LM317 ADJ REG (ISO TAB) T220  
     U23  
 1 N3M2178H N3M2178 70418163 N3M2178 SRS 3D SMD SMT  
     U11  
 1 POT0258 71190258 10K-STD-9MM  
     VR6  
 2 POT0259 71190259 50KB-STD-9MM-W/DTT  
     VR3, VR4  
 4 POT0716 POT0716 71190716 50KBX2 DUAL 12MM ROT POT W/DTT  
     VR7, VR8, VR9, VR11  
 1 PRASW PRASW 71322289 DDDT P/P CE MNT SWITCH

3 RCA4G RCA4G 71466271 QUAD GOLD RCA PHONO 24MM  
     J1, J2, J4  
 1 RTCONN8 73716724 73716724 .098" VIBRA HEADER - 8PIN SHROUDED  
     P7  
 1 SPOT0155 71190155 71190155 20K DUAL 45MM XFADER  
     VR5  
 2 SPOT0159 71190159 10KY 60MM DUAL STD FADER  
     VR1, VR2  
 3 SW2356 71322356 DDDT PUSH BUTTON SW 28MM SO SHAFT  
     S1, S3, S5  
 2 SW2392 71322392 71322392 DDDT TOGGLE SLIDE PC MNT  
     S2, S4  
 1 SW2397 71322397 71322397 2P3T BLK BAT HANDLE SWITCH  
     S7  
     \*\*\*\*\*

BOARD NAME: 3DMIX PARTY NAME: AVI  
 DESCRIPTION AND DEVICE DESIGNATIONS  
 \*\*\*\*\*  
 \*\*\*\*\*  
 \*\*\*\*\*

2	.0018M	.0018M	70330127	.0018M 5% 50vdc my T&A	4 150KS	150K	70200109	150K-1/8W-5%---SM	3 339H	339H	70418110	LM339D QUAD COMP IC- SMT S014
					4 15KS	15K	R103, R131, R147, R173				U20, U21, U22	
					5 1KPIS	1kp1	70200047	1k---1/8W-1%---SMT	13 33KS	33K	70200063	33K-1/8W-5%---SM
					3 1KS	1K	R105, R133, R149, R175				R104, R109, R126, R132, R148, R153,	
					4 IN4003	IN4003	R123, R204, R205, R210, R211	IN4003 200V SILICON DIODE			R166, R170, R174, R187, R206, R213, R220	
					6 IN4148S	4148	R162, R182, R302	IN4148 (LL34) DIODE SMT			70200091	39K-1/8W-5%---SMT 1206
					2 2.2KS	2.2K	CR30, CR31, CR34, CR35				R102, R138	
					8 2.2R50	2.2R50	70418026	2.2Mf---20%---50VDC---EL-T&A	13 39PFS	39PF	70300012	39PF COG 50V 5% SMT 1206
					1 210P1	210P1	CR13, CR14, CR15, CR16, CR17, CR18				C6, C23, C31, C41, C56, C59, C60, C69,	
					2 220R16	220R16	70200021	2.2K---1/8W-5%---smt			C72, C75, C78, C83, C85	
					2 220R50	220R50	R214, R216				70200081	3K-1/8W-5%---SMT 1206
					6 220S	220	C10, C20, C43, C55, C74, C86, C103, C104				R315	
					19 22KS	22K	70200031	22K-1/8W-5%---SMT			R112	
					1 22PFS	22PF	R100, R106, R127, R134, R161, R176,				4.77P	4.77P
					1 22S	22	R179, R180, R189, R194, R200, R223,				4.77P	4.77P
					1 270S	270	R226, R231, R232, R233, R234, R235, R236				4.77P	4.77P
					1 3.3KS	3.3K	70300011	22PF COG 50V 5% SMT 1206				4.77P
					3 3.3KS	3.3K	CI					4.77P
					1 3.92KPS	3.92KPS	C38, C87					4.77P
					1 33.2KP1	33.2KP1	70200016	220---1/8W-5%---smt				4.77P
					2 330S	330	C106, C108					4.77P
					1 33.2KP1	33.2KP1	R108, R125, R151, R169, R184, R191					4.77P
					1 33.2KP1	33.2KP1	70200016	220---1/8W-5%---smt				4.77P
					1 33.2KP1	33.2KP1	70200031	22K-1/8W-5%---SMT				4.77P
					1 33.2KP1	33.2KP1	R100, R106, R127, R134, R161, R176,					4.77P
					1 33.2KP1	33.2KP1	R179, R180, R189, R194, R200, R223,					4.77P
					1 33.2KP1	33.2KP1	R226, R231, R232, R233, R234, R235, R236					4.77P
					1 33.2KP1	33.2KP1	70300011	22PF COG 50V 5% SMT 1206				4.77P
					1 33.2KP1	33.2KP1	CI					4.77P
					1 33.2KP1	33.2KP1	C38, C87					4.77P
					1 33.2KP1	33.2KP1	70200016	220---1/8W-5%---smt				4.77P
					1 33.2KP1	33.2KP1	R108, R125, R151, R169, R184, R191					4.77P
					1 33.2KP1	33.2KP1	70200031	22K-1/8W-5%---SMT				4.77P
					1 33.2KP1	33.2KP1	R100, R106, R127, R134, R161, R176,					4.77P
					1 33.2KP1	33.2KP1	R179, R180, R189, R194, R200, R223,					4.77P
					1 33.2KP1	33.2KP1	R226, R231, R232, R233, R234, R235, R236					4.77P
					1 33.2KP1	33.2KP1	70300011	22PF COG 50V 5% SMT 1206				4.77P
					1 33.2KP1	33.2KP1	CI					4.77P
					1 33.2KP1	33.2KP1	C38, C87					4.77P
					1 33.2KP1	33.2KP1	70200016	220---1/8W-5%---smt				4.77P
					1 33.2KP1	33.2KP1	R108, R125, R151, R169, R184, R191					4.77P
					1 33.2KP1	33.2KP1	70200031	22K-1/8W-5%---SMT				4.77P
					1 33.2KP1	33.2KP1	R100, R106, R127, R134, R161, R176,					4.77P
					1 33.2KP1	33.2KP1	R179, R180, R189, R194, R200, R223,					4.77P
					1 33.2KP1	33.2KP1	R226, R231, R232, R233, R234, R235, R236					4.77P
					1 33.2KP1	33.2KP1	70300011	22PF COG 50V 5% SMT 1206				4.77P
					1 33.2KP1	33.2KP1	CI					4.77P
					1 33.2KP1	33.2KP1	C38, C87					4.77P
					1 33.2KP1	33.2KP1	70200016	220---1/8W-5%---smt				4.77P
					1 33.2KP1	33.2KP1	R108, R125, R151, R169, R184, R191					4.77P
					1 33.2KP1	33.2KP1	70200031	22K-1/8W-5%---SMT				4.77P
					1 33.2KP1	33.2KP1	R100, R106, R127, R134, R161, R176,					4.77P
					1 33.2KP1	33.2KP1	R179, R180, R189, R194, R200, R223,					4.77P
					1 33.2KP1	33.2KP1	R226, R231, R232, R233, R234, R235, R236					4.77P
					1 33.2KP1	33.2KP1	70300011	22PF COG 50V 5% SMT 1206				4.77P
					1 33.2KP1	33.2KP1	CI					4.77P
					1 33.2KP1	33.2KP1	C38, C87					4.77P
					1 33.2KP1	33.2KP1	70200016	220---1/8W-5%---smt				4.77P
					1 33.2KP1	33.2KP1	R108, R125, R151, R169, R184, R191					4.77P
					1 33.2KP1	33.2KP1	70200031	22K-1/8W-5%---SMT				4.77P
					1 33.2KP1	33.2KP1	R100, R106, R127, R134, R161, R176,					4.77P
					1 33.2KP1	33.2KP1	R179, R180, R189, R194, R200, R223,					4.77P
					1 33.2KP1	33.2KP1	R226, R231, R232, R233, R234, R235, R236					4.77P
					1 33.2KP1	33.2KP1	70300011	22PF COG 50V 5% SMT 1206				4.77P
					1 33.2KP1	33.2KP1	CI					4.77P
					1 33.2KP1	33.2KP1	C38, C87					4.77P
					1 33.2KP1	33.2KP1	70200016	220---1/8W-5%---smt				4.77P
					1 33.2KP1	33.2KP1	R108, R125, R151, R169, R184, R191					4.77P
					1 33.2KP1	33.2KP1	70200031	22K-1/8W-5%---SMT				4.77P
					1 33.2KP1	33.2KP1	R100, R106, R127, R134, R161, R176,					4.77P
					1 33.2KP1	33.2KP1	R179, R180, R189, R194, R200, R223,					4.77P
					1 33.2KP1	33.2KP1	R226, R231, R232, R233, R234, R235, R236					4.77P
					1 33.2KP1	33.2KP1	70300011	22PF COG 50V 5% SMT 1206				4.77P
					1 33.2KP1	33.2KP1	CI					4.77P
					1 33.2KP1	33.2KP1	C38, C87					4.77P
					1 33.2KP1	33.2KP1	70200016	220---1/8W-5%---smt				4.77P
					1 33.2KP1	33.2KP1	R108, R125, R151, R169, R184, R191					4.77P
					1 33.2KP1	33.2KP1	70200031	22K-1/8W-5%---SMT				4.77P
					1 33.2KP1	33.2KP1	R100, R106, R127, R134, R161, R176,					4.77P
					1 33.2KP1	33.2KP1	R179, R180, R189, R194, R200, R223,					4.77P
					1 33.2KP1	33.2KP1	R226, R231, R232, R233, R234, R235, R236					4.77P
					1 33.2KP1	33.2KP1	70300011	22PF COG 50V 5% SMT 1206				4.77P
					1 33.2KP1	33.2KP1	CI					4.77P
					1 33.2KP1	33.2KP1	C38, C87					4.77P
					1 33.2KP1	33.2KP1	70200016	220---1/8W-5%---smt				4.77P
					1 33.2KP1	33.2KP1	R108, R125, R151, R169, R184, R191					4.77P
					1 33.2KP1	33.2KP1	70200031	22K-1/8W-5%---SMT				4.77P
					1 33.2KP1	33.2KP1	R100, R106, R127, R134, R161, R176,					4.77P
					1 33.2KP1	33.2KP1	R179, R180, R189, R194, R200, R223,					4.77P
					1 33.2KP1	33.2KP1	R226, R231, R232, R233, R234, R235, R236					4.77P
					1 33.2KP1	33.2KP1	70300011	22PF COG 50V 5% SMT 1206				4.77P
					1 33.2KP1	33.2KP1	CI					4.77P
					1 33.2KP1	33.2KP1	C38, C87					4.77P
					1 33.2KP1	33.2KP1	70200016	220---1/8W-5%---smt				4.77P
					1 33.2KP1	33.2KP1	R108, R125, R151, R169, R184, R191					4.77P
					1 33.2KP1	33.2KP1	70200031	22K-1/8W-5%---SMT				4.77P
					1 33.2KP1	33.2KP1	R100, R106, R127, R134, R161, R176,					4.77P
					1 33.2KP1	33.2KP1	R179, R180, R189, R194, R200, R223,					4.77P
					1 33.2KP1	33.2KP1	R226, R231, R232, R233, R234, R235, R236					4.77P
					1 33.2KP1	33.2KP1	70300011	22PF COG 50V 5% SMT 1206				4.77P
					1 33.2KP1	33.2KP1	CI					4.77P
					1 33.2KP1	33.2KP1	C38, C87					4.77P
					1 33.2KP1	33.2KP1	70200016	220---1/8W-5%---smt				4.77P