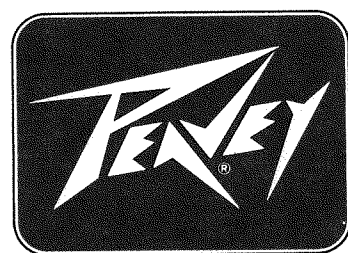
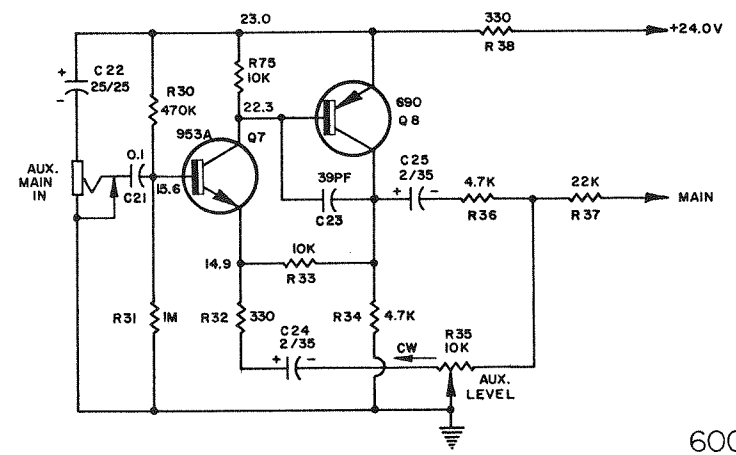
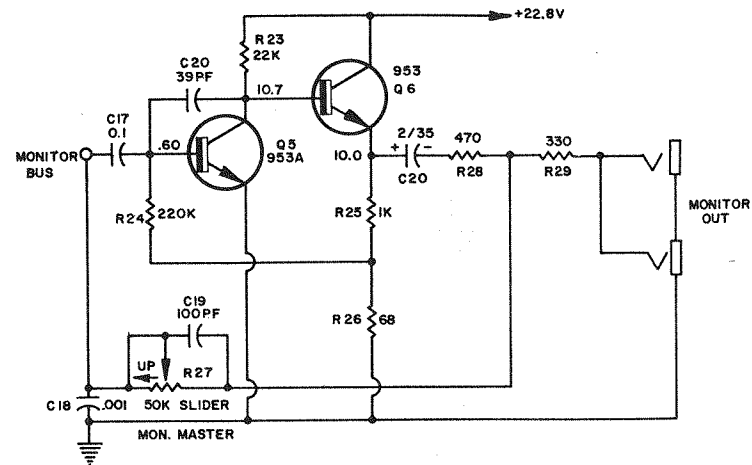
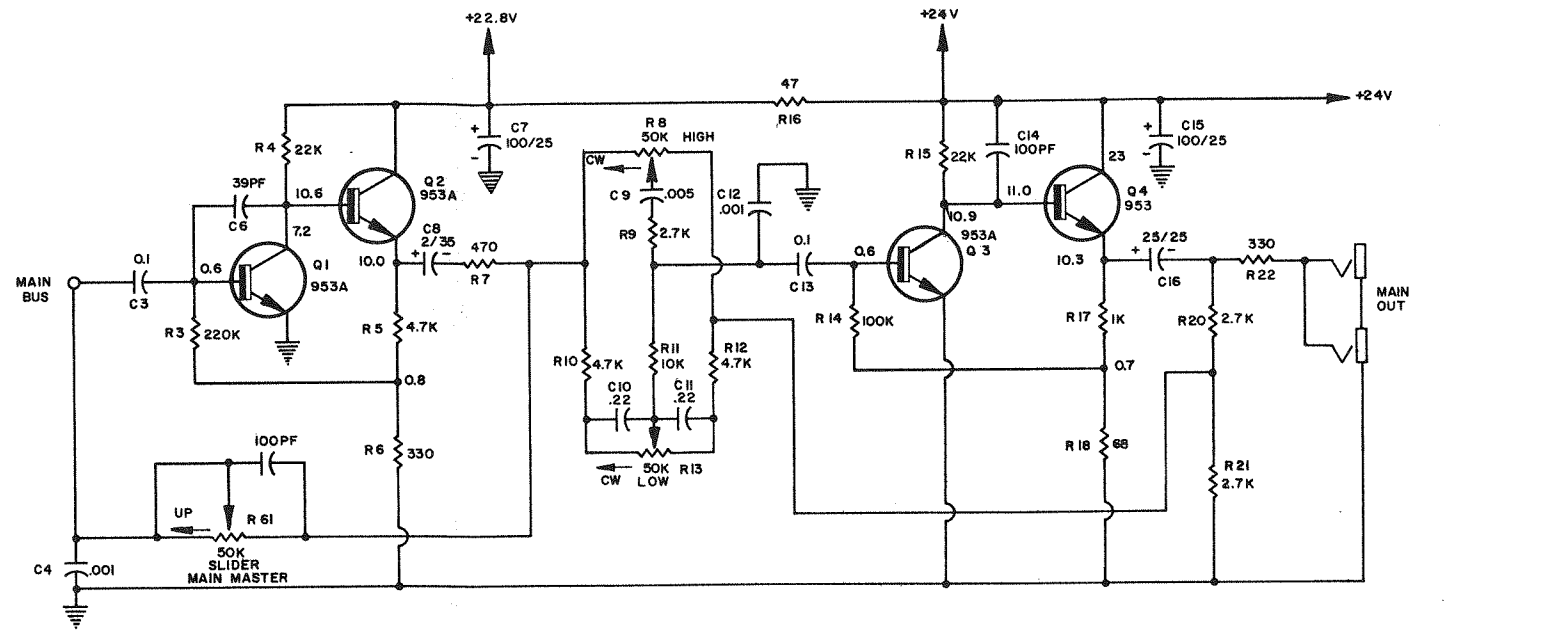


NOTE
ALL TRANSISTORS SPS 953 UNLESS NOTED
ALL RESISTORS 1/2W UNLESS NOTED
ALL CAPACITORS IN MFD UNLESS NOTED

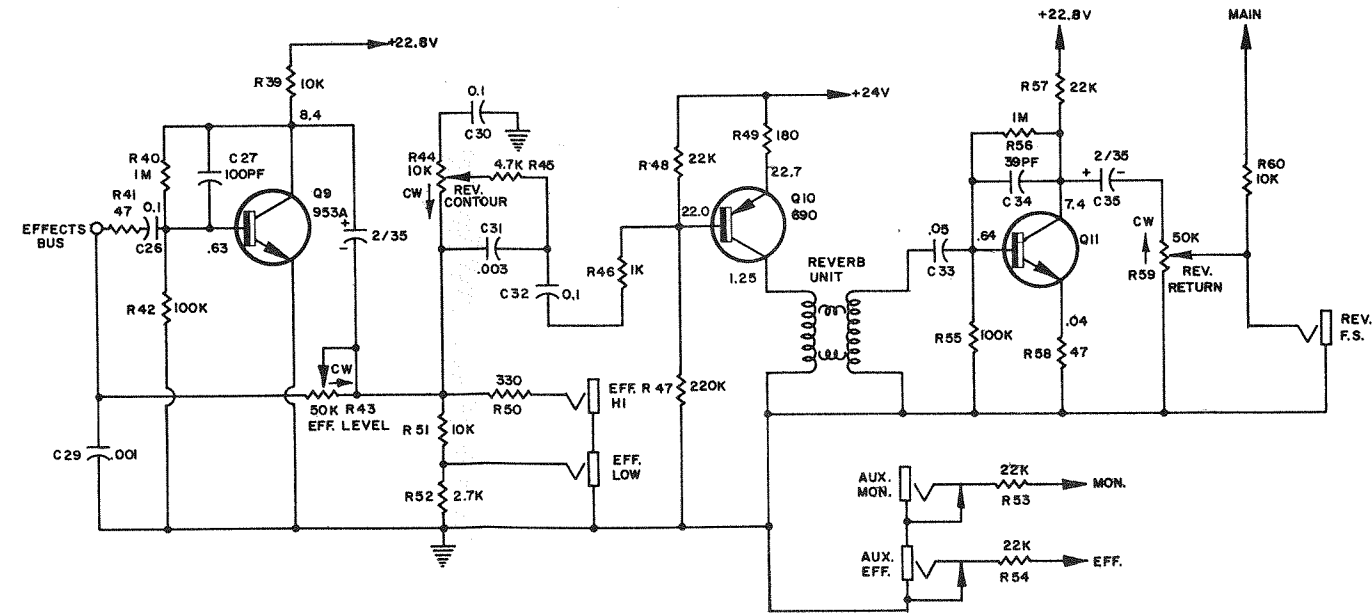
TRANSISTOR COLOR CODE:
953 - GREEN
953A - YELLOW



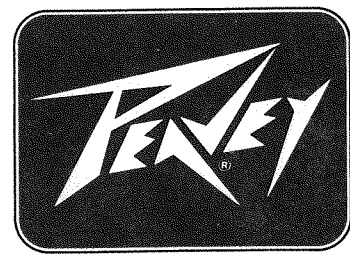
PEAVEY ELECTRONICS
MERIDIAN, MS.
DRW. BY: *[Signature]* DATE: 8-24-76
CK. BY: *Lothar B. Kanuss, Jr.*
APR. BY: *JCL*



**600 MIXER
(MASTER)**



NOTE:
ALL RESISTORS 1/2W UNLESS NOTED
ALL CAPACITORS IN MFD UNLESS NOTED
TRANSISTOR COLOR CODE:
953 - GREEN
953A - YELLOW
953B - ORANGE



PEAVEY ELECTRONICS MERIDIAN, MS.	
DRAWN BY <i>L.P.K.</i>	DATE 9-1-76
CHK. BY <i>L.P.K.</i>	
APPR. BY <i>J.C.D.</i>	