

PEAVEY ELECTRONICS CORP.
 711 A STREET
 MERIDIAN, MISSISSIPPI 39301

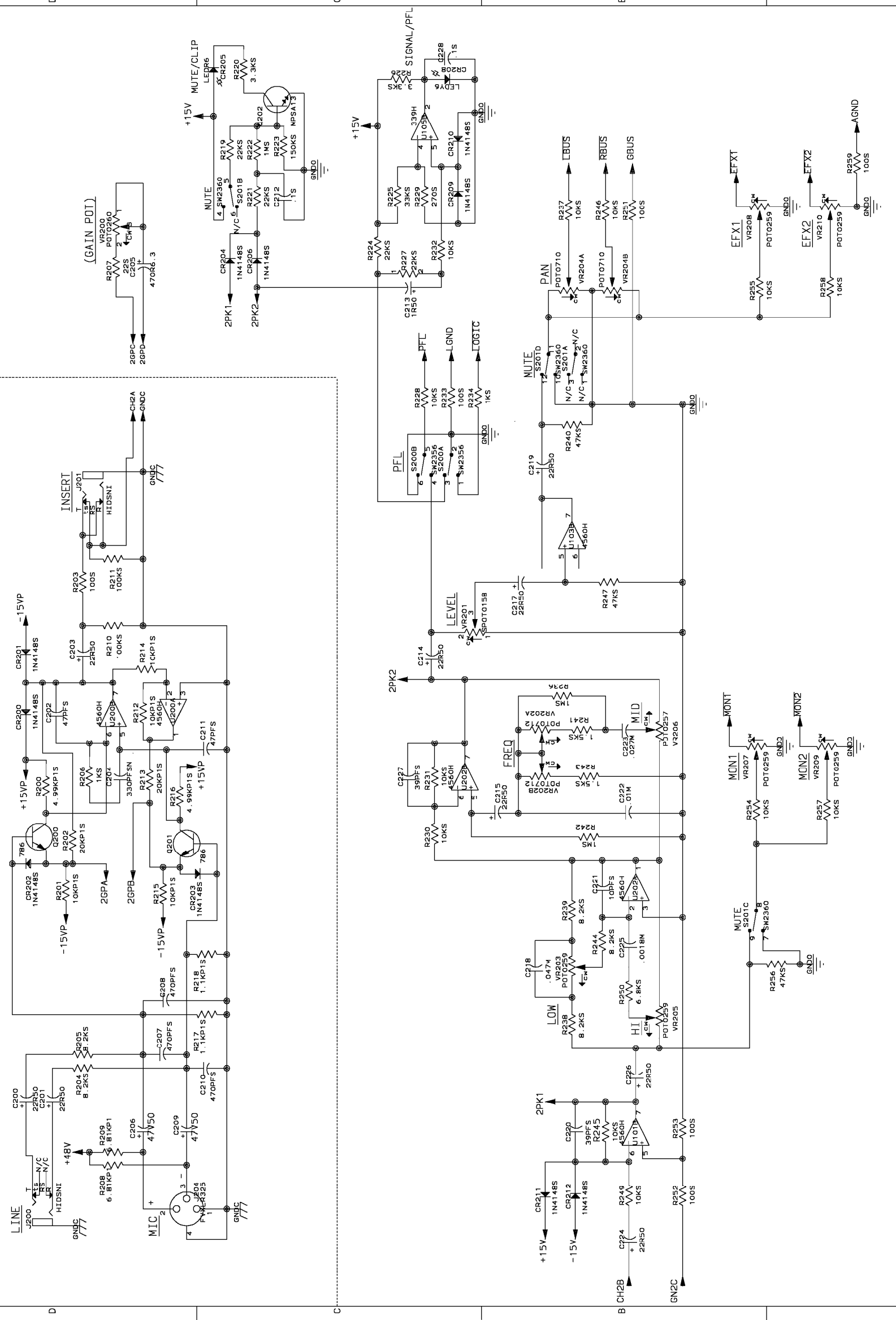
TITLE: AAM802/1602 CHANNEL 1

PROJECT: XXXXXXXX IMRP: XXXXXXXX

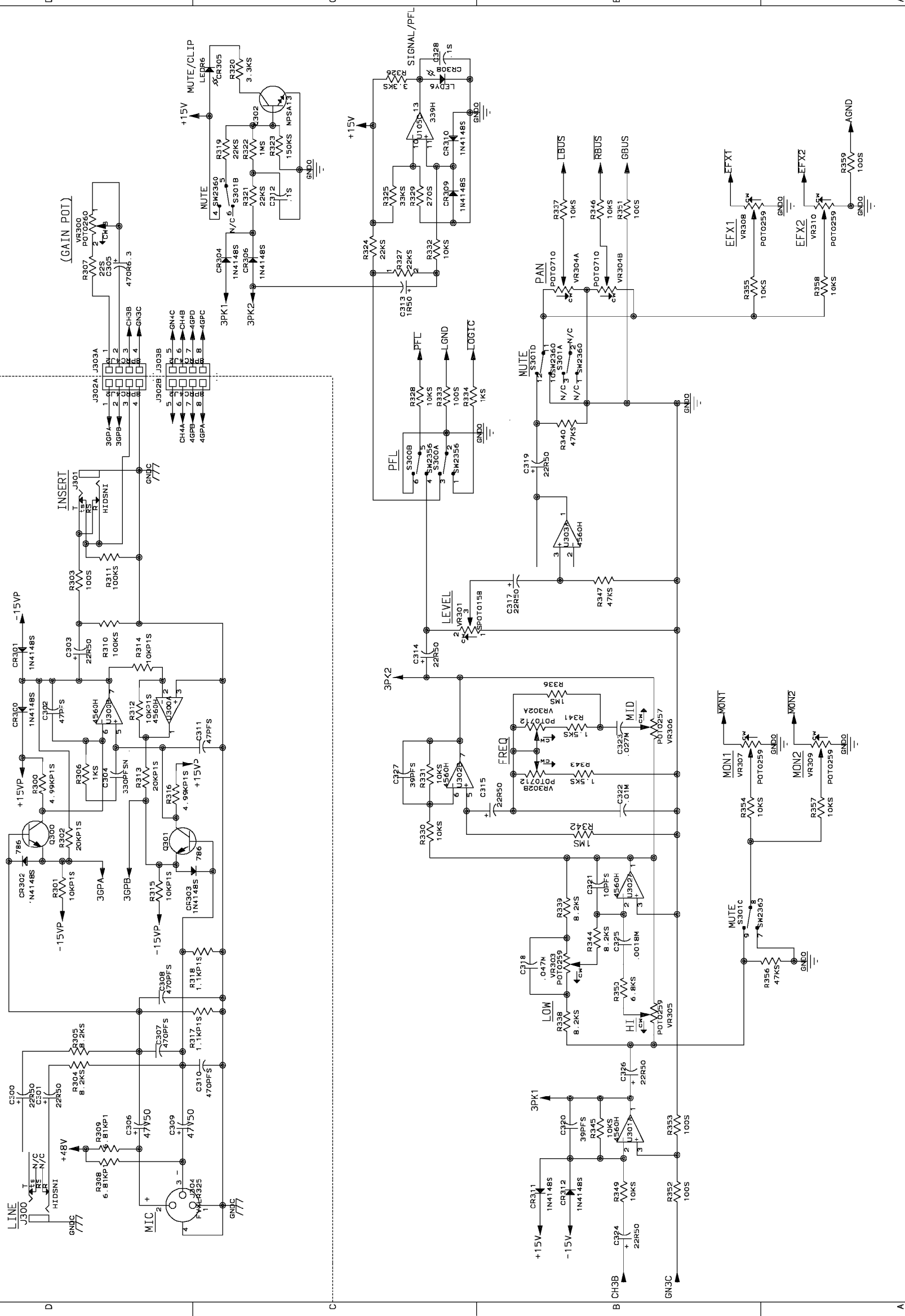
SIZE: NUMBER: 99573103 REV: A

DATE: 29-OCT-2001 SHEET 1 OF 14

"COMPANY PROPRIETARY INFORMATION"
 COPYRIGHT 2001 PEAVEY ELECTRONICS CORP. PRINTED IN U.S.A.



PEAVEY ELECTRONICS CORP.			
711 A STREET			
MERIDIAN, MISSISSIPPI 39301			
TITLE: AAM 802/1602 CHANNEL 2			
PROJECT:	XXXXXXXX	IMPR:	XXXXXXXX
SIZE:	NUMBER: 99573103	REV:	A
DATE:	29-OCT-2001	SHEET:	2 OF 14

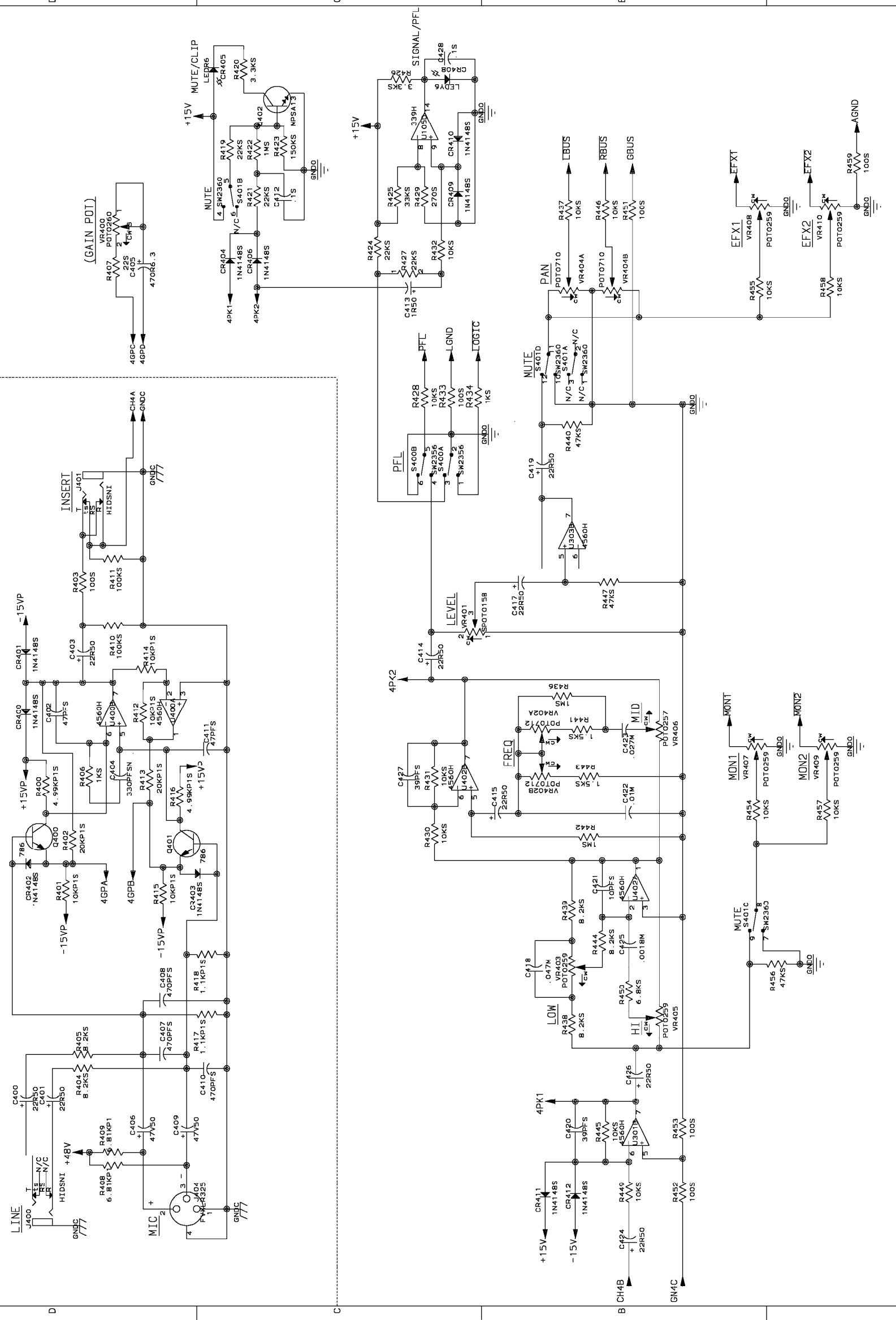


PEAVEY ELECTRONICS CORP.
 711 A STREET
 MERIDIAN, MISSISSIPPI 39301

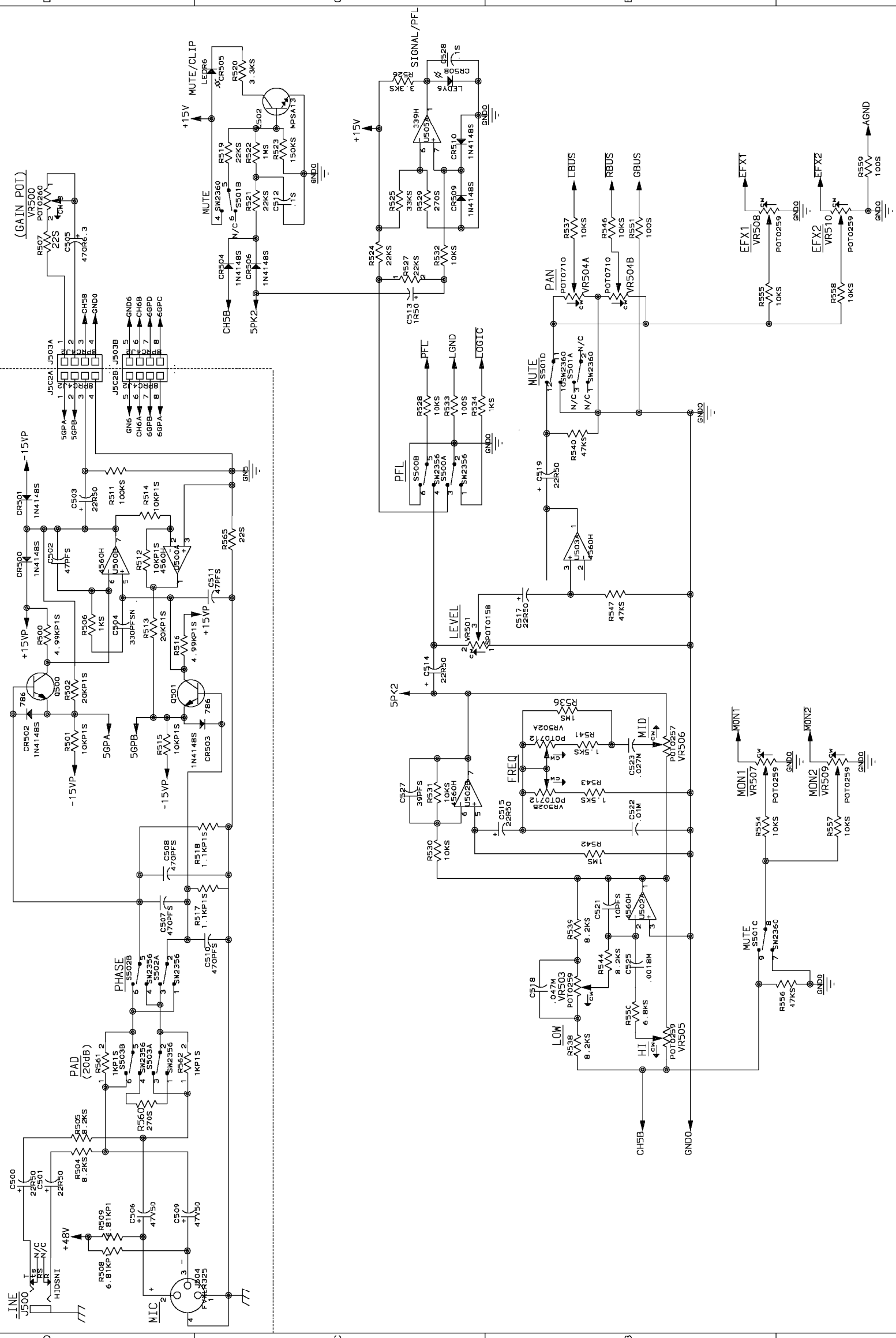
TITLE: AAM 802/1602 CHANNEL 3

PROJECT: XXXXXXXX IMRP: XXXXXXXX
 SIZE: NUMBER: 99573103 REV: A
 C

DATE: 29-OCT-2001 SHEET: 3 OF 14

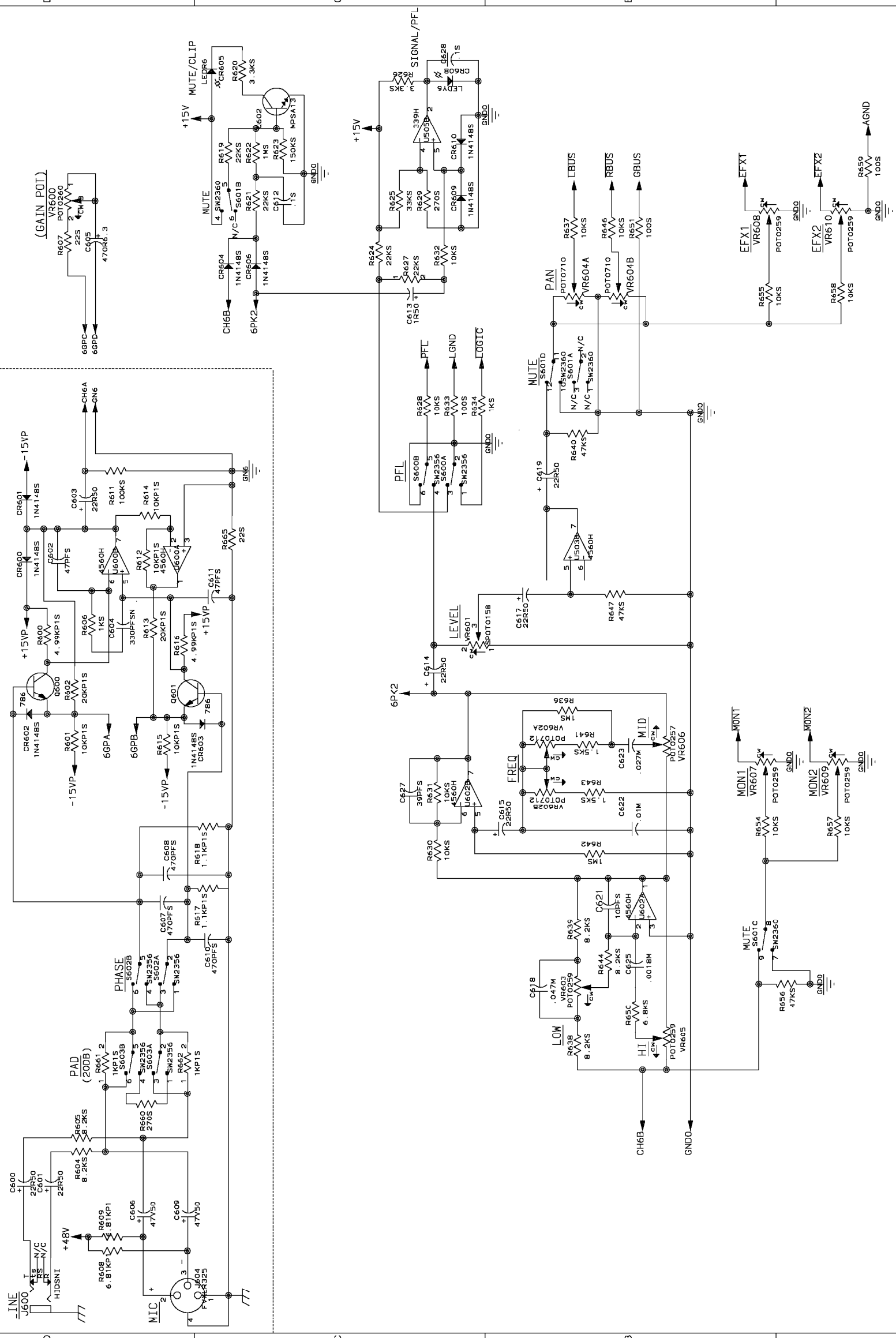


PEAVEY ELECTRONICS CORP.
 711 A STREET
 MERIDIAN, MISSISSIPPI 39301
 TITLE: AAM 802/1602 C-CHANNEL 4
 PROJECT: XXXXXXXX IMRP: XXXXXXXX
 SIZE: NUMBER: 99573103 REV: A
 DATE: 29-OCT-2001 SHEET: 4 OF 14

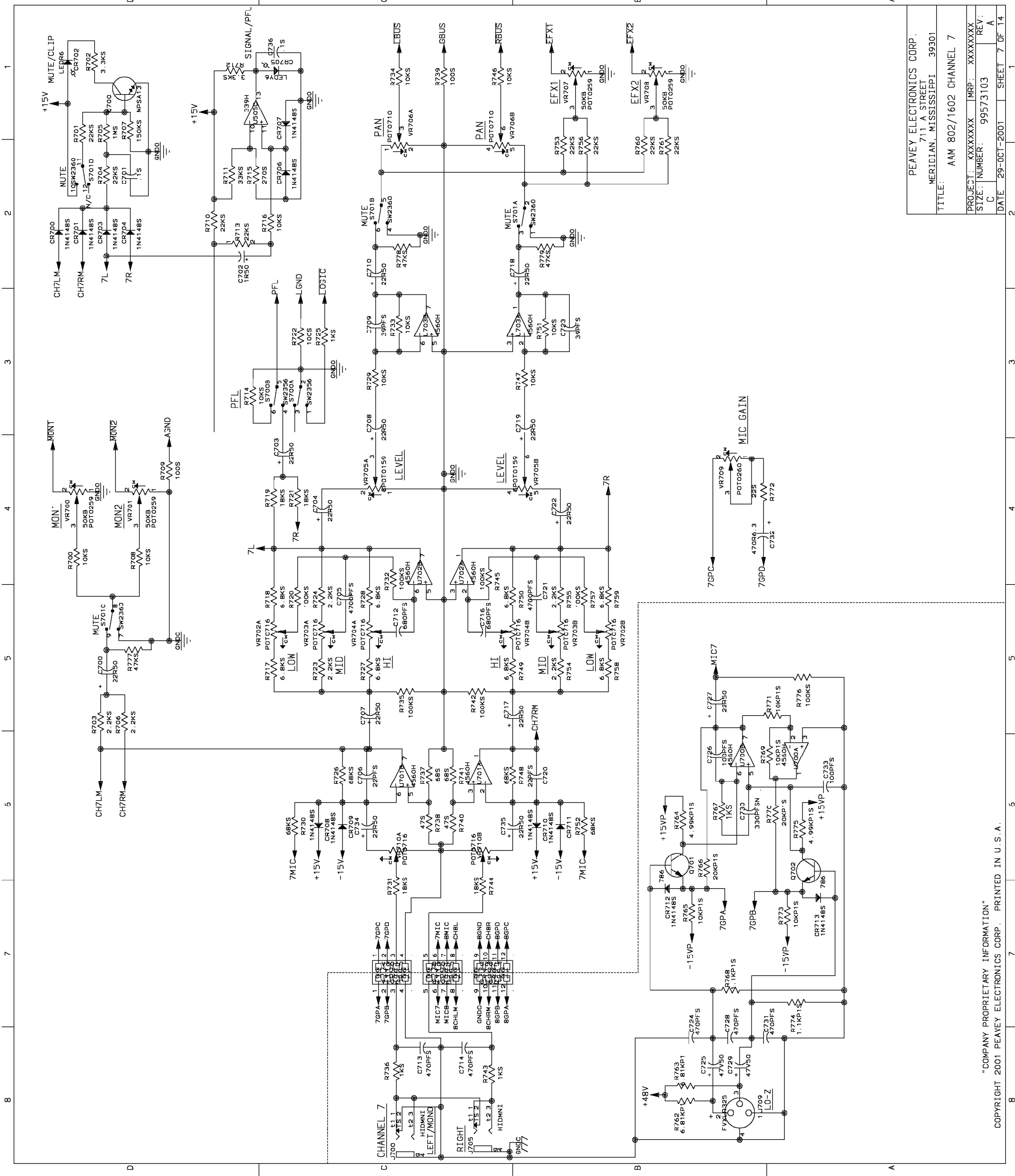


PEAVEY ELECTRONICS CORP.
 711 A STREET
 MERIDIAN, MISSISSIPPI 39301
 TITLE: AAM 802/1602 CHANNEL 5

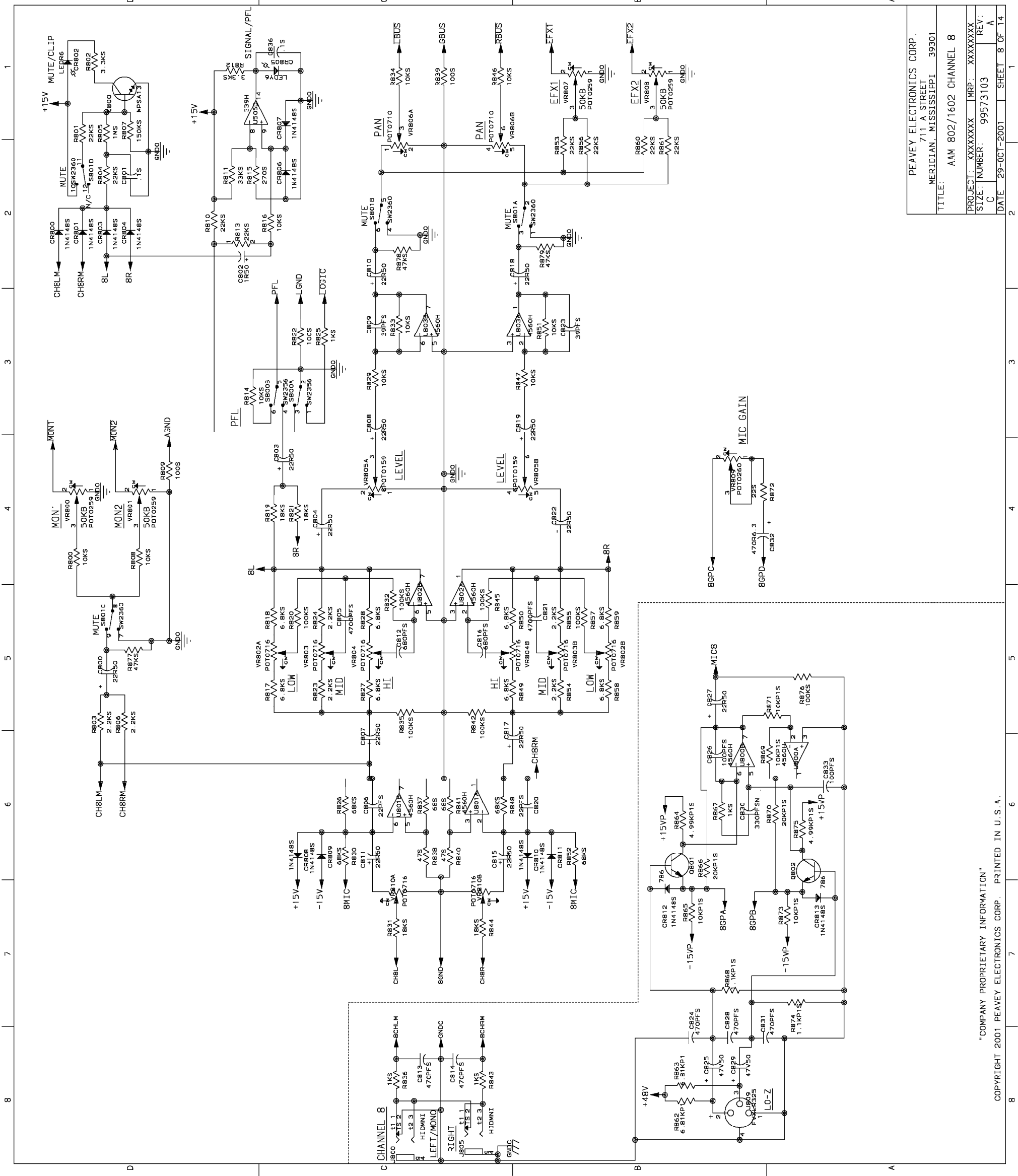
PROJECT: XXXXXXXX IMPR: XXXXXXXX
 SIZE: NUMBER: 99573103 REV: A
 DATE: 29-OCT-2001 SHEET: 5 OF 14



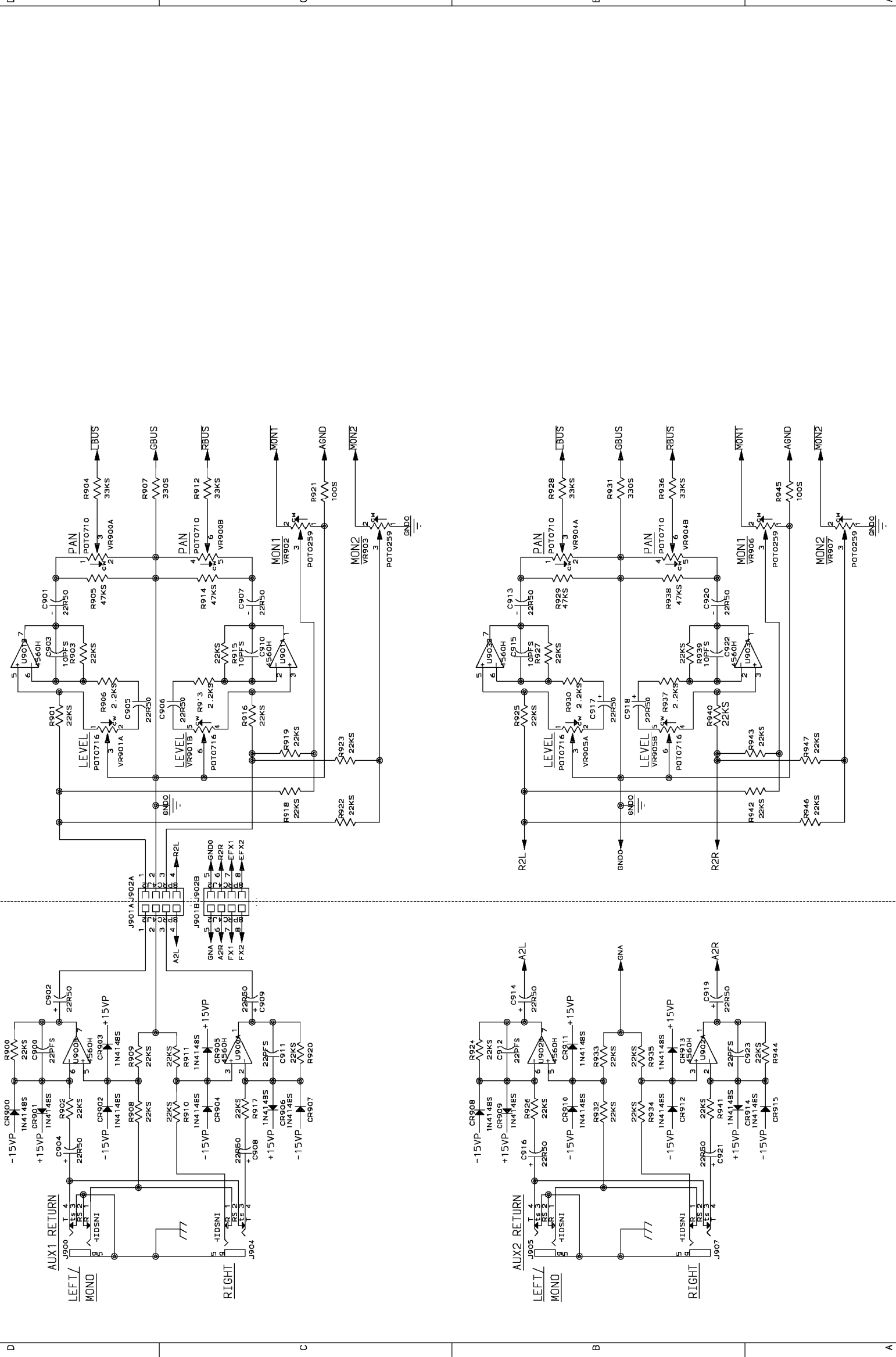
PEAVEY ELECTRONICS CORP.
 711 A STREET
 MERIDIAN, MISSISSIPPI 39301
 TITLE: AAM 802/1602 CHANNEL 6
 PROJECT: XXXXXXXX IMRP: XXXXXXXX
 SIZE: NUMBER: 99573103 REV: A
 DATE: 29-OCT-2001 SHEET: 6 OF 14



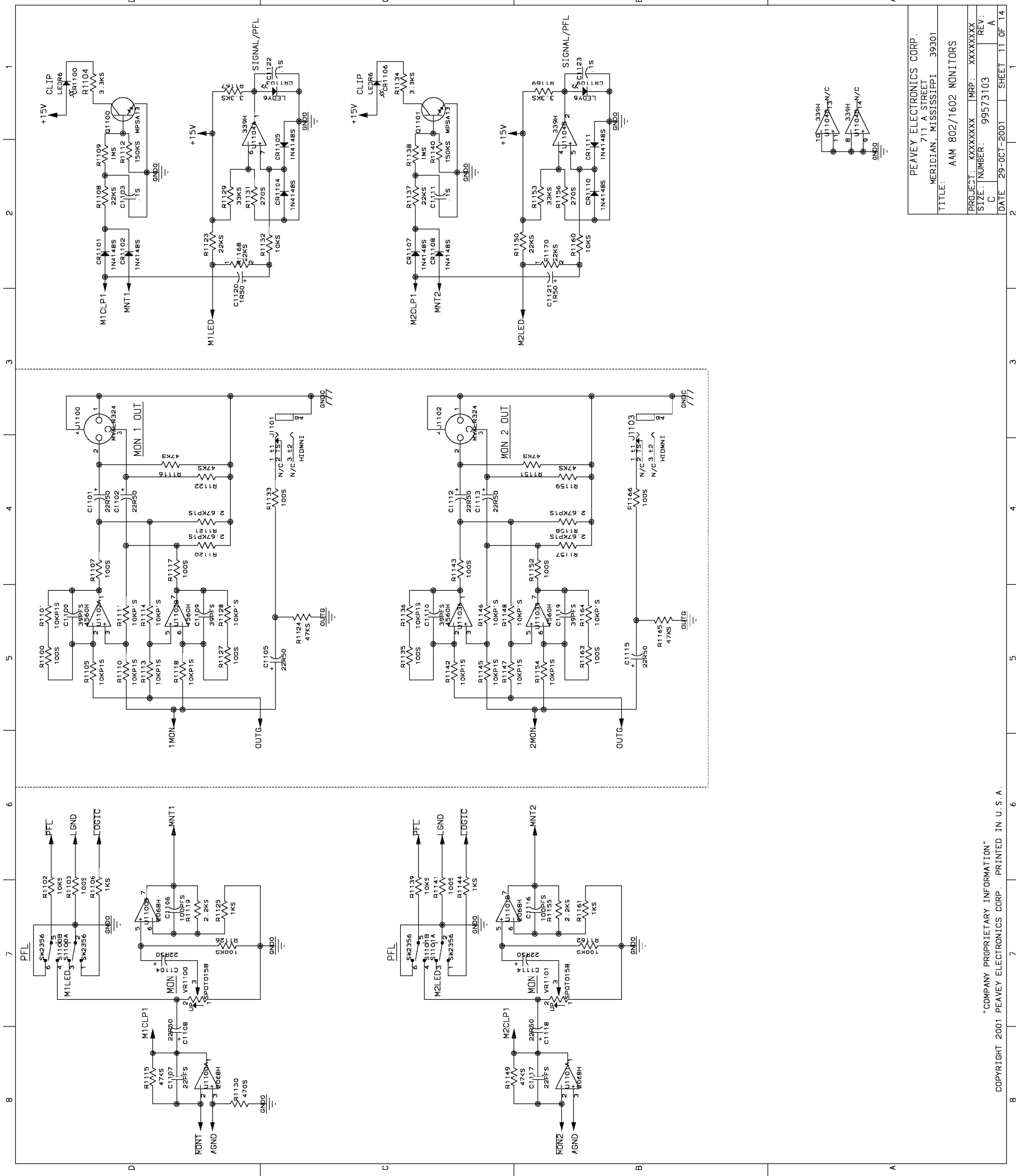
PEAVEY ELECTRONICS CORP.			
711 A STREET			
MERIDIAN, MISSISSIPPI 39301			
TITLE: AAM 802/1602 CHANNEL 7			
PROJECT:	XXXXXXXX	IMRP:	XXXXXXXX
SIZE:	NUMBER: 99573103	REV:	A
DATE:	29-OCT-2001	SHEET:	7 OF 14



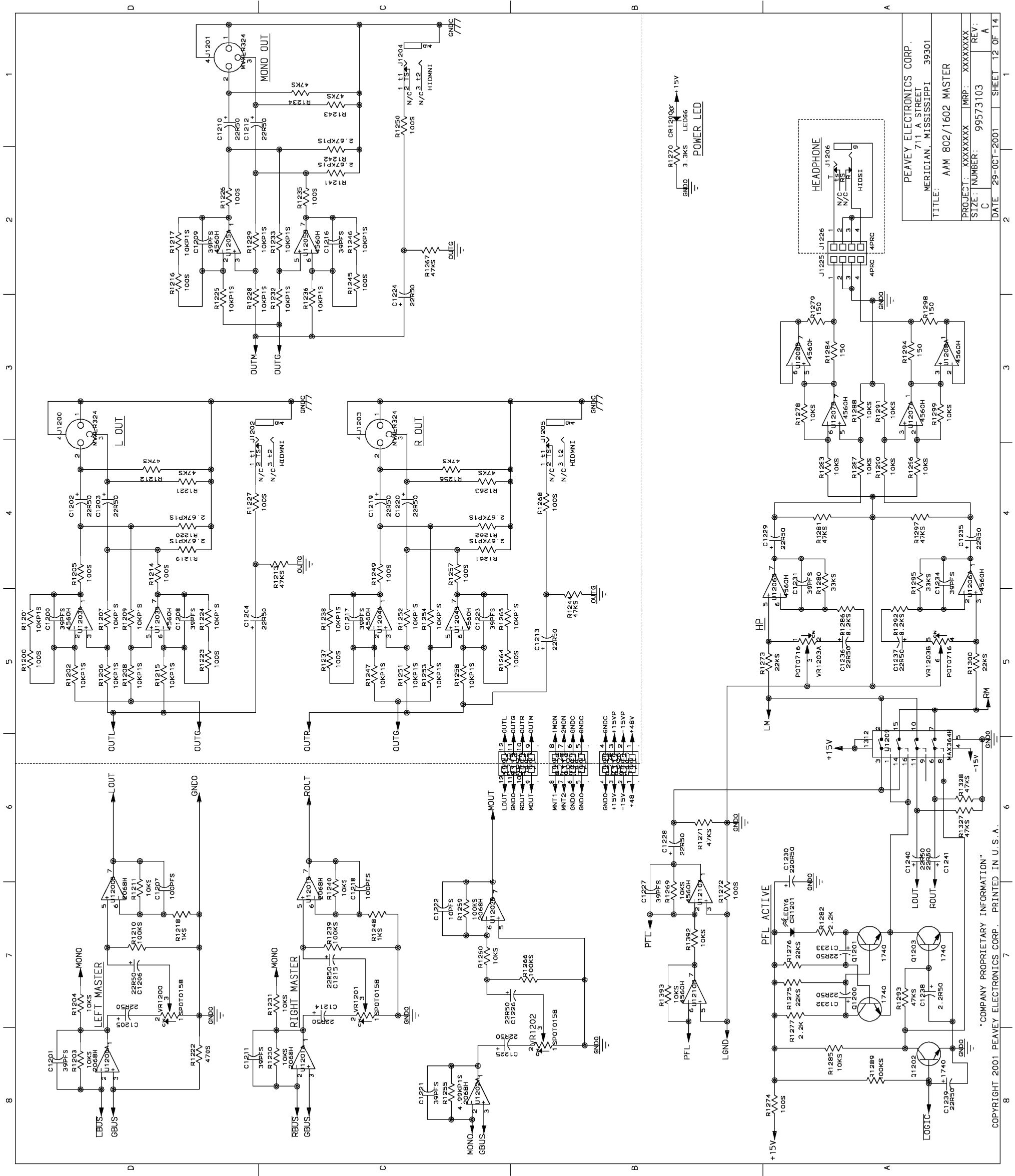
PEAVEY ELECTRONICS CORP.	
711 A STREET	
MERIDIAN, MISSISSIPPI 39301	
TITLE:	AAM 802/1602 CHANNEL 8
PROJECT:	XXXXXXXXX IMPR: XXXXXXXXX
SIZE:	NUMBER: 99573103 REV: A
DATE:	29-OCT-2001 SHEET 8 OF 14



PEAVEY ELECTRONICS CORP.	
711 A STREET	
MERIDIAN, MISSISSIPPI 39301	
TITLE:	AAM 802/1602 STEREO RETURNS
PROJECT:	XXXXXXXXX IMRP: XXXXXXXXX
SIZE:	NUMBER: 99573103 REV: A
C	
DATE:	29-OCT-2001 SHEET 9 OF 14

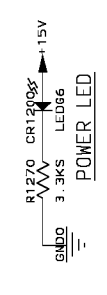


PEAVEY ELECTRONICS CORP. 711 A STREET MERIDIAN, MISSISSIPPI 39301	
TITLE: AAM 802/1602 MONITORS	
PROJECT: XXXXXXXX	IMRP: XXXXXXXX
SIZE: NUMBER: 99573103	REV: A
DATE: 29-OCT-2001	SHEET: 11 OF 14



PEAVEY ELECTRONICS CORP.
 711 A STREET
 MERIDIAN, MISSISSIPPI 39301
 TITLE: AAM 802/1602 MASTER
 PROJECT: XXXXXXXX IMRP: XXXXXXXX
 SIZE: NUMBER: 99573103 REV: A
 DATE: 29-OCT-2001 SHEET: 12 OF 14

COMPANY PROPRIETARY INFORMATION
 PRINTED IN U.S.A.

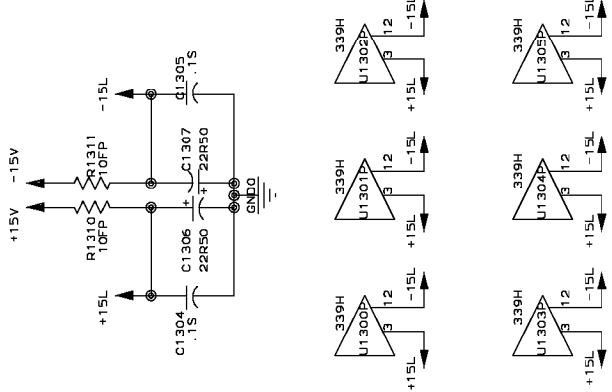
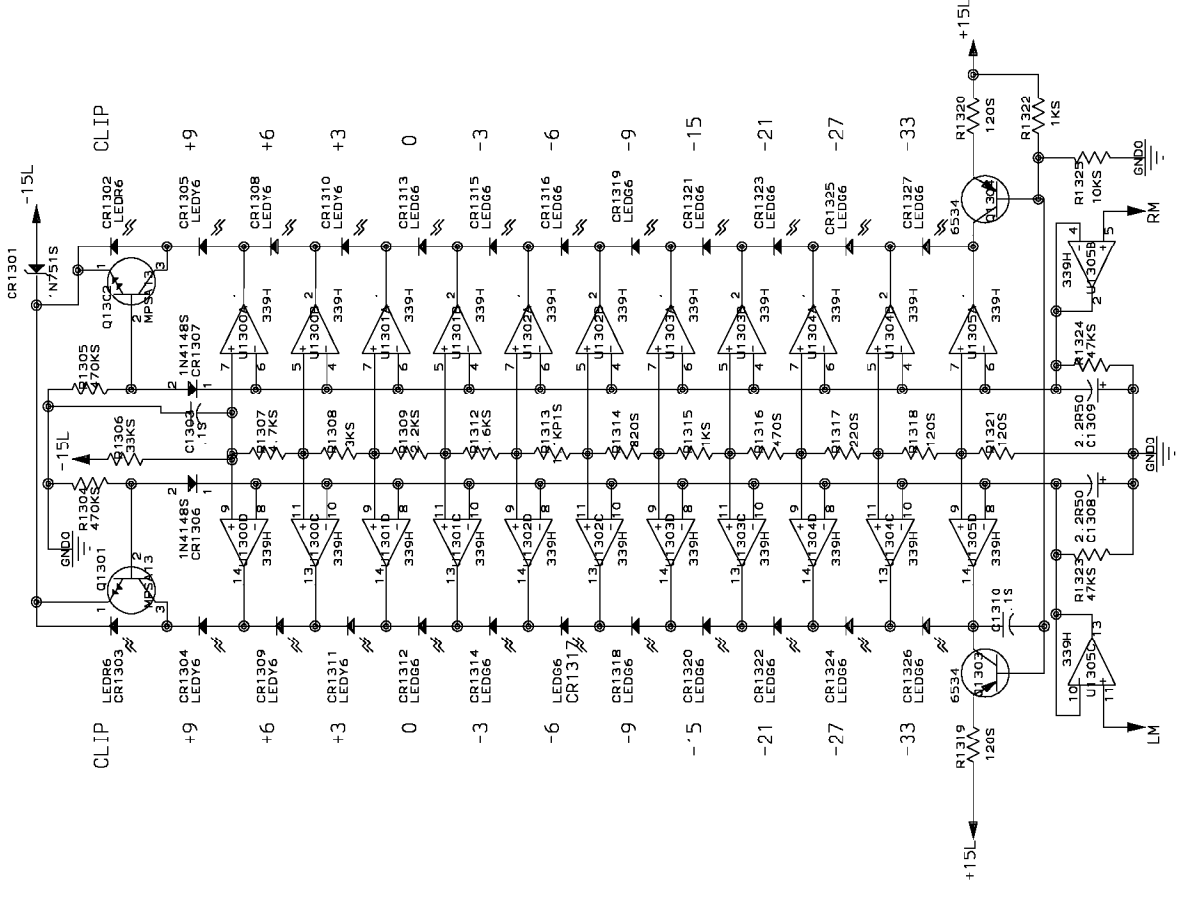
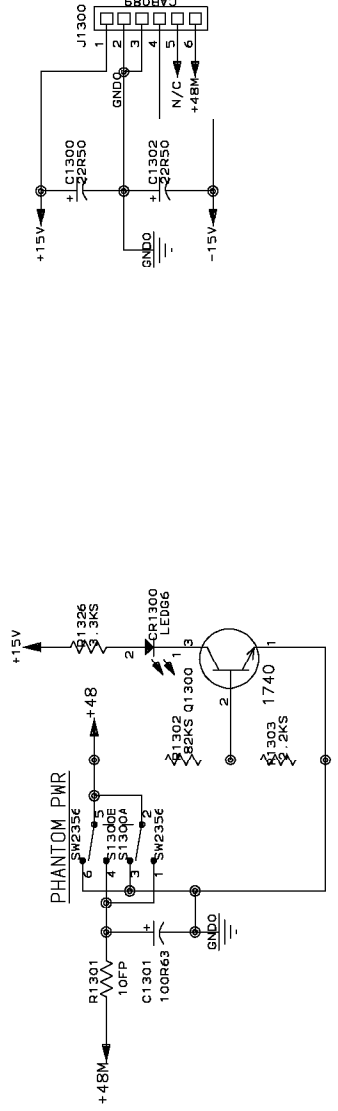


D

C

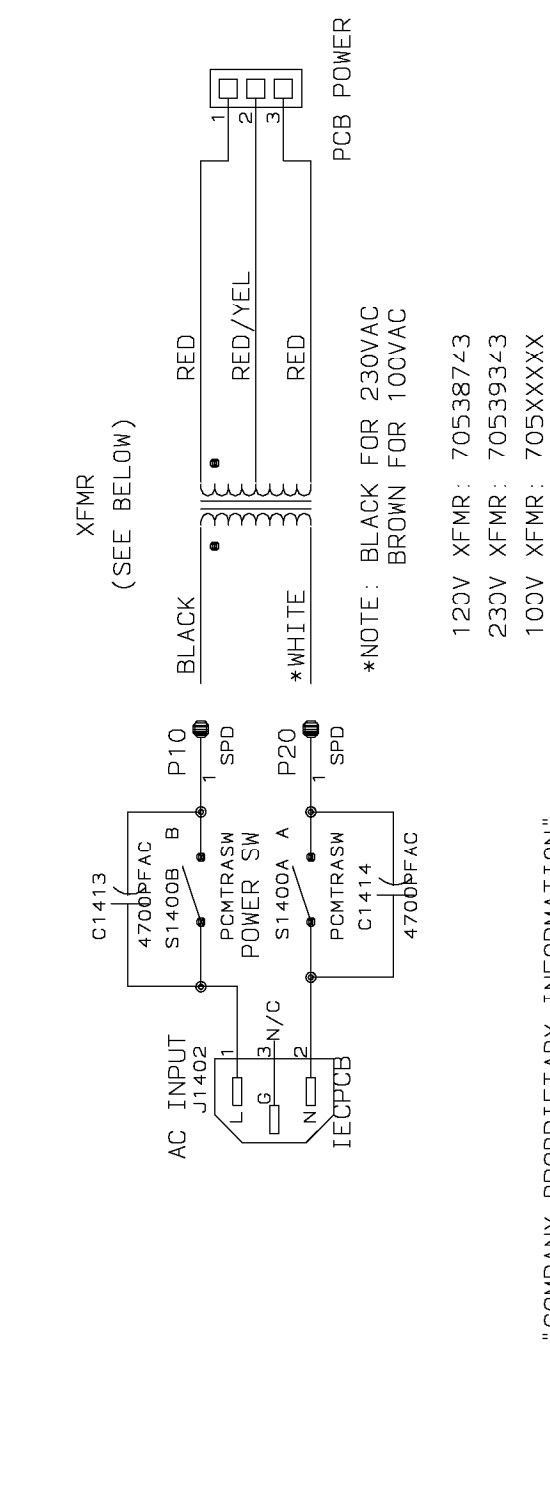
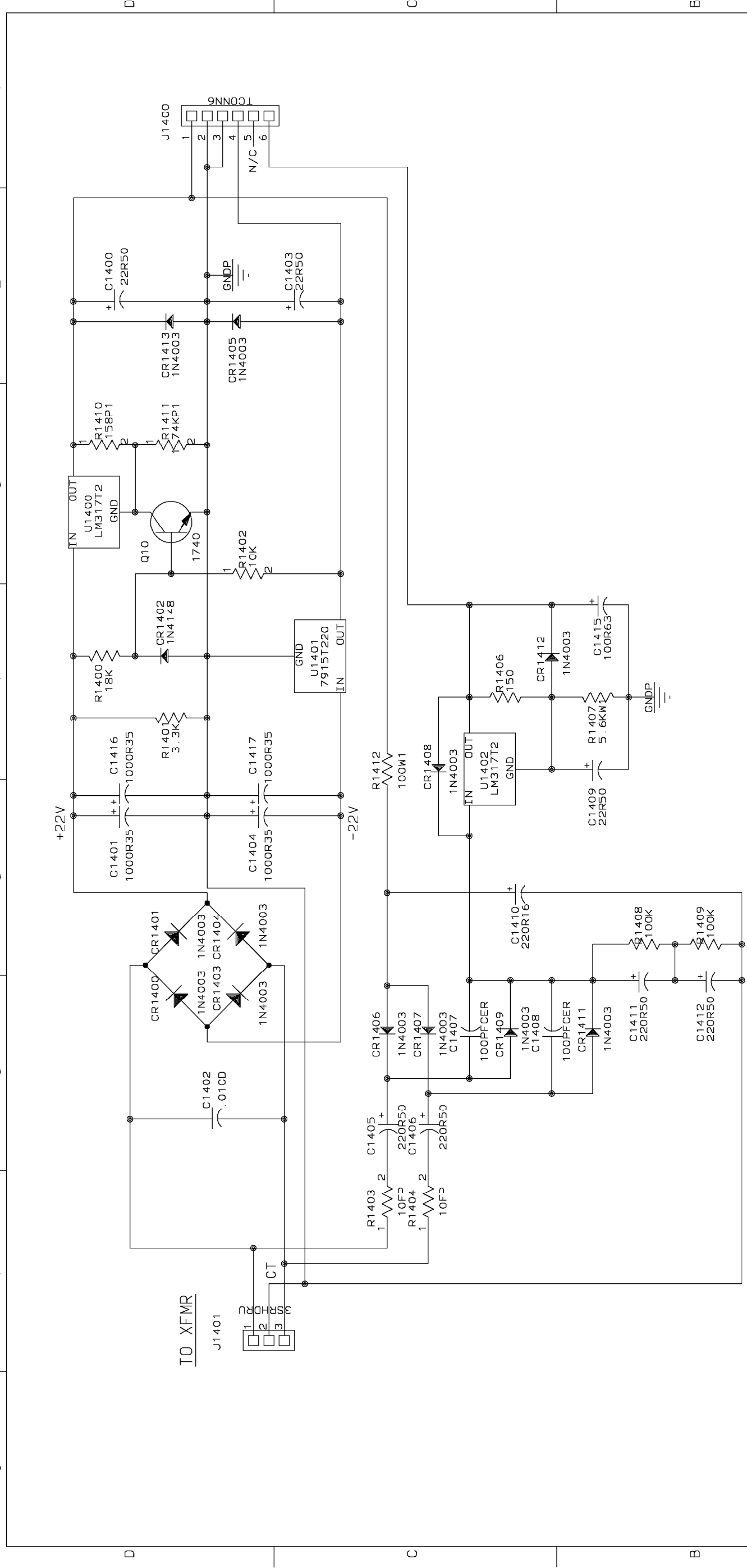
B

A



PEAVEY ELECTRONICS CORP.	
711 A STREET	
MERIDIAN, MISSISSIPPI 39301	
TITLE: AAM 802/1602 -ED 'S	
PROJECT: XXXXXXXX	IMRP: XXXXXXXX
SIZE: NUMBER: 99573103	REV: A
DATE: 29-OCT-2001	SHEET: 13 OF 14

8 7 6 5 4 3 2 1

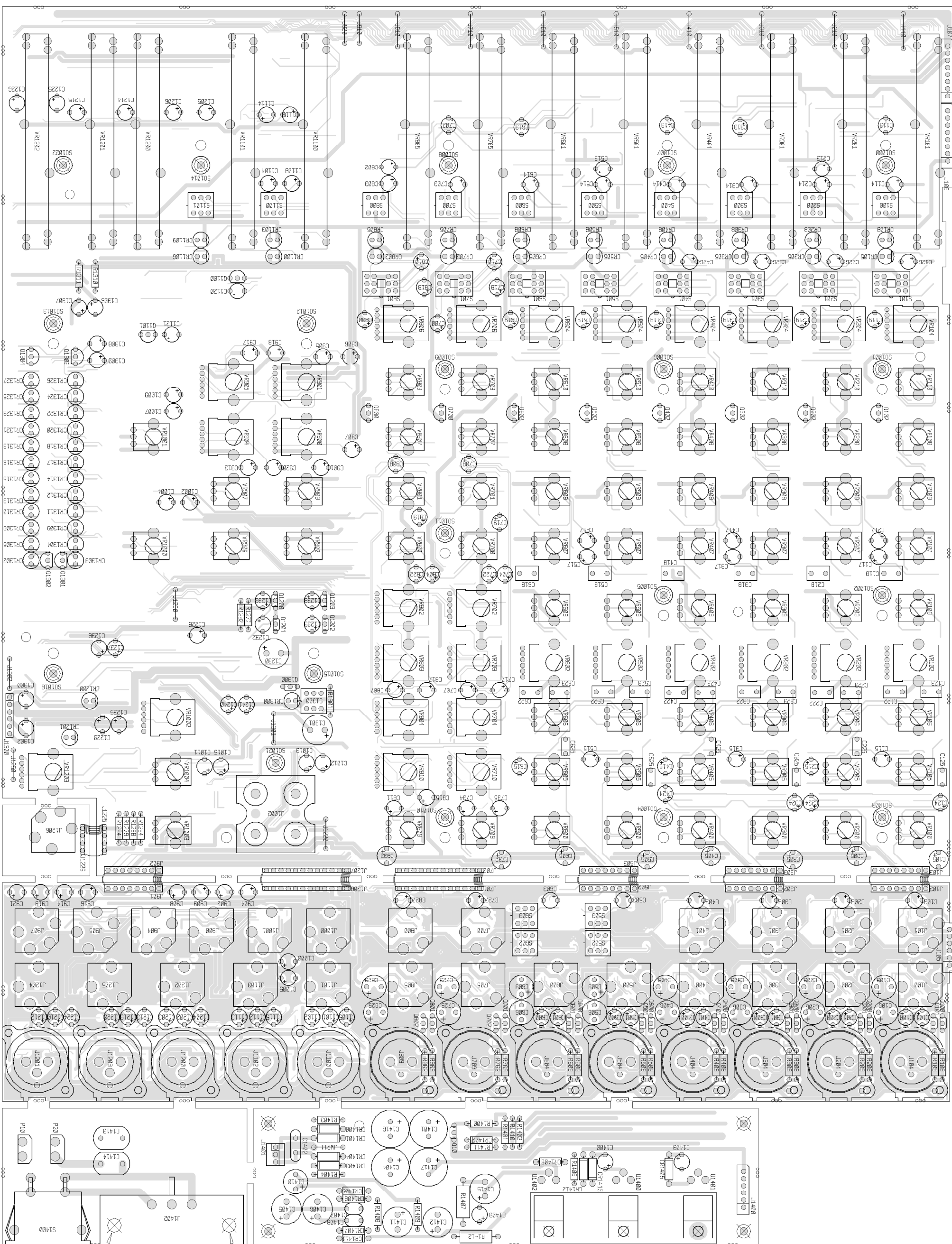


PEAVEY ELECTRONICS CORP. 711 A STREET MERIDIAN, MISSISSIPPI 39301	
TITLE: AAM 802/1602 POWER SUPPLY	
PROJECT: P9600026	MRP: 99572620
SIZE: NUMBER: B	99573103
DATE 29-OCT-2001	SHEET 14 OF 14

*NOTE: BLACK FOR 230VAC
BROWN FOR 100VAC

120V XFMR: 70538743
230V XFMR: 70539343
100V XFMR: 705XXXXX

R02310
primary side



BILL OF MATERIALS REPORT

BOARD NAME: RQ2310 REPORT DATE: 1MAY01
 PROJECT NUMBER: P9800124

CBDS

PART PART DESCRIPTION AND

** QTY. NAME VALUE NUMBER DEVICE DESIGNATIONS *****

6	.0018M	.0018M	70330127	.0018M 5% 50vdc my T&A C125, C225, C325, C425, C525, C625
1	.01CD	.01CD	70320248	.01MF---20%---1000VDC---CD--T&A C1402
6	.01M	.01M	70330155	.01MF-5%-50VDC-MY-T&A C122, C222, C322, C422, C522, C622
6	.027M	.027M	70330125	.027M 5% 50vdc my T&A C123, C223, C323, C423, C523, C623
6	.047M	.047M	70330136	.047M 5% 50vdc my T&A C118, C218, C318, C418, C518, C618
119	.1S	.1	70300035	.1MF Z5U 50V 20% SMT 1206 C112, C128, C212, C228, C312, C328, C412, C428, C512, C528, C612, C628, C701, C736, C801, C836, C1103, C1111, C1122, C1123, C1303, C1304, C1305, C1310, C1500, C1501, C1502, C1503, C1504, C1505, C1506, C1507, C1508, C1509, C1510, C1511, C1512, C1513, C1514, C1515, C1516, C1517, C1518, C1519, C1520, C1521, C1522, C1523, C1524, C1525, C1526, C1527, C1528, C1529, C1530, C1531, C1532, C1533, C1534, C1535, C1536, C1537, C1538, C1539, C1540, C1541, C1542, C1543, C1544, C1545, C1546, C1547, C1548, C1549, C1550, C1551, C1552, C1553, C1554, C1555, C1556, C1557, C1558, C1559, C1560, C1561, C1562, C1563, C1564, C1565, C1566, C1567, C1568, C1569, C1570, C1571, C1572, C1573, C1574, C1575, C1576, C1577, C1578, C1579, C1580, C1581, C1582, C1583, C1584, C1585, C1586, C1587, C1588, C1589, C1590, C1591, C1592, C1593, C1594
17	1.1KP1S	1.1K	70200069	1.1K--1/8W--1%---SMT 1206 R117, R118, R217, R218, R317, R318, R417, R418, R517, R518, R617, R618, R768, R774, R868, R874, R1313
12	1.5KS	1.5K	70200020	1.5K--1/8W--5%---smt R141, R143, R241, R243, R341, R343, R441, R443, R541, R543, R641, R643
1	1.6KS	1.6K	70200082	1.6K---1/8W--5%---SMT 1206 R1312
1	1.74KP1	1.74KP1	70240091	1.74K 1% 1/4W MF T&R R1411
4	1000R35	1000R35	70320186	1000MF---20%----35VDC--EL--T&A C1401, C1404, C1416, C1417

2 100K 100K 70240034 100K--1/4W--5%----CF--T&R
 R1408, R1409
 31 100KS 100K 70200034 100K---1/8W--5%----SM
 R110, R111, R210, R211, R310, R311,
 R410, R411, R511, R611, R720, R732,
 R735, R742, R745, R757, R776, R820,
 R832, R835, R842, R845, R857, R876,
 R1126, R1162, R1210, R1239, R1259,
 R1266, R1289
 2 100PFCER 100PFCER 70320063 100PF 1000VDC ZSF 20%CD
 C1407, C1408
 10 100PFS 100PF 70300044 100PF COG 50V 5% SMT 1206
 C726, C733, C826, C833, C1003, C1008,
 C1106, C1116, C1207, C1218
 2 100R63 100R63 70320264 100MF----20%----63VDC---EL--T&A
 C1301, C1415
 72 100S 100 70200013 100---1/8w--5%----smt
 R103, R133, R151, R152, R153, R159,
 R203, R233, R251, R252, R253, R259,
 R303, R333, R351, R352, R353, R359,
 R403, R433, R451, R452, R453, R459,
 R533, R551, R559, R633, R651, R659,
 R709, R722, R739, R809, R822, R839,
 R921, R945, R1002, R1008, R1016, R1019,
 R1034, R1100, R1103, R1107, R1117,
 R1127, R1133, R1135, R1141, R1143,
 R1152, R1163, R1166, R1200, R1205,
 R1214, R1216, R1223, R1226, R1227,
 R1235, R1237, R1245, R1249, R1250,
 R1257, R1264, R1268, R1272, R1274
 1 100W1 100W1 70210003 100---1W----5%----MO--T&R
 R1412
 5 10FP 10FP 70240095 10FP--1/4W--5%----FP--T&R
 R1301, R1310, R1311, R1403, R1404
 1 10K 10K 70240025 10K---1/4W--5%----CF--T&R
 R1402
 72 10KP1S 10kp1 70200051 10k---1/8W--1%---SMT
 R101, R112, R114, R115, R201, R212,
 R214, R215, R301, R312, R314, R315,
 R401, R412, R414, R415, R501, R512,
 R514, R515, R601, R612, R614, R615,
 R765, R769, R771, R773, R865, R869,
 R871, R873, R1101, R1105, R1110, R1111,
 R1113, R1114, R1118, R1128, R1136,
 R1142, R1145, R1146, R1147, R1148,
 R1154, R1164, R1201, R1202, R1206,
 R1207, R1208, R1209, R1215, R1217,
 R1224, R1225, R1228, R1229, R1232,
 R1233, R1236, R1238, R1246, R1247,
 R1251, R1252, R1253, R1254, R1258, R1265
 116 10KS 10K 70200028 10K--1/8W--5%---SMT
 R128, R130, R131, R132, R137, R145,
 R146, R149, R154, R155, R157, R158,
 R228, R230, R231, R232, R237, R245,
 R246, R249, R254, R255, R257, R258,
 R328, R330, R331, R332, R337, R345,

R346, R349, R354, R355, R357, R358,
R428, R430, R431, R432, R437, R445,
R446, R449, R454, R455, R457, R458,
R528, R530, R531, R532, R537, R546,
R554, R555, R557, R558, R628, R630,
R631, R632, R637, R646, R654, R655,
R657, R658, R700, R708, R714, R716,
R729, R733, R734, R746, R747, R751,
R800, R808, R814, R816, R829, R833,
R834, R846, R847, R851, R1013, R1014,
R1023, R1025, R1102, R1132, R1139,
R1160, R1203, R1204, R1211, R1230,
R1231, R1240, R1260, R1269, R1278,
R1283, R1285, R1287, R1288, R1290,
R1291, R1296, R1299, R1325, R1392, R1393
13 10PFS 10PF 70300010 10PF COG 50V 5% SMT 1206
C121, C221, C321, C421, C521, C621,
C903, C910, C915, C922, C1001, C1006,
C1222
4 120S 120 70200048 120---1/8w--5%---SMT 1206
R1318, R1319, R1320, R1321
4 12PRC4J2 12PRC4J2 70600053 12C PRE-TIN .100 CTR 4" JUMPER (SPLIT VERSION)
J701, J702, J1207, J1208
5 150 150 70240001 150---1/4W--5%----CF--T&R
R1279, R1284, R1294, R1298, R1406
12 150KS 150K 70200109 150K-1/8W--5%----SM
R123, R223, R323, R423, R523, R623,
R707, R807, R1000, R1006, R1112, R1140
1 158P1 158P1 70240077 158 OHM 1% 1/4W MF T&R
R1410
1 15MMSOB 70901889 70901889 SPACER, 15MM, .187 BRASS
SO1021
18 15MSOW 70901837 70901837 SPACER, 15mm-r(#4) .187 swage alum.
SO1000, SO1001, SO1002, SO1003, SO1004,
SO1005, SO1006, SO1007, SO1008, SO1009,
SO1010, SO1011, SO1012, SO1013, SO1014,
SO1015, SO1016, SO1022
6 1740 1740 70401740 2SC1740SLN 40V, .1A, NPN, LOW NOISE T&A
Q10, Q1200, Q1201, Q1202, Q1203, Q1300
1 18K 18K 70240028 18K---1/4W--5%----CF--T&R
R1400
8 18KS 18K 70200030 18K--1/8W--5%---SMT
R719, R721, R731, R744, R819, R821,
R831, R844
4 1KP1S 1kp1 70200047 1k----1/8W--1%---SMT
R561, R562, R661, R662
28 1KS 1K 70200019 1k---1/8w--5%---smt
R106, R134, R206, R234, R306, R334,
R406, R434, R506, R534, R606, R634,
R725, R736, R743, R767, R825, R836,
R843, R867, R1106, R1125, R1144, R1161,
R1218, R1248, R1315, R1322
22 1MS 1M 70200036 1M---1/8W--5%---SMT
R122, R136, R142, R222, R236, R242,
R322, R336, R342, R422, R436, R442,
R522, R536, R542, R622, R636, R642,

R705, R805, R1109, R1138

12 1N4003 1N4003 70464003 1N4003 200V SILICON DIODE
CR1400, CR1401, CR1403, CR1404, CR1405,
CR1406, CR1407, CR1408, CR1409, CR1411,
CR1412, CR1413

1 1N4148 4148 70464148 1N4148 75V 10MA SILICON DIODE
CR1402

110 1N4148S 4148 70418026 1N4148 (LL34) DIODE SMT
CR100, CR101, CR102, CR103, CR104,
CR106, CR109, CR110, CR111, CR112,
CR200, CR201, CR202, CR203, CR204,
CR206, CR209, CR210, CR211, CR212,
CR300, CR301, CR302, CR303, CR304,
CR306, CR309, CR310, CR311, CR312,
CR400, CR401, CR402, CR403, CR404,
CR406, CR409, CR410, CR411, CR412,
CR500, CR501, CR502, CR503, CR504,
CR506, CR509, CR510, CR600, CR601,
CR602, CR603, CR604, CR606, CR609,
CR610, CR700, CR701, CR703, CR704,
CR706, CR707, CR708, CR709, CR710,
CR711, CR712, CR713, CR800, CR801,
CR803, CR804, CR806, CR807, CR808,
CR809, CR810, CR811, CR812, CR813,
CR900, CR901, CR902, CR903, CR904,
CR905, CR906, CR907, CR908, CR909,
CR910, CR911, CR912, CR913, CR914,
CR915, CR1000, CR1001, CR1002, CR1003,
CR1101, CR1102, CR1104, CR1105, CR1107,
CR1108, CR1110, CR1111, CR1306, CR1307

1 1N751S 1N751 70418027 5.1V, 5%, 500MW, ZENER, SMT (LL34)
CR1301

10 1R50 1R50 70320261 1MF 20% 50 VDC EL T&A
C113, C213, C313, C413, C513, C613,
C702, C802, C1120, C1121

2 2.2K 2.2K 70240020 2.2K--1/4W--5%---CF--T&R
R1277, R1282

22 2.2KS 2.2K 70200021 2.2K---1/8W--5%---smt
R703, R706, R723, R724, R754, R755,
R803, R806, R823, R824, R854, R855,
R906, R913, R930, R937, R1018, R1028,
R1119, R1155, R1303, R1309

3 2.2R50 2.2R50 70320180 2.2MF-----20%----50VDC---EL--T&A
C1238, C1308, C1309

10 2.67KP1S 2.67K 70200068 2.67K--1/8W--1%---SMT 1206
R1120, R1121, R1157, R1158, R1219,
R1220, R1241, R1242, R1261, R1262

5 2068H 2068 70418150 NJM2068 LOW NOISE DUAL OP AMP-SMT
U1100, U1101, U1200, U1201, U1202

16 20KP1S 20kp1 70200059 20k---1/8W--1%---SMT
R102, R113, R202, R213, R302, R313,
R402, R413, R502, R513, R602, R613,
R766, R770, R866, R870

1 220R16 220R16 70320293 220UF/16V, RAD, T&A
C1410

5 220R50 220R50 70320187 220MF-----20%----50VDC---EL--T&A

			C1230, C1405, C1406, C1411, C1412
1	220S	220	70200016 220---1/8w--5%---smt R1317
84	22KS	22K	70200031 22K--1/8W--5%---SMT R119, R121, R124, R127, R219, R221, R224, R227, R319, R321, R324, R327, R419, R421, R424, R427, R519, R521, R524, R527, R619, R621, R624, R627, R701, R704, R710, R713, R753, R756, R760, R761, R801, R804, R810, R813, R853, R856, R860, R861, R900, R901, R902, R903, R908, R909, R910, R911, R915, R916, R917, R918, R919, R920, R922, R923, R924, R925, R926, R927, R932, R933, R934, R935, R939, R940, R941, R942, R943, R944, R946, R947, R1003, R1009, R1108, R1123, R1137, R1150, R1168, R1170, R1273, R1275, R1276, R1300
12	22PFS	22PF	70300011 22PF COG 50V 5% SMT 1206 C706, C720, C806, C820, C900, C911, C912, C923, C1010, C1014, C1107, C1117
144	22R50	22R50	70320181 22MF-----20%----50VDC---EL--T&A C100, C101, C103, C114, C115, C117, C119, C124, C126, C200, C201, C203, C214, C215, C217, C219, C224, C226, C300, C301, C303, C314, C315, C317, C319, C324, C326, C400, C401, C403, C414, C415, C417, C419, C424, C426, C500, C501, C503, C514, C515, C517, C519, C600, C601, C603, C614, C615, C617, C619, C700, C703, C704, C707, C708, C710, C717, C718, C719, C722, C727, C734, C735, C800, C803, C804, C807, C808, C810, C811, C815, C817, C818, C819, C822, C827, C901, C902, C904, C905, C906, C907, C908, C909, C913, C914, C916, C917, C918, C919, C920, C921, C1000, C1002, C1004, C1005, C1007, C1009, C1011, C1012, C1013, C1015, C1101, C1102, C1104, C1105, C1108, C1112, C1113, C1114, C1115, C1118, C1202, C1203, C1204, C1205, C1206, C1210, C1212, C1213, C1214, C1215, C1219, C1220, C1224, C1225, C1226, C1228, C1229, C1232, C1233, C1235, C1236, C1237, C1239, C1240, C1241, C1300, C1302, C1306, C1307, C1400, C1403, C1409
11	22S	22	70200052 22----1/8W--5%---SMT R107, R207, R307, R407, R507, R565, R607, R665, R772, R872, R1024
4	250STW	70901856	70901856 SPCR, 1/4,R(#4),187 SW,AL SO1017, SO1018, SO1019, SO1020
12	270S	270	70200017 270---1/8w--5%---smt R129, R229, R329, R429, R529, R560,

			R629, R660, R715, R815, R1131, R1156
1	3.3K	3.3K	70240022 3.3K--1/4W--5%----CF--T&R R1401
22	3.3KS	3.3K	70200023 3.3K--1/8W--5%---smt R120, R126, R220, R226, R320, R326, R420, R426, R520, R526, R620, R626, R702, R712, R802, R812, R1104, R1134, R1167, R1169, R1270, R1326
8	330PFSN	330PF	70300056 330PF NPO 100V 5% SMT 1206 C104, C204, C304, C404, C504, C604, C730, C830
3	330S	330	70200071 330--1/8W--5%----SM R907, R931, R1020
9	339H	339H	70418110 LM339D QUAD COMP IC - SMT SO14 U105, U505, U1104, U1300, U1301, U1302, U1303, U1304, U1305
27	33KS	33K	70200063 33K--1/8W--5%----SM R125, R225, R325, R425, R525, R625, R711, R811, R904, R912, R928, R936, R1001, R1007, R1012, R1026, R1027, R1029, R1032, R1033, R1129, R1153, R1280, R1295, R1306, R1390, R1391
30	39PFS	39PF	70300012 39PF COG 50V 5% SMT 1206 C120, C127, C220, C227, C320, C327, C420, C427, C527, C627, C709, C723, C809, C823, C1100, C1109, C1110, C1119, C1200, C1201, C1208, C1209, C1211, C1216, C1217, C1221, C1223, C1227, C1231, C1234
1	3KS	3K	70200081 3K---1/8W--5%---SMT 1206 R1308
1	3SRHDRU	73717013	73717013 3 PIN S/R HDR .100 W/LOCK -UP J1401
1	4.7KS	4.7K	70200025 4.7K--1/8W--5%---smt R1307
17	4.99KP1S	4.99kp1	70200049 4.99k--1/8W--1%---SMT R100, R116, R200, R216, R300, R316, R400, R416, R500, R516, R600, R616, R764, R775, R864, R875, R1255
41	4560H	4560	70418053 4560 DL OP AMP SOIC-8 U100, U101, U102, U103, U200, U202, U300, U301, U302, U303, U400, U402, U500, U502, U503, U600, U602, U700, U701, U702, U703, U800, U801, U802, U803, U900, U901, U902, U903, U1000, U1001, U1002, U1102, U1103, U1203, U1204, U1205, U1206, U1207, U1208, U1210
2	4700PFAC	4700PFAC	70320114 4700PF 400VAC EXP LINE CAP X C1413, C1414
4	4700PFS	4700PF	70300045 4700PF X7R 50V 5% SMT 1206 C705, C721, C805, C821
2	470KS	470K	70200035 470K--1/8W--5%---SMT R1304, R1305
30	470PFS	470PF	70300047 470PF COG 50V 5% SMT 1206 C107, C108, C110, C207, C208, C210, C307, C308, C310, C407, C408, C410,

C507, C508, C510, C607, C608, C610,
 C713, C714, C724, C728, C731, C813,
 C814, C824, C828, C831, C1016, C1017
 8 470R6.3 470R6.3 70320183 470MF-----20%----6.3VDC--EL--T&A
 C105, C205, C305, C405, C505, C605,
 C732, C832
 3 470S 470 70200046 470--1/8W--5%---SMT
 R1130, R1222, R1316
 59 47KS 47K 70200032 47K---1/8W--5%---SMT
 R140, R147, R156, R240, R247, R256,
 R340, R347, R356, R440, R447, R456,
 R540, R547, R556, R640, R647, R656,
 R777, R778, R779, R877, R878, R879,
 R905, R914, R929, R938, R1004, R1010,
 R1015, R1017, R1021, R1022, R1115,
 R1116, R1122, R1124, R1149, R1151,
 R1159, R1165, R1212, R1213, R1221,
 R1234, R1243, R1244, R1256, R1263,
 R1267, R1271, R1281, R1293, R1297,
 R1323, R1324, R1327, R1328
 12 47PFS 47PF 70300050 47PF COG 50V 5% SMT
 C102, C111, C202, C211, C302, C311,
 C402, C411, C502, C511, C602, C611
 4 47S 47 70200012 47----1/8w--5%---smt
 R738, R740, R838, R840
 16 47V50 47V50 70320182 47MF-----20%----50VDC---LL--T&A
 C106, C109, C206, C209, C306, C309,
 C406, C409, C506, C509, C606, C609,
 C725, C729, C825, C829
 2 4PRC 4PRC 70600035 4C PRE-TIN .100 4" JMPR
 J1225, J1226
 1 4RCA15 4RCA15 71466392 QUAD 15MM RCA JACK, CIRCUIT BOARD
 J1002
 1 5.6KW1 5.6KW1 70210021 5.6K-1W-10%-MO-T&R
 R1407
 16 6.81KP1 6.81KP1 70241043 6.81K-1/4W---1%---MF--T&R
 R108, R109, R208, R209, R308, R309,
 R408, R409, R508, R509, R608, R609,
 R762, R763, R862, R863
 22 6.8KS 6.8K 70200026 6.8K--1/8W--5%---SMT
 R150, R250, R350, R450, R550, R650,
 R717, R718, R727, R728, R749, R750,
 R758, R759, R817, R818, R827, R828,
 R849, R850, R858, R859
 2 6534 6534 70466533 MPS-6533/34 TO-92 PNP TRANS T&A
 Q1303, Q1304
 4 680PFS 680PF 70300016 680PF---COG-50V---5%---SMT--1206 PACK
 C712, C716, C812, C816
 8 68KS 68K 70200033 68K--1/8W--5%---SMT
 R726, R730, R748, R752, R826, R830,
 R848, R852
 4 68S 68 70200053 68---1/8W--5%---SMT
 R737, R741, R837, R841
 16 786 786 70460786 2SD-786S NPN TRANS T&A
 Q100, Q101, Q200, Q201, Q300, Q301,
 Q400, Q401, Q500, Q501, Q600, Q601,

Q701, Q702, Q801, Q802
 1 7915T220 7915 70400320 7915 15V 1A NEG TO 220 RG
 U1401
 34 8.2KS 8.2K 70200042 8.2K--1/8W--5%---SMT
 R104, R105, R138, R139, R144, R204,
 R205, R238, R239, R244, R304, R305,
 R338, R339, R344, R404, R405, R438,
 R439, R444, R504, R505, R538, R539,
 R544, R604, R605, R638, R639, R644,
 R1005, R1011, R1286, R1292
 1 820S 820 70200054 820---1/8W--5%---SMT
 R1314
 1 82KS 82K 70200112 82K-1/8W-5%-SMT-1206
 R1302
 8 8PRC4J2 8PRC4J2 70600033 8C PRE-TIN .100 CTR 4" JUMPER (SPLIT VERSION)
 J102, J103, J302, J303, J502, J503,
 J901, J902
 1 CAB089 CAB089 70600089 6 CON. .1" VERT RIBBON CABLE ASSEMBLY 8"
 J1300
 8 FVXLR325 71466325 71466325 Connector, Female XLR
 J104, J204, J304, J404, J504, J604,
 J709, J809
 11 HIDMNI 71466214 71466214 2 TIP HID JACK NINS W/SPD
 J700, J705, J800, J805, J1000, J1001,
 J1101, J1103, J1202, J1204, J1205
 1 HIDSJ 71466216 71466216 STEREO HID JACK INSU W/SPD
 J1206
 14 HIDSNI 71466217 71466217 STEREO HID JACK NINS W/SPD
 J100, J101, J200, J201, J300, J301,
 J400, J401, J500, J600, J900, J904,
 J905, J907
 1 IECPCB 70901257 70901257 IEC POWER INLET R/A PCB MT.
 J1402
 18 LEDG6 LEDG6 70450051 LED, T-1, GRN, W/.500" SPCR - T&A
 CR1200, CR1300, CR1312, CR1313, CR1314,
 CR1315, CR1316, CR1317, CR1318, CR1319,
 CR1320, CR1321, CR1322, CR1323, CR1324,
 CR1325, CR1326, CR1327
 12 LEDR6 LEDR6 70450050 LED, T-1, RED, W/.500" SPCR - T&A
 CR105, CR205, CR305, CR405, CR505,
 CR605, CR702, CR802, CR1100, CR1106,
 CR1302, CR1303
 17 LEDY6 LEDY6 70450052 LED, T-1, YEL, W/.500" SPCR - T&A
 CR108, CR208, CR308, CR408, CR508,
 CR608, CR705, CR805, CR1103, CR1109,
 CR1201, CR1304, CR1305, CR1308, CR1309,
 CR1310, CR1311
 2 LM317T2 LM317T2 70400317 LM317 THREE TERMINAL ADJUSTABLE REGULATOR
 U1400, U1402
 1 MAX364H MAX364H 70418160 MAX364 QUAD ANALOG SW - SMT
 U1209
 12 MPSA13 A13 70460013 MPS-A13 NPN DARLINGTON TRANS T&A
 Q102, Q202, Q302, Q402, Q502, Q602,
 Q700, Q800, Q1100, Q1101, Q1301, Q1302
 5 MVXLR324 71466324 71466324 Connector, Male XLR
 J1100, J1102, J1200, J1201, J1203

1 PCMTRASW PCMTRASW 71322377 PC MOUNT PIGHT ANGLE POWER SWITCH
S1400

6 POT0257 71190257 71190257 10KB - STD - 9MM - W/DTT
VR106, VR206, VR306, VR406, VR506, VR606

52 POT0259 71190259 71190259 50KB - STD - 9MM - W/DTT
VR103, VR105, VR107, VR108, VR109,
VR110, VR203, VR205, VR207, VR208,
VR209, VR210, VR303, VR305, VR307,
VR308, VR309, VR310, VR403, VR405,
VR407, VR408, VR409, VR410, VR503,
VR505, VR507, VR508, VR509, VR510,
VR603, VR605, VR607, VR608, VR609,
VR610, VR700, VR701, VR707, VR708,
VR800, VR801, VR807, VR808, VR902,
VR903, VR906, VR907, VR1000, VR1001,
VR1003, VR1004

8 POT0260 71190260 71190260 10K(5C)-STD-9MM POT
VR100, VR200, VR300, VR400, VR500,
VR600, VR709, VR809

10 POT0710 POT0710 71190710 10KA/10KC DUAL 12MM W/DTT
VR104, VR204, VR304, VR404, VR504,
VR604, VR706, VR806, VR900, VR904

6 POT0712 POT0712 71190712 50KC/50KC DUAL 12MM
VR102, VR202, VR302, VR402, VR502, VR602

12 POT0716 POT0716 71190716 50KBX2 DUAL 12MM ROT POT W/DTT
VR702, VR703, VR704, VR710, VR802,
VR803, VR804, VR810, VR901, VR905,
VR1002, VR1203

2 SPD 73716194 73716194 .250 PC MNT SPADE .093 PCB
P10, P20

11 SPOT0158 71190158 71190158 10KY,60MM STD FADER
VR101, VR201, VR301, VR401, VR501,
VR601, VR1100, VR1101, VR1200, VR1201,
VR1202

2 SPOT0159 71190159 71190159 10KY,60MM DUAL STD FADER
VR705, VR805

15 SW2356 71322356 71322356 DPDT PUSH BUTTON SW 2.8MM SQ SHAFT
S100, S200, S300, S400, S500, S502,
S503, S600, S602, S603, S700, S800,
S1100, S1101, S1300

8 SW2360 SW2360 71322360 4PDT PUCH BUTTON SW, 2.8MM SHAFT
S101, S201, S301, S401, S501, S601,
S701, S801

2 TCONN6 73716720 73716720 6C-WTB-HDR-SHRD-.098"-TIN
J105, J1400

2 TCONN8 73716721 73716721 8C-WTB-HDR-SHRD-.098"-TIN
J106, J107

* END OF BILL OF MATERIALS REPORT *
