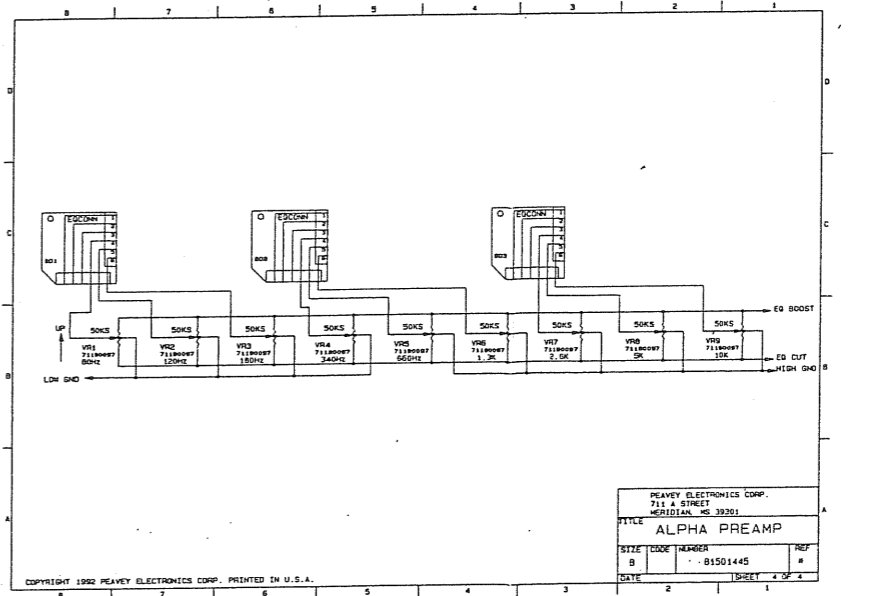
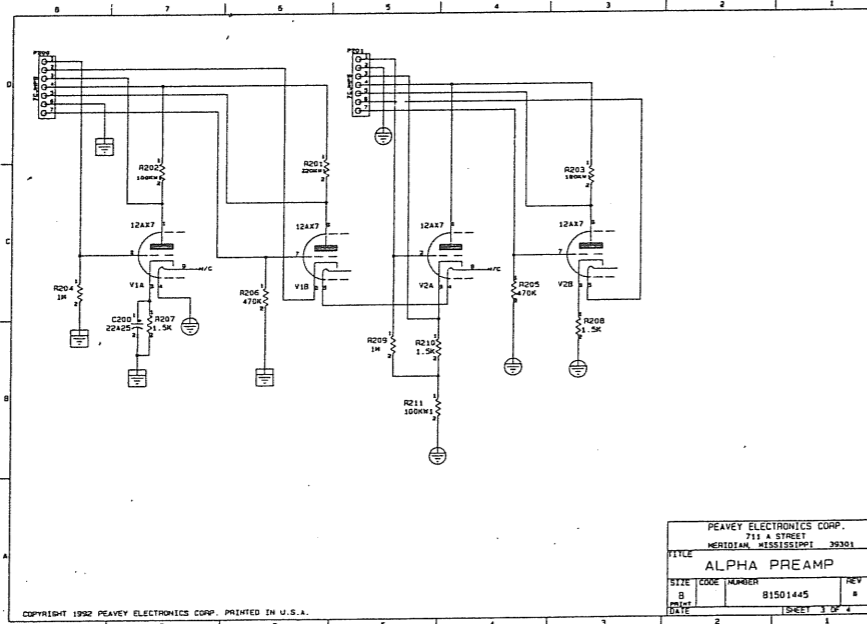
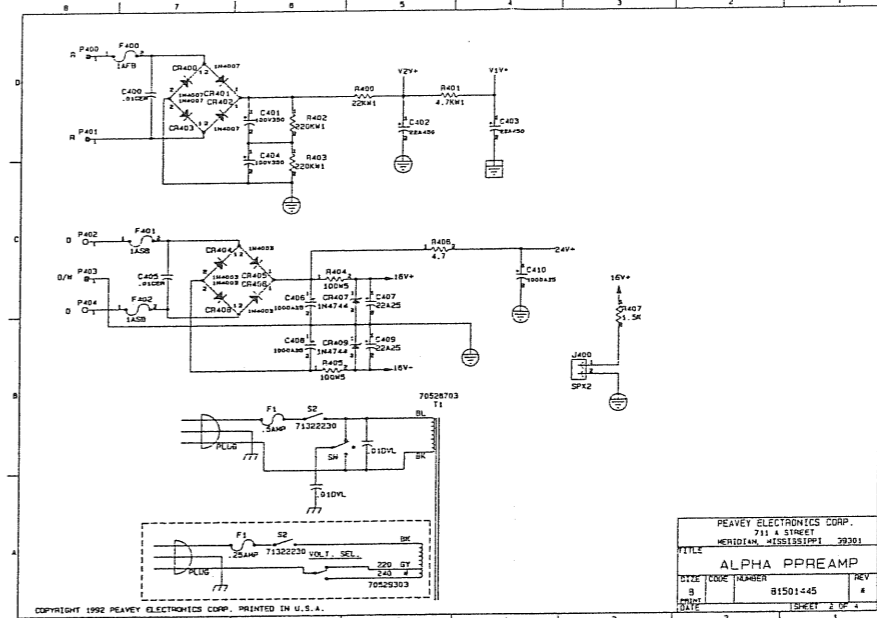
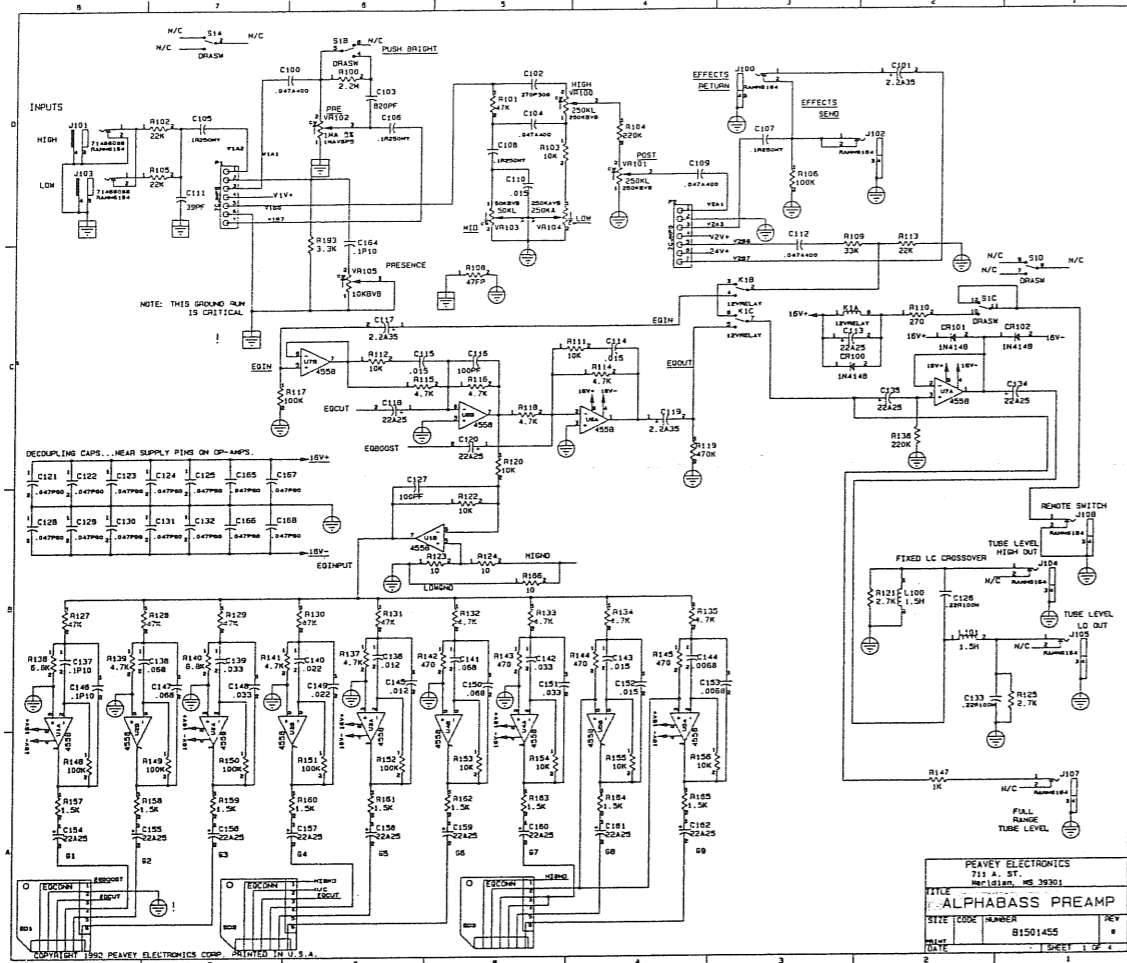
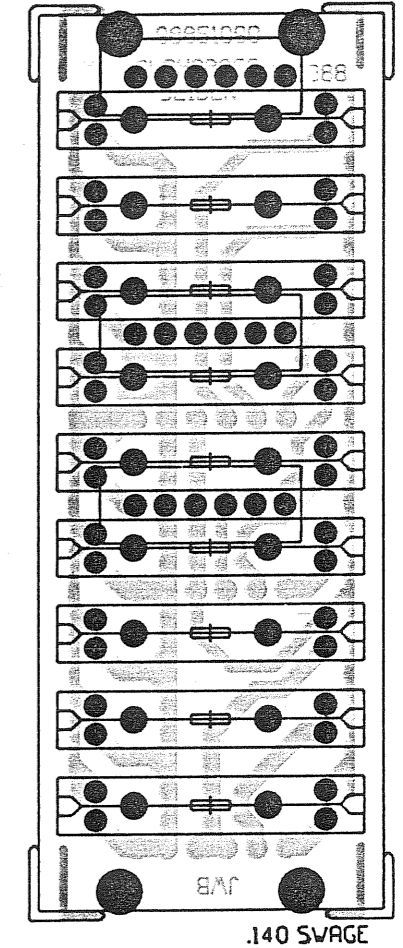
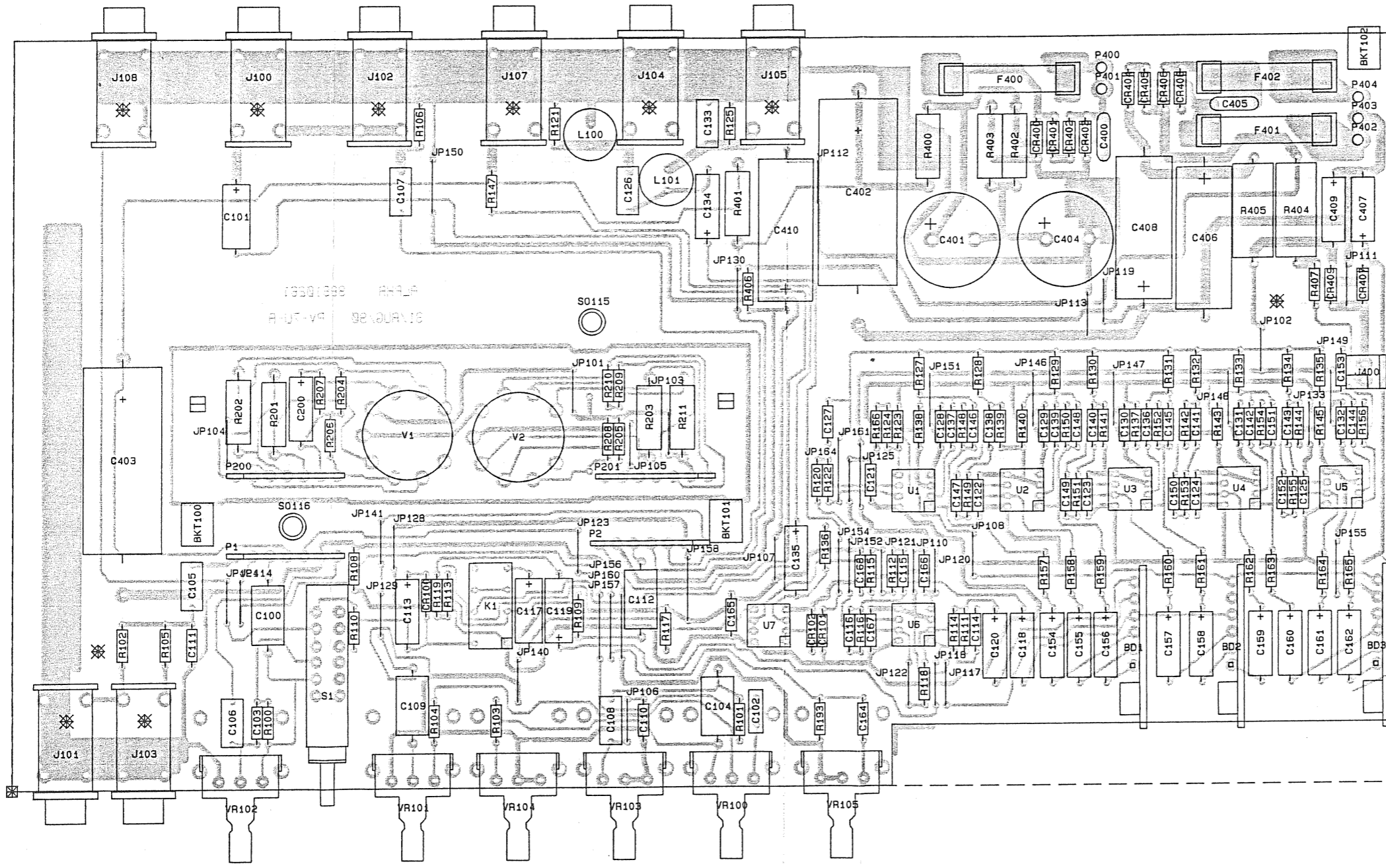
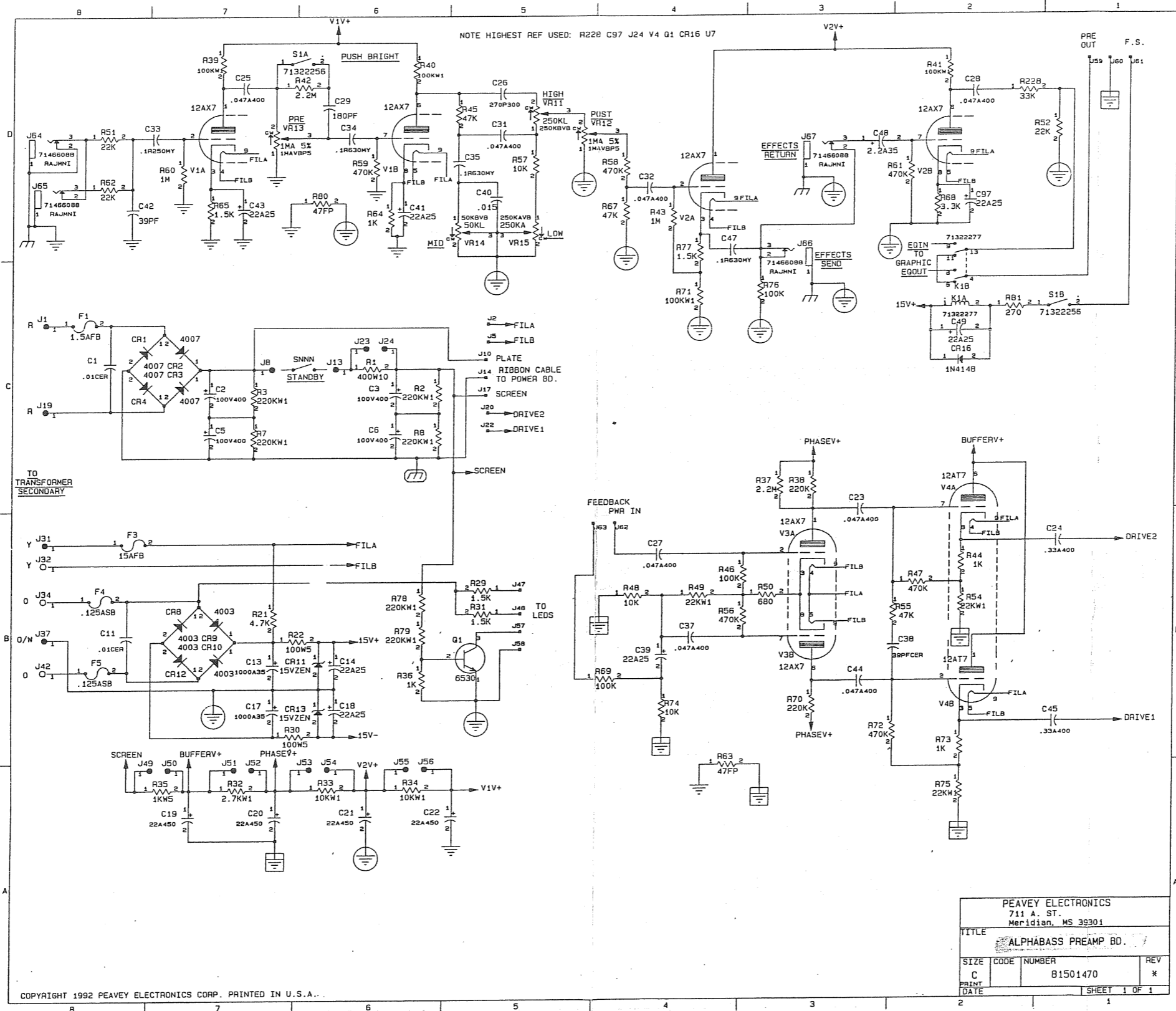


# ALPHA BASS

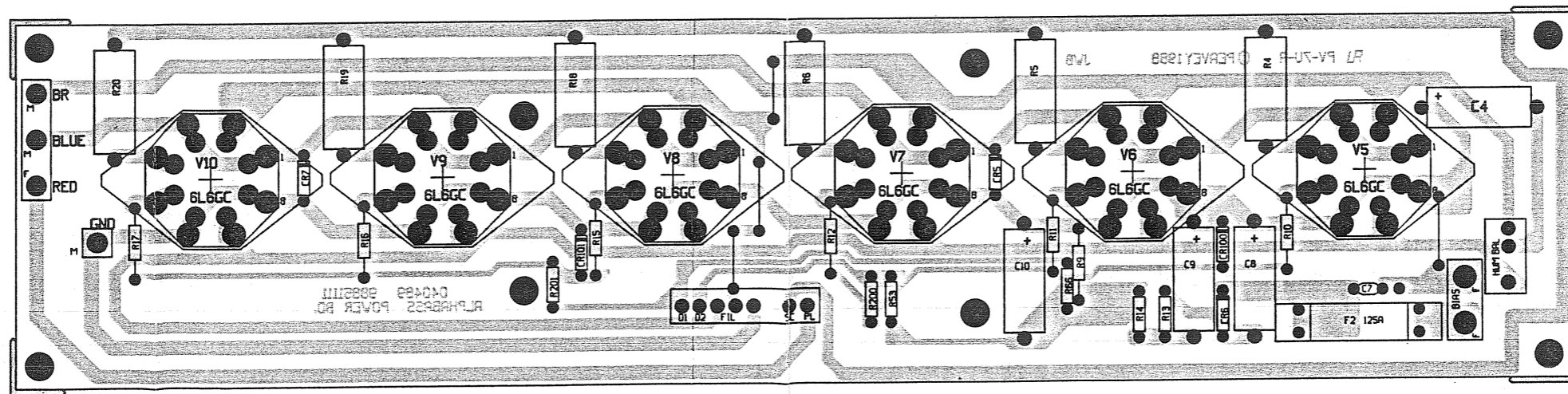
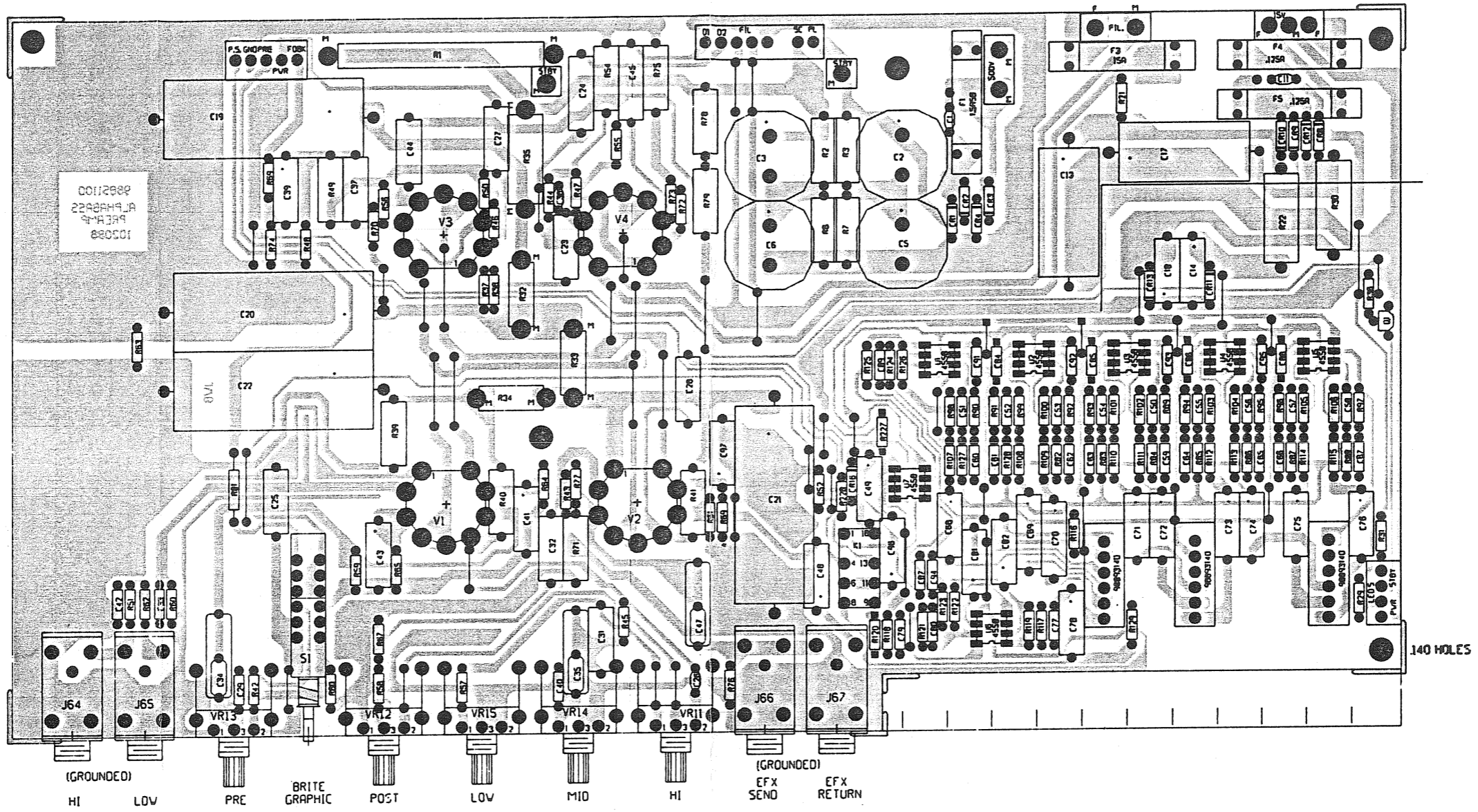


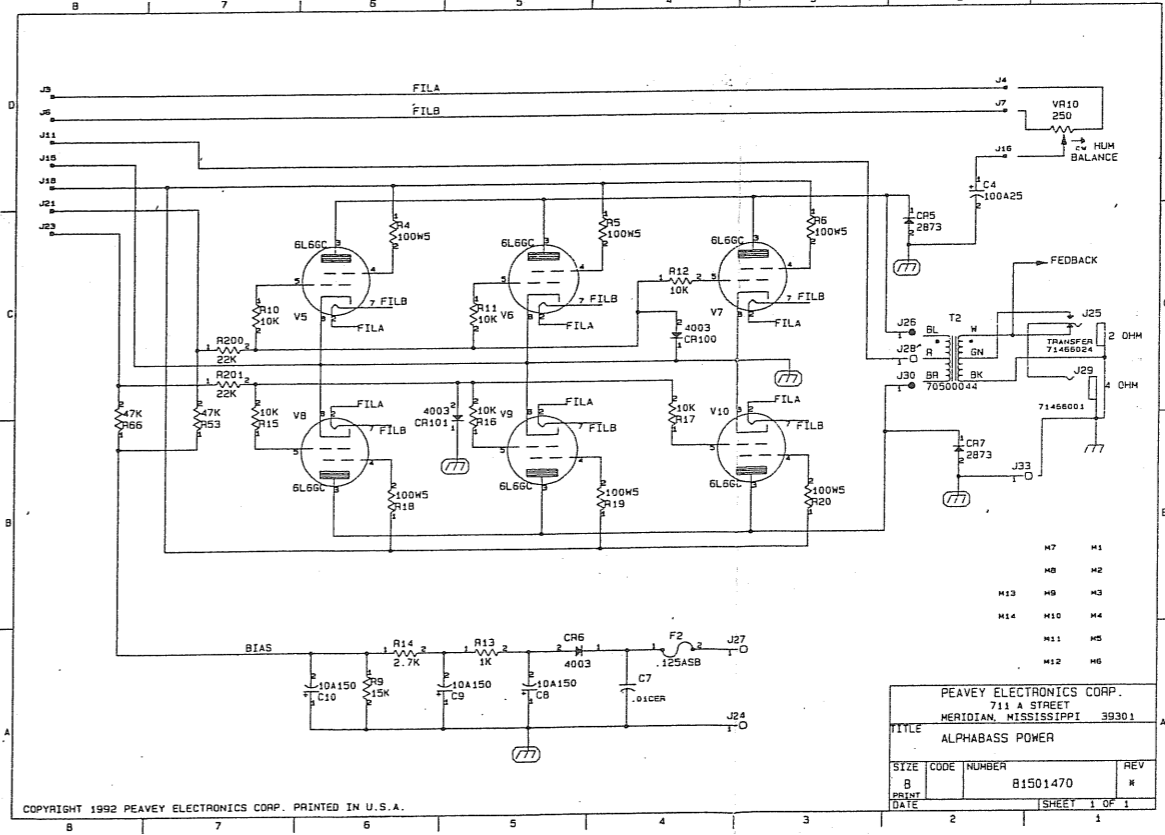
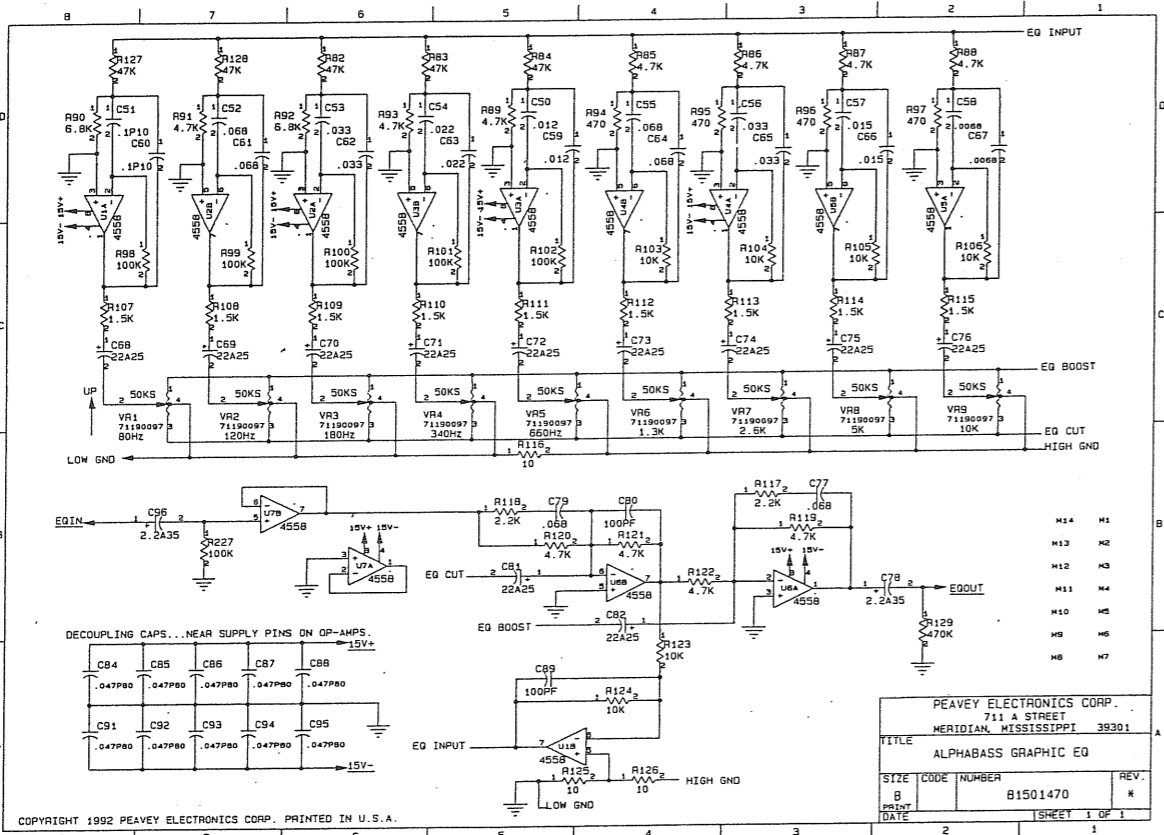
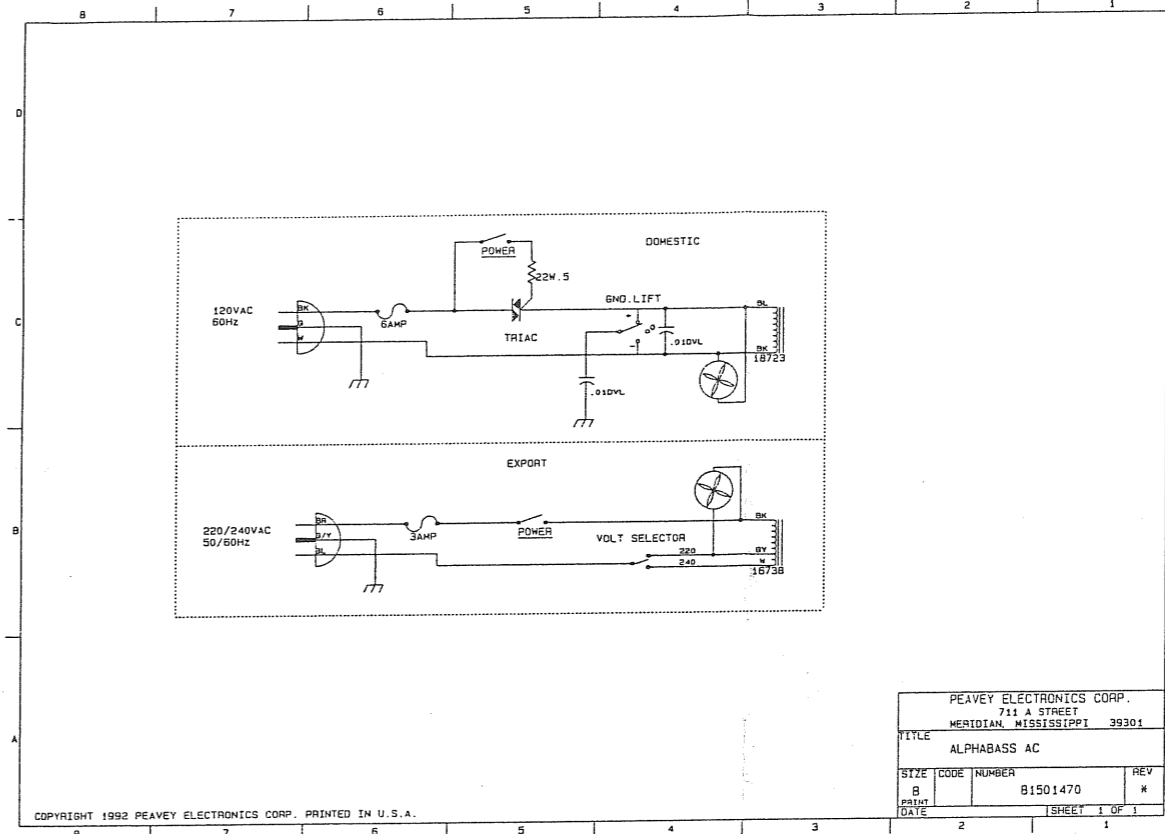
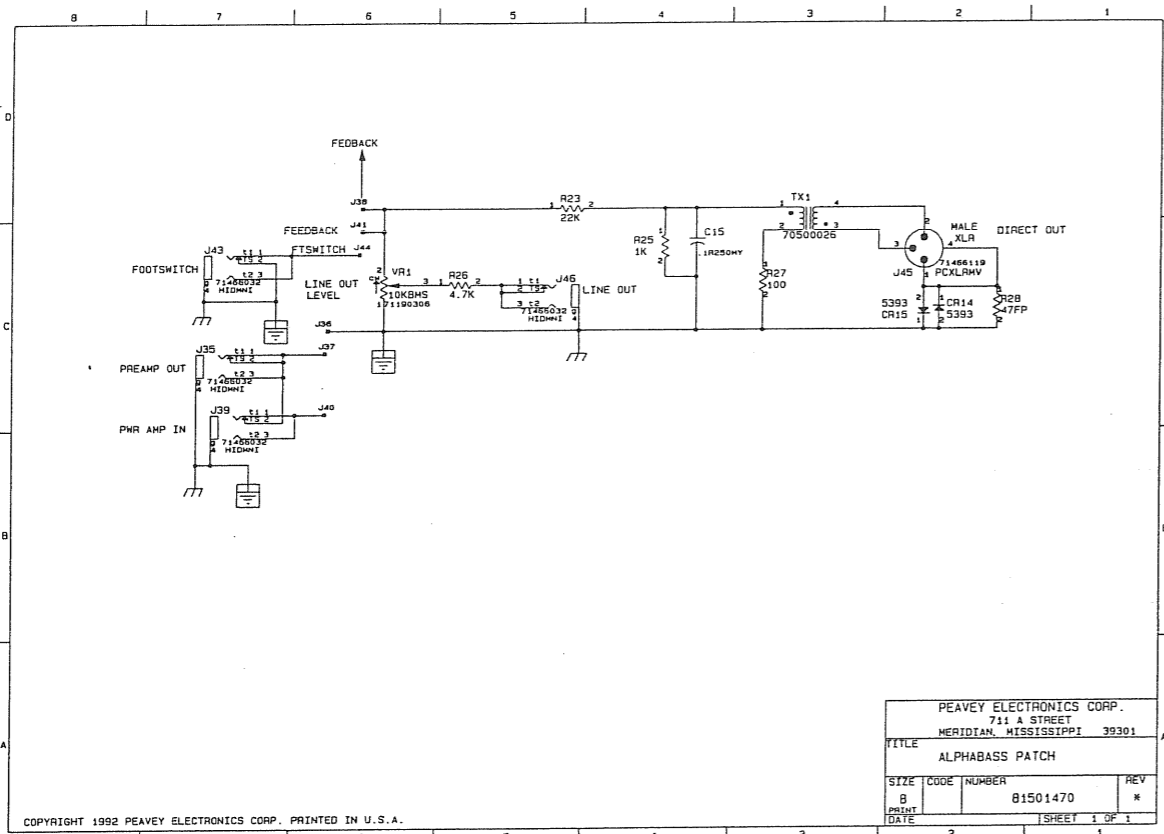


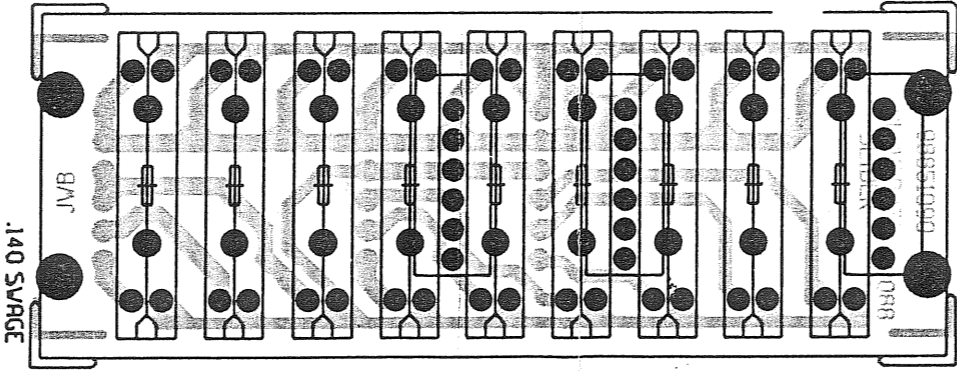
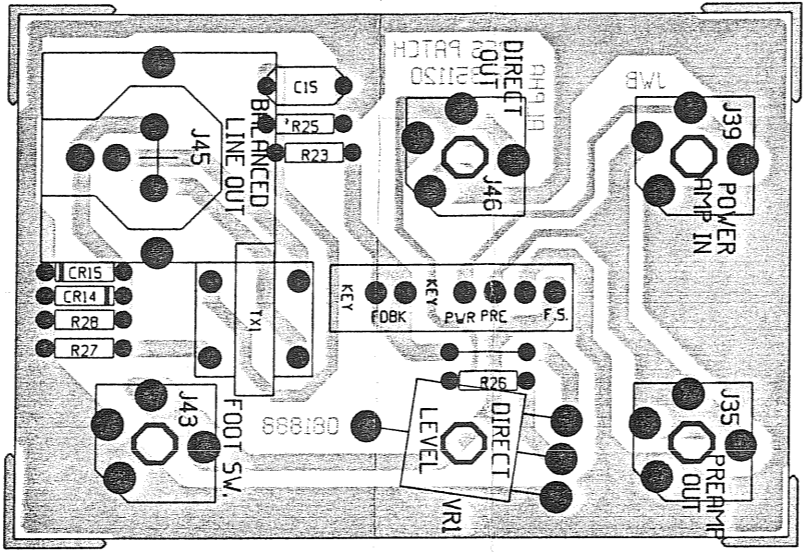


COPYRIGHT 1992 PEAVEY ELECTRONICS CORP. PRINTED IN U.S.A.

PEAVEY ELECTRONICS 711 A. ST. Meridian, MS 39301			
TITLE ALPHABASS PREAMP BD.			
SIZE C	CODE PRINT	NUMBER B1501470	REV *
DATE			SHEET 1 OF 1







ALPHA BASS

ALPHA PREAMP

Table with columns: NAME, VALUE, NUMBER, DESCRIPTION. Lists components for ALPHA PREAMP including capacitors (C100-C409), resistors (R100-R409), diodes (CR100-CR409), fuses (F400-F402), and relays (J100-J105).

SLIDER BD.

Table with columns: NAME, VALUE, NUMBER, DESCRIPTION. Lists components for SLIDER BD including sliders (VR1-VR9) and relays (V1, V2).

