

**NOTES**

ALL POTS ARE LINEAR UNLESS NOTED  
 ALL RESISTORS 1/4W UNLESS NOTED  
 ALL RESISTORS IN OHMS UNLESS NOTED  
 ALL CAPACITORS IN MFD UNLESS NOTED  
 ALL DIODES IN4148 UNLESS NOTED  
 LAST REF DESIGNATOR USED:  
 R58 C41 CR25 Q5  
 \*SATURATION PATENT #4,405,832

**WARNING: SERVICE MAN**

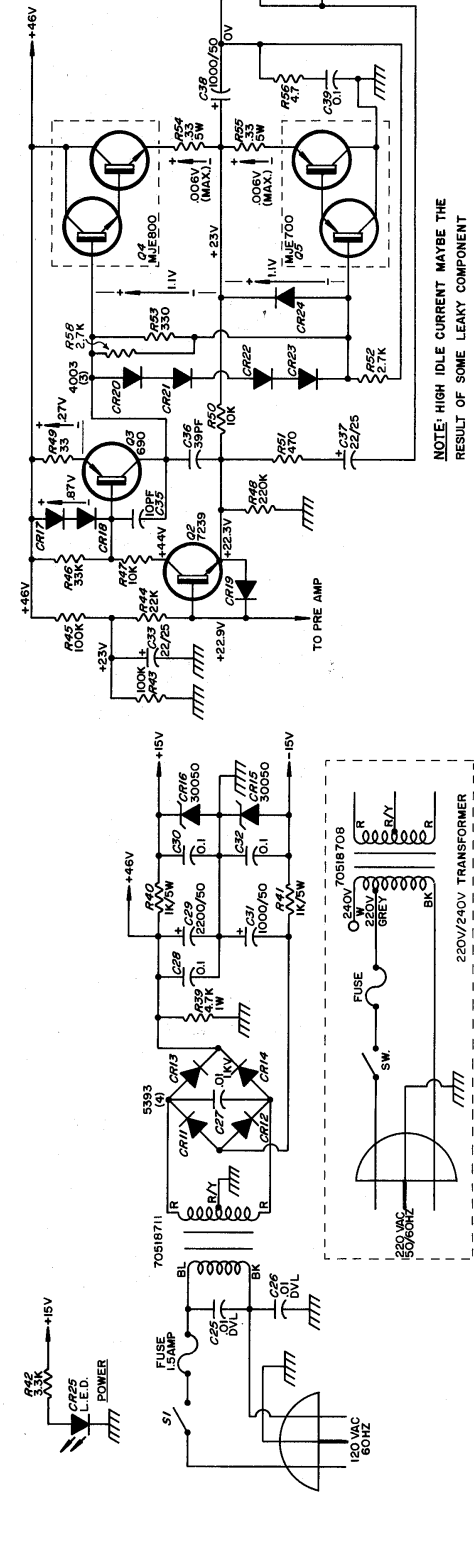
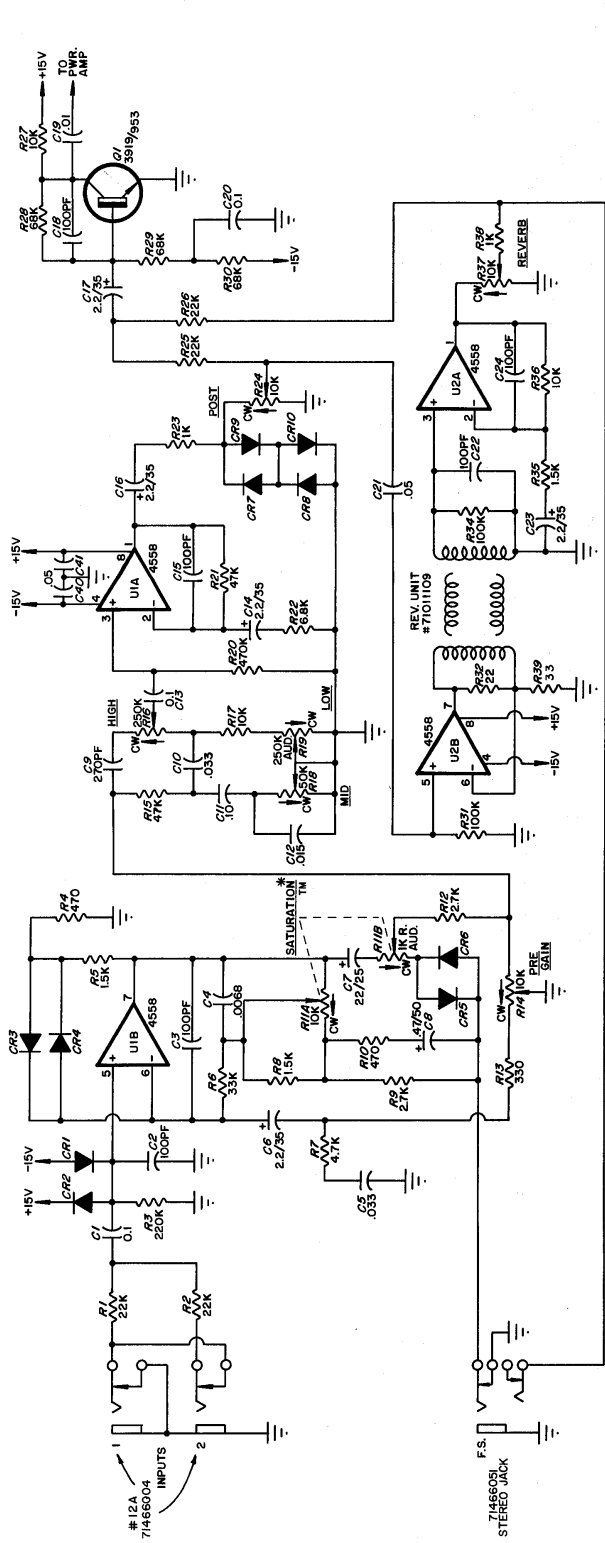
POWER AMPLIFIER CIRCUIT WILL NOT  
 FUNCTION PROPERLY WITHOUT A  
 SPEAKER OR DUMMY LOAD CONNECTED.

**TRANSISTOR CROSS-REFERENCE**

4558 —MC1458, TL072  
 7239 —2N3904  
 953 —SK3919  
 690 —2N4249  
 MJE 800 —SJE 5980 DARLINGTON  
 MJE 700 —SJE 5879 DARLINGTON

**IDLE CURRENT MODIFICATIONS**

- 1) REPLACE R48(220K) WITH A 100K/1/4W
- 2) MAKE SURE R53 IS A 330 OHM.
- 3) ALLOW UNIT TO OPERATE INTO LOAD AT APPROX. 1/2 POWER FOR ABOUT 1 MINUTE.
- 4) REMOVE SIGNAL AND READ THE VOLTAGE ACROSS R53.
- 5) IF THIS VOLTAGE IS ABOVE .006VDC THEN BRIDGE R66 WITH A 2.7K OHM 1/4 WATT RESISTOR.
- 6) IF THE VOLTAGE IS STILL ABOVE .006VDC THEN REMOVE THE 2.7K AND TRY A 1.5K 1/2WATT RESISTOR.



NOTE: HIGH IDLE CURRENT MAYBE THE  
 RESULT OF SOME LEAKY COMPONENT  
 ELSEWHERE IN THE POWER AMP  
 THIS SHOULD BE TAKEN INTO  
 CONSIDERATION BEFORE MODIFYING.

BACKSTAGE  
 BR.# 3902023

REVISED 4/16/84  
 PEAVEY ELECTRONICS CORP  
 MERIDIAN, MS.  
 DRAWN BY DATE 11/13/80  
 C.B. CHECK  
 APPR. BY

P/N 81501175

COPYRIGHT 1984 PEAVEY ELECTRONICS CORP PRINTED IN U.S.A.

BACKSTAGE®

