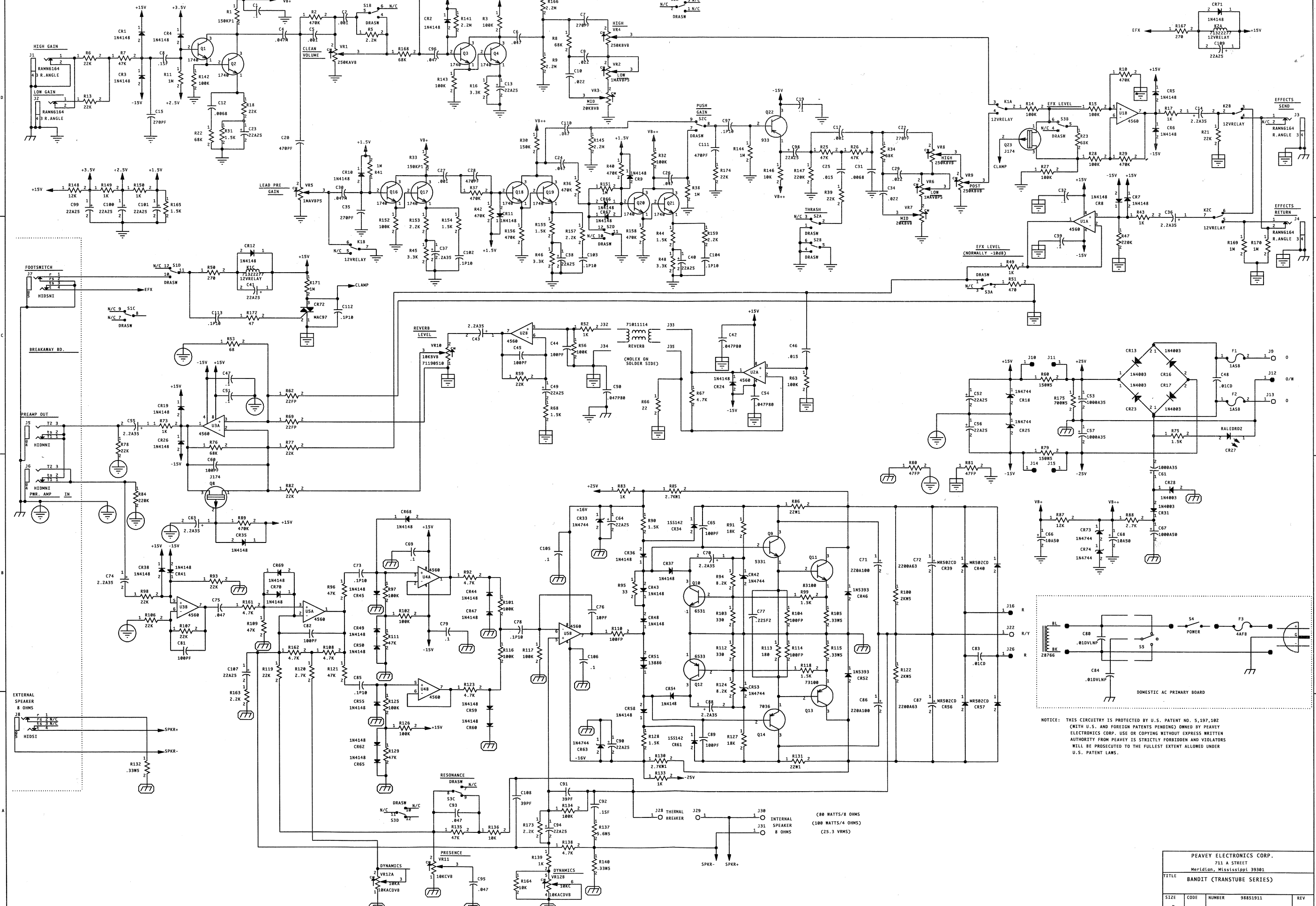
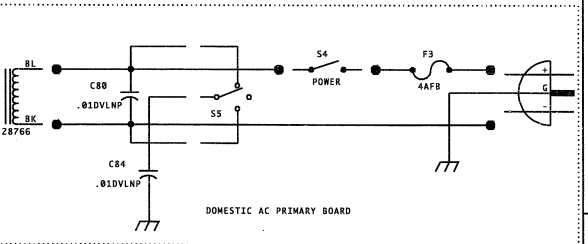


98851911  
Bandit (TransTube)

LAST REFNUM USED: R175 C113 CR70 J35 Q23 U5 55 VR12



NOTICE: THIS CIRCUITRY IS PROTECTED BY U.S. PATENT NO. 5,197,182 (WITH U.S. AND FOREIGN PATENTS PENDING) OWNED BY PEAVEY ELECTRONICS CORP. USE OR COPYING WITHOUT EXPRESS WRITTEN AUTHORITY FROM PEAVEY IS STRICTLY FORBIDDEN AND VIOLATORS WILL BE PROSECUTED TO THE FULLEST EXTENT ALLOWED UNDER U.S. PATENT LAWS.



PEAVEY ELECTRONICS CORP.			
711 A STREET			
Meridian, Mississippi 39301			
TITLE BANDIT (TRANSTUBE SERIES)			
SIZE	CODE	NUMBER	REV
D	PRINT	#1501601	
DATE	28-APR-95		SHEET 1 OF 1

BOARD NAME: BANDIT TRANS

ASSEMBLY LEVEL NUMBER: 99051911

PART	QTY	NAME	VALUE	NUMBER	DESCRIPTION AND DEVICE DESIGNATIONS
1	.1		.1	70340100	.1MF+80-20%-50VDC-AXL-T&R
1	.001		.001	70340000	.001MF-10%-50VDC-MON-T&R
1	.047M		.047M	70330136	.047M 5% 50vdc my T&A
1	.001		.001	70340000	.001MF-10%-50VDC-MON-T&R
1	.047		.047	70340017	.047MF-10%-50VDC-MON-T&R
1	270PF		270PF	70340057	270PF-10%-50VDC-T/C-T&R
1	.1SF		.1SF	70330113	0.10 MFD 10% 100V STCK FILM T&A
2	.022		.022	70340012	.022MF-10%-50VDC-MON-T&R
1	.0068		.0068	70340008	.0068MF-10%-50VDC-MON-T&R
1	22A25		22A25	70320012	22MFD +/-20% 25VDC EL AXL
1	2.2A35		2.2A35	70320200	2.2MFD 35VDC LY.CAP T&R
1	270PF		270PF	70340057	270PF-10%-50VDC-T/C-T&R
1	.001		.001	70340000	.001MF-10%-50VDC-MON-T&R
1	.1		.1	70340100	.1MF+80-20%-50VDC-AXL-T&R
1	470PF		470PF	70340058	470PF-10%-50VDC-T/C-T&R
1	270PF		270PF	70340057	270PF-10%-50VDC-T/C-T&R
1	22A25		22A25	70320012	22MFD +/-20% 25VDC EL AXL
1	.047		.047	70340017	.047MF-10%-50VDC-MON-T&R
1	.015		.015	70340010	.015MF-10%-50VDC-T/C-T&R
1	.047		.047	70340017	.047MF-10%-50VDC-MON-T&R
1	.001		.001	70340000	.001MF-10%-50VDC-MON-T&R
1	470PF		470PF	70340058	470PF-10%-50VDC-T/C-T&R
1	.022		.022	70340012	.022MF-10%-50VDC-MON-T&R
1	.047M		.047M	70330136	.047M 5% 50vdc my T&A
1	.0068		.0068	70340008	.0068MF-10%-50VDC-MON-T&R
1	.1		.1	70340100	.1MF+80-20%-50VDC-AXL-T&R
1	.022		.022	70340012	.022MF-10%-50VDC-MON-T&R
1	270PF		270PF	70340057	270PF-10%-50VDC-T/C-T&R
2	2.2A35		2.2A35	70320200	2.2MFD 35VDC LY.CAP T&R
1	22A25		22A25	70320012	22MFD +/-20% 25VDC EL AXL
1	.1		.1	70340100	.1MF+80-20%-50VDC-AXL-T&R
2	22A25		22A25	70320012	22MFD +/-20% 25VDC EL AXL
1	.047P80		.047P80	70340016	.047MF+80-20%-50VDC-MON-T&R
1	2.2A35		2.2A35	70320200	2.2MFD 35VDC LY.CAP T&R
2	100PF		100PF	70340054	100PF-10%-50VDC-T/C-T&R
1	.015		.015	70340010	.015MF-10%-50VDC-T/C-T&R
1	.1		.1	70340100	.1MF+80-20%-50VDC-AXL-T&R
1	.01CD		.01CD	70320248	.01MF-20%-1000VDC-CD-T&A
1	22A25		22A25	70320012	22MFD +/-20% 25VDC EL AXL
1	.047P80		.047P80	70340016	.047MF+80-20%-50VDC-MON-T&R
1	.1		.1	70340100	.1MF+80-20%-50VDC-AXL-T&R
1	22A25		22A25	70320012	22MFD +/-20% 25VDC EL AXL
1	1000A35		1000A35	70320038	1000 MFD 35VDC LYTIC CAP
1	.047P80		.047P80	70340016	.047MF+80-20%-50VDC-MON-T&R
1	2.2A35		2.2A35	70320200	2.2MFD 35VDC LY.CAP T&R
1	22A25		22A25	70320012	22MFD +/-20% 25VDC EL AXL
1	1000A35		1000A35	70320038	1000 MFD 35VDC LYTIC CAP
1	100PF		100PF	70340054	100PF-10%-50VDC-T/C-T&R
1	1000A35		1000A35	70320038	1000 MFD 35VDC LYTIC CAP
1	2.2A35		2.2A35	70320200	2.2MFD 35VDC LY.CAP T&R

1	22A25	22A25	70320012	22MFD +/-20% 25VDC EL AXL
1	100PF	100PF	70340054	100PF-10%-50VDC-T/C-T&R
1	10A50	10A50	70320112	10MFD 50V T&R
1	1000A50	1000A50	70320026	1000MF - 50VDC - EL - AXL
1	10A50	10A50	70320112	10MFD 50V T&R
1	.1	.1	70340100	.1MF+80-20%-50VDC-AXL-T&R
1	2.2A35	2.2A35	70320200	2.2MFD 35VDC LY.CAP T&R
1	220A100	220A100	70320017	220 MFD 100VDC LYTIC CAP
1	2200A63	2200A63	70320274	2200 MFD 20% 63VDC LYTIC CAP AXL
1	.1P10	.1P10	70340101	.1MF-10%-50VDC-MON-T&R
1	2.2A35	2.2A35	70320200	2.2MFD 35VDC LY.CAP T&R
1	.047	.047	70340017	.047MF-10%-50VDC-MON-T&R
1	10PF	10PF	70340050	10PF-5%-T/C-T&R
1	.22SF2	.22SF2	70330114	0.22 MF 5% 100V STCK FILM t&a
1	.1P10	.1P10	70340101	.1MF-10%-50VDC-MON-T&R
1	.1	.1	70340100	.1MF+80-20%-50VDC-AXL-T&R
2	100PF	100PF	70340054	100PF-10%-50VDC-T/C-T&R
1	.01CD	.01CD	70320248	.01MF-20%-1000VDC-CD-T&A
1	.1P10	.1P10	70340101	.1MF-10%-50VDC-MON-T&R
1	220A100	220A100	70320017	220 MFD 100VDC LYTIC CAP
1	2200A63	2200A63	70320274	2200 MFD 20% 63VDC LYTIC CAP AXL
1	2.2A35	2.2A35	70320200	2.2MFD 35VDC LY.CAP T&R
1	100PF	100PF	70340054	100PF-10%-50VDC-T/C-T&R
1	22A25	22A25	70320012	22MFD +/-20% 25VDC EL AXL
1	39PF	39PF	70340052	39PF-50VDC-T/C-T&R
1	.1SF	.1SF	70330113	0.10 MFD 10% 100V STCK FILM T&A
1	.047	.047	70340017	.047MF-10%-50VDC-MON-T&R
1	22A25	22A25	70320012	22MFD +/-20% 25VDC EL AXL
2	.047	.047	70340017	.047MF-10%-50VDC-MON-T&R
1	.1P10	.1P10	70340101	.1MF-10%-50VDC-MON-T&R
4	22A25	22A25	70320012	22MFD +/-20% 25VDC EL AXL
3	.1P10	.1P10	70340101	.1MF-10%-50VDC-MON-T&R
2	.1	.1	70340100	.1MF+80-20%-50VDC-AXL-T&R
1	22A25	22A25	70320012	22MFD +/-20% 25VDC EL AXL
1	39PF	39PF	70340052	39PF-50VDC-T/C-T&R
1	22A25	22A25	70320012	22MFD +/-20% 25VDC EL AXL
1	.047	.047	70340017	.047MF-10%-50VDC-MON-T&R
1	470PF	470PF	70340058	470PF-10%-50VDC-T/C-T&R
2	.1P10	.1P10	70340101	.1MF-10%-50VDC-MON-T&R
12	1N4148	4148	70464148	1N4148 75V 10MA SILICON DIODE
3	1N4003	1N4003	70464003	1N4003 200V SILICON DIODE
1	1N4744	4744	70440102	SZG40102 15V 5% ZENER DIODE
1	1N4148	4148	70464148	1N4148 75V 10MA SILICON DIODE
1	1N4003	1N4003	70464003	1N4003 200V SILICON DIODE
1	1N4148	4148	70464148	1N4148 75V 10MA SILICON DIODE
1	1N4744	4744	70440102	SZG40102 15V 5% ZENER DIODE
1	1N4148	4148	70464148	1N4148 75V 10MA SILICON DIODE
1	RALEDRD2	RALEDRD2	70450577	SE-8711-D-RD-25MM LDS REC - RIGHT ANGLE
2	1N4003	1N4003	70464003	1N4003 200V SILICON DIODE
1	1N4744	4744	70440102	SZG40102 15V 5% ZENER DIODE
1	1SS142	1SS142	70400142	1SS142 250V SILICON DIODE
4	1N4148	4148	70464148	1N4148 75V 10MA SILICON DIODE

2	MR502CD	MR502CD	70400502	MR502/1N5402 200V, 3A SILICON DIODE - CATH DOWN
1	1N4148	4148	70464148	1N4148 75V 10MA SILICON DIODE
1	1N4744	4744	70440102	SZG40102 15V 5% ZENER DIODE
3	1N4148	4148	70464148	1N4148 75V 10MA SILICON DIODE
1	1N5393	5393	70465393	1N5393-RL 200V, 1.5, 5% DIODE -T&R
4	1N4148	4148	70464148	1N4148 75V 10MA SILICON DIODE
1	13886	13886	70413886	SZ-13886-2 DUAL DIODE
1	1N5393	5393	70465393	1N5393-RL 200V, 1.5, 5% DIODE -T&R
1	1N4744	4744	70440102	SZG40102 15V 5% ZENER DIODE
2	1N4148	4148	70464148	1N4148 75V 10MA SILICON DIODE
2	MR502CD	MR502CD	70400502	MR502/1N5402 200V, 3A SILICON DIODE - CATH DOWN
3	1N4148	4148	70464148	1N4148 75V 10MA SILICON DIODE
1	1SS142	1SS142	70400142	1SS142 250V SILICON DIODE
1	1N4148	4148	70464148	1N4148 75V 10MA SILICON DIODE
1	1N4744	4744	70440102	SZG40102 15V 5% ZENER DIODE
7	1N4148	4148	70464148	1N4148 75V 10MA SILICON DIODE
1	MAC97	MAC97	70460097	MAC97-6 400V .6A TO-92 TRIAC T&A
2	1N4744	4744	70440102	SZG40102 15V 5% ZENER DIODE
2	1ASB	1ASB	70900379	1 AMP S/B FUSE WITH 2 FUSECLIPS #70900816
1	HS0675	98000675	98000675	TKO 80 HEATSINK
2	HS2522	98002522	98002522	3/8" HEATSINK PUNCHED
4	RAMN6164	71466164	71466164	JK R/A 12.5MM NIN MONO -88
2	HIDMNI	71466214	71466214	2 TIP HID JACK NINS W/SPD
1	HIDSNI	71466217	71466217	STEREO HID JACK NINS W/SPD
1	HIDSI	71466216	71466216	STEREO HID JACK INSU W/SPD
1	FMPU	73711811	73711811	M118-171 C.B. FEMALE MOLEX PIN
3	MMPU	73711812	73711812	R93-12 PN C.B. MALE MOLEX PIN
1	FMPU	73711811	73711811	M118-171 C.B. FEMALE MOLEX PIN
3	MMPU	73711812	73711812	R93-12 PN C.B. MALE MOLEX PIN
1	FMPU	73711811	73711811	M118-171 C.B. FEMALE MOLEX PIN
1	MMPU	73711812	73711812	R93-12 PN C.B. MALE MOLEX PIN
2	WJ8BK4SP	WJ8BK4SP	91090271	BK-18G-4*-CPT-205SPD/RA
1	WJ8YL6SP	WJ8YL6SP	91015068	YL-18G-6*-CPT-205SPD
1	WJ8BL6SP	WJ8BL6SP	91014069	bl-18G-6*-CPT-205SPD
4	SPX1D	SPX1D	73717003	1 STAKE PIN
8	SPX1U	SPX1U	73717003	1 STAKE PIN
8	SPX1D	SPX1D	73717003	1 STAKE PIN
2	12VRELAY	71322277	71322277	DPDT OMRON RELAY 12VDC
2	500STW	70901859	70901859	K1, K2
4	1740	1740	70401740	SPCR,R,TA-40X1/2,SW,AL,ST
1	J174	J174	70460174	M100, M101
1	5331	5331	70405331	2SC1740SLN 40V,.1A, NPN, LOW NOISE T&A
1	6531	6531	70466531	Q1, Q2, Q3, Q4
1	83100	83100	70483100	J-174 30V TO-92 P-CHAN FET T&A
1	6533	6533	70466533	Q8
1	73100	73100	70473100	SJE-5331 CASE-77 NPN
1	7036	7036	70407036	Q9
6	1740	1740	70401740	MPS-6531 TO92 NPN TRANS. T&A
1	933	933	70400933	Q10
1	J174	J174	70460174	SJ-83100, NPN, 3 AMP, 100V, METRIC TO-3 TRANS
1	150KP1	150KP1	70241035	Q11
1	470K	470K	70240038	MPS-6533/34 TO-92 PNP TRANS T&A

