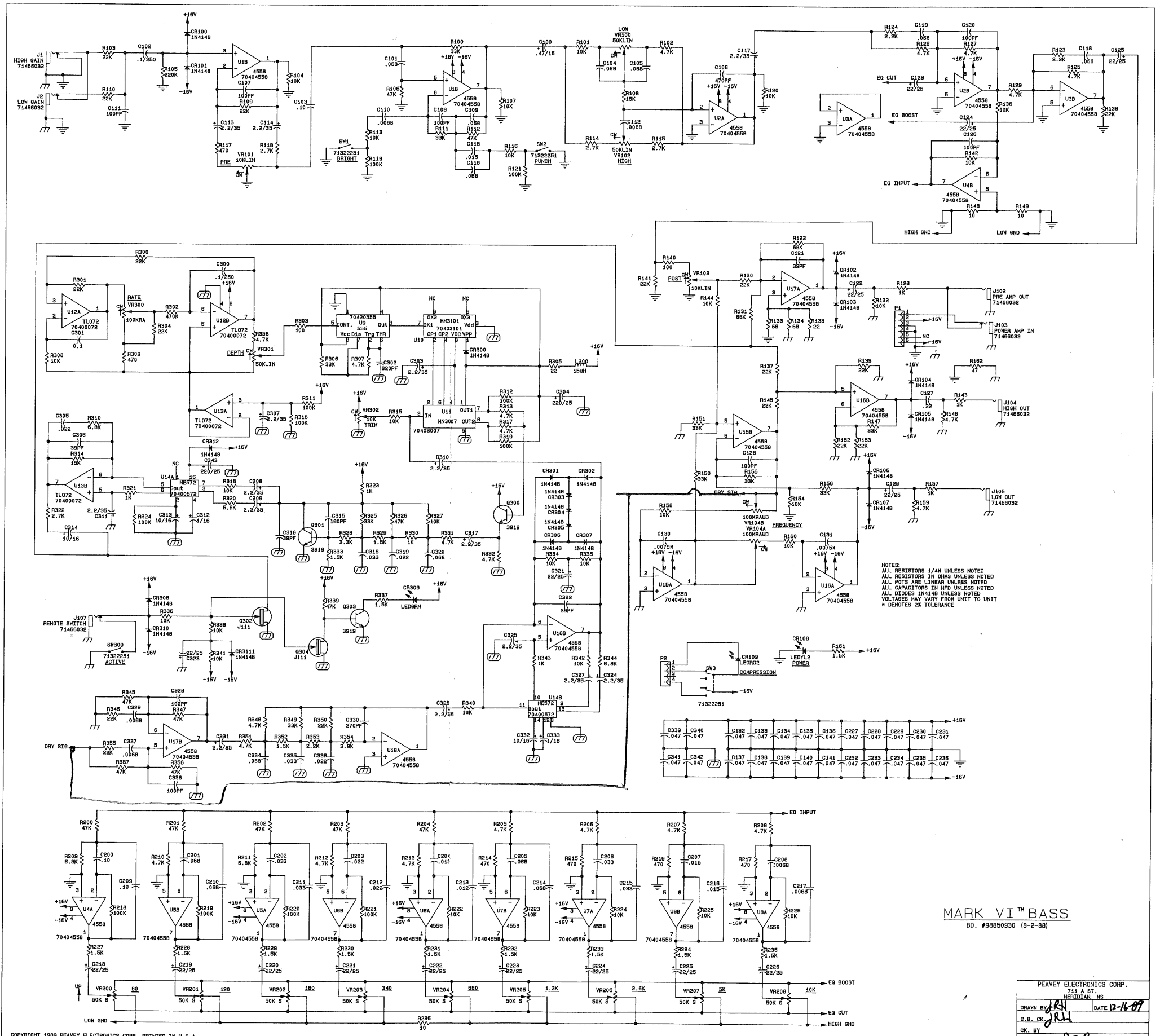


MARK VI™ BASS

Bass  
MK *[Signature]*

402 P/M

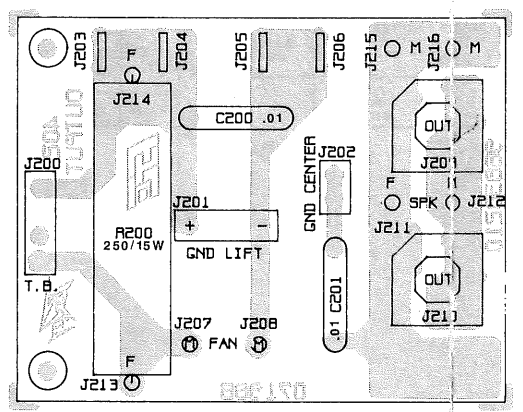
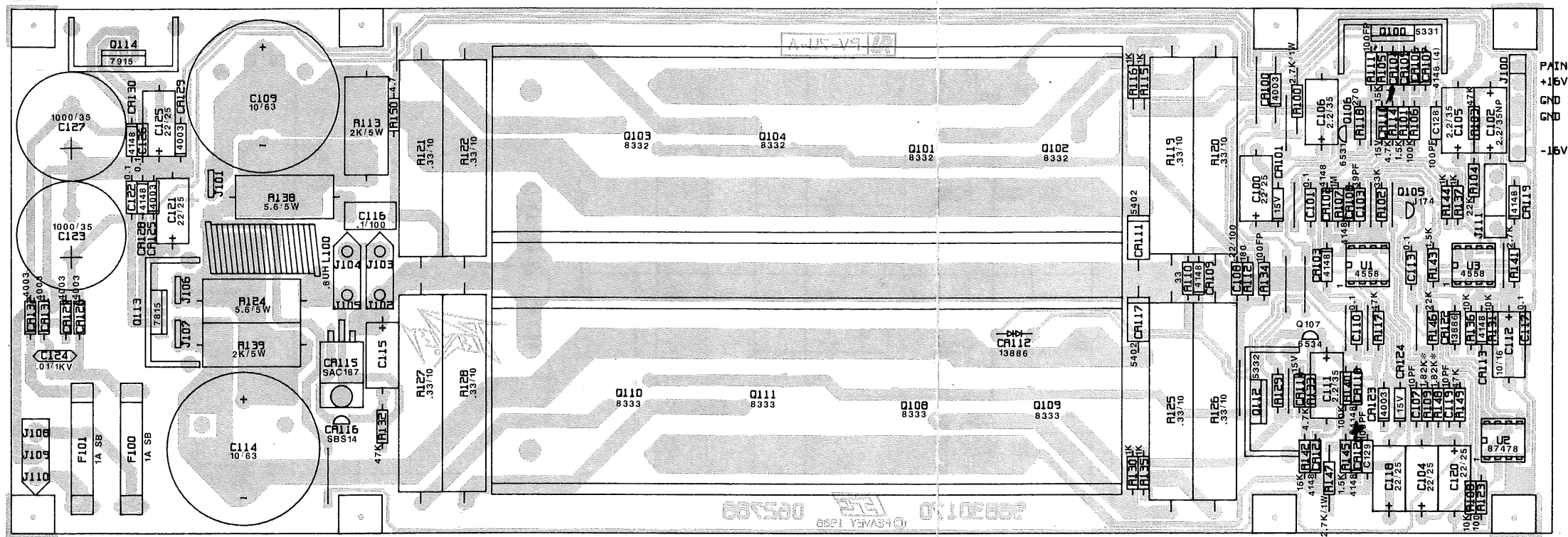
\* DENOTES 2% TOLERANCE

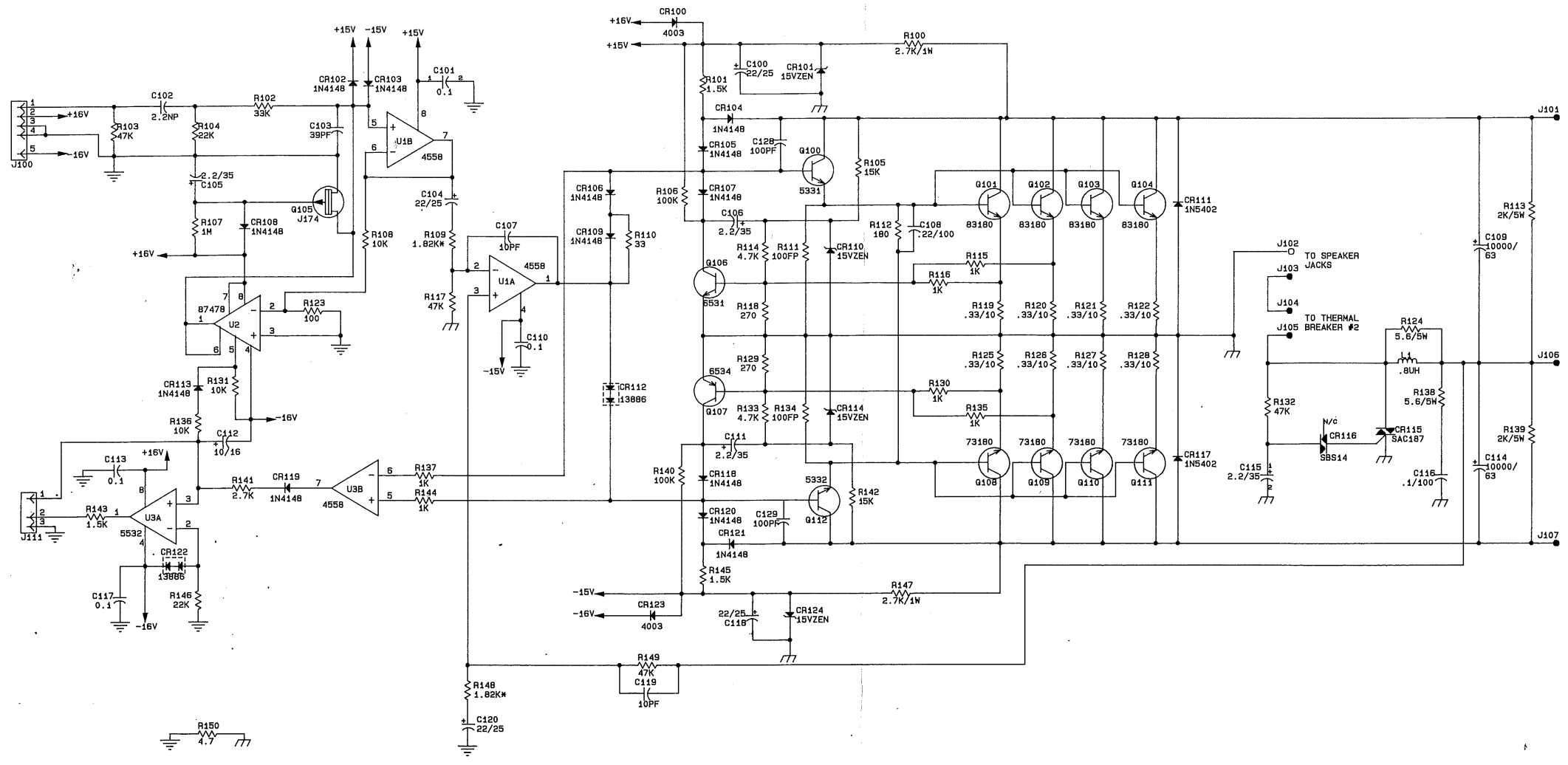


MARK VI™ BASS  
 BD. #98850930 (6-2-88)

C339	C340	C132	C133	C134	C135	C136	C227	C228	C229	C230	C231
.047	.047	.047	.047	.047	.047	.047	.047	.047	.047	.047	.047
C341	C342	C137	C138	C139	C140	C141	C232	C233	C234	C235	C236
.047	.047	.047	.047	.047	.047	.047	.047	.047	.047	.047	.047

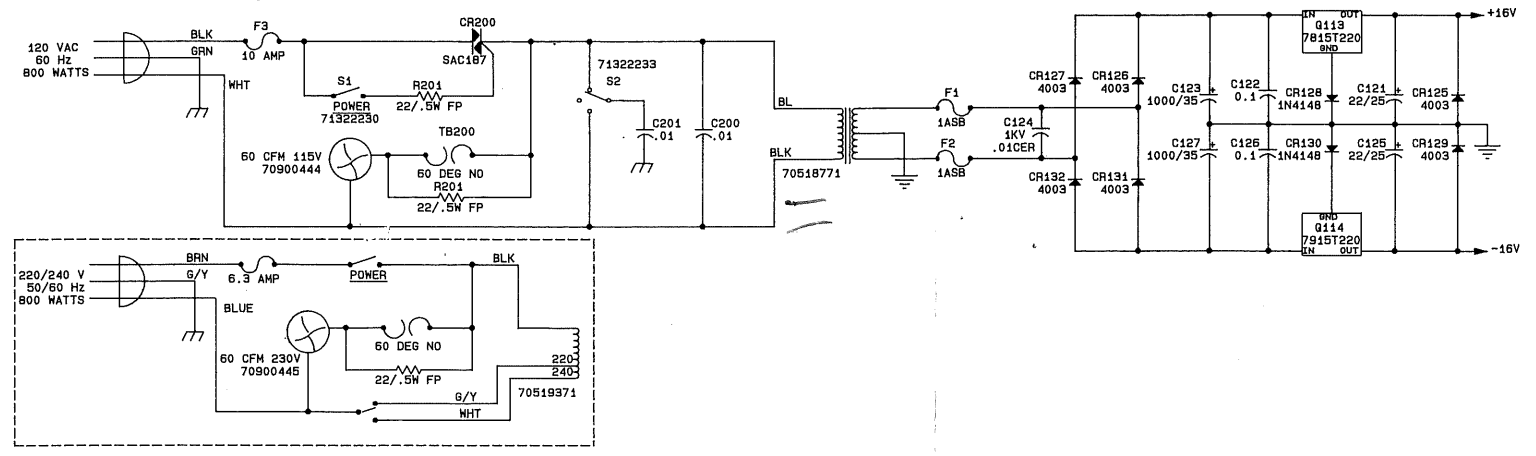
PEAVEY ELECTRONICS CORP.  
 714 S ST.  
 MERIDIAN, MS  
 DRAWN BY *RH* DATE 12-16-87  
 C.B. CK *JRL*  
 CK. BY  
 APPR. BY *Jef*





NOTES:  
 ALL RESISTORS 1/4W UNLESS NOTED  
 ALL POTS ARE LINEAR UNLESS NOTED  
 ALL CAPACITORS 1N HFD UNLESS NOTED  
 ALL DIODES 1N4148 UNLESS NOTED  
 VOLTAGES MAY VARY FROM UNIT TO UNIT  
 LAST REFERENCE DESIGNATOR USED:  
 L1, CR132, C129, R150, J111, Q114, F2

J101 TO POSITIVE RECTIFIER (70401540)  
 J102 TO SPEAKER JACKS  
 J103 TO THERMAL BREAKER #2  
 J104 TO TRANSFORMER HIGH VOLTAGE CENTER TAP  
 J105 TO NEGATIVE RECTIFIER (70401540)



**402 MODULE**  
 BD. #98830170 (6-27-88)

PEAVEY ELECTRONICS CORP. 711 A ST. MERIDIAN, MS	
DRAWN BY <i>JRH</i>	DATE <i>12-16-87</i>
C.B. CK. <i>JAH</i>	
CK. BY	
APPR. BY <i>del</i>	

P/N 81505215