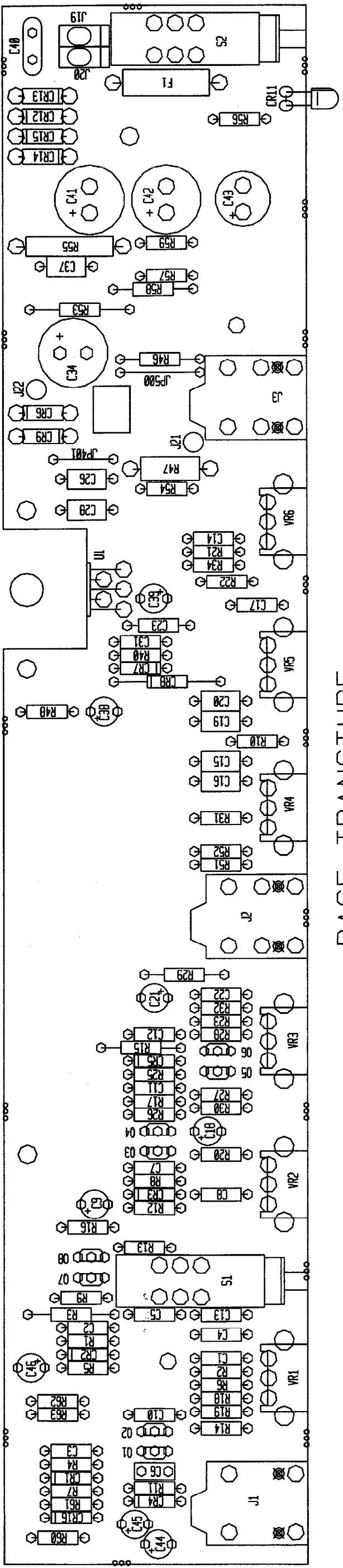
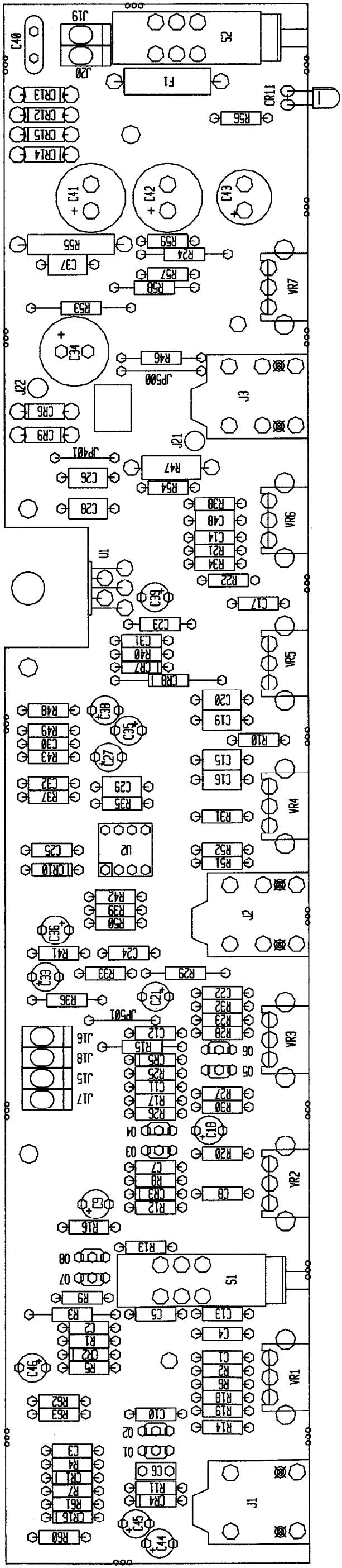


NOTICE:
 TRADE SECRET--PATENT PENDING--
 DO NOT COPY. THIS MATERIAL IS
 CONFIDENTIAL AND PROPRIETARY,
 BEING EXCLUSIVELY OWNED BY PEAVEY
 ELECTRONICS CORP. THE EXPRESSION OF
 THE INFORMATION CONTAINED HEREIN
 IS PROTECTED UNDER FEDERAL COPYRIGHT
 LAWS AND ALL COPYING IS PROHIBITED
 AND MAY BE SUBJECT TO CRIMINAL PENALTIES.

TITLE		PEAVEY ELECTRONICS CORP. 711 A STREET MERIDIAN, MISSISSIPPI 39301	
SIZE	CODE	NUMBER	REV
B		98852270	
PRINT		#81501600	
DATE		13-APR-95	SHEET 1 OF 1



RAGE TRANSTUBE
98852270



BLAZER TRANSTUBE
98852270

BOARD NAME: BLAZER/RAGE
 ASSEMBLY LEVEL NUMBER: 99052270/71

PART	VALUE	DESCRIPTION AND
* QTY	NUMBER	DEVICE DESIGNATIONS *****
1	.001	.001MF-10%-50VDC-MON-T&R
2	.047	.047MF-10%-50VDC-MON-T&R
1	470PF	470PF-10%-50VDC-T/C-T&R
1	.015	.015MF-10%-50VDC-T/C-T&R
1	.15F	.15F MFD 10% 100V STCK FILM T&A
1	.001	.001MF-10%-50VDC-MON-T&R
1	.047	.047MF-10%-50VDC-MON-T&R
1	22R50	22MF-20%-50VDC-EL-T&A
1	.0068	.0068MF-10%-50VDC-MON-T&R
1	470PF	470PF-10%-50VDC-T/C-T&R
1	.022	.022MF-10%-50VDC-MON-T&R
1	180PF	180PF-10%-50VDC-T/C-T&R
1	470PF	470PF-10%-50VDC-T/C-T&R
2	.1P10	.1P10
1	.012	.012MF-10%-50VDC-T/C-T&R
1	2.2R50	2.2MF-20%-50VDC-EL-T&A
2	.1P10	.1MF-10%-50VDC-MON-T&R
1	22R50	22MF-20%-50VDC-EL-T&A
1	.01	.01MF-10%-50VDC-T/C-T&R
1	.033	.033MF-10%-50VDC-MON-T&R
1	.015	.015MF-10%-50VDC-T/C-T&R
1	.047P80	.047MF-80-20%-50VDC-MON-T&R
1	.1P10	.1MF-10%-50VDC-MON-T&R
1	2.2R50	2.2MF-20%-50VDC-EL-T&A
2	.1P10	.1MF-10%-50VDC-MON-T&R
1	.001	.001MF-10%-50VDC-MON-T&R
2	100PF	100PF-10%-50VDC-T/C-T&R
1	22R50	22MF-20%-50VDC-EL-T&A
1	100R35	100MF-20%-35VDC-EL-T&A
1	2.2R50	2.2MF-20%-50VDC-EL-T&A
1	22R50	22MF-20%-50VDC-EL-T&A
1	.1P10	.1MF-10%-50VDC-MON-T&R
2	22R50	22MF-20%-50VDC-EL-T&A
1	.01CD	.01MF-20%-1000VDC-CD-T&A
2	100R35	100MF-20%-35VDC-EL-T&A

1	220R50	220R50	70320187	220MF-20%-50VDC-EL-T&A
3	22R50	22R50	70320181	22MF-20%-50VDC-EL-T&A
1	.1P10	.1P10	70340101	.1MF-10%-50VDC-MON-T&R
5	1N4148	4148	70464148	1N4148 75V 10MA SILICON DIODE
1	1N4003	1N4003	70464003	1N4003 200V SILICON DIODE
2	1N4148	4148	70464148	1N4148 75V 10MA SILICON DIODE
1	1N4003	1N4003	70464003	1N4003 200V SILICON DIODE
1	1N4148	4148	70464148	1N4148 75V 10MA SILICON DIODE
1	RALEDKSL	RALEDKSL	70450053	LED, T-1, RED, W/STOPPER LEAD T&A
4	1N4003	1N4003	70464003	1N4003 200V SILICON DIODE
1	1N4148	4148	70464148	1N4148 75V 10MA SILICON DIODE
1	3AFBCB	3AFBCB	70901182	3A FUSE T&R
1	RAMN6322	71466322	71466322	JACK MONO R/A 1/4" 6.5MM NINS
1	RASN6323	71466323	71466323	JACK STEREO R/A 1/4" 6.5MM NINS
1	RASL6223	71466223	71466223	Jack stereo r/a 1/4" 6.5mm
6	SPX1U	SPX1U	73717003	1 STAKE PIN
1	WJ8YL6SP	WJ8YL6SP	91015068	J15, J16, J17, J18, J19, J20
1	WJ8BL6SP	WJ8BL6SP	91014069	YL-18G-6"-CPT-205SPD
8	1740	1740	70401740	b1-18G-6"-CPT-205SPD
1	2.2M	2.2M	70240040	J21
1	680K	680K	70240065	J22
1	33K	33K	70240030	2SCI740SLN 40V, .1A, NPN, LOW NOISE T&A
1	150KP1	150KP1	70241035	Q1, Q2, Q3, Q4, Q5, Q6, Q7, Q8
1	1M	1M	70240039	2.2M-1/4W-5%-CF-T&R
1	470K	470K	70240038	R1
1	1M	1M	70240039	680K-1/4W-5%-CF-T&R
1	150KP1	150KP1	70241035	R2
1	150K	150K	70240035	R3
1	2.7K	2.7K	70240021	R4
1	47K	47K	70240031	R5
1	1M	1M	70240039	R6
2	470K	470K	70240038	R7
1	150K	150K	70240035	R8
1	2.7K	2.7K	70240021	R9
1	47K	47K	70240031	R10
1	1M	1M	70240039	R11
2	470K	470K	70240038	R12
1	150K	150K	70240035	R13, R14
1	1.5K	1.5K	70240018	R15
1	470K	470K	70240038	R16
1	22K	22K	70240029	R17
1	68K	68K	70240032	R18
1	100K	100K	70240034	R19
1	100K	100K	70240034	R20

8.2K	70240049	8.2K-1/4W-5%-CF-T&R	R21	8.2K-1/4W-5%-CF-T&R	2	PRASW	71322289	DPDT P/P CB MNT SWITCH
1	47K	70240031	47K-1/4W-5%-CF-T&R	R22	1	TDA2040	70402040	SI, S2 TDA-2040 PWR-OP-AMP HOR.MNT
1	470K	70240038	470K-1/4W-5%-CF-T&R	R23	1	4560	70414560	U1 4560 DUAL OP AMP IC
1	47FP	70240090	47FP-1/4W-5%-FP-T&R	R24	2	POT803	71190803	U2 1M 5% 122 VPC RTRRY D-SHAFT
1	470K	70240038	470K-1/4W-5%-CF-T&R	R25	1	POT800	71190800	VR1, VR2 10KB 12MM VPC ROTARY D-SHAFT
1	1.5K	70240018	1.5K-1/4W-5%-CF-T&R	R26	1	POT802	71190802	VR3 50KA 12MM VPC ROTARY D-SHAFT
1	470K	70240038	470K-1/4W-5%-CF-T&R	R27	1	POT800	71190800	VR4 10KB 12MM VPC ROTARY D-SHAFT
1	1.5K	70240018	1.5K-1/4W-5%-CF-T&R	R28	1	POT801	71190801	VR5 50KB 12MM VPC ROTARY D-SHAFT
1	10K	70240025	10K-1/4W-5%-CF-T&R	R29	1	POT800	71190800	VR6 10KB 12MM VPC ROTARY D-SHAFT
1	3.3K	70240022	3.3K-1/4W-5%-CF-T&R	R30	1	POT800	71190800	VR7 10KB 12MM VPC ROTARY D-SHAFT
1	2.7K	70240021	2.7K-1/4W-5%-CF-T&R	R31				
1	3.3K	70240022	3.3K-1/4W-5%-CF-T&R	R32				
1	4.7K	70240023	4.7K-1/4W-5%-CF-T&R	R33				
1	10K	70240025	10K-1/4W-5%-CF-T&R	R34				
2	100K	70240034	100K-1/4W-5%-CF-T&R	R35, R36				
1	1K	70240017	1K-1/4W-5%-CF-T&R	R37				
1	15K	70240027	15K-1/4W-5%-CF-T&R	R38				
1	1M	70240039	1M-1/4W-5%-CF-T&R	R39				
1	68K	70240032	68K-1/4W-5%-CF-T&R	R40				
1	100K	70240034	100K-1/4W-5%-CF-T&R	R41				
1	1K	70240017	1K-1/4W-5%-CF-T&R	R42				
1	47K	70240031	47K-1/4W-5%-CF-T&R	R43				
1	4.7	70240002	4.7-1/4W-5%-CF-T&R	R46				
1	100W1	70210003	100-1W-5%-MO-T&R	R47				
1	68K	70240032	68K-1/4W-5%-CF-T&R	R48				
1	1.5K	70240018	1.5K-1/4W-5%-CF-T&R	R49				
1	15	70240005	15-1/4W-5%-CF-T&R	R50				
2	100K	70240034	100K-1/4W-5%-CF-T&R	R51, R52				
1	2.4K	70240062	2.4K-1/4W-5%-CF-T&R	R53				
1	330	70240014	330-1/4W-5%-CF-T&R	R54				
1	.1W2	70241099	.1-2W-10%-MW-T&R	R55				
1	3.3K	70240022	3.3K-1/4W-5%-CF-T&R	R56				
1	82K	70240033	82K-1/4W-5%-CF-T&R	R57				
1	100K	70240034	100K-1/4W-5%-CF-T&R	R58				
1	220	70240058	220-1/4W-5%-CF-T&R	R59				
1	2.2K	70240020	2.2K-1/4W-5%-CF-T&R	R60				
1	22K	70240029	22K-1/4W-5%-CF-T&R	R61				
2	1.5K	70240018	1.5K-1/4W-5%-CF-T&R	R62, R63				
