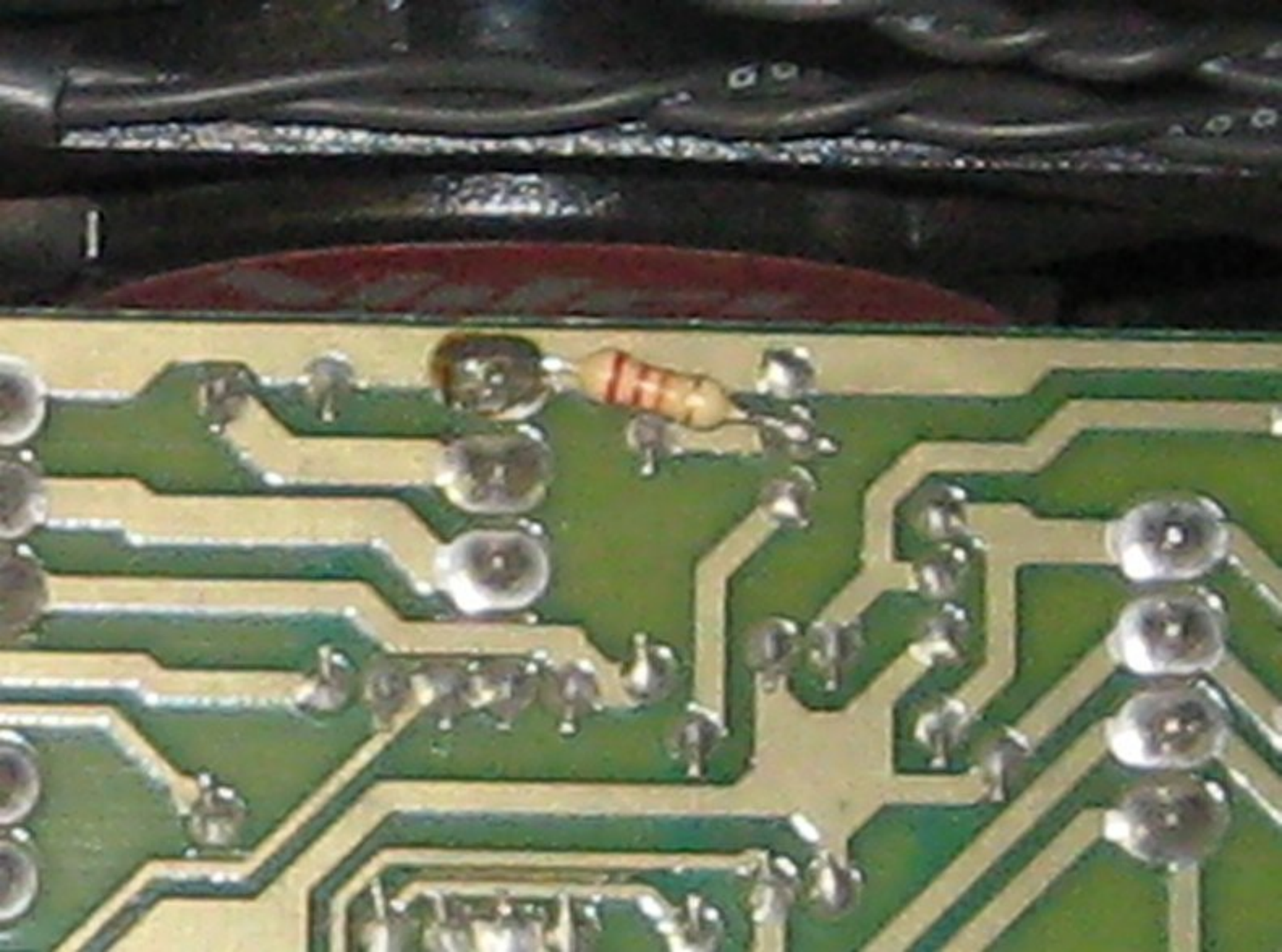
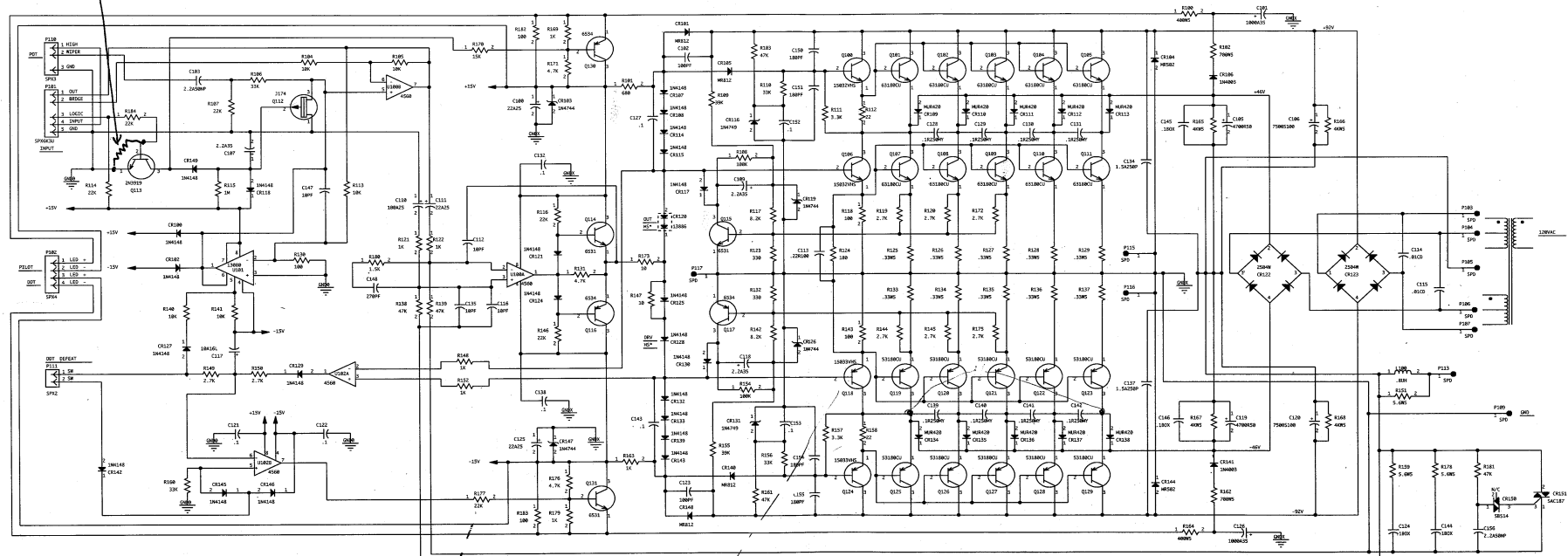


SOLDER SIDE



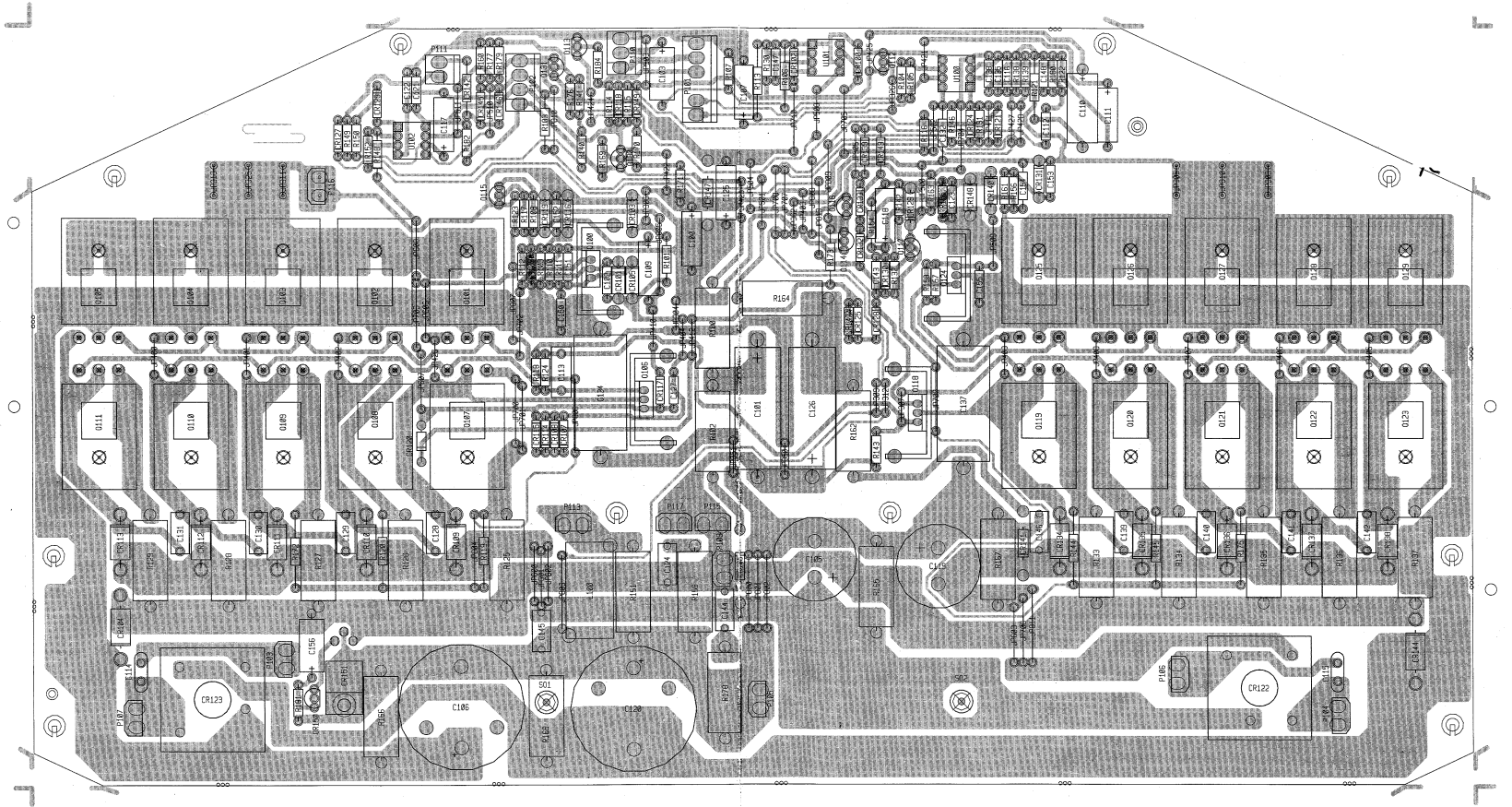
TACK SOLARR 22K
ON CHAN A
ONLY



NOTICE: THIS CIRCUITRY IS
PROTECTED BY U.S. PATENT NOS.
4,132,462 AND 4,131,333 & 4,124,294
AND 4,092,751. FOREIGN #S
APPLICABLE. SEE THE CIRCUIT
DRAWING 0,172,737 150,213
2,000,075 170,212 05201
0,136,333 P. 600 11 500-4-86
(CIRCUITRY PROTECTED) UNDER U.S.
PATENT ELECTRONICS CORP. USE
OR REPRODUCTION WITHOUT EXPRESS
WRITTEN AUTHORITY FROM PEAVEY
IS STRICTLY PROHIBITED AND
VIOLATORS WILL BE PROSECUTED
TO THE FULLEST EXTENT ALLOWED
UNDER U.S. PATENT LAWS.

- R247 - 55 to 50
- R248 - 1K to 500
- C130 - 20µF to 100µF
- R11 & R112 - 1.5K to 1K
- C149 - 10 PF deleted
- R179 - 22 ohm to 10 ohm
- R114 - 47K to 22K
- R124 deleted - 22K

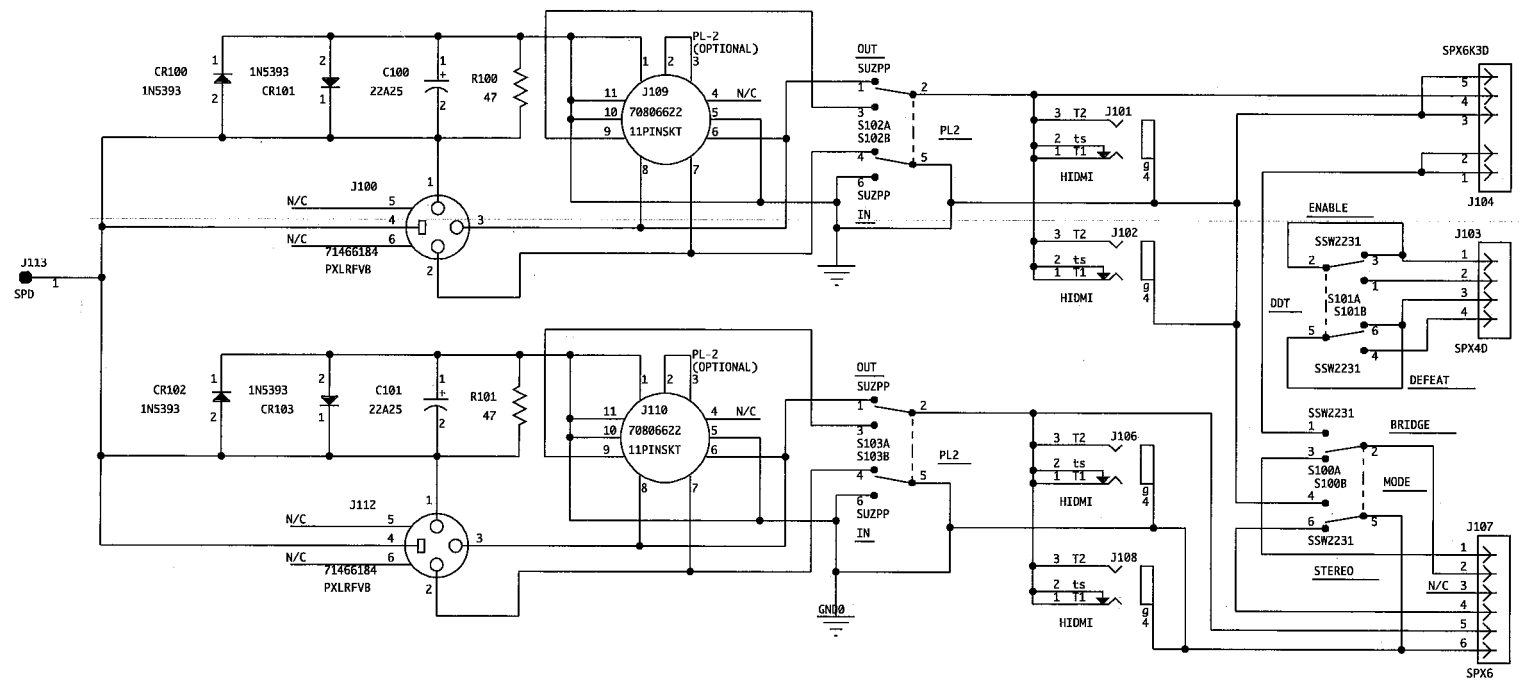
PEAVEY ELECTRONICS CORP.			
P.O. BOX 1000			
MILLSBORO, DELAWARE 19966			
TITLE: 1500 POWER AMPLIFIER			
DATE	CODE	NUMBER	REV.
D		81502395	C
DESIGN	DATE	DRAWN	CHECKED
10-01-76			1 OF 1



CS1800G OUTPUT

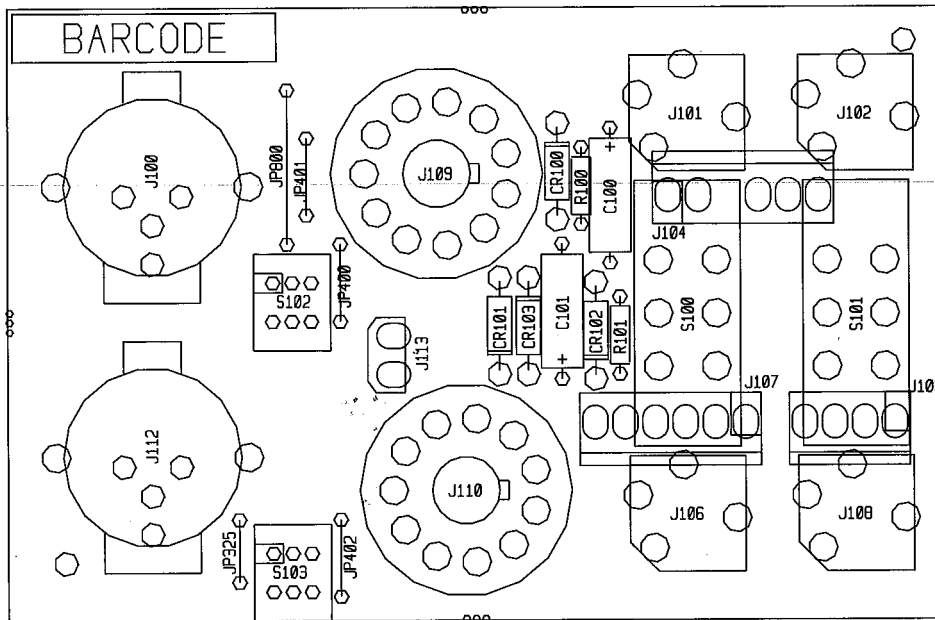
QTY.	PART NAME	VALUE	OUTPUT PART NUMBER	DESCRIPTION AND DEVICE DESIGNATIONS	2	IN4148	4148	70464148	IN4148 75V 10MA SILICON DIODE CR107, CR108	1	6531	6531	70466531	MPS-6531 TO92 NPN TRANS. T&A Q131	1	1K	1K	70240017	1K-1/4W-5%—CF-T&R R163	
**	QTY.	PART NAME	VALUE	OUTPUT PART NUMBER	DESCRIPTION AND DEVICE DESIGNATIONS	5	MUR420	MUR420	70420420	MUR-420 FAST RECOVERY DIODE CR109, CR110, CR111, CR112, CR113	1	400W5	400W5	70250062	400-5W-10%—WM-AXL R100	1	400W5	400W5	70250062	400-5W-10%—WM-AXL R164
1	22A25	22A25	70320012	22MFD +/-20% 25VDC EL AXL C100	2	IN4148	4148	70464148	IN4148 75V 10MA SILICON DIODE CR114, CR115	1	680	680	70240016	680-1/4W-5%—CF-T&R R101	4	4KW5	4KW5	70250050	4K-5W-10%—WM-AXL R165, R166, R167, R168	
1	1000A35	1000A35	70320038	1000 MFD 35VDC LYTIC CAP C101	1	IN4749	4749	70466164	IN4749ARL 24.5V 5% ZD T&R CR116	1	700W5	700W5	70250061	700-5W-10%—WM-AXL R102	1	1K	1K	70240017	1K-1/4W-5%—CF-T&R R169	
1	100PF	100PF	70340054	100PF-10%—50VDC-T/C-T&R C102	2	IN4148	4148	70464148	IN4148 75V 10MA SILICON DIODE CR117, CR118	1	47K	47K	70240031	47K-1/4W-5%—CF-T&R R103	1	15K	15K	70240027	15K-1/4W-5%—CF-T&R R170	
1	2.2A50NP	2.2A50NP	70320010	2.2MFD 20% 50V NP EL T&R C103	1	IN4744	4744	70440102	SZG40102 15V 5% ZENER DIODE CR119	2	10K	10K	70240025	10K-1/4W-5%—CF-T&R R104, R105	1	4.7K	4.7K	70240023	4.7K-1/4W-5%—CF-T&R R171	
1	4700R50	4700R50	70320260	4700MF-20%—50VDC-EL-T/s C105	1	13886	13886	70413886	SZ-13886-2 DUAL DIODE CR120	1	33K	33K	70240030	33K-1/4W-5%—CF-T&R R106	1	2.7K	2.7K	70240021	2.7K-1/4W-5%—CF-T&R R172	
1	7500S100	7500S100	70320263	7500MF 100V RADIAL 35MMX63MM C106	1	IN4148	4148	70464148	IN4148 75V 10MA SILICON DIODE CR121	1	22K	22K	70240029	22K-1/4W-5%—CF-T&R R107	1	10	10	70240003	10-1/4W-5%—CF-T&R R173	
2	2.2A35	2.2A35	70320200	2.2MFD 35VDC LY.CAP T&R C107, C109	2	2504W	2504W	70402504	BR. RECT. 400V, 25A, WIRE LEADS CR122, CR123	1	100K	100K	70240034	100K-1/4W-5%—CF-T&R R108	1	2.7K	2.7K	70240021	2.7K-1/4W-5%—CF-T&R R174	
1	100A25	100A25	70320014	100 MFD 25VDC LYTIC CAP C110	2	IN4148	4148	70464148	IN4148 75V 10MA SILICON DIODE CR124, CR125	1	39K	39K	70240048	39K-1/4W-5%—CF-T&R R109	1	4.7K	4.7K	70240023	4.7K-1/4W-5%—CF-T&R R176	
1	22A25	22A25	70320012	22MFD +/-20% 25VDC EL AXL C111	1	IN4744	4744	70440102	SZG40102 15V 5% ZENER DIODE CR126	1	33K	33K	70240030	33K-1/4W-5%—CF-T&R R110	1	22K	22K	70240029	22K-1/4W-5%—CF-T&R R177	
1	10PF	10PF	70340050	10PF-5%—T/C-T&R C112	4	IN4148	4148	70464148	IN4148 75V 10MA SILICON DIODE CR127, CR128, CR129, CR130	1	3.3K	3.3K	70240022	3.3K-1/4W-5%—CF-T&R R111	1	5.6W5	5.6W5	70250026	5.6-5W-10%—WM-AXL R178	
1	.22R100	.22R100	70330007	.22MFD 100VDC 5% MYLAR C113	1	IN4749	4749	70466164	IN4749ARL 24.5V 5% ZD T&R CR131	1	22	22	70240007	22-1/4W-5%—CF-T&R R112	1	1K	1K	70240017	1K-1/4W-5%—CF-T&R R179	
2	.01CD	.01CD	70320248	.01MFD-20%—1000VDC-CD-T&A C114, C115	2	IN4148	4148	70464148	IN4148 75V 10MA SILICON DIODE CR132, CR133	1	10K	10K	70240025	10K-1/4W-5%—CF-T&R R113	1	1.5K	1.5K	70240018	1.5K-1/4W-5%—CF-T&R R180	
1	10PF	10PF	70340050	10PF-5%—T/C-T&R C116	5	MUR420	MUR420	70420420	MUR-420 FAST RECOVERY DIODE CR134, CR135, CR136, CR137, CR138	1	22K	22K	70240029	22K-1/4W-5%—CF-T&R R114	1	47K	47K	70240031	47K-1/4W-5%—CF-T&R R181	
1	10A16L	10A16L	70320198	10MFD 16V LOW LEAKAGE T&R C117	1	IN4148	4148	70464148	IN4148 75V 10MA SILICON DIODE CR139	1	1M	1M	70240039	1M-1/4W-5%—CF-T&R R115	2	100	100	70240010	100-1/4W-5%—CF-T&R R182, R183	
1	2.2A35	2.2A35	70320200	2.2MFD 35VDC LY.CAP T&R C118	1	MR812	MR812	70404933	MR812 FAST RECOVERY DIODE CR140	1	22K	22K	70240029	22K-1/4W-5%—CF-T&R R116	1	22K	22K	70240029	22K-1/4W-5%—CF-T&R R184	
1	4700R50	4700R50	70320260	4700MF-20%—50VDC-EL-T/s C119	1	IN4003	IN4003	70464003	IN4003 200V SILICON DIODE CR141	1	8.2K	8.2K	70240049	8.2K-1/4W-5%—CF-T&R R117	2	125S0W	70900788	70900788	SPACER, 1/8", R(4), .187 SWAGE ALUM 5660 DUAL OP AMP IC U100	
1	7500S100	7500S100	70320263	7500MF 100V RADIAL 35MMX63MM C120	2	IN4148	4148	70464148	IN4148 75V 10MA SILICON DIODE CR142, CR143	1	100	100	70240010	100-1/4W-5%—CF-T&R R118	1	4560	4560	70414560	4560 DUAL OP AMP IC U100	
2	.1	.1	703400100	.1MFD-80-20%—50VDC-AXL-T&R C121, C122	1	MR502	MR502	70400502	MR502/INS402 200V, 3A SILICON DIODE CR144	2	2.7K	2.7K	70240021	2.7K-1/4W-5%—CF-T&R R119, R120	1	13080	13080	70413080	LM3080N CUSTOM SELECTED U101	
1	100PF	100PF	70340054	100PF-10%—50VDC-T/C-T&R C123	2	IN4148	4148	70464148	IN4148 75V 10MA SILICON DIODE CR145, CR146	2	1K	1K	70240017	1K-1/4W-5%—CF-T&R R121, R122	1	4560	4560	70414560	4560 DUAL OP AMP IC U102	
1	.1BOX	.1BOX	70320086	.1 MFD 100VDC 10% BOX CAP C124	1	MR812	MR812	70404933	MR812 FAST RECOVERY DIODE CR147	1	180	180	70240012	180-1/4W-5%—CF-T&R R124						
1	22A25	22A25	70320012	22MFD +/-20% 25VDC EL AXL C125	1	IN4148	4148	70464148	IN4148 75V 10MA SILICON DIODE CR149	5	.33W5	.33W5	70250003	.33-5W-10%—WM-AXL R125, R126, R127, R128, R129						
1	1000A35	1000A35	70320038	1000 MFD 35VDC LYTIC CAP C126	1	SBS14	SBS14	70460014	SBS14 8V TO-92 BI-DIRECTIONAL SWITCH T&A CR150	1	100	100	70240010	100-1/4W-5%—CF-T&R R130						
1	.1	.1	703400100	.1MFD-80-20%—50VDC-AXL-T&R C127	1	SAC187	SAC187	70400187	SAC187 200V TO220 TRIAC CR151	1	4.7K	4.7K	70240023	4.7K-1/4W-5%—CF-T&R R131						
4	.1R250MY	.1R250MY	70320096	.1 MFD 250VDC MYLAR CA/BR C128, C129, C130, C131	1	.8UH	.8UH	70519917	.8UH AIR CORE COIL / CS1200 L100	1	330	330	70240014	330-1/4W-5%—CF-T&R R132						
1	.1	.1	703400100	.1MFD-80-20%—50VDC-AXL-T&R C132	1	SPX6K3U	SPX6K3U	XXXXXXX	X EACH OF STAKE PINS P101	5	.33W5	.33W5	70250003	.33-5W-10%—WM-AXL R133, R134, R135, R136, R137						
1	1.5A250P	1.5A250P	70320175	1.5MF 10% 250VDC PP AXL C134	4	SPX4	SPX4	XXXXXXX	4 EACH OF STAKE PINS P102	2	47K	47K	70240031	47K-1/4W-5%—CF-T&R R138, R139						
1	10PF	10PF	70340050	10PF-5%—T/C-T&R C135	6	SPD	73716194	73716194	.250 PC MNT SPADE .093 PCB P103, P104, P105, P106, P107, P109	2	10K	10K	70240025	10K-1/4W-5%—CF-T&R R140, R141						
1	1.5A250P	1.5A250P	70320175	1.5MF 10% 250VDC PP AXL C137	1	SPX3	SPX3	XXXXSPX3	3 EACH OF STAKE PINS P110	1	8.2K	8.2K	70240049	8.2K-1/4W-5%—CF-T&R R142						
1	.1	.1	703400100	.1MFD-80-20%—50VDC-AXL-T&R C138	4	SPX2	SPX2	XXXXXXX	2 EACH OF STAKE PINS P111	1	100	100	70240010	100-1/4W-5%—CF-T&R R143						
4	.1R250MY	.1R250MY	70320096	.1 MFD 250VDC MYLAR CA/BR C139, C140, C141, C142	1	SPD	73716194	73716194	.250 PC MNT SPADE .093 PCB P113, P115, P116, P117	2	2.7K	2.7K	70240021	2.7K-1/4W-5%—CF-T&R R144, R145						
1	.1	.1	703400100	.1MFD-80-20%—50VDC-AXL-T&R C143	1	15032VHS	15032VHS	70415032	MJE-15032 NPN HI-VLTG TO-220 DRIVER W/7090629H Q180	1	22K	22K	70240029	22K-1/4W-5%—CF-T&R R146						
3	.1BOX	.1BOX	70320086	.1 MFD 100VDC 10% BOX CAP C144, C145, C146	5	63180CU	63180CU	70463180	SJ-63180 NPN PLASTIC POWER TRANSISTOR Q101, Q102	1	10	10	70240003	10-1/4W-5%—CF-T&R R147						
1	10PF	10PF	70340050	10PF-5%—T/C-T&R C147	1	15032VHS	15032VHS	70415032	MJE-15032 NPN HI-VLTG TO-220 DRIVER W/7090629H Q106	1	1K	1K	70240017	1K-1/4W-5%—CF-T&R R148						
1	270PF	270PF	70340057	270PF-10%—50VDC-T/C-T&R C148	1	15032VHS	15032VHS	70415032	MJE-15032 NPN HI-VLTG TO-220 DRIVER W/7090629H Q106	2	2.7K	2.7K	70240021	2.7K-1/4W-5%—CF-T&R R149, R150						
2	180PF	180PF	70340056	180PF-10%—50VDC-T/C-T&R C150, C151	5	63180CU	63180CU	70463180	SJ-63180 NPN PLASTIC POWER TRANSISTOR Q107, Q108, Q109, Q110, Q111	1	5.6W5	5.6W5	70250026	5.6-5W-10%—WM-AXL R151						
2	.1	.1	703400100	.1MFD-80-20%—50VDC-AXL-T&R C152, C153	1	J174	J174	70460174	J-174 30V TO-92 P-CHAN FET T&A Q112	1	1K	1K	70240017	1K-1/4W-5%—CF-T&R R152						
2	180PF	180PF	70340056	180PF-10%—50VDC-T/C-T&R C154, C155	1	2N3919	3919	70463919	2N3919 TO92 NPN TRANS T&A Q113	1	100K	100K	70240034	100K-1/4W-5%—CF-T&R R154						
1	2.2A50NP	2.2A50NP	70320010	2.2MFD 20% 50V NP EL T&R C156	2	6531	6531	70466531	MPS-6531 TO92 NPN TRANS. T&A Q114, Q115	1	39K	39K	70240048	39K-1/4W-5%—CF-T&R R155						
1	IN4148	4148	70464148	IN4148 75V 10MA SILICON DIODE CR100	2	6534	6534	70466533	MPS-6533/34 TO-92 PNP TRANS T&A Q116, Q117	1	33K	33K	70240030	33K-1/4W-5%—CF-T&R R156						
1	MR812	MR812	70404933	MR812 FAST RECOVERY DIODE CR101	1	15033VHS	15033VHS	70415033	MJE-15033 PNP HI-VLTG TO-220 DRIVER W/7090629H Q118	1	3.3K	3.3K	70240022	3.3K-1/4W-5%—CF-T&R R157						
1	IN4148	4148	70464148	IN4148 75V 10MA SILICON DIODE CR102	5	53180CU	53180CU	70453180	SJ-53180 PNP PLASTIC POWER TRANSISTOR Q119, Q120, Q121, Q122, Q123	1	22	22	70240007	22-1/4W-5%—CF-T&R R158						
1	IN4744	4744	70440102	SZG40102 15V 5% ZENER DIODE CR103	1	15033VHS	15033VHS	70415033	MJE-15033 PNP HI-VLTG TO-220 DRIVER W/7090629H Q124	1	5.6W5	5.6W5	70250026	5.6-5W-10%—WM-AXL R159						
1	MR502	MR502	70400502	MR502/INS402 200V, 3A SILICON DIODE CR104	1	53180CU	53180CU	70453180	SJ-53180 PNP PLASTIC POWER TRANSISTOR Q125, Q126, Q127, Q128, Q129	1	33K	33K	70240030	33K-1/4W-5%—CF-T&R R160						
1	MR812	MR812	70404933	MR812 FAST RECOVERY DIODE CR105	5	53180CU	53180CU	70453180	SJ-53180 PNP PLASTIC POWER TRANSISTOR Q130	1	47K	47K	702							

LAST REF USED: C101 CR103 J113 R101 S103



NOTICE: THIS CIRCUITRY IS PROTECTED BY U.S. PATENT NO. 5,387,876 (FOREIGN PATENT NOS. PENDING) OWNED BY PEAVEY ELECTRONICS CORP. USE OR COPYING WITHOUT EXPRESS WRITTEN AUTHORITY FROM PEAVEY IS STRICTLY FORBIDDEN AND VIOLATORS WILL BE PROSECUTED TO THE FULLEST EXTENT ALLOWED UNDER U.S. PATENT LAWS.

PEAVEY ELECTRONICS CORP. 711 A STREET MERIDIAN, MISSISSIPPI 39301			
TITLE VX 1.5K INPUT BOARD			
SIZE B PRINT	CODE	NUMBER 99351710 #81502395	REV A
DATE 14-JUN-95	SHEET 1 OF 1		



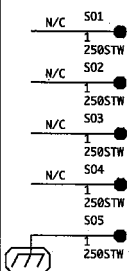
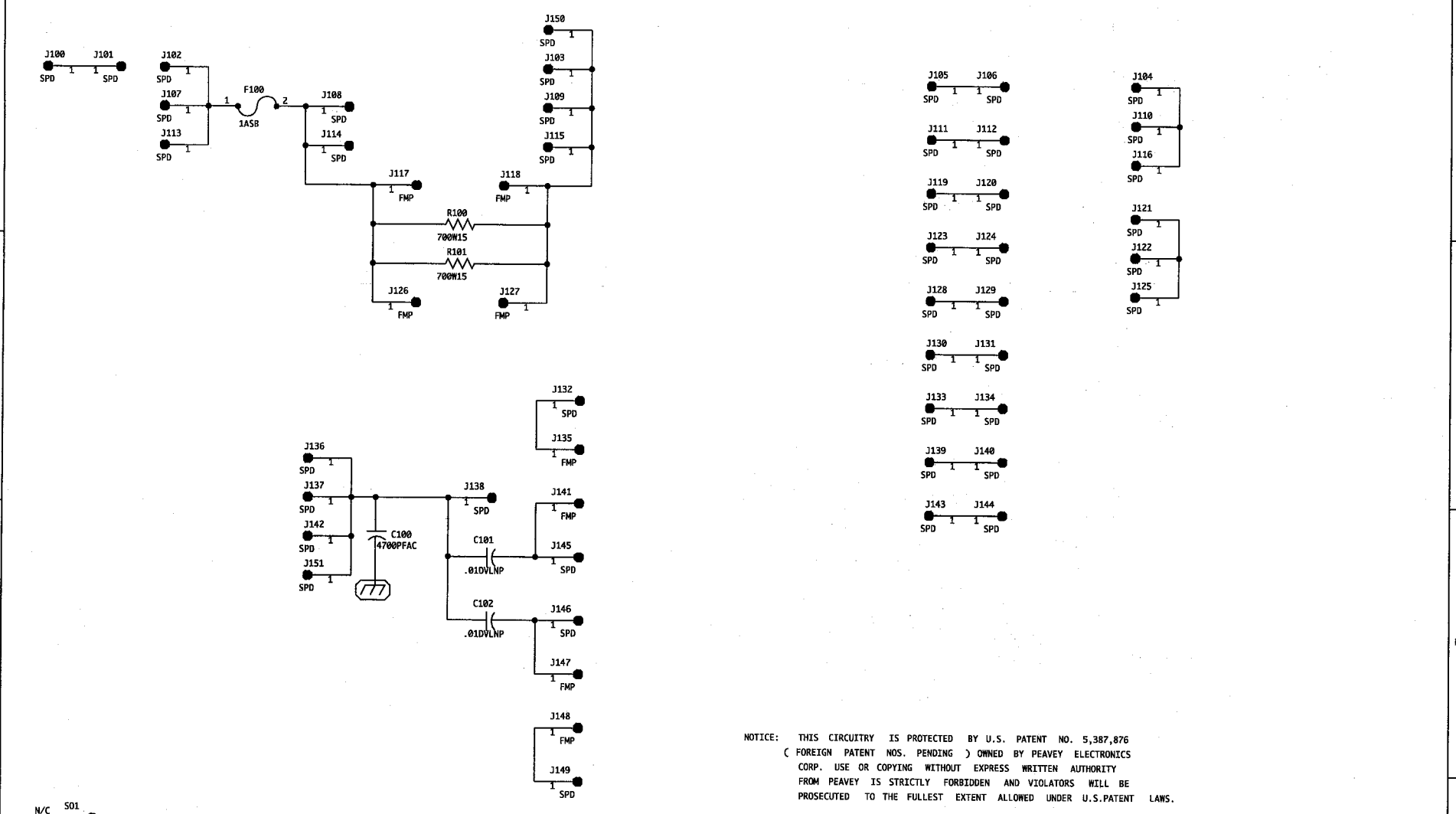
VX1.5K Input

BOARD NAME: VX1.5K INPUT
 ASSEMBLY LEVEL NUMBER: 99351710

PART	QTY.	NAME	VALUE	PART NUMBER	DESCRIPTION AND DEVICE DESIGNATIONS

2	22A25	22A25	70320012	22MFD +/-20% 25VDC EL AXL	C100, C101
4	1N5393	5393	70465393	1N5393-RL 200V, 1.5, 5% DIODE -T&R	CR100, CR101, CR102, CR103
1	PXLRFB	71466184	71466184	XLB CONN VERT FEMALE W/BRKT	J100
2	HIDMI	71466215	71466215	2 TIP HID JACK INSU W/SPD	J101, J102
1	SPX4D	SPX4D	XXXXXXXX	4 EACH OF STAKE PINS	J103
1	SPX6K3D	SPX6K3D	XXXXXXXX	5 EACH OF STAKE PINS	J104
1	HIDMI	71466215	71466215	2 TIP HID JACK INSU W/SPD	J106
1	SPX6	SPX6	XXXXXXXX	6 EACH OF STAKE PINS	J107
1	HIDMI	71466215	71466215	2 TIP HID JACK INSU W/SPD	J108
2	11PINSKT	11PINSKT	70806622	11 PIN PCMNT TUBE SOCKET .750	J109, J110
1	PXLRFB	71466184	71466184	XLB CONN VERT FEMALE W/BRKT	J112
1	SPD	73716194	73716194	.250 PC MNT SPADE .093 PCB	J113
2	47	47	70240008	47-1/4W-5% -CF-T&R	R100, R101
2	SSW2231	SSW2231	71322231	DPDT SLIDE SW LQ LEAD	S100, S101
2	SUZPP	SUZPP	71322251	SUZ P/P SWITCH PC MOUNT	S102, S103

LAST REF USED: C102 F100 J151 R101 S05



COPYRIGHT 1995 PEAVEY ELECTRONICS CORP. PRINTED IN U.S.A.

NOTICE: THIS CIRCUITRY IS PROTECTED BY U.S. PATENT NO. 5,387,876 (FOREIGN PATENT NOS. PENDING) OWNED BY PEAVEY ELECTRONICS CORP. USE OR COPYING WITHOUT EXPRESS WRITTEN AUTHORITY FROM PEAVEY IS STRICTLY FORBIDDEN AND VIOLATORS WILL BE PROSECUTED TO THE FULLEST EXTENT ALLOWED UNDER U.S. PATENT LAWS.

NOTE: THIS IS A BASE SCHEMATIC FOR TWO ASSEMBLIES OF BARE BOARD # 98851691. SEE BOARD LAYOUTS FOR ASSEMBLY DIFFERENCES.

PEAVEY ELECTRONICS CORP.			
711 A STREET			
MERIDIAN, MISSISSIPPI 39301			
TITLE			
VX 1.5K POWER			
SIZE	CODE	NUMBER	REV
B		99351690-91	A
PRINT		#81502395	
DATE	14-JUN-95	SHEET	1 OF 1

NOTES

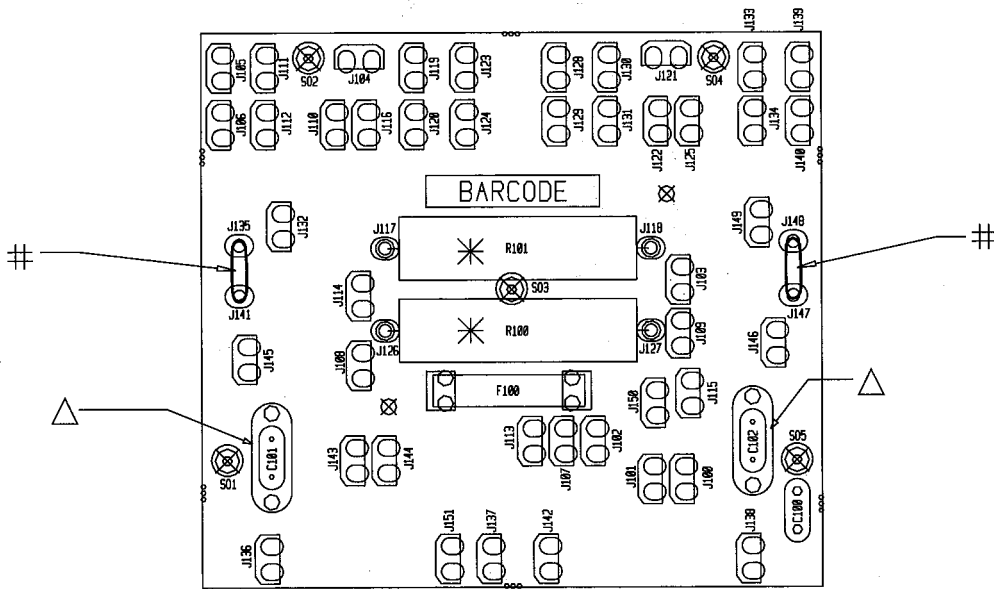
* Hand-solder specified resistors into molex pins.
 For Domestic version use 700W15 P/N 70250037 for R100 & R101.
 For Export version use 1.5KW15 P/N 70250068 for R101.
 Do NOT insert R100 on Export version.

Hand-solder Surge Limiters into molex pins as specified.
 For Domestic version use 7.9A SURGISTOR P/N 70250113.
 For Export version use 4.4A SURGISTOR P/N 70250122.

△ For Export version use 4700PFAC P/N 70320114 for C101 & C102
 Do not insert C100 on Export version.

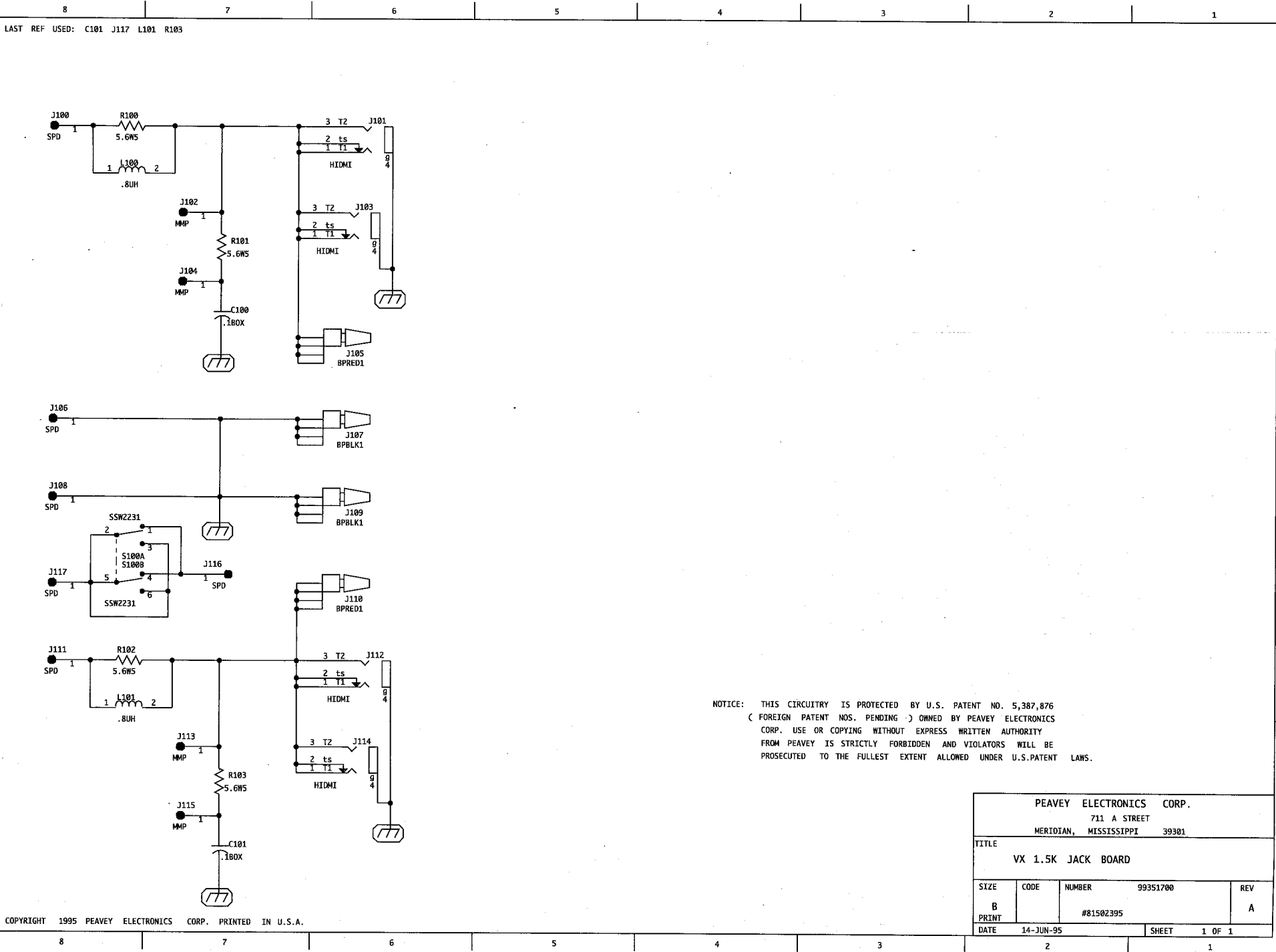
BOARD NAME: VX1.5K 100V
 ASSEMBLY LEVEL NUMBER: 99351690

PART	PART	DESCRIPTION AND
* QTY.	NAME	VALUE NUMBER DEVICE DESIGNATIONS *****
1	4700PFAC	4700PFAC 70320114 4700PF 400VAC EXP LINE CAP X C100
2	.01DVLNP	.01DVLNP 70320104 .01 MFD 125VDC DVL MYLAR +0-20% C101, C102
1	1ASB	1ASB 70900379 1 AMP S/B FUSE WITH 2 FUSECLIPS #70900816 F100
17	SPD	73716194 73716194 .250 PC MNT SPADE .093 PCB J100, J101, J102, J103, J104, J105, J106, J107, J108, J109, J110, J111, J112, J113, J114, J115, J116
2	FMP	FMP 73711811 M118-171 C.B. FEMALE MOLEX PIN J117, J118
7	SPD	73716194 73716194 .250 PC MNT SPADE .093 PCB J119, J120, J121, J122, J123, J124, J125
2	FMP	FMP 73711811 M118-171 C.B. FEMALE MOLEX PIN J126, J127
7	SPD	73716194 73716194 .250 PC MNT SPADE .093 PCB J128, J129, J130, J131, J132, J133, J134
1	FMP	FMP 73711811 M118-171 C.B. FEMALE MOLEX PIN J135
5	SPD	73716194 73716194 .250 PC MNT SPADE .093 PCB J136, J137, J138, J139, J140
1	FMP	FMP 73711811 M118-171 C.B. FEMALE MOLEX PIN J141
5	SPD	73716194 73716194 .250 PC MNT SPADE .093 PCB J142, J143, J144, J145, J146
2	FMP	FMP 73711811 M118-171 C.B. FEMALE MOLEX PIN J147, J148
3	SPD	73716194 73716194 .250 PC MNT SPADE .093 PCB J149, J150, J151
2	700W15	700W15 70250037 700-15W-10%-WW-AXL R100, R101
5	250STW	70901856 70901856 SPCR, 1/4,R(#4),.187 SW,AL SOL1, SO2, SO3, SO4, SO5



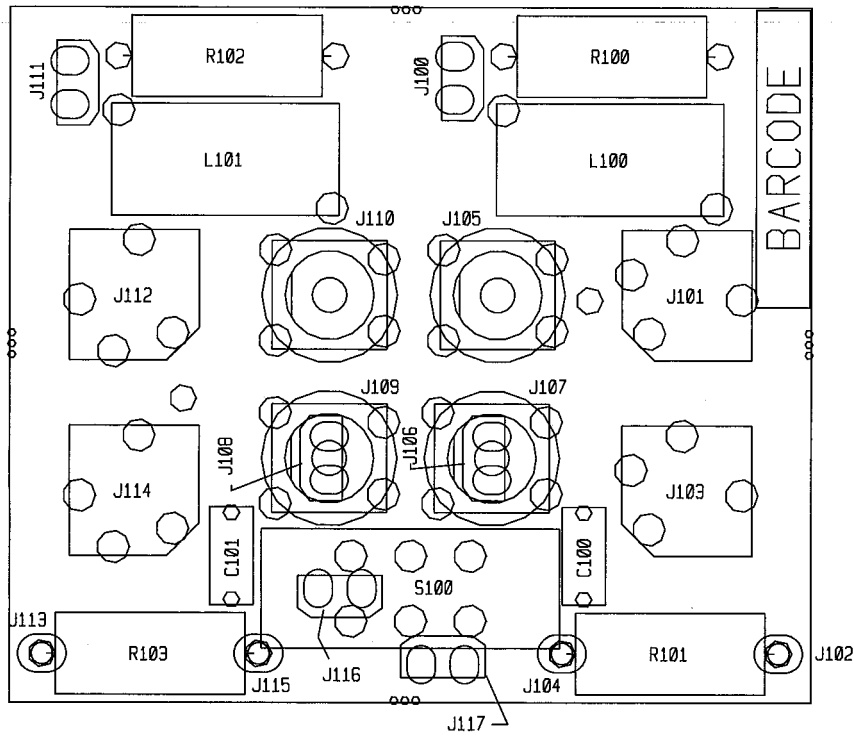
VX 1.5k POWER

ASSEMBLY NAME	ASSEMBLY NUMBER
VX 1.5K PWR-DOM	99351690
VX 1.5K PWR-EXP	99351691



NOTICE: THIS CIRCUITRY IS PROTECTED BY U.S. PATENT NO. 5,387,876
 (FOREIGN PATENT NOS. PENDING) OWNED BY PEAVEY ELECTRONICS
 CORP. USE OR COPYING WITHOUT EXPRESS WRITTEN AUTHORITY
 FROM PEAVEY IS STRICTLY FORBIDDEN AND VIOLATORS WILL BE
 PROSECUTED TO THE FULLEST EXTENT ALLOWED UNDER U.S. PATENT LAWS.

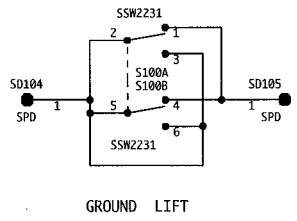
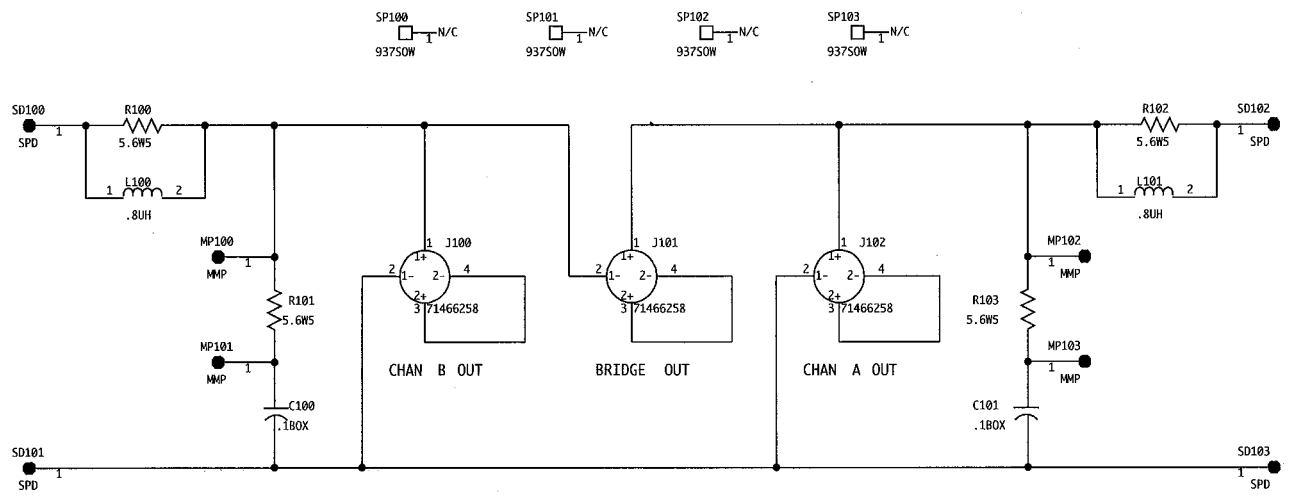
PEAVEY ELECTRONICS CORP. 711 A STREET MERIDIAN, MISSISSIPPI 39301			
TITLE VX 1.5K JACK BOARD			
SIZE	CODE	NUMBER	99351700
B PRINT		#81502395	REV A
DATE	14-JUN-95	SHEET	1 OF 1



VX1.5K Jack

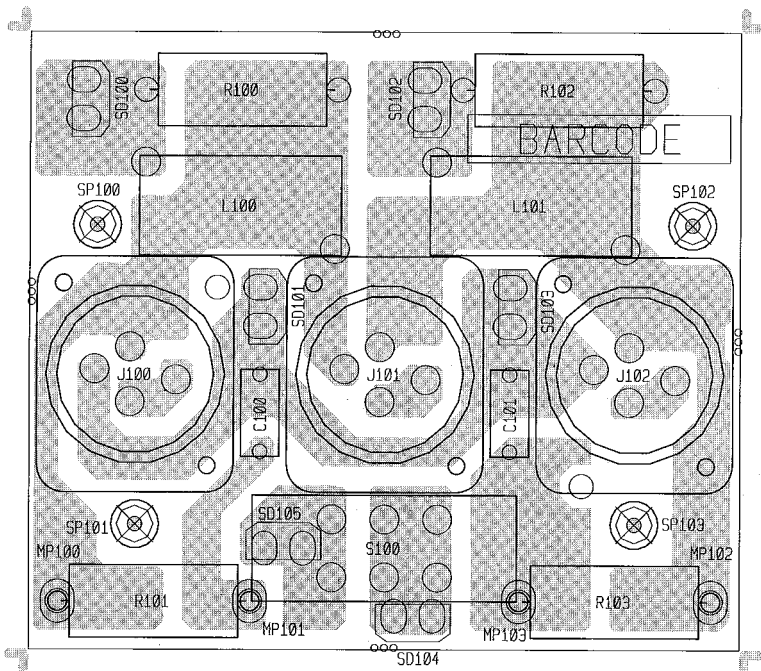
BOARD NAME: VX 1.5K JACK
 ASSEMBLY LEVEL NUMBER: 99351700

PART	VALUE	PART NUMBER	DESCRIPTION AND DEVICE DESIGNATIONS
* QTY.	NAME	NUMBER	DESCRIPTION AND DEVICE DESIGNATIONS *****
*****	*****	*****	*****
2	.1BOX	.1BOX	70320086 .1 MFD 100VDC 10% BOX CAP C100, C101
1	SPD	73716194	73716194 .250 PC MNT SPADE .093 PCB J100
1	HIDMI	71466215	71466215 2 TIP HID JACK INSU W/SPD J101
1	MMP	MMP	73711812 R93-12 PN C.B. MALE MOLEX PIN J102
1	HIDMI	71466215	71466215 2 TIP HID JACK INSU W/SPD J103
1	MMP	MMP	73711812 R93-12 PN C.B. MALE MOLEX PIN J104
1	BPRED1	71466201	71466201 BINDING POST PC RED-90 J105
1	SPD	73716194	73716194 .250 PC MNT SPADE .093 PCB J106
1	BPBLK1	71466200	71466200 BINDING POST PC BLK-90 J107
1	SPD	73716194	73716194 .250 PC MNT SPADE .093 PCB J108
1	BPBLK1	71466200	71466200 BINDING POST PC BLK-90 J109
1	BPRED1	71466201	71466201 BINDING POST PC RED-90 J110
1	SPD	73716194	73716194 .250 PC MNT SPADE .093 PCB J111
1	HIDMI	71466215	71466215 2 TIP HID JACK INSU W/SPD J112
1	MMP	MMP	73711812 R93-12 PN C.B. MALE MOLEX PIN J113
1	HIDMI	71466215	71466215 2 TIP HID JACK INSU W/SPD J114
1	MMP	MMP	73711812 R93-12 PN C.B. MALE MOLEX PIN J115
2	SPD	73716194	73716194 .250 PC MNT SPADE .093 PCB J116, J117
2	.8UH	.8UH	70519917 .8UH AIR CORE COIL / CS1200 L100, L101
4	5.6W5	5.6W5	70250026 5.6-5W-10%-WW-AXL R100, R101, R102, R103
1	SSW2231	SSW2231	71322231 DPDT SLIDE SW LQ LEAD S100



NOTICE: THIS CIRCUITRY IS PROTECTED BY U.S. PATENT NOS. 4,318,053 RE.33,333 4,724,396 AND 4,992,751. FOREIGN #'S 009656 357 78 538.1 64356 0,172,737 158,213 2,009,775 173,212 49567 0,386,933 P 690 11 550,4-08 (PATENTS PENDING) OWNED BY PEAVEY ELECTRONICS CORP. USE OR COPYING WITHOUT EXPRESS WRITTEN AUTHORITY FROM PEAVEY IS STRICTLY FORBIDDEN AND VIOLATORS WILL BE PROSECUTED TO THE FULLEST EXTENT ALLOWED UNDER U.S. PATENT LAWS.

PEAVEY ELECTRONICS CORP. 711 A STREET MERIDIAN, MISSISSIPPI 39301			
TITLE CS-1800 EURO OUTPUT BOARD			
SIZE B	CODE	NUMBER 81502395	REV A
PRINT DATE	12-NOV-96		SHEET 1 OF 1



BOARD NAME: CS1800G E/O			REPORT DATE: 2OCT96
PART	VALUE	PART	DESCRIPTION AND
** QTY.	NAME	NUMBER	DEVICE DESIGNATIONS *****
2	.1BOX	.1BOX	70320086 .1 MFD 100VDC 10% BOX CAP C100, C101
3	71466258	71466258	71466258 PCB CONN, 4 POLE SPEAKON (NEUTRIK) J100, J101, J102
2	.8UH	.8UH	70519917 .8UH AIR CORE COIL / CS1200 L100, L101
4	MMP	MMP	73711812 R93-12 PN C.B. MALE MOLEX PIN MP100, MP101, MP102, MP103
4	5.6W5	5.6W5	70250026 5.6-5W-10%-WW-AXL R100, R101, R102, R103
1	SSW2231	SSW2231	71322231 DPDT SLIDE SW LQ LEAD S100
6	SPD	73716194	73716194 .250 PC MNT SPADE .093 PCB SD100, SD101, SD102, SD103, SD104, SD105
4	937SOW	70900786	70900786 SPACER, 15/16,R(#4),.187 SWAGE ALUM. SP100, SP101, SP102, SP103

CS-1800G Euro Output