

NOTICE: THIS CIRCUITRY IS PROTECTED BY U.S. PATENT NOS. 4,218,883 RE. 33,322 & 754,336 AND 4,392,051 FOREIGN P.S. 488686 INT. 76 583.1 64558 & 132,737 158.213 2,489,775 172,212 48867 6,286,335 P. 608 11 628.4-88 (PATENTS PENDING OWNED BY PEAVEY ELECTRONICS CORP. USE OR COPYING WITHOUT EXPRESS WRITTEN PERMISSION FROM PEAVEY IS STRICTLY FORBIDDEN AND VIOLATORS WILL BE PROSECUTED TO THE FULLEST EXTENT ALLOWED UNDER U.S. PATENT LAWS.

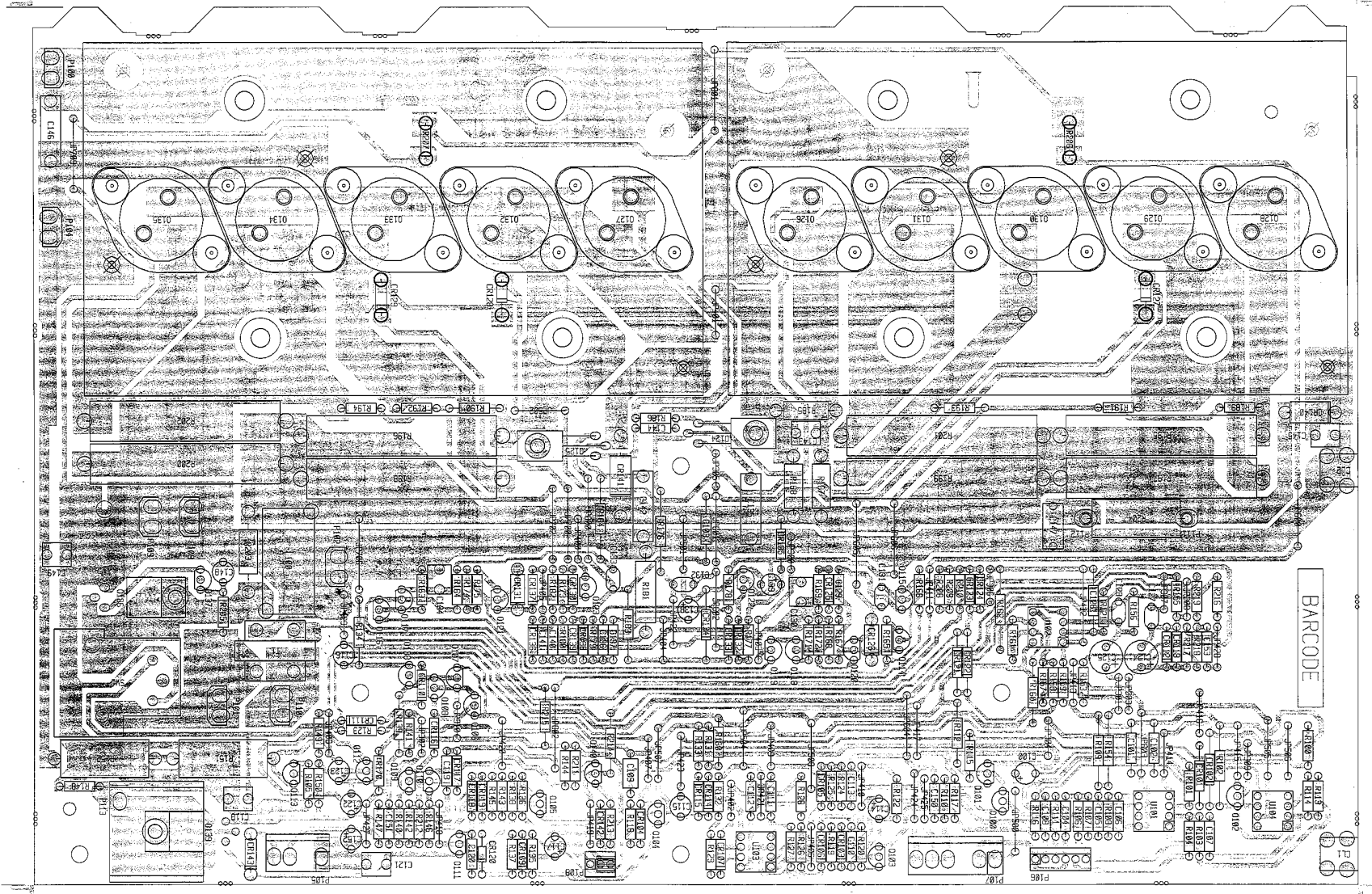
595 C3 2.25 10M POWER DOWN
 577 C3 2.27 10M POWER UP

100 OHM MINIMUM GLOB SPEED
 200 C3 2.0 10M + 50 OHM VOLT
 100 C3 2.0 10M + 20 OHM VOLT
 100 C3 2.0 10M + 20 OHM VOLT

TRACE THICKNESS CODES

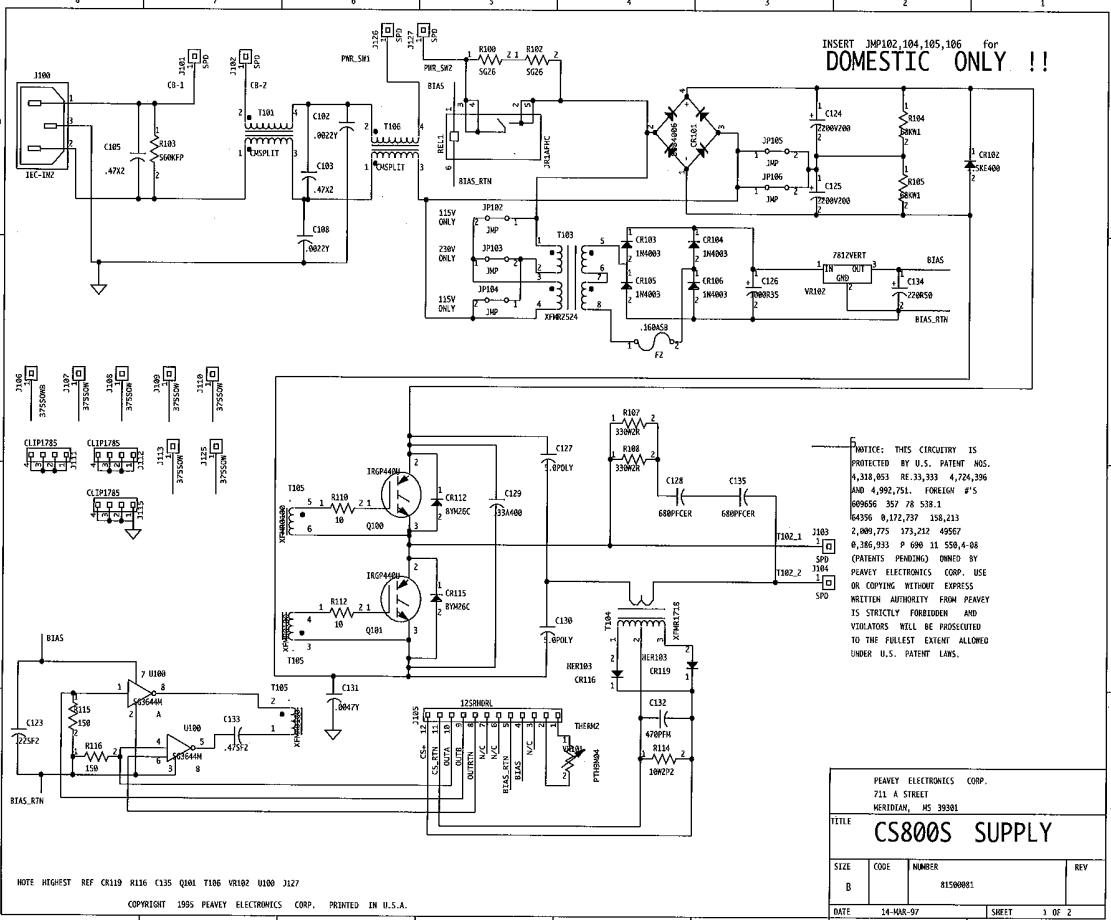
---	0.85 MIL.
---	1.15 MIL.
---	1.5 MIL.

PEAVEY ELECTRONICS CORP. 711 A STREET WILKINSON, MISSISSIPPI 39201			
TITLE CS500S POWER AMP			
SIZE CODE	NUMBER	REV	W
	81500001		
DATE	12-24-79	SHEET	07



BOARD NAME: CS800SW PWR
 PART PART DESCRIPTION AND
 QTY NAME VALUE NUMBER DEVICE DESIGNATIONS ***

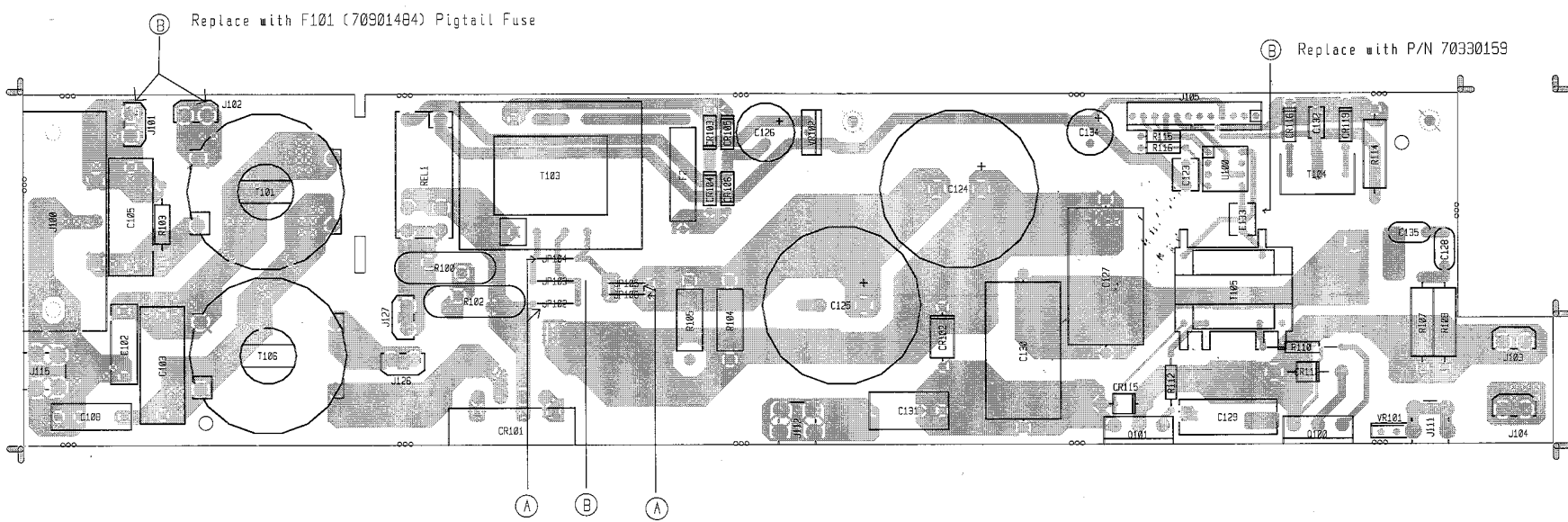
QTY	NAME	VALUE	NUMBER	DEVICE DESIGNATIONS	*****
				C100, C114, C117	
1	11.5KP1	11.5KP1	70240053	11.5K-1/4W-1%---MF--T&R	
				R140	
2	120	120	70240011	120---1/4W-5%---CF--T&R	
				R178, R182	
1	13080	13080	70413080	LM3080N CUSTOM SELECTED	
				U104	
2	13886	13886	70413886	SZ-13886-2 DUAL DIODE	
				CR127, CR128	
1	14.3KP1	14.3KP1	70241009	14.3K-1/4W-1%---MF--T&R	
				R142	
2	150	150	70240001	150---1/4W-5%---CF--T&R	
				R172, R175	
1	150K	150K	70240035	150K-1/4W-5%---CF--T&R	
				R102	
1	169KP1	169KP1	70241079	169K-1/4W-1%---MF--T&R	
				R123	
13	1K	1K	70240017	1K---1/4W-5%---CF--T&R	
				R120, R136, R160, R168, R169, R171, R174, R189, R190, R191, R192, R193, R194	
2	1KW5	1KW5	70250060	1K-5W-10%---WW--AXL	
				R151, R152	
2	1M	1M	70240039	1M---1/4W-5%---CF--T&R	
				R125, R129	
2	1N4003	1N4003	70464003	1N4003 200V SILICON DIODE	
				CR129, CR143	
32	1N4148	4148	70464148	1N4148 75V 10MA SILICON DIODE	
				CR101, CR102, CR103, CR104, CR105, CR106, CR107, CR109, CR110, CR111, CR112, CR113, CR114, CR115, CR116, CR117, CR118, CR119, CR121, CR122, CR123, CR124, CR125, CR130, CR132, CR133, CR134, CR135, CR136, CR137, CR138, CR139	
1	1N751A	1N751A	70400751	1N751A 5.1V, 4W, 5% ZENER DIODE	
				CR120	
1	1N757A	1N757A	70415239	1N5239C 9.1V 4W 2% ZENER	
				CR142	
4	2.2K	2.2K	70240020	2.2K-1/4W-5%---CF--T&R	
				R106, R107, R108, R149	
1	2.2M	2.2M	70240040	2.2M-1/4W-5%---CF--T&R	
				R115	
3	2.2R50NP	2.2R50NP	70320184	2.2MF---20%---50VDC---NP--T&A	
				C115, C116, C148	
3	2.7K	2.7K	70240021	2.7K-1/4W-5%---CF--T&R	
				R121, R135, R150	
1	2.8KP1	2.8KP1	70241007	2.8K-1/4W-1%---MF--T&R	
				R141	
1	21KP1	21KP1	70240120	21K 1% 1/4W MF T&R	
				R145	
1	220K	220K	70240036	220K-1/4W-5%---CF--T&R	
				R122	
4	22K	22K	70240029	22K-1/4W-5%---CF--T&R	
				R100, R112, R117, R126	
5	22R50	22R50	70320181	22MF---20%---50VDC---EL--T&A	
				C122, C123, C138, C139, C152	
4	22W1	22W1	70210001	22---1W-5%---MO--T&R	
				R185, R187, R188, R203	
2	235102AF	235102AF	70240216	1K TEMPISISTOR HAND-INSERT MULIT-ROTATE FENWAL	
				R206, R207	
1	267P1	267P1	70241006	267---1/4W-1%---MF--T&R	
				R164	
1	270	270	70240013	270---1/4W-5%---CF--T&R	
				R147	
2	270PF	270PF	70340057	270PF---10%---50VDC---T/C---T&R	
				C105, C129	
9	2N3919	3919	70463919	SKA-3919 TO92 NPN TRANS T&A	
				Q100, Q101, Q105, Q107, Q108, Q109, Q110, Q117, Q140	
6	2N5400	5400	70460761	761/2N5400 120V 10MA TO-92 PNP T&A	
				Q103, Q106, Q111, Q112, Q118, Q119	
3	2N5550	5550	70465550	2N5550 TO-92 NPN TRANS T&A	
				Q114, Q115, Q116	
1	330	330	70240014	330---1/4W-5%---CF--T&R	
				R186	
4	33K	33K	70240030	33K-1/4W-5%---CF--T&R	
				R101, R118, R134, R163	
1	39PF	39PF	70340052	39PF-----50VDC---T/C---T&R	
				C126	
1	3SRHDLR	73717013	73717013	3-ST-SQ/P-F-LK-HD-100	
				P108	
6	4.7K	4.7K	70240023	4.7K-1/4W-5%---CF--T&R	
				R119, R157, R159, R162, R177, R183	
3	40.2KP1	40.2KP1	70240047	40.2K-1/4W-1%---MF--T&R	
				R155, R156, R210	
3	4560	4560	70414560	4560 DUAL OP AMP IC	
				U101, U102, U103	
3	470	470	70240015	470---1/4W-5%---CF--T&R	
				R179, R180, R213	
2	470K	470K	70240038	470K-1/4W-5%---CF--T&R	
				R212, R215	
1	470PF	470PF	70340058	470PF---10%---50VDC---T/C---T&R	
				C153	
7	.015	.015	70340010	.015MF---10%---50VDC---T/C---T&R	
				C108, C110, C113, C120, C137, C140, C150	
1	.033	.033	70340014	.033MF---10%---50VDC---MON---T&R	
				C144	
9	.1	.1	70340100	.1MF---+80-20%---50VDC---AXL---T&R	
				C101, C102, C103, C111, C112, C119, C136, C141, C151	
1	.1BOX	.1BOX	70320086	.1 MFD 100VDC 10% BOX CAP	
				C147	
1	.1P10	.1P10	70340101	.1MF-----10%---50VDC---MON---T&R	
				C109	
3	.22R250	.22R250	70320129	.22MFD 10% 250V MY R/W	
				C135, C142, C146	
7	.22SF2	.22SF2	70330114	0.22 MF 5% 100V STCK FILM t&a	
				C118, C121, C130, C134, C143, C145, C149	
8	.33W10	.33W10	70250011	.33-10W-10%---WW--AXL	
				R195, R196, R197, R198, R199, R200, R201, R202	
1	.8MH	.8MH	70519917	.8MH AIR CORE COIL / CS1200	
				L100	
1	1.1KP1	1.1KP1	70240138	1.1K-1/4W-1%---MF--T&R	
				R144	
3	1.21KP1	1.21KP1	70240046	1.21K-1/4W-1%---MF--T&R	
				R153, R154, R208	
1	1.5K	1.5K	70240018	1.5K-1/4W-5%---CF--T&R	
				R167	
6	100	100	70240010	100---1/4W-5%---CF--T&R	
				R110, R124, R138, R165, R166, R173	
4	100K	100K	70240034	100K-1/4W-5%---CF--T&R	
				R111, R130, R132, R137	
2	100PF	100PF	70340054	100PF---10%---50VDC---T/C---T&R	
				C104, C106	
2	100R16	100R16	70320265	100MF-20%-16V-EL-T&A	
				C124, C125	
8	10K	10K	70240025	10K---1/4W-5%---CF--T&R	
				R109, R113, R116, R128, R131, R133, R211, R214	
2	10KP1	10KP1	70241050	10K---1/4W-1%---MF--T&R	
				R103, R104	
1	10PF	10PF	70340050	10PF-----5%-----T/C---T&R	
				C107	
5	10PFCD	10PFCD	70320249	10PF---20%---1000VDC---CD--T&A	
				C127, C128, C131, C132, C133	
3	10R50L	10R50L	70320185	10MF---20%---50VDC---LL--T&A	



NOTE HIGHEST REF CR119 R116 C135 Q101 T106 V102 U100 J127

COPYRIGHT 1995 PEAVEY ELECTRONICS CORP. PRINTED IN U.S.A.

QTY	NAME	VALUE	NUMBER	DESCRIPTION AND DEVICE DESIGNATIONS
1	0.0022	0.0022	70202026	0.022 Y-CAPACITOR
2	47K	47K	70202271	47K-20%25VAC-ND-R/W
1	0.0022	0.0022	70202026	0.022 Y-CAPACITOR
2	2200P	2200P	70202027	2200PF 50V 20% STYK FILM CAP
1	1000R35	1000R35	70202186	1000R-20%35VDC-ND-R/W
1	5.000Y	5.000Y	70202187	5.000Y 20VDC AXIAL POLY-PROPYLENE
1	680PFCER	680PFCER	70202189	680PF 50V 20% STYK FILM CAP
1	33K400	33K400	70202197	33K-20%400V-CD-R/W
1	5.000Y	5.000Y	70202187	5.000Y 20VDC AXIAL POLY-PROPYLENE
1	0.0017	0.0017	70202270	0.017Y 50V 20% STYK FILM CAP
1	470PFC	470PFC	70202118	470PF 50V 20% STYK FILM CAP
1	470PFC	470PFC	70202118	470PF 50V 20% STYK FILM CAP
1	220R50	220R50	70202187	220R-20%50VDC-ND-R/W
1	680PFCER	680PFCER	70202189	680PF 50V 20% STYK FILM CAP
1	500K006	500K006	70204006	500K-20%60V-ND-R/W
1	1.500K100	1.500K100	70204300	1.5K-20%100V-ND-R/W
4	1M4003	1M4003	70464003	1M4003 20V 10% STYK FILM CAP
2	680PFC	680PFC	70440105	680PF 50V 20% STYK FILM CAP
2	HER103	HER103	70402103	HER103 1N4003
1	1.60A28	1.60A28	70901249	1.60A 28V 20% STYK FILM CAP
1	100P1428	100P1428	70901428	100PF 142V 20% STYK FILM CAP
4	500	73716194	73716194	250 PC NMT 500V .093 PCB BRNCS
1	1250R100	1250R100	73717021	1250R 100V 10% STYK FILM CAP
1	375S008	375S008	70900779	375S 008V 1.875 SHAGS
4	375S008	375S008	70900779	375S 008V 1.875 SHAGS
2	CL101785	70901785	70901785	CL101785 100V .110 SCREW TERM. 6-32 - PCB NMT.
1	375S008	375S008	70900779	375S 008V 1.875 SHAGS
1	CL101785	70901785	70901785	CL101785 100V .110 SCREW TERM. 6-32 - PCB NMT.
1	375S008	375S008	70900779	375S 008V 1.875 SHAGS
2	500	73716194	73716194	250 PC NMT 500V .093 PCB BRNCS
2	200P4400	200P4400	70400440	200PF 440V 20% STYK FILM CAP
2	500K006	500K006	70204006	500K-20%60V-ND-R/W
2	680K018	680K018	70200018	680K-10%18V-ND-R/W
2	330W28	330W28	70200074	330W-28V-ND-R/W
2	10	10	70240003	10 OHM-2%10V-ND-R/W
1	10W2P2	10W2P2	70202083	10 OHM-2%20V-ND-R/W
2	150	150	70240001	150 OHM-5%150V-ND-R/W
1	J101YMC	J101YMC	71232371	24VDC SHRT TAPER SEALED RELAY
1	J4	J4	70600005	4 PIN 24VDC SHRT TAPER SEALED RELAY
4	1187S08	70900386	70900386	1187S 008V 1.875 SHAGS
1	187S08	70900385	70900385	187S 008V 1.875 SHAGS



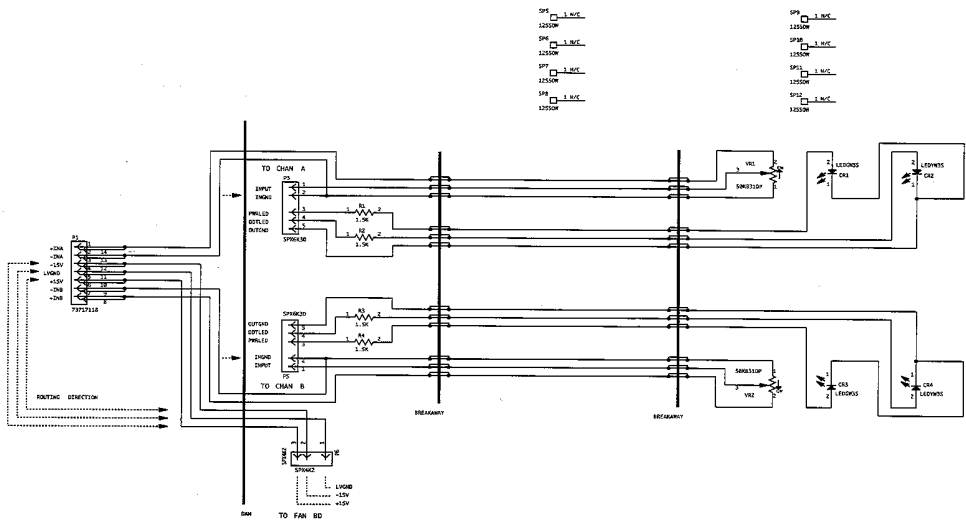
Ⓑ Replace with F101 (70901484) Pigtail Fuse

Ⓑ Replace with P/N 70330159

Ⓐ Ⓑ Ⓐ

Ⓐ - 120 Volt
 Ⓑ - 230 Volt

CS8005 E. M. I.



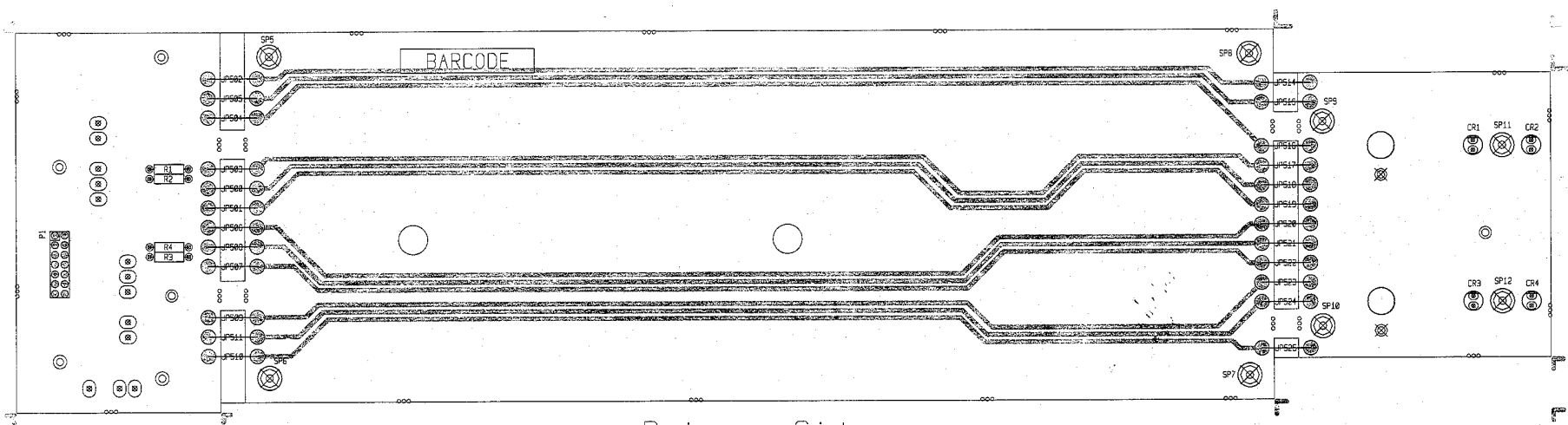
BOARD NAME: CS800SW INPUT/LEVEL

QTY.	NAME	VALUE	PART NUMBER	DESCRIPTION AND DEVICE DESIGNATIONS
1	LEDGW3S	LEDGW3S	70450046	GREEN T-1 LED W/ .300" SPACER T&A CR1
1	LEDYW3S	LEDYW3S	70450047	YELLOW T-1 LED W/ .300" SPACER T&A CR2
1	LEDGW3S	LEDGW3S	70450046	GREEN T-1 LED W/ .300" SPACER T&A CR3
1	LEDYW3S	LEDYW3S	70450047	YELLOW T-1 LED W/ .300" SPACER T&A CR4
1	14DRHR	73717040	73717040	CONN 14-PIN 0.100 H P1
2	SPX6K3D	SPX6K3D	XXXXXXXXXX	5 EACH OF STAKE PINS P3, P5
1	SPX4K2	SPX4K2	XXXXXXXXXX	3 EACH OF STAKE PINS P6
4	1.5K	1.5K	70240018	1.5K-1/4W-5%—CF-T&R
8	125SCW	70900788	70900788	SPACER, 1/8,R(44) .187 SWAGE ALIN. SP5, SP6, SP7, SP8, SP9, SP10, SP11, SP12
2	50KB31DP	71190138	71190138	SCK LINEAR 31 DETENT/WIRE TERMINAL VRL1, VRL2

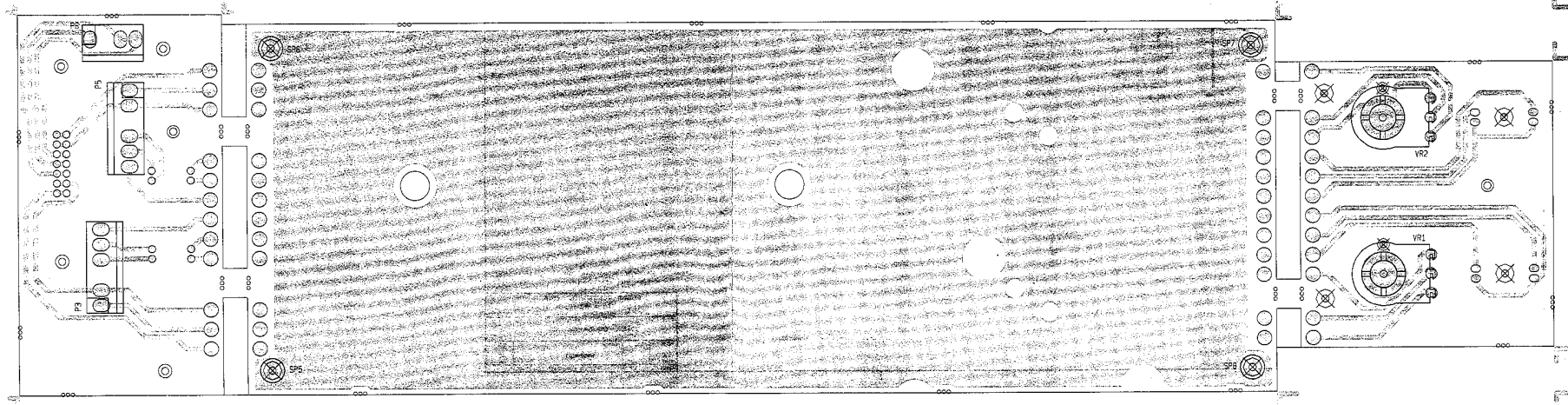
Changed 84 pin header to retention type
 REVISION USES BOARD LABEL'S

PEAVEY ELECTRONICS CORP.			
711 A STREET			
MEMPHIS, MISSISSIPPI 38101			
TITLE: CS800SW INPUT/LEVEL BD			
SIZE	DATE	REVISION	REV
C		81500801	E
DATE	1-22-86		SHEET 1 OF 1

"COMPANY PROPRIETARY INFORMATION"

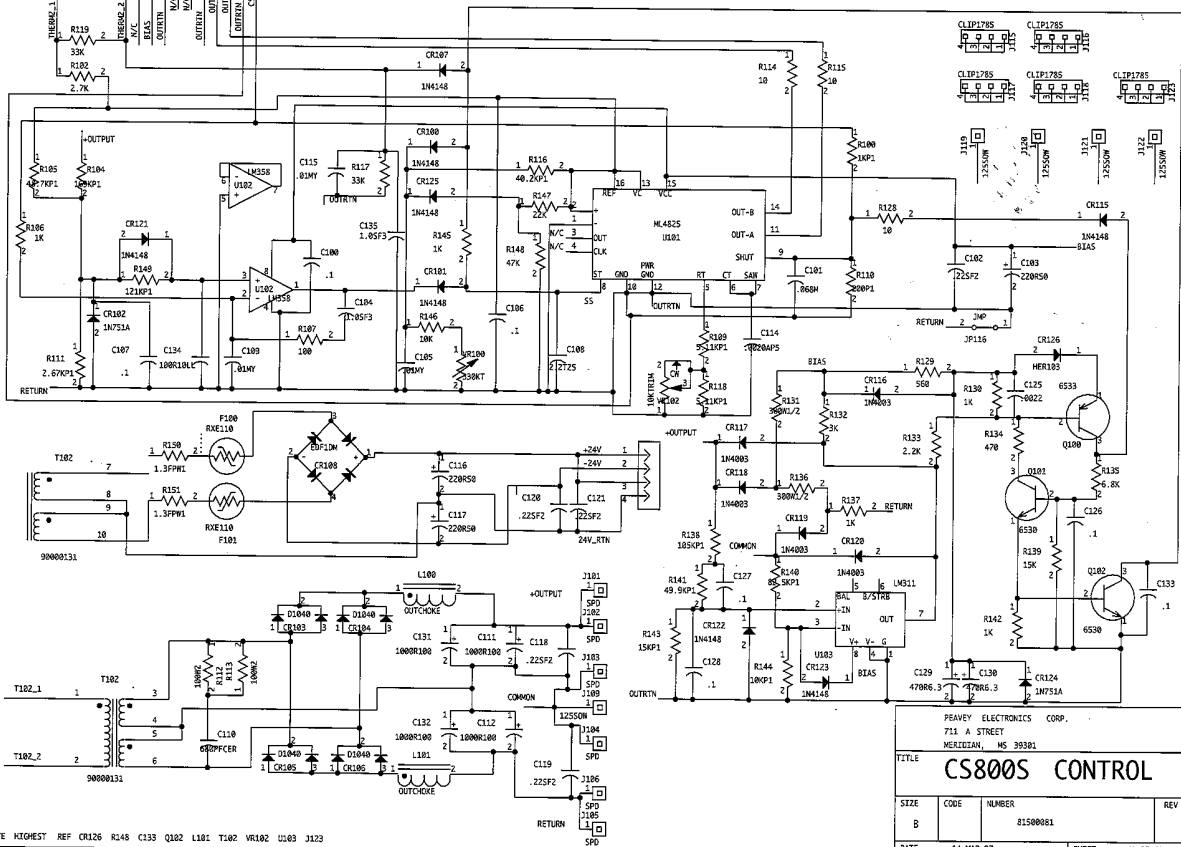


Primary Side



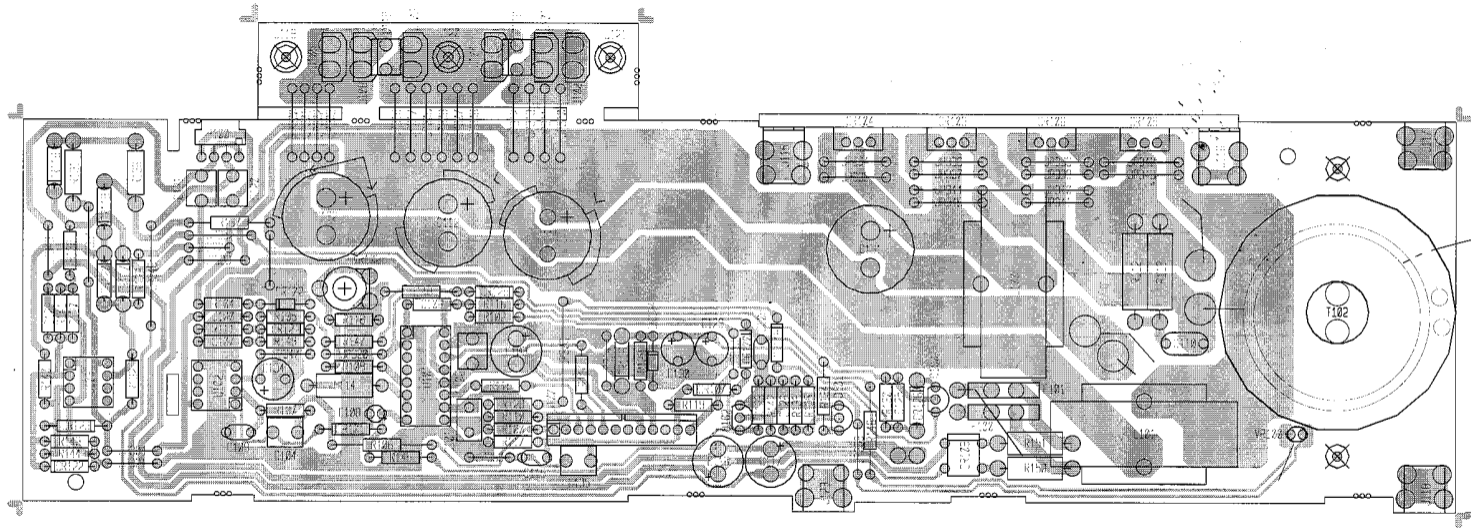
Secondary Side

CS800SW Input / Level



NOTE HIGHEST REF CR126 R148 C133 Q102 L101 T182 VR102 U103 J123

PEAVEY ELECTRONICS CORP. 711 A STREET HEALDZAN, MS 39361			
CS800S CONTROL			
SIZE	CODE	NUMBER	REV
B		81500081	
DATE	14-NOV-97	SHEET	X OF Y



CS8005 SW CONTROL

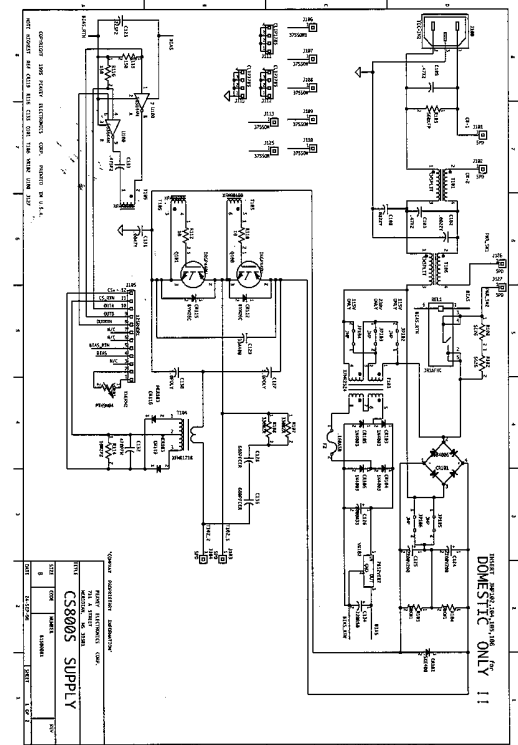
BOARD NAME: CS800SW CTRL
 PART DESCRIPTION AND
 ** QTY. NAME VALUE NUMBER DEVICE DESIGNATIONS *****

1	15KP1	15KP1	70241027	15K--1/4W--1%---MF--T&R	R105
					R143
5	1K	1K	70240017	1K---1/4W--5%---CF--T&R	1 49.9KP1 49.9KP1 70241072 49.9K-1/4W-1%---MF--T&R
					R106, R130, R137, R142, R145
1	1KP1	1KP1	70241077	1K---1/4W--1%---CF--T&R	1 4SRHRAU 73717084 73717084 4 PIN RA SQ/P F/LK HD .100
					R100
5	1N4003	1N4003	70464003	1N4003 200V SILICON DIODE	2 5.11KP1 5.11KP1 70240051 5.11K-1/4W-1%---MF--T&R
					CR116, CR117, CR118, CR119, CR120
8	1N4148	4148	70464148	1N4148 75V 10MA SILICON DIODE	1 560 560 70240050 560---1/4W--5%---CF--T&R
					CR100, CR101, CR107, CR115, CR121, CR122, CR123, CR125
2	1N751A	1N751A	70400751	1N751A 5.1V, 4W, 5% ZENER DIODE	1 6.8K 6.8K 70240024 6.8K--1/4W--5%---CF--T&R
					CR102, CR124
1	2.2K	2.2K	70240020	2.2K--1/4W--5%---CF--T&R	2 6530 6531 70466531 MPS-6531 TO92 NPN TRANS.
					R133
1	2.2T25	2.2T25	70340087	2.2 MF, 10%, 25VDC, TANTALUM T&A	1 6533 6534 70466533 MPS-6533/34 TO-92 PNP TRANS T&A
					C108
1	2.67KP1	2.67KP1	70241018	2.67K-1/4W--1%---MF--T&R	1 680PFCER 680PFCER 70320159 680PF-10%-400 VP-CD-R/W
					R111
1	2.7K	2.7K	70240021	2.7K--1/4W--5%---CF--T&R	1 82.5KP1 82.5KP1 70240130 82.5K 1% 1/4W MFT&R
					R102
1	200P1	200P1	70240079	200 OHM 1% 1/4W MFT&R	1 90000131 90000131 90000131 CS-800S PWR OUTPUT TRANS.
					R110
3	220R50	220R50	70320187	220MF---20%---50VDC---EL--T&A	5 CLIP1785 70901785 70901785 screw term, 6-32 - pcb mnt.
					C103, C116, C117
1	22K	22K	70240029	22K--1/4W--5%---CF--T&R	J115, J116, J117, J118, J123
					R147
2	300W1/2	300W1/2	70230031	300---1/2W--5%---FP---T&R	4 D1040 D1040 70401040 D10LC40 FAST RCVRY DIODE
					R131, R136
1	330KT	330KT	70240208	330K THERMISTOR	1 EDF1DM EDF1DM 70402505 1A 200V ULTRAFast BRIDGE RECTIFIER
					VR100
2	33K	33K	70240030	33K--1/4W--5%---CF--T&R	1 HER103 HER103 70400103 HER-103 HI EFF RECT DIODE
					R117, R119
1	3K	3K	70240071	3K--1/4W--5%---CF--T&R	1 LM311 LM311 70420311 LM311 VOLTAGE COMPARATOR
					R132
1	40.2KP1	40.2KP1	70240047	40.2K-1/4W--1%---MF--T&R	1 LM358 LM358 70400358 LM358 DUAL OP AMP
					R116
1	470	470	70240015	470---1/4W--5%---CF--T&R	1 ML4825 ML4825 70404825 ML4825-PWM-IC
					R134
1	470K	470K	70240038	470K--1/4W--5%---CF--T&R	2 OUTCHOKE 70519945 70519945 125 UH +/-20% TOROID INDUCTOR
					R149
2	470R6.3	470R6.3	70320183	470MF-----20%---6.3VDC---EL--T&A	2 RXE110 RXE110 70240213 1.10A 60V RESETABLE PTC FUSE
					C129, C130
1	47K	47K	70240031	47K--1/4W--5%---CF--T&R	6 SPD 73716194 73716194 .250 PC MNT SPADE .093 PCB
					R148
1	48.7KP1	48.7KP1	70241068	48.7K-1/4W--1%---MF--T&R	J101, J102, J103, J104, J105, J106

1	90000131	90000131	90000131	CS-800S PWR OUTPUT TRANS. T102
1	ML4825	ML4825	70404825	ML4825-PWM-IC U101
1	LM358	LM358	70400358	LM358 DUAL OP AMP U102
1	LM311	LM311	70420311	LM311 VOLTAGE COMPARATOR U103
1	330KT	330KT	70240208	330K THERMISTOR VR100
1	10KTRIM	10KTRIM	71190009	10K LIN HOR. PC MNT TRIM POT VR102

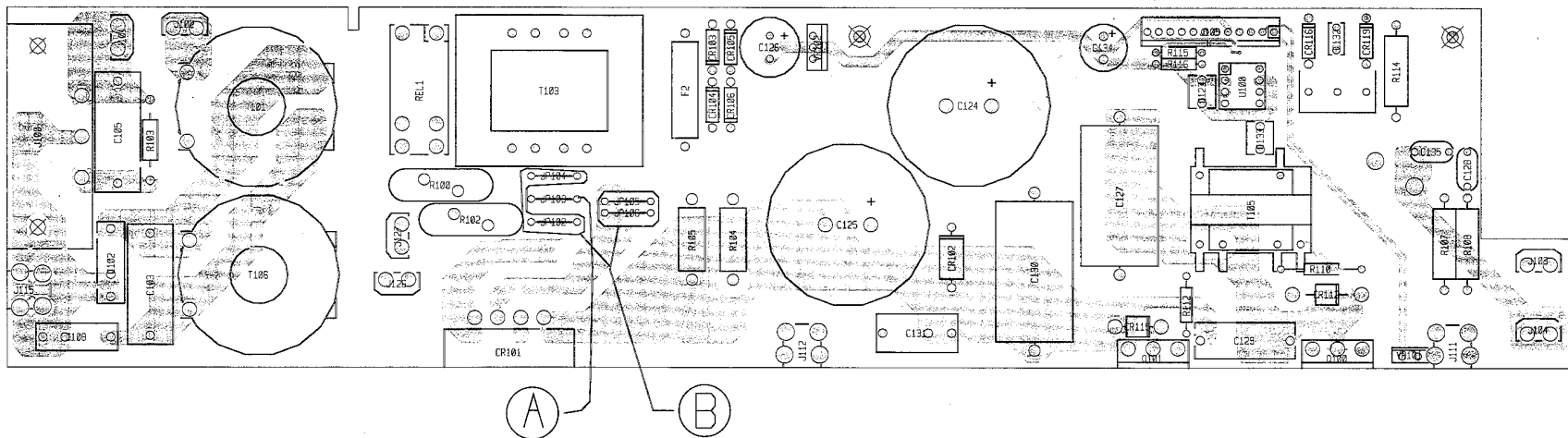
BOARD NAME: CS800SW SMT			
QTY.	NAME	VALUE	PART NUMBER
1	.0022Y	.0022Y	70320296
2	.47X2	.47X2	70320271
1	.0022Y	.0022Y	70320296
1	.225F2	.225F2	70330114
2	2200V200	2200V200	70320297
1	1000R35	1000R35	70320186
1	5.0POLY	5.0POLY	CRANE
1	680PFCER	680PFCER	70320159
1	.33A400	.33A400	70320107
1	5.0POLY	5.0POLY	CRANE
1	.0047Y	.0047Y	70320270
1	470PFM	470PFM	70330118
1	.475F2	.475F2	70330148
1	220R50	220R50	70320187
1	680PFCER	680PFCER	70320159
1	SDB4006	70404006	70404006
1	1.5KE400	1.5KE400	70415400
4	1N4003	1N4003	70464003
2	BYM26C	BYM26C	704440105
2	HER103	HER103	704000103
1	.160ASB	.160ASB	709001249
1	IEC-IN2	709001428	709001428
4	SPD	73716194	73716194
1	12SRHDRL	12SRHDRL	73717021
1	375SOWB	70900779	70900779
4	375SOW	70900295	70900295
2	CLLP1785	70901785	70901785
1	375SOW	70900295	70900295
1	CLLP1785	70901785	70901785
1	375SOW	70900295	70900295
2	SPD	73716194	73716194
2	IRGP440U	IRGP440U	70400440
2	SG26	70240210	70240210
1	560KFP	560KFP	70230046
2	68KW1	68KW1	70250018
2	330W2R	330W2R	70250074
2	10	10	70240003
1	10.5W2P2	10.5W2P2	70250083
2	150	150	70240001
1	JRIAFC	JRIAFC	71322371
4	1187SOW	70900366	70900366
1	187SOWB	70900935	70900935
2	187SOWD	70900924	70900924
1	187SOWB	70900935	70900935
4	187SOWD	70900924	70900924

1	CMSPLET	70538712	70538712	2.5MH COMMON-MODE INDUCTOR
1	XFMR2524	XFMR2524	70502524	T101 PL2.5-24 BIAS TRANSFORMER
1	XFMR1718	XFMR1718	70551718	T103 CURRENT SENSE TOROID
1	XFMR0100	70500100	70500100	GETI00100 NEW GATE XFORMER
1	CMSPLET	70538712	70538712	T105 2.5MH COMMON-MODE INDUCTOR
1	S03644M	S03644M	70413644	T106 S03644M 3A DUAL MOSFET DRIVER
1	PTH9M04	70240211	70240211	U100 100 DEGREE C. PTC THERM
1	7812VERT	7812VERT	70427812	VR101 MC 7812 CT REG VERT MNT

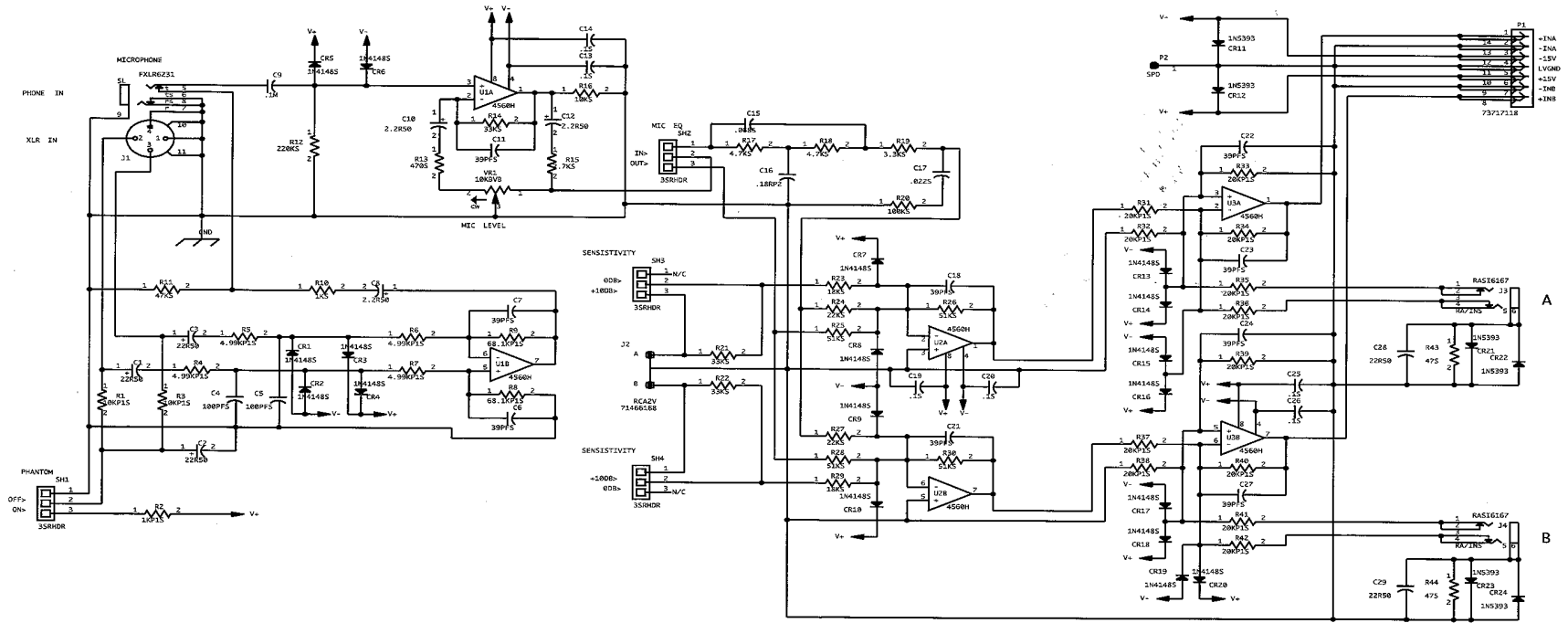
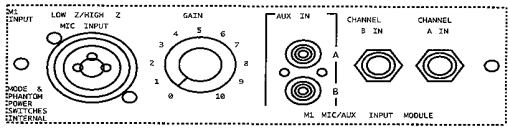


CS800S SUPPLY

	Assembly	Assembly P/N
(A)	120 volt	99300142
(B)	230 volt	99300143



CS800SW E. M. I.



#54	TP	#31	TP	#35	TP	#3	TP
TP181		TP185		TP189		TP113	
#55	TP	#29	TP	#33	TP	#6	TP
TP182		TP186		TP190		TP114	
#46	TP	#45	TP	#34	TP	#4	TP
TP183		TP187		TP191		TP115	
#32	TP	#36	TP	#9	TP		
TP184		TP188		TP192			

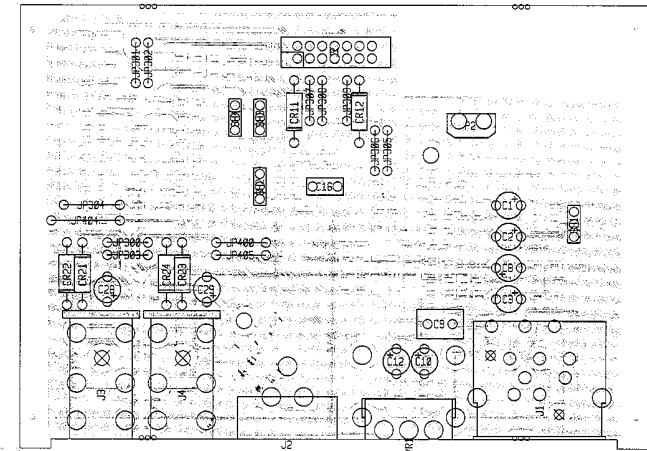
NOTICE: THIS CIRCUITRY IS PROTECTED BY U.S. PATENT NO. 4,318,053 OWNED BY PEAVEY ELECTRONICS CORP. USE OR COPYING WITHOUT EXPRESS WRITTEN AUTHORITY FROM PEAVEY IS STRICTLY FORBIDDEN AND VIOLATORS WILL BE PROSECUTED TO THE FULLEST EXTENT ALLOWED UNDER U.S. PATENT LAWS.

PEAVEY ELECTRONICS CORP. 711 A STREET MURFORD, MISSISSIPPI 39081			
TITLE CS800S MIC PRE-AMP 1			
SIZE C	CODE	NUMBER 81500131	REV C
PRINT DATE	3-DEC-87		SHEET 1 OF 1

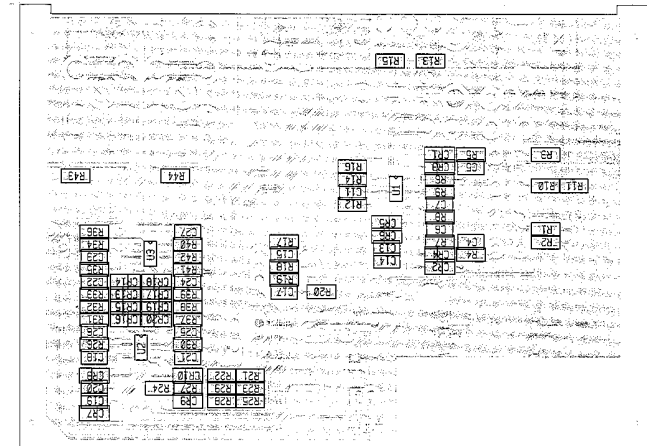
BOARD NAME: 8SMCPRE

QTY.	PART NAME	VALUE	PART NUMBER	DESCRIPTION AND DEVICE DESIGNATIONS
3	22R50	22R50	70320181	22MF-20%-50VDC-EL-T&A C1, C2, C3
2	100PFS	100PF	70300044	100PF COG 50V 5% SMT 1206 C4, C5
2	39PFS	39PF	70300012	39PFS COG 50V 5% SMT 1206 C6, C7
1	2.2R50	2.2R50	70320180	2.2MF-20%-50VDC-EL-T&A C8
1	.1M	.1M	70330129	.1M 5% 50vdc my T&A C9
1	2.2R50	2.2R50	70320180	2.2MF-20%-50VDC-EL-T&A C10
1	39PFS	39PF	70300012	39PFS COG 50V 5% SMT 1206 C11
1	2.2R50	2.2R50	70320180	2.2MF-20%-50VDC-EL-T&A C12
2	.1S	.1	70300035	.1MF Z5U 50V 20% SMT 1206 C13, C14
1	.068S	.068	xxxxx.068	.068mfd 50vdc 10% X7R 1206 C15
1	.18RP2	.18RP2	70330144	.18MF-2%-50VDC-PP-T&A C16
1	.022S	.022	70300025	.022MF X7R 50V 10% SMT 1206 C17
1	39PFS	39PF	70300012	39PFS COG 50V 5% SMT 1206 C18
2	.1S	.1	70300035	.1MF Z5U 50V 20% SMT 1206 C19, C20
4	39PFS	39PF	70300012	39PFS COG 50V 5% SMT 1206 C21, C22, C23, C24
2	.1S	.1	70300035	.1MF Z5U 50V 20% SMT 1206 C25, C26
1	39PFS	39PF	70300012	39PFS COG 50V 5% SMT 1206 C27
2	22R50	22R50	70320181	22MF-20%-50VDC-EL-T&A C28, C29
10	1N4148S	4148	70418026	1N4148 (LL34) DIODE SMT CR1, CR2, CR3, CR4, CR5, CR6, CR7, CR8, CR9, CR10
2	1N5393	5393	70465393	1N5393-RL 200V, 1.5, 5% DIODE -T&R CR11, CR12
8	1N4148S	4148	70418026	1N4148 (LL34) DIODE SMT CR13, CR14, CR15, CR16, CR17, CR18, CR19, CR20
4	1N5393	5393	70465393	1N5393-RL 200V, 1.5, 5% DIODE -T&R CR21, CR22, CR23, CR24
1	PX1R6231	71466231	71466231	COMB COMBL PML XLR-1/4JK J1
1	RCA2V	RCA2V	71466168	DUAL VERTICAL RCA JACK BOARD J2
2	RASI6167	71466167	71466167	JK N/A 12.5MM INS. STEREO -88 J3, J4
12	JMPS	JMP	70200010	0.0-1/8W-5%-smt JPS1, JPS2, JPS3, JPS4, JPS5, JPS6, JPS7, JPS8, JPS9, JPS10, JPS11, JPS12
1	73717118	73717118	73717118	14-DR-BA-RET/P-HD-.100 TIN P1
1	SPD	73716194	73716194	.250 PC MNT SPADE .093 PCB P2
1	10KPLS	10kp1	70200051	10k-1/8W-1%-SMT R1
1	1KPLS	1kp1	70200047	1k-1/8W-1%-SMT R2
1	10KPLS	10kp1	70200051	10k-1/8W-1%-SMT R3
4	4.99KPLS	4.99kp1	70200049	4.99k-1/8W-1%-SMT R4, R5, R6, R7
2	68.1KPLS	68.1kp1	70200121	68.1k 1/8W-1%-SMT 1206 R8, R9
1	1KS	1K	70200019	1k-1/8W-5%-smt R10
1	47KS	47K	70200032	47k-1/8W-5%-SMT R11
1	220KS	220K	70200044	220k-1/8W-5%-SMT R12
1	470S	470	70200046	470-1/8W-5%-SMT R13
1	33KS	33K	70200063	33k-1/8W-5%-SM R14
1	2.7KS	2.7K	70200061	2.7k-1/8W-5%-smt R15
1	10KS	10K	70200028	10k-1/8W-5%-SMT R16
2	4.7KS	4.7K	70200025	4.7k-1/8W-5%-smt R17, R18

1	3.3KS	3.3K	70200023	3.3k-1/8W-5%-smt R19
1	100KS	100K	70200034	100k-1/8W-5%-SM R20
2	33KS	33K	70200063	33k-1/8W-5%-SM R21, R22
1	18KS	18K	70200030	18k-1/8W-5%-SMT R23
1	22KS	22K	70200031	22k-1/8W-5%-SMT R24
2	51KS	51K	70200096	51k-1/8W-5%-SMT1206 R25, R26
1	22KS	22K	70200031	22k-1/8W-5%-SMT R27
1	51KS	51K	70200096	51k-1/8W-5%-SMT1206 R28
1	18KS	18K	70200030	18k-1/8W-5%-SMT R29
1	51KS	51K	70200096	51k-1/8W-5%-SMT1206 R30
12	20KPLS	20kp1	70200059	20k-1/8W-1%-SMT R31, R32, R33, R34, R35, R36, R37, R38, R39, R40, R41, R42
2	47S	47	70200012	47-1/8W-5%-smt R43, R44
4	3SRHDR	73717052	73717052	3-ST-SQ/P-FL-HD-.100 SH1, SH2, SH3, SH4
15	TP	XXXXXXX	XXXXXXX	TP101, TP102, TP103, TP104, TP105, TP106, TP107, TP108, TP109, TP110, TP111, TP112, TP113, TP114, TP115
3	4560H	4560	70418053	4560 DL OP AMP SOIC-8 U1, U2, U3
1	10KBBV	71190510	71190510	10K LIN MIN VPC W/BRACKET VRL



Primary side



Secondary side

CS800S Mic Preamp

8 7 6 5 4 3 2 1

D

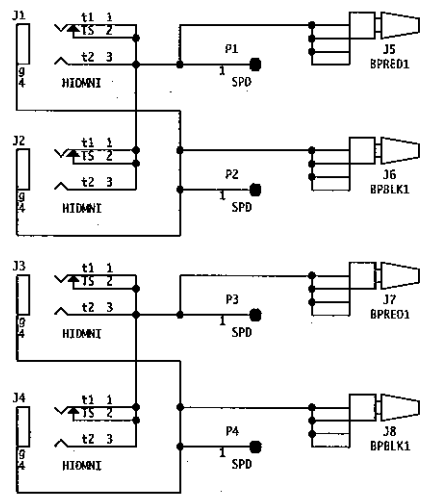
C

B

A

CHAN A OUTPUTS

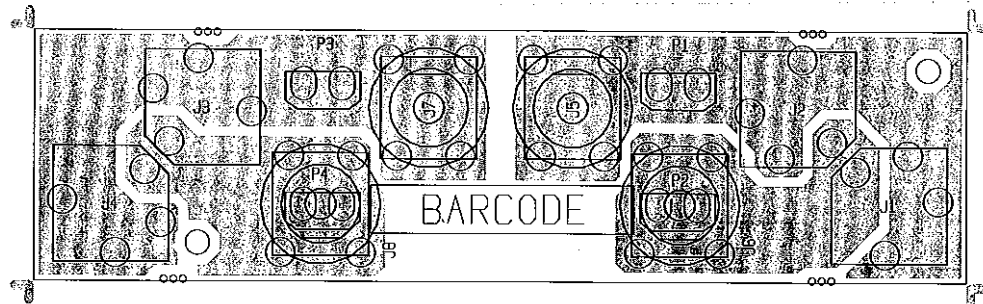
CHAN B OUTPUTS



"COMPANY PROPRIETARY INFORMATION"

PEAVEY ELECTRONICS CORP. 711 A STREET MERIDIAN, MISSISSIPPI 39301			
TITLE CS-800S OUTPUT BD A			
SIZE B	CODE	NUMBER 81500081	REV B
DATE 5-SEP-96	SHEET 1 OF 1		

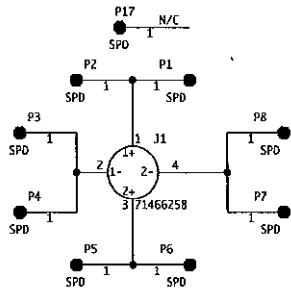
8 7 6 5 4 3 2 1



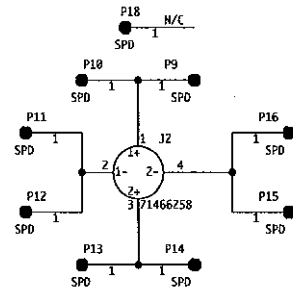
BOARD NAME: CS800SW OUTPUT

** QTY.	NAME	VALUE	PART NUMBER	DESCRIPTION AND DEVICE DESIGNATIONS *****
4	HIDMNI	71466214	71466214	2 TIP HID JACK NINS W/SPD J1, J2, J3, J4
1	BPRED1	71466201	71466201	BINDING POST PC RED-90 J5
1	BPBLK1	71466200	71466200	BINDING POST PC BLK-90 J6
1	BPRED1	71466201	71466201	BINDING POST PC RED-90 J7
1	BPBLK1	71466200	71466200	BINDING POST PC BLK-90 J8
4	SPD	73716194	73716194	.250 PC MNT SPADE .093 PCB P1, P2, P3, P4

CS800SW Output



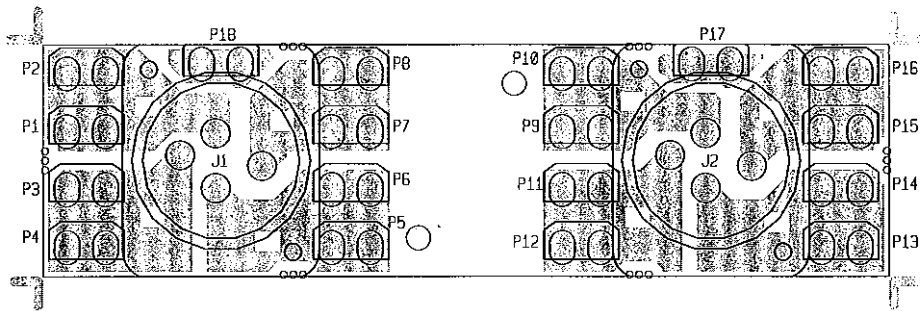
ENCLOSURE A



ENCLOSURE B

COMPANY PROPRIETARY INFORMATION

PEAVEY ELECTRONICS CORP. 711 A STREET MERIDIAN, MISSISSIPPI 39301			
TITLE CS-800S EURO OUT BOARD			
SIZE B	CODE	NUMBER 81500081	REV C
PRINT	DATE 5-SEP-96	SHEET	1 OF 1

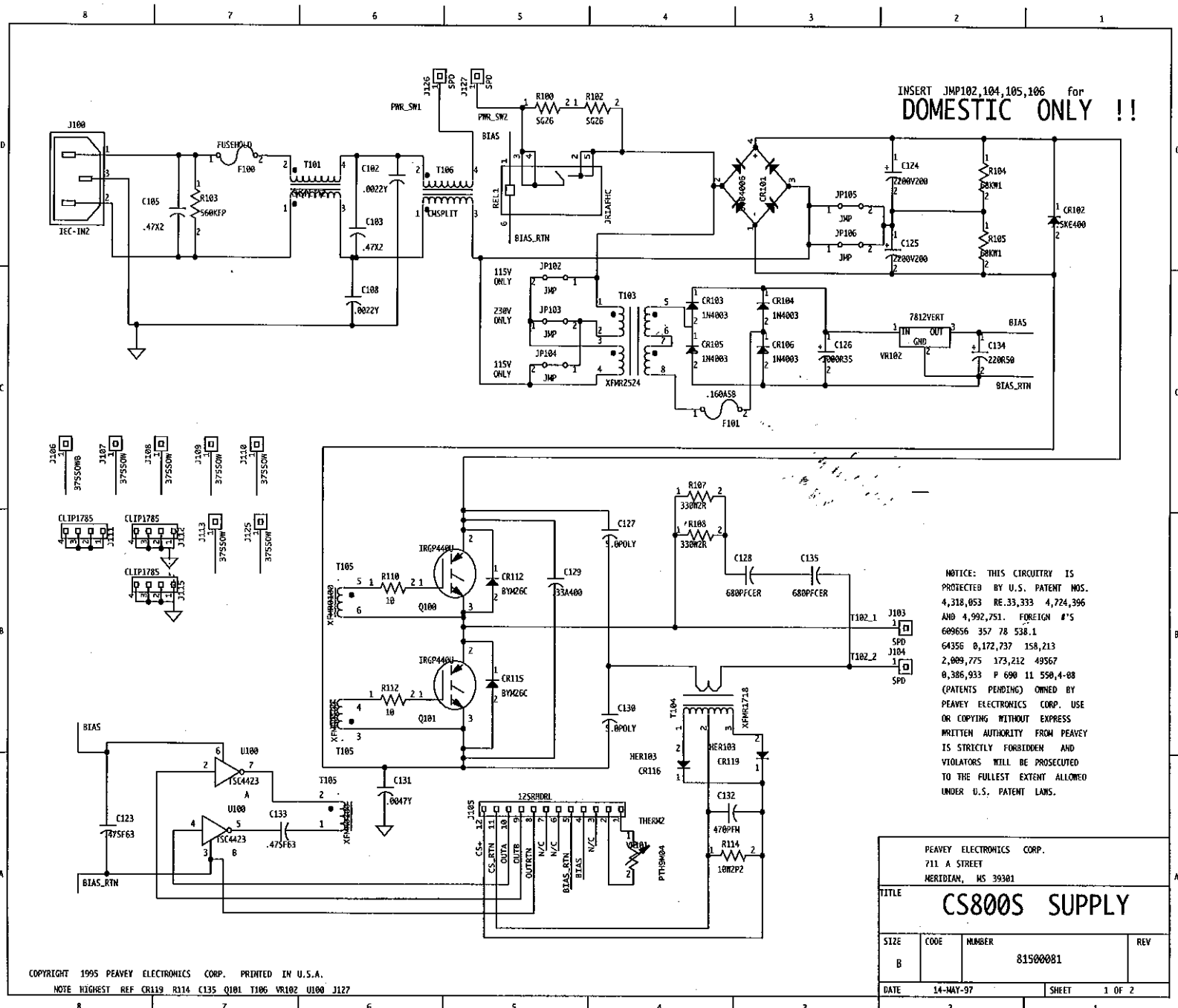


BOARD NAME: CS800SW EURO OUT

** QTY.	NAME	VALUE	PART NUMBER	DESCRIPTION AND DEVICE DESIGNATIONS *****
2	71466258	71466258	71466258	PCB CONN, 4 POLE SPEAKON (NEUTRIK) J1, J2
18	SPD	73716194	73716194	.250 PC MNT SPADE .093 PCB P1, P2, P3, P4, P5, P6, P7, P8, P9, P10, P11, P12, P13, P14, P15, P16, P17, P18 *****

CS800SW Euro Output

BOARD NAME: CS8S EMI								
** QTY.	PART NAME	VALUE	PART NUMBER	DESCRIPTION AND DEVICE DESIGNATIONS				
1	.0022Y	.0022Y	70320296	.0022 Y-CLASS CAPACITOR C102	1	JR1AFHC	JR1AFHC 71322371	15A, 240VAC SPST TAPE SEALED RELAY
2	.47X2	.47X2	70320271	.47MF-20%-275VAC-MP-R/W C103, C105	4	1187SOW	70900366 70900366	HEX SPACER 1 3/16 W/4-40 IN SO301, SO302, SO303, SO304
1	.0022Y	.0022Y	70320296	.0022 Y-CLASS CAPACITOR C108	1	187SOWB	70900935 70900935	SPACER,.187 (#4),.187 SWAGE BRASS
1	.47SF63	.47SF63	70330159	.047 MF 63V STACK FILM T&A C123	2	187SOWD	70900924 70900924	SPACER,.187 R.(#4).187 SWAGE ALUM.
2	2200V200	2200V200	70320297	2200 MF 20% 200VDC EL R/S SMH C124, C125	1	187SOWB	70900935 70900935	SPACER,.187 (#4).187 SWAGE BRASS
1	1000R35	1000R35	70320186	1000MF-20%-35VDC-EL-T&A C126	4	187SOWD	70900924 70900924	SPACER,.187 R.(#4).187 SWAGE ALUM.
1	5.0POLY	5.0POLY	CRANE	5.0UF 250VDC AXIAL POLY-PROPYLENE C127	1	CMSPLIT2	70538717 70538717	SO309, SO310, SO311, SO312 VERT 1.8MH COMMON-MODE CHOKE
1	680PFCER	680PFCER	70320159	680PF-10%-400 VP-CD-R/W C128	1	XFMR2524	XFMR2524 70502524	FL2.5-24 BIAS TRANSFORMER
1	.33A400	.33A400	70320107	.33MFD @ 400V MYLAR CAP C129	1	XFMR1718	XFMR1718 70551718	CURRENT SENSE TOROID
1	5.0POLY	5.0POLY	CRANE	5.0UF 250VDC AXIAL POLY-PROPYLENE C130	1	XFMR0100	70500100 70500100	GDT100100 NEW GATE XFORMER
1	.0047Y	.0047Y	70320270	.0047MF-20%-250VAC-PF-R/W C131	1	CMSPLIT	70538712 70538712	2.5MH COMMON-MODE INDUCTOR
1	470PFM	470PFM	70330118	470pf 5% 50vdc my T&A C132	1	TSC4423	TSC4423 70404423	TSC4423 3A DUAL MOSFET DRIVER
1	.47SF63	.47SF63	70330159	.047 MF 63V STACK FILM T&A C133	1	PTH9M04	70240211 70240211	100 DEGREE C, PTC THERM
1	220R50	220R50	70320187	220MF-20%-50VDC-EL-T&A C134	1	7812VERT	7812VERT 70427812	MC 7812 CT REG VERT MNT
1	680PFCER	680PFCER	70320159	680PF-10%-400 VP-CD-R/W C135	*****			
1	SDB4006	70404006	70404006	40A, 600V INLINE BRIDGE RECTIFIER CR101				
1	1.5KE400	1.5KE400	70415400	1.5KE400A TRANS. VLTG SUPP CR102				
4	1N4003	1N4003	70464003	1N4003 200V SILICON DIODE CR103, CR104, CR105, CR106				
2	BYM26C	BYM26C	70440105	BYM26C, 600V, 2.25A ULTRAFAST DIODE CR112, CR115				
2	HER103	HER103	70400103	HER-103 HI EFF RECT DIODE CR116, CR119				
1	FUSEHOLD	70901483	70901483	UNIVERSAL(5X20MM/.25X1.25) FUSE HOLDER F100				
1	.160ASB	.160ASB	70901249	.160 A SB 5X20MM T/R FUSE F101				
1	IEC-IN2	70901428	70901428	PWR INLET, RA SCREW MT PC J100				
2	SPD	73716194	73716194	.250 PC MNT SPADE .093 PCB J103, J104				
1	12SRHDRL	12SRHDRL	73717021	12 PIN HEADER W/LOCK J105				
1	375SOWB	70900779	70900779	SPACER,3/8,R(#4),.187 SWAGE BRASS J106				
4	375SOW	70900295	70900295	SPACER,3/8,R(#4).187 SWAGE ALUM. J107, J108, J109, J110				
2	CLIP1785	70901785	70901785	screw term, 6-32 - pcb mnt. J111, J112				
1	375SOW	70900295	70900295	SPACER,3/8,R(#4),.187 SWAGE ALUM. J113				
1	CLIP1785	70901785	70901785	screw term, 6-32 - pcb mnt. J115				
1	375SOW	70900295	70900295	SPACER,3/8,R(#4),.187 SWAGE ALUM. J125				
2	SPD	73716194	73716194	.250 PC MNT SPADE .093 PCB J126, J127				
2	IRGP440U	IRGP440U	70400440	IRGP440U N CH ULTRA-FAST IGBT T03P Q100, Q101				
2	SG26	70240210	70240210	5 OHM, 12 A INRUSH THERMISTOR R100, R102				
1	560KFP	560KFP	70230046	560K 1/2W FP RESISTOR T&R R103				
2	68KW1	68KW1	70250018	68K-1W--10%-MO-T&R R104, R105				
2	330W2R	330W2R	70250074	330-RSS2W-5%-MO-AXL R107, R108				
2	10	10	70240003	10-1/4W-5%-CF-T&R R110, R112				
1	10W2P2	10W2P2	70250083	10 OHM-2%-2W-MO-T/R R114				



INSERT JMP102, 104, 105, 106 for
DOMESTIC ONLY !!

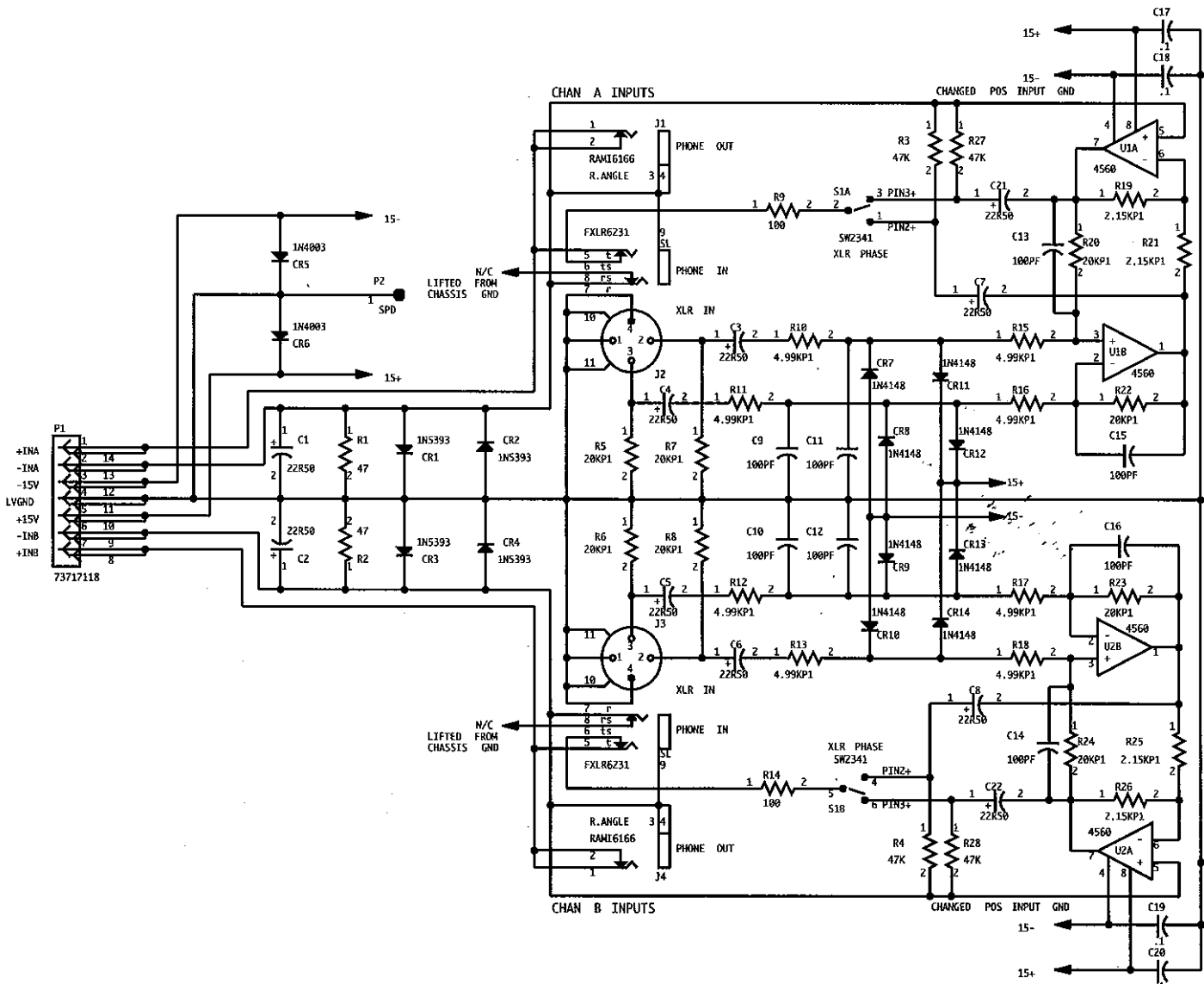
NOTICE: THIS CIRCUITRY IS PROTECTED BY U.S. PATENT NOS. 4,318,053 RE. 33,333 4,724,396 AND 4,992,751. FOREIGN #'S 609656 357 78 538.1 6435G 0,172,737 158,213 2,009,775 173,212 49567 0,386,933 P 690 11 550,4-08 (PATENTS PENDING) OWNED BY PEAVEY ELECTRONICS CORP. USE OR COPYING WITHOUT EXPRESS WRITTEN AUTHORITY FROM PEAVEY IS STRICTLY FORBIDDEN AND VIOLATORS WILL BE PROSECUTED TO THE FULLEST EXTENT ALLOWED UNDER U.S. PATENT LAWS.

PEAVEY ELECTRONICS CORP. 711 A STREET MERIDIAN, MS 39301			
TITLE CS800S SUPPLY			
SIZE B	CODE	NUMBER 81500081	REV
DATE 14-MAY-97	SHEET 1 OF 2		

COPYRIGHT 1995 PEAVEY ELECTRONICS CORP. PRINTED IN U.S.A.
NOTE HIGHEST REF CR119 R114 C135 Q101 T106 VR102 U100 J127

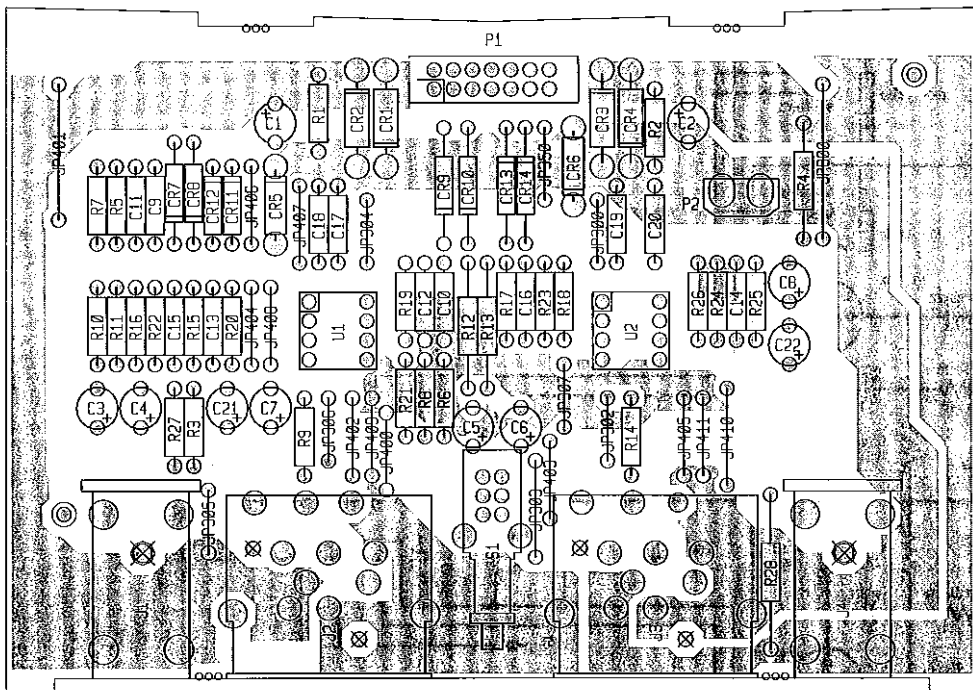
BOARD NAME: CS800SW CTRL				2	6530	6531	70466531	MPS-6531 TO92 NPN TRANS.
QTY.	NAME	VALUE	PART NUMBER	DESCRIPTION AND DEVICE DESIGNATIONS	1	1KP1	1KP1	70241077
1	.1	.1	70340100	.1MF+80-20%-50VDC-AXL-T&R C100	1	2.7K	2.7K	70240021
1	.068M	.068M	70330124	.068M 5% 50vdc my T&A C101	1	169KP1	169KP1	70241079
1	.22SF2	.22SF2	70330114	0.22 MF 5% 100V STCK FILM T&A C102	1	48.7KP1	48.7KP1	70241068
1	220R50	220R50	70320187	220MF-20%-50VDC-EL-T&A C103	1	1K	1K	70240017
1	1.0SF3	1.0SF3	70330158	1MF 63V STACK FILM T&A C104	1	100	100	70240010
1	.01MY	.01MY	70320077	.01 UF MYLAR 5% 100V C105	1	5.11KP1	5.11KP1	70240051
2	.1	.1	70340100	.1MF+80-20%-50VDC-AXL-T&R C106, C107	1	200P1	200P1	70240079
1	2.2T25	2.2T25	70340087	2.2 MF,10%,25VDC,TANTALUM T&A C108	1	2.67KP1	2.67KP1	70241018
1	.01MY	.01MY	70320077	.01 UF MYLAR 5% 100V C109	2	100W2	100W2	70250080
1	680PFCER	680PFCER	70320159	680PF-10%-400 VP-CD-R/W C110	2	10	10	70240003
2	1000R100	1000R100	70320287	1000 MFD 100VDC EL LOW ESR C111, C112	1	40.2KP1	40.2KP1	70240047
1	.0020AP5	.0020AP5	70340093	.0020MF, 5%, 100V, T&R C114	1	33K	33K	70240030
1	.01MY	.01MY	70320077	.01 UF MYLAR 5% 100V C115	1	5.11KP1	5.11KP1	70240051
2	220R50	220R50	70320187	220MF-20%-50VDC-EL-T&A C116, C117	1	33K	33K	70240030
4	.22SF2	.22SF2	70330114	0.22 MF 5% 100V STCK FILM T&A C118, C119, C120, C121	1	10	10	70240003
1	.0022	.0022	70340004	.0022MF-10%-50VDC-T/C-T&R C125	1	560	560	70240050
3	.1	.1	70340100	.1MF+80-20%-50VDC-AXL-T&R C126, C127, C128	1	1K	1K	70240017
2	470R6.3	470R6.3	70320183	470MF-20%-6.3VDC-EL-T&A C129, C130	1	300W1/2	300W1/2	70230031
2	1000R100	1000R100	70320287	1000 MFD 100VDC EL LOW ESR C131, C132	1	3K	3K	70240071
1	.1	.1	70340100	.1MF+80-20%-50VDC-AXL-T&R C133	1	2.2K	2.2K	70240020
1	100R10LL	100R10LL	70320304	100MF-10V LOW LEAKAGE ELECT. T&A C134	1	470	470	70240015
1	1.0SF3	1.0SF3	70330158	1MF 63V STACK FILM T&A C135	1	6.8K	6.8K	70240024
2	1N4148	4148	70464148	1N4148 75V 10MA SILICON DIODE CR100, CR101	1	300W1/2	300W1/2	70230031
1	1N751A	1N751A	70400751	1N751A 5.1V, .4W, 5% ZENER DIODE CR102	1	1K	1K	70240017
4	D1040	D1040	70401040	D1040 FAST RCVRY DIODE CR103, CR104, CR105, CR106	1	105KP1	105KP1	70241076
1	1N4148	4148	70464148	1N4148 75V 10MA SILICON DIODE CR107	1	15K	15K	70240027
1	EDF1DM	EDF1DM	70402505	1A 200V ULTRAFAST BRIDGE RECTIFIER CR108	1	82.5KP1	82.5KP1	70240130
1	1N4148	4148	70464148	1N4148 75V 10MA SILICON DIODE CR115	1	49.9KP1	49.9KP1	70241072
5	1N4003	1N4003	70464003	1N4003 200V SILICON DIODE CR116, CR117, CR118, CR119, CR120	1	1K	1K	70240017
3	1N4148	4148	70464148	1N4148 75V 10MA SILICON DIODE CR121, CR122, CR123	1	15KP1	15KP1	70241027
1	1N751A	1N751A	70400751	1N751A 5.1V, .4W, 5% ZENER DIODE CR124	1	10K	10K	70240025
1	1N4148	4148	70464148	1N4148 75V 10MA SILICON DIODE CR125	1	10K	10K	70240025
1	HER103	HER103	70400103	HER-103 HI EFF RECT DIODE CR126	1	22K	22K	70240029
2	RXE110	RXE110	70240213	1.10A 60V RESETABLE PTC FUSE F100, F101	1	47K	47K	70240031
1	12SRHDRL	12SRHDRL	73717021	12 PIN HEADER W/LOCK J100	1	121KP1	121KP1	70241034
6	SPD	73716194	73716194	.250 PC MNT SPADE.093 PCB J101, J102, J103, J104, J105, J106	2	1.3FPW1	1.3FPW1	70210022
1	125SOW	70900788	70900788	SPACER, 1/8, R(#4), .187 SWAGE ALUM. J109	1	J4	J	70600005
4	CLIP1785	70901785	70901785	screw term, 6-32 - pcb mnt. J115, J116, J117, J118	4	1187SOW	70900366	70900366
4	125SOW	70900788	70900788	SPACER, 1/8, R(#4), .187 SWAGE ALUM. J119, J120, J121, J122	1	187SOWB	70900935	70900935
1	CLIP1785	70901785	70901785	screw term, 6-32 - pcb mnt. J123	2	187SOWD	70900924	70900924
2	OUTCHOKE	70519945	70519945	125 UH+/-20% TOROID INDUCTOR L100, L101	1	187SOWB	70900935	70900935
1	4SRHRAU	73717084	73717084	4 PIN RA SQ/P F/LK HD .100 F100	4	187SOWD	70900924	70900924
1	6533	6534	70466533	MPS-6533/34 TO-92 PNP TRANS T&A Q100				

1	90000131	90000131	90000131	CS-800S PWR OUTPUT TRANS. T102
1	ML4825	ML4825	70404825	ML4825-PWM-IC U101
1	LM358	LM358	70400358	LM358 DUAL OP AMP U102
1	LM311	LM311	70420311	LM311 VOLTAGE COMPARATOR U103
1	330KT	330KT	70240208	330K THERMISTOR VR100
1	10KTRIM	10KTRIM	71190009	10K LIN HOR. PC MNT TRIM POT VR102



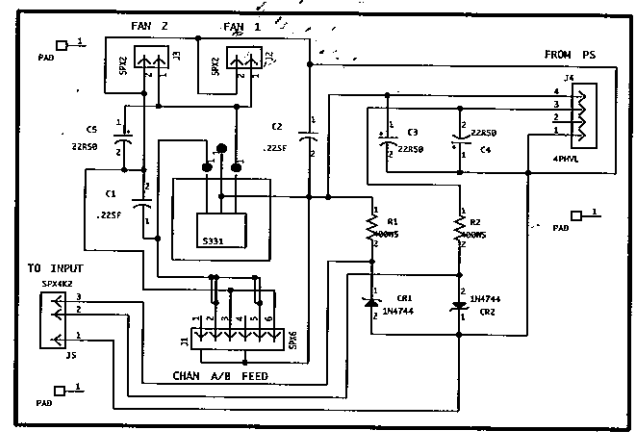
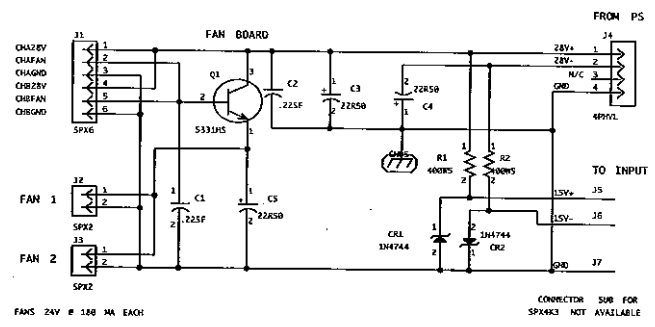
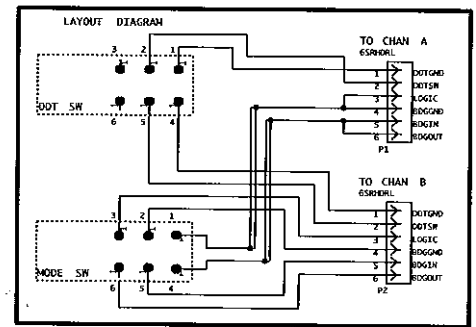
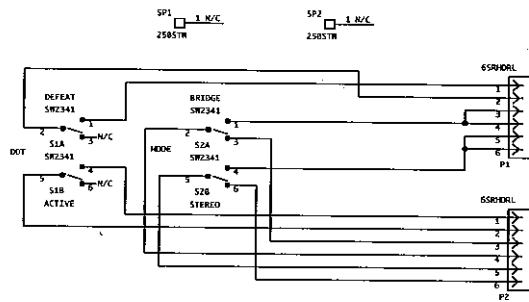
NOTICE: THIS CIRCUITRY IS PROTECTED BY U.S. PATENT NO. 4,318,053 OWNED BY PEAVEY ELECTRONICS CORP. USE OR COPYING WITHOUT EXPRESS WRITTEN AUTHORITY FROM PEAVEY IS STRICTLY FORBIDDEN AND VIOLATORS WILL BE PROSECUTED TO THE FULLEST EXTENT ALLOWED UNDER U.S. PATENT LAWS.

PEAVEY ELECTRONICS CORP. 711 A STREET MERIDIAN, MISSISSIPPI 39301			
TITLE CS-800S B1 INPUT MODULE			
SIZE B	CODE	NUMBER 81500081	REV A
DATE 28-MAY-98		SHEET 1 OF 1	

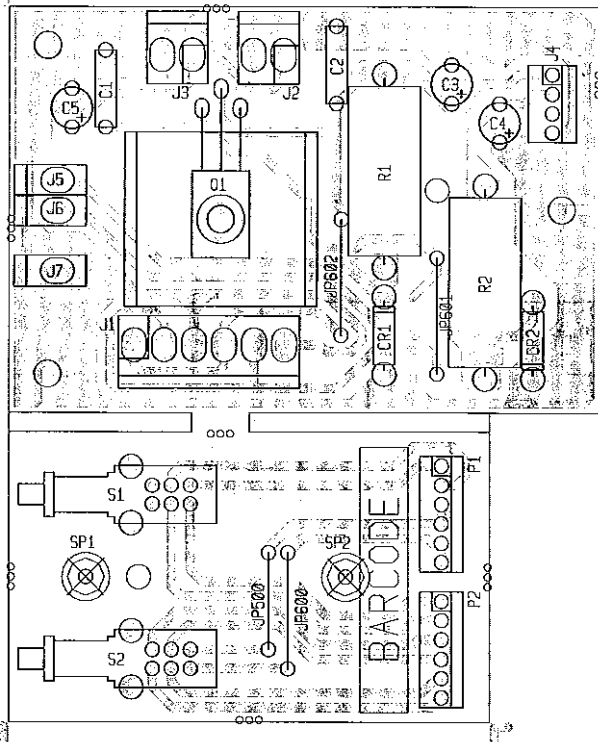


CS800SW Input Module "X"

BOARD NAME: CS800S INPUT				DESCRIPTION AND DEVICE DESIGNATIONS *****
** QTY.	PART NAME	VALUE	PART NUMBER	
8	22R50	22R50	70320181	22MF—20%—50VDC—EL—T&A C1, C2, C3, C4, C5, C6, C7, C8
8	100PF	100PF	70340054	100PF—10%—50VDC—T/C—T&R C9, C10, C11, C12, C13, C14, C15, C16
4	.1	.1	70340100	.1MF—80—20%—50VDC—AXL—T&R C17, C18, C19, C20
2	22R50	Q22R50	70320181	22MF—20%—50VDC—EL—T&A C21, C22
4	1N5393	5393	70465393	1N5393—RL 200V, 1.5, 5% DIODE —T&R CR1, CR2, CR3, CR4
2	1N4003	1N4003	70464003	1N4003 200V SILICON DIODE CR5, CR6
8	1N4148	4148	70464148	1N4148 75V 10MA SILICON DIODE CR7, CR8, CR9, CR10, CR11, CR12, CR13, CR14
1	RAMI6166	71466166	71466166	JK R/A 12.5MM INS MONO -88 J1
2	FXLR6231	71466231	71466231	COMB COAXL FML XLR-1/4JK J2, J3
1	RAMI6166	71466166	71466166	JK R/A 12.5MM INS MONO -88 J4
1	73717118	73717118	73717118	14-DR-BA-RET/P-HD-.100 TIN P1
1	SPP	73716194	73716194	.250 PC MNT SPADE .093 PCB P2
2	47	47	70240008	47—1/4W-5%—CF-T&R R1, R2
2	47K	47K	70240031	47K—1/4W-5%—CF-T&R R3, R4
4	20KP1	20KP1	70241040	20K—1/4W-1%—MF-T&R R5, R6, R7, R8
1	100	100	70240010	100—1/4W-5%—CF-T&R R9
4	4.99KP1	4.99KP1	70241060	4.99K—1/4W-1%—MF-T&R R10, R11, R12, R13
1	100	100	70240010	100—1/4W-5%—CF-T&R R14
4	4.99KP1	4.99KP1	70241060	4.99K—1/4W-1%—MF-T&R R15, R16, R17, R18
1	2.15KP1	2.15KP1	70241017	2.15K—1/4W-1%—MF-T&R R19
1	20KP1	20KP1	70241040	20K—1/4W-1%—MF-T&R R20
1	2.15KP1	2.15KP1	70241017	2.15K—1/4W-1%—MF-T&R R21
3	20KP1	20KP1	70241040	20K—1/4W-1%—MF-T&R R22, R23, R24
2	2.15KP1	2.15KP1	70241017	2.15K—1/4W-1%—MF-T&R R25, R26
2	47K	47K	70240031	47K—1/4W-5%—CF-T&R R27, R28
1	SW2341	SW2341	71322341	dpdt p/p r/a mini S1
2	4560	4560	70414560	4560 DUAL OP AMP IC U1, U2



PEAVEY ELECTRONICS CORP.			
711 A STREET			
MERIDIAN, MISSISSIPPI 39301			
TITLE			
CS800 SW DOT/FAN BD			
SIZE	CODE	NUMBER	REV
C		81500081	E
PRINT	DATE	24-SEP-96	SHEET 1 OF 1



CS800SW DDT / FAN

BOARD NAME: CS8SW/DDT/FAN

** QTY.	PART NAME	VALUE	PART NUMBER	DESCRIPTION AND DEVICE DESIGNATIONS *****
2	.22SF	.22SF	70330096	0.22 MF 5% 100V STCK FILM C1, C2
3	22R50	22R50	70320181	22MF—20%—50VDC—EL—T&A C3, C4, C5
2	1N4744	4744	70440102	SZG40102 15V 5% ZENER DIODE CR1, CR2
1	SPX6	SPX6	XXXXXXX	6 EACH OF STAKE PINS J1
2	SPX2	SPX2	XXXXXXX	2 EACH OF STAKE PINS J2, J3
1	4PHVL	4PHVL	73717015	4 PIN HEADER VERT. W/LOCK J4
3	SPX1U	SPX1U	73717003	1 STAKE PIN J5, J6, J7
2	6SRHDRL	73717123	73717123	6 PIN .100 S/R HEADER LOCKING P1, P2
1	5331HS	5331	70405331	SJE-5331 CASE-77 NPN W/ HEATSINK Q1
2	400W5	400W5	70250062	400—5W—10%—WW—AXL R1, R2
2	SW2341	SW2341	71322341	dpdt p/p r/a mini S1, S2
2	250STW	70901856	70901856	SPCR, 1/4,R(#4),.187 SW,AL SP1, SP2

* END OF BILL OF MATERIALS REPORT *
