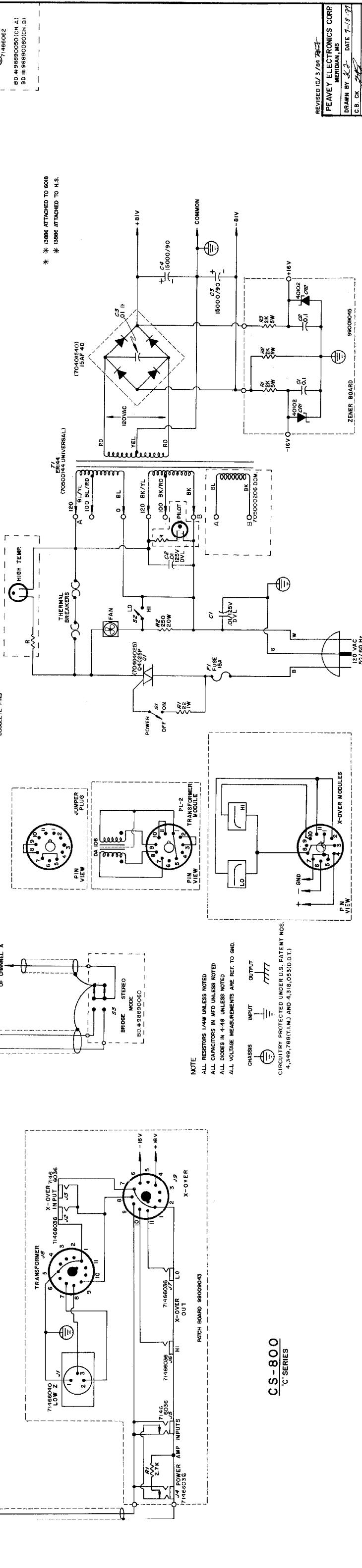
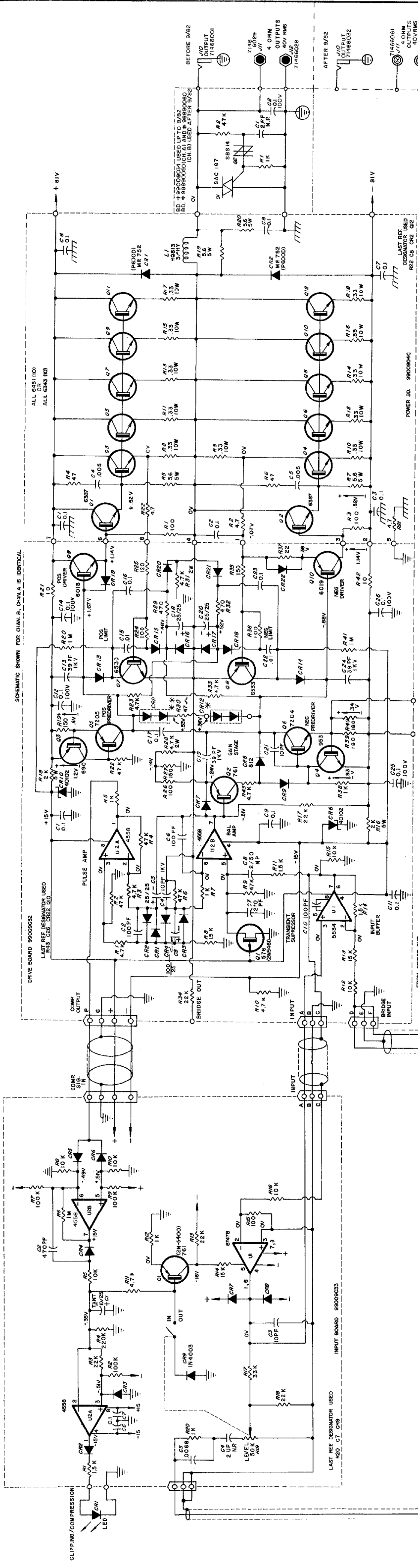


SCHEMATIC SHOWN FOR CHAN. B, CHAN. A IS IDENTICAL



NOTE
 ALL RESISTORS 1/4W UNLESS NOTED
 ALL CAPACITORS IN MFD UNLESS NOTED
 ALL DIODES IN 4148 UNLESS NOTED
 ALL VOLTAGE MEASUREMENTS ARE REF. TO GND.

CHASSIS INPUT OUTPUT

CIRCUITRY PROTECTED UNDER U.S. PATENT NOS. 4,349,788 (T.M.) AND 4,316,053 (D.T.)

CS-800
 C-SERIES

REVISED 07/3/84
 PEAVEY ELECTRONICS CORP.
 MERIDIAN, MS
 DRAWN BY
 C.B. CHAN
 DATE 7-18-77
 APPR BY

COPYRIGHT 1981 PRINTED IN U.S.A.

P/N 81510052

