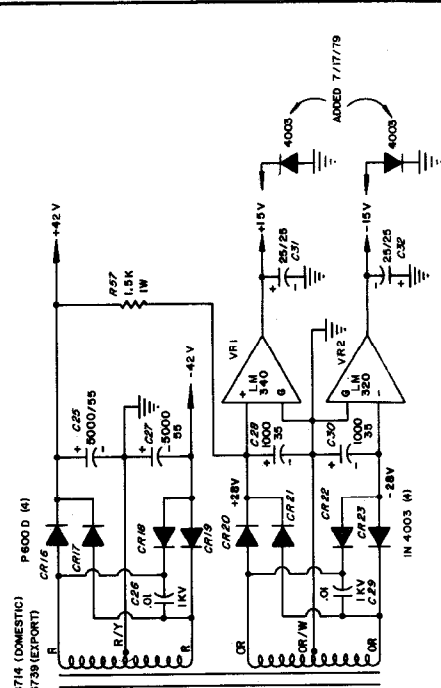
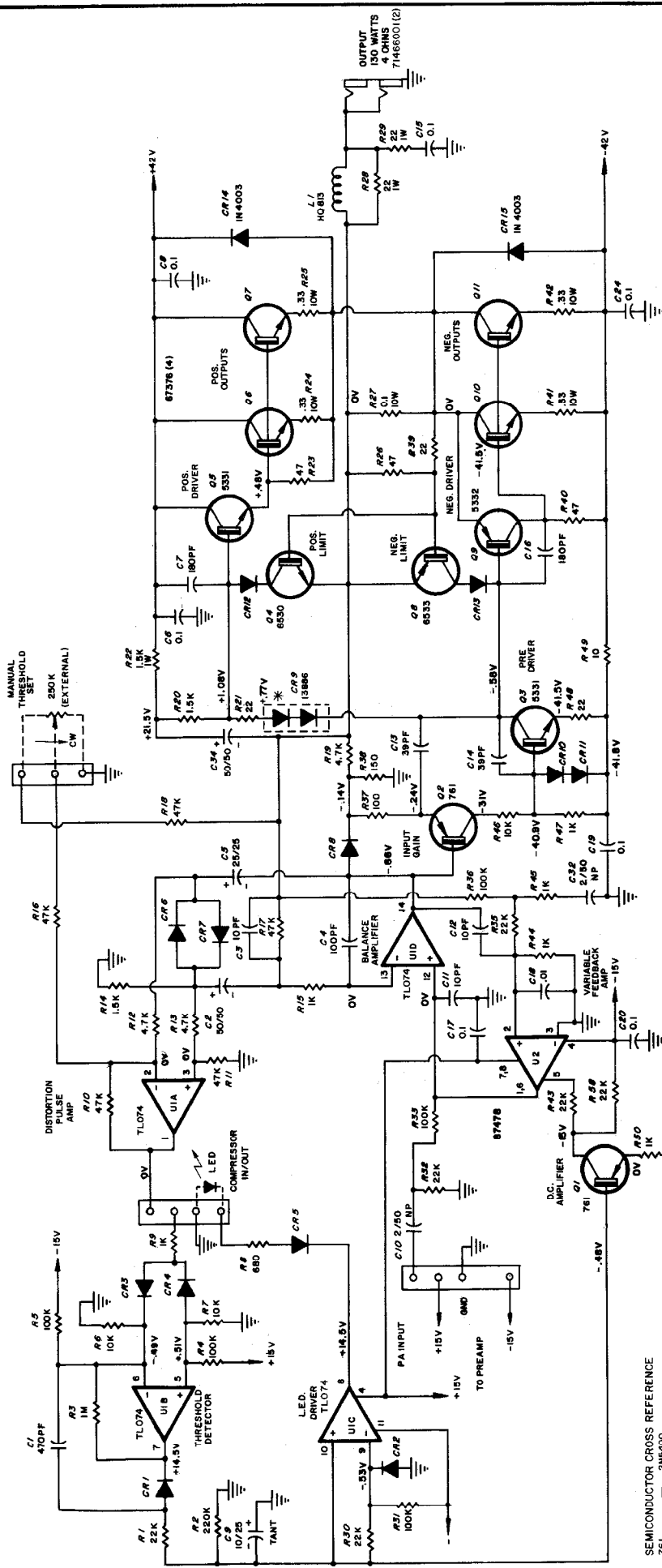


NOTES
 ALL CAPACITORS IN MFD UNLESS NOTED
 ALL RESISTORS IN Ω UNLESS NOTED
 ALL DIODES IN 4148 UNLESS NOTED (1A 200 PIV)
 LAST REF. DESIGNATOR USED:
 R 87
 C 64
 CR 17
 U 7
 Q 2
 ALL POTS ARE LINEAR UNLESS NOTED

CENTURION
 PREAMP

PEAVEY ELECTRONICS CORP.
 MERIDIAN, MS.
 DRAWN BY: *[Signature]* DATE: 12-7-78
 C.B. CK: *[Signature]*
 APF: BY: *[Signature]* 72-23-78



- SEMICONDUCTOR CROSS REFERENCE
- 761 — 2N940D
 - 5331 — MJE 243
 - 6530 — MJE 242
 - 6533 — 2N3662
 - 67376 — 2N3638
 - LM320 — 2N3773
 - LM340 — 79M15C
 - 13886 — MZ2361
- UNLESS OTHERWISE NOTED:
 ALL DIODES ARE IN4000
 ALL CAPACITORS ARE IN MFD
 ALL RESISTORS ARE IN MΩ
 *ATTACHED TO H.S.
 *ATTACHED TO H.S.
 BUILT UNDER U.S. PATENT NOS. 4,318,053
 AND 4,349,788
 **ATTACHED TO 67376 TRANSISTOR

260C

P/N 81505057

REVISED 8/11/86
 PEAVEE ELECTRONICS CORP.
 MERIDIAN MS
 DRAWN BY DATE 8.30.78
 CK BY 8-20-77
 APPR BY 8-20-77

COPYRIGHT 1980 PEAVEE ELECTRONICS CORP. PRINTED IN U.S.A.

