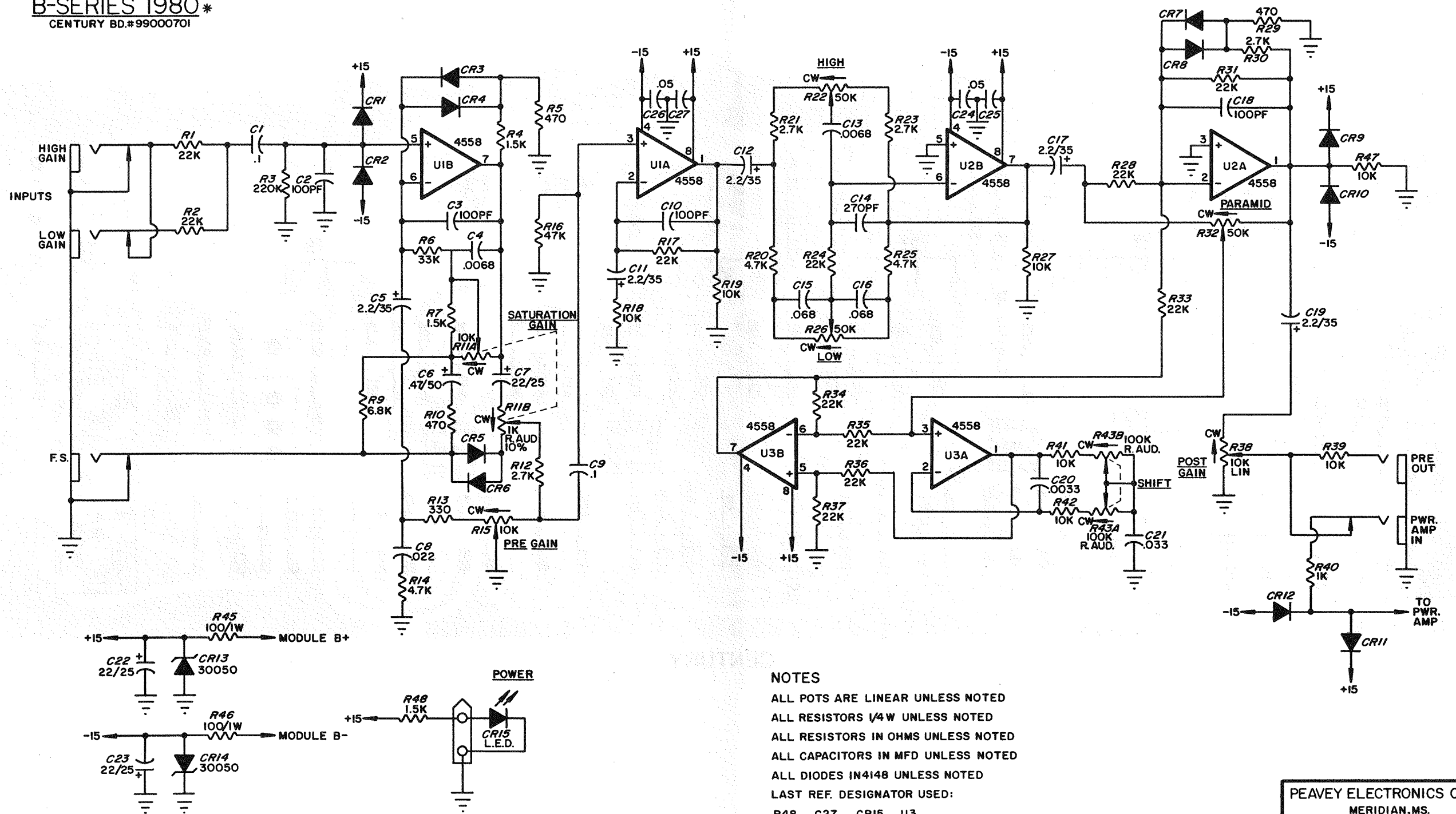


CENTURY
B-SERIES 1980*
CENTURY BD.#99000701



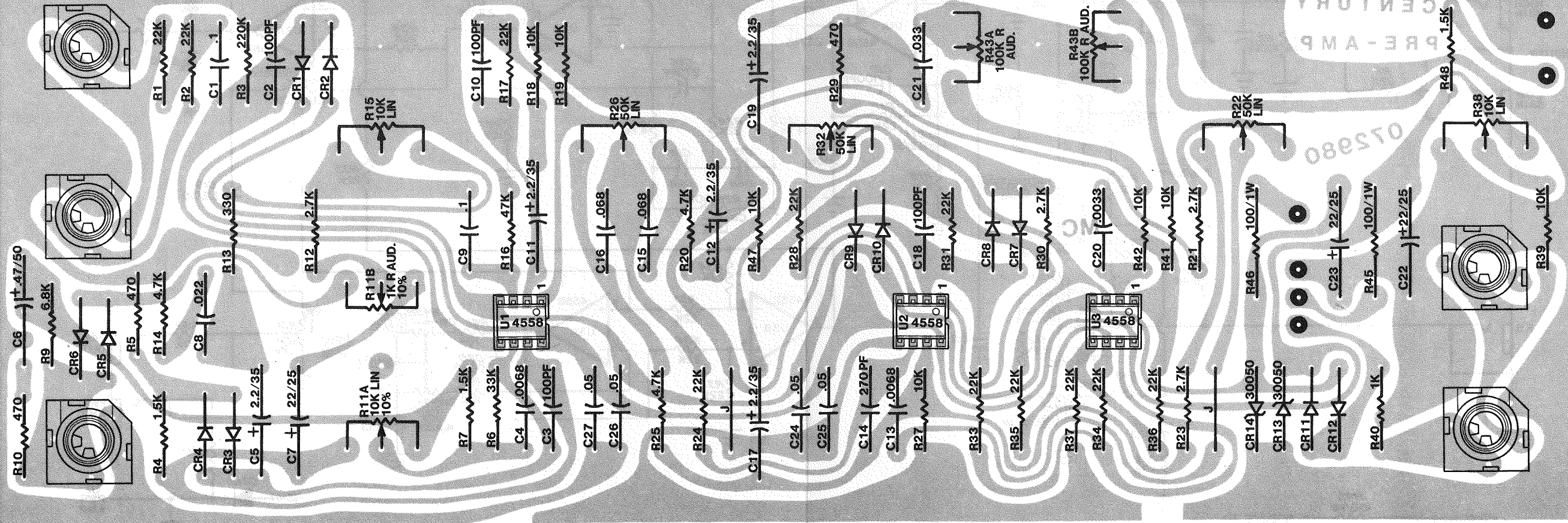
NOTES
 ALL POTS ARE LINEAR UNLESS NOTED
 ALL RESISTORS 1/4W UNLESS NOTED
 ALL RESISTORS IN OHMS UNLESS NOTED
 ALL CAPACITORS IN MFD UNLESS NOTED
 ALL DIODES IN4148 UNLESS NOTED
 LAST REF. DESIGNATOR USED:
 R48 C27 CR15 U3
 * USED WITH 200H MODULE

PEAVEY ELECTRONICS CORP. MERIDIAN, MS.	
DRAWN BY <i>RBA</i>	DATE 9-22-80
C.B. CHECK <i>RBA</i>	
CHECK BY <i>[Signature]</i>	
APPR. BY <i>[Signature]</i>	

98000201

CENTURY
PRE-AMP

02580



CENTURY

NOTES
 1. ALL PARTS ARE LISTED IN THE PARTS LIST.
 2. ALL RESISTORS ARE 1% TOLERANCE UNLESS OTHERWISE SPECIFIED.
 3. ALL CAPACITORS ARE 5% TOLERANCE UNLESS OTHERWISE SPECIFIED.
 4. ALL DIODES ARE 1N4148 UNLESS OTHERWISE SPECIFIED.
 5. ALL OPERATIONAL AMPLIFIERS ARE 4558 UNLESS OTHERWISE SPECIFIED.
 6. ALL JACKS ARE 1/8" STEREO UNLESS OTHERWISE SPECIFIED.
 7. ALL DIMENSIONS ARE IN INCHES UNLESS OTHERWISE SPECIFIED.
 8. ALL DIMENSIONS ARE TO CENTER UNLESS OTHERWISE SPECIFIED.
 9. ALL DIMENSIONS ARE TO DIMENSION LINES UNLESS OTHERWISE SPECIFIED.
 10. ALL DIMENSIONS ARE TO DIMENSION POINTS UNLESS OTHERWISE SPECIFIED.