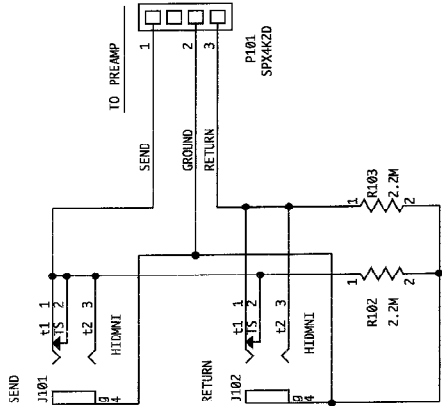




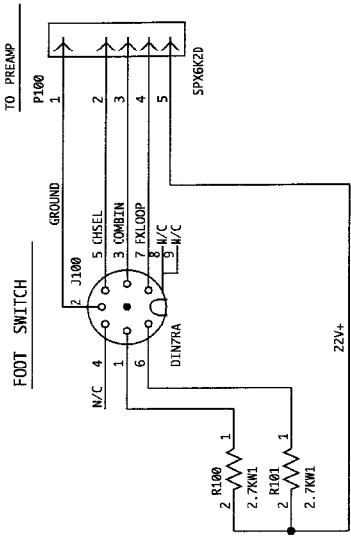
BOARD NAME: CLASSIC400 PWR SUPPLY

QTY.	PART NAME	VALUE	PART NUMBER	DESCRIPTION AND DEVICE DESIGNATIONS
6	470V400	470V400	70320278	470 MFD 400 VDC VERT. SNAP-IN
1	.01CD	.01CD	70320248	C103, C101, C102, C104, C115, C106
1	330V350	330V350	70320169	.01MF-20%-1000VDC-CD-T&A
1	100V350	100V350	70320130	330 MFD 350 VDC VERT. SNAP-IN
1	330V350	330V350	70320169	100 MFD 350VDC RADIAL SNAP-IN
1	100V350	100V350	70320130	330 MFD 350 VDC VERT. SNAP-IN
1	1000R35	1000R35	70320186	100 MFD 350VDC RADIAL SNAP-IN
1	4700R35	4700R35	70350200	100MF-20%-35VDC-EL-T&A
1	22A25	22A25	70320C12	C112
1	.01CD	.01CD	70320248	4703 MFE 35VDC RADIAL SNAP-IN
1	1000R35	1000R35	70320186	C113
1	22A25	22A25	70320C12	22MFD +/-20% 25VDC EL AXL
1	.01CD	.01CD	70320248	C114
1	1000R35	1000R35	70320186	C115
1	22A25	22A25	70320C12	100MF-20%-35VDC-EL-T&A
1	100V350	100V350	70320130	C116
1	220A100	220A100	70320C17	C117
4	.01CD2KV	.01CD2KV	70320288	100 MFD 350VDC RADIAL SNAP-IN
1	.01CD	.01CD	70320248	220 MFD 100VDC LYTIC CAP
6	1N4007	1N4007	70464C07	.01 MFD 2KVDC CD UNCUT
2	1N4003	1N4003	70464C03	C121, C122, C123, C124
1	30050	30050	70430C50	.01MF-20%-1000VDC-CD-T&A
1	1N4003	1N4003	70464C03	C125
1	30050	30050	70430C50	1N4007 1KV, 1A, SILICON DIODE
2	1N4003	1N4003	70464C03	CR100, CR101, CR102, CR103, CR104, CR105
1	30050	30050	70430C50	1N4003 200V SILICON DIODE
2	1N4003	1N4003	70464C03	CR106, CR107
14	CUF1183	CUF1183	70901183	SZP30050 16V 1 WATT 5% ZENER DIODE T&R
1	SPDU	73716194	73716194	CR108
1	MPPU	73711812	73711812	1N4003 200V SILICON DIODE
1	FMPU	73711811	73711811	CR109
1	MPPU	73711812	73711812	SZP30050 16V 1 WATT 5% ZENER DIODE T&R
1	FMPU	73711811	73711811	CR110
4	MPPU	73711812	73711812	1N4003 200V SILICON DIODE
2	FMPU	73711811	73711811	CR111, CR112
1	MPPU	73711812	73711812	FUSECLIF, PC MT - T&A
2	FMPU	73711811	73711811	FC100, FC101, FC104, FC105, FC106,
1	MPPU	73711812	73711812	FC107, FC108, FC109, FC110, FC111,
2	FMPU	73711811	73711811	FC112, FC113, FC114, FC115
1	MPPU	73711812	73711812	.250 PC MNT SPADE .093 PCB
2	FMPU	73711811	73711811	J100
1	MPPU	73711812	73711812	R93-12 FN C.B. MALE MOLEX PIN
2	FMPU	73711811	73711811	J101
1	MPPU	73711812	73711812	M118-171 C.B. FEMALE MOLEX PIN
2	FMPU	73711811	73711811	J102
1	MPPU	73711812	73711812	R93-12 FN C.B. MALE MOLEX PIN
2	FMPU	73711811	73711811	J103
1	MPPU	73711812	73711812	M118-171 C.B. FEMALE MOLEX PIN
2	FMPU	73711811	73711811	J104
1	MPPU	73711812	73711812	R93-12 FN C.B. MALE MOLEX PIN
2	FMPU	73711811	73711811	J105
1	MPPU	73711812	73711812	M118-171 C.B. FEMALE MOLEX PIN
2	FMPU	73711811	73711811	J106
1	MPPU	73711812	73711812	R93-12 FN C.B. MALE MOLEX PIN
2	FMPU	73711811	73711811	J107
1	MPPU	73711812	73711812	M118-171 C.B. FEMALE MOLEX PIN
2	FMPU	73711811	73711811	J108
1	MPPU	73711812	73711812	R93-12 FN C.B. MALE MOLEX PIN
2	FMPU	73711811	73711811	J109
1	MPPU	73711812	73711812	M118-171 C.B. FEMALE MOLEX PIN
2	FMPU	73711811	73711811	J110
1	MPPU	73711812	73711812	R93-12 FN C.B. MALE MOLEX PIN
2	FMPU	73711811	73711811	J111
1	MPPU	73711812	73711812	M118-171 C.B. FEMALE MOLEX PIN
2	FMPU	73711811	73711811	J112
1	MPPU	73711812	73711812	R93-12 FN C.B. MALE MOLEX PIN
2	FMPU	73711811	73711811	J113
1	MPPU	73711812	73711812	M118-171 C.B. FEMALE MOLEX PIN
2	FMPU	73711811	73711811	J114
1	MPPU	73711812	73711812	R93-12 FN C.B. MALE MOLEX PIN
2	FMPU	73711811	73711811	J115
1	MPPU	73711812	73711812	M118-171 C.B. FEMALE MOLEX PIN
2	FMPU	73711811	73711811	J116
1	MPPU	73711812	73711812	R93-12 FN C.B. MALE MOLEX PIN
2	FMPU	73711811	73711811	J117
1	MPPU	73711812	73711812	M118-171 C.B. FEMALE MOLEX PIN
2	FMPU	73711811	73711811	J118
1	MPPU	73711812	73711812	R93-12 FN C.B. MALE MOLEX PIN
2	FMPU	73711811	73711811	J119
1	MPPU	73711812	73711812	M118-171 C.B. FEMALE MOLEX PIN
2	FMPU	73711811	73711811	J120
1	MPPU	73711812	73711812	R93-12 FN C.B. MALE MOLEX PIN
2	FMPU	73711811	73711811	J121
1	MPPU	73711812	73711812	M118-171 C.B. FEMALE MOLEX PIN
2	FMPU	73711811	73711811	J122
1	MPPU	73711812	73711812	R93-12 FN C.B. MALE MOLEX PIN
2	FMPU	73711811	73711811	J123
1	MPPU	73711812	73711812	M118-171 C.B. FEMALE MOLEX PIN
2	FMPU	73711811	73711811	J124
1	MPPU	73711812	73711812	R93-12 FN C.B. MALE MOLEX PIN
2	FMPU	73711811	73711811	J125
1	MPPU	73711812	73711812	M118-171 C.B. FEMALE MOLEX PIN
2	FMPU	73711811	73711811	J126
1	MPPU	73711812	73711812	R93-12 FN C.B. MALE MOLEX PIN
2	FMPU	73711811	73711811	J127
1	MPPU	73711812	73711812	M118-171 C.B. FEMALE MOLEX PIN
2	FMPU	73711811	73711811	J128
1	MPPU	73711812	73711812	R93-12 FN C.B. MALE MOLEX PIN
2	FMPU	73711811	73711811	J129
1	MPPU	73711812	73711812	M118-171 C.B. FEMALE MOLEX PIN
2	FMPU	73711811	73711811	J130
1	MPPU	73711812	73711812	R93-12 FN C.B. MALE MOLEX PIN
2	FMPU	73711811	73711811	J131
1	MPPU	73711812	73711812	M118-171 C.B. FEMALE MOLEX PIN
2	FMPU	73711811	73711811	J132
1	MPPU	73711812	73711812	R93-12 FN C.B. MALE MOLEX PIN
2	FMPU	73711811	73711811	J133
1	MPPU	73711812	73711812	M118-171 C.B. FEMALE MOLEX PIN
2	FMPU	73711811	73711811	J134
1	MPPU	73711812	73711812	R93-12 FN C.B. MALE MOLEX PIN
2	FMPU	73711811	73711811	J135
1	MPPU	73711812	73711812	M118-171 C.B. FEMALE MOLEX PIN
2	FMPU	73711811	73711811	J136
1	MPPU	73711812	73711812	R93-12 FN C.B. MALE MOLEX PIN
2	FMPU	73711811	73711811	J137
1	MPPU	73711812	73711812	M118-171 C.B. FEMALE MOLEX PIN
2	FMPU	73711811	73711811	J138
1	MPPU	73711812	73711812	R93-12 FN C.B. MALE MOLEX PIN
2	FMPU	73711811	73711811	J139
1	MPPU	73711812	73711812	M118-171 C.B. FEMALE MOLEX PIN
2	FMPU	73711811	73711811	J140
1	MPPU	73711812	73711812	R93-12 FN C.B. MALE MOLEX PIN
2	FMPU	73711811	73711811	J141
1	MPPU	73711812	73711812	M118-171 C.B. FEMALE MOLEX PIN
2	FMPU	73711811	73711811	J142
1	MPPU	73711812	73711812	R93-12 FN C.B. MALE MOLEX PIN
2	FMPU	73711811	73711811	J143
1	MPPU	73711812	73711812	M118-171 C.B. FEMALE MOLEX PIN
2	FMPU	73711811	73711811	J144
1	MPPU	73711812	73711812	R93-12 FN C.B. MALE MOLEX PIN
2	FMPU	73711811	73711811	J145
1	MPPU	73711812	73711812	M118-171 C.B. FEMALE MOLEX PIN
2	FMPU	73711811	73711811	J146
1	MPPU	73711812	73711812	R93-12 FN C.B. MALE MOLEX PIN
2	FMPU	73711811	73711811	J147
1	MPPU	73711812	73711812	M118-171 C.B. FEMALE MOLEX PIN
2	FMPU	73711811	73711811	J148
1	MPPU	73711812	73711812	R93-12 FN C.B. MALE MOLEX PIN
2	FMPU	73711811	73711811	J149
1	MPPU	73711812	73711812	M118-171 C.B. FEMALE MOLEX PIN
2	FMPU	73711811	73711811	J150
1	MPPU	73711812	73711812	R93-12 FN C.B. MALE MOLEX PIN
2	FMPU	73711811	73711811	J151
1	MPPU	73711812	73711812	M118-171 C.B. FEMALE MOLEX PIN
2	FMPU	73711811	73711811	J152
1	MPPU	73711812	73711812	R93-12 FN C.B. MALE MOLEX PIN
2	FMPU	73711811	73711811	J153
1	MPPU	73711812	73711812	M118-171 C.B. FEMALE MOLEX PIN
2	FMPU	73711811	73711811	J154
1	MPPU	73711812	73711812	R93-12 FN C.B. MALE MOLEX PIN
2	FMPU	73711811	73711811	J155
1	MPPU	73711812	73711812	M118-171 C.B. FEMALE MOLEX PIN
2	FMPU	73711811	73711811	J156
1	MPPU	73711812	73711812	R93-12 FN C.B. MALE MOLEX PIN
2	FMPU	73711811	73711811	J157
1	MPPU	73711812	73711812	M118-171 C.B. FEMALE MOLEX PIN
2	FMPU	73711811	73711811	J158
1	MPPU	73711812	73711812	R93-12 FN C.B. MALE MOLEX PIN
2	FMPU	73711811	73711811	J159
1	MPPU	73711812	73711812	M118-171 C.B. FEMALE MOLEX PIN
2	FMPU	73711811	73711811	J160
1	MPPU	73711812	73711812	R93-12 FN C.B. MALE MOLEX PIN
2	FMPU	73711811	73711811	J161
1	MPPU	73711812	73711812	M118-171 C.B. FEMALE MOLEX PIN
2	FMPU	73711811	73711811	J162
1	MPPU	73711812	73711812	R93-12 FN C.B. MALE MOLEX PIN
2	FMPU	73711811	73711811	J163
1	MPPU	73711812	73711812	M118-171 C.B. FEMALE MOLEX PIN
2	FMPU	73711811	73711811	J164
1	MPPU	73711812	73711812	R93-12 FN C.B. MALE MOLEX PIN
2	FMPU	73711811	73711811	J165
1	MPPU	73711812	73711812	M118-171 C.B. FEMALE MOLEX PIN
2	FMPU	73711811	73711811	J166
1	MPPU	73711812	73711812	R93-12 FN C.B. MALE MOLEX PIN
2	FMPU	73711811	73711811	J167
1	MPPU	73711812	73711812	M118-171 C.B. FEMALE MOLEX PIN
2	FMPU	73711811	73711811	J168
1	MPPU	73711812	73711812	R93-12 FN C.B. MALE MOLEX PIN
2	FMPU	73711811	73711811	J169
1	MPPU	73711812	73711812	M118-171 C.B. FEMALE MOLEX PIN
2	FMPU	73711811	73711811	J170
1	MPPU	73711812	73711812	R93-12 FN C.B. MALE MOLEX PIN
2	FMPU	73711811	73711811	J171
1	MPPU	73711812	73711812	M118-171 C.B. FEMALE MOLEX PIN
2	FMPU	73711811	73711811	J172
1	MPPU			

POST EQ EFFECTS LOOP



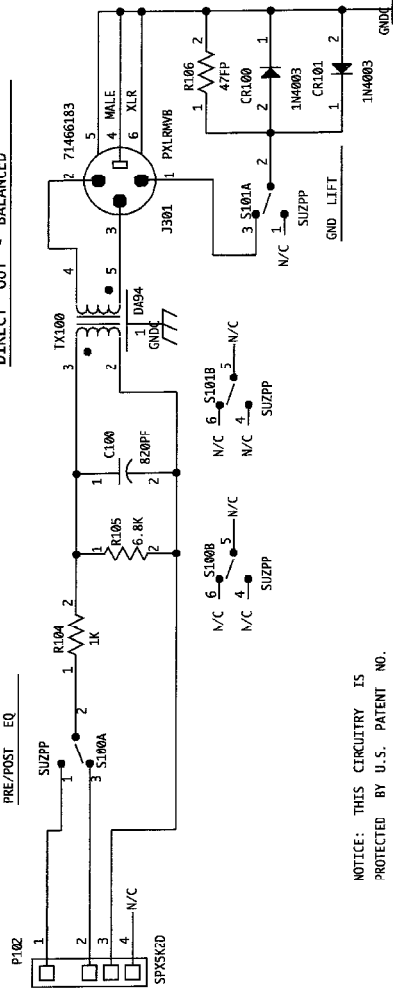
FOOT SWITCH



TO PREAMP

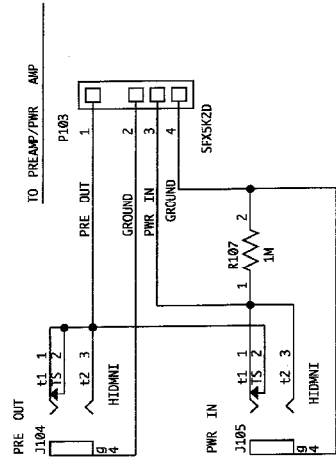
PRE/POST EQ

DIRECT OUT - BALANCED



NOTICE: THIS CIRCUITRY IS PROTECTED BY U.S. PATENT NO. 5,197,102 OWNED BY PEAVEY ELECTRONICS CORP. USE OR COPYING WITHOUT EXPRESS WRITTEN AUTHORITY FROM PEAVEY IS STRICTLY FORBIDDEN AND VIOLATORS WILL BE PROSECUTED TO THE FULLEST EXTENT ALLOWED UNDER U.S. PATENT LAWS.

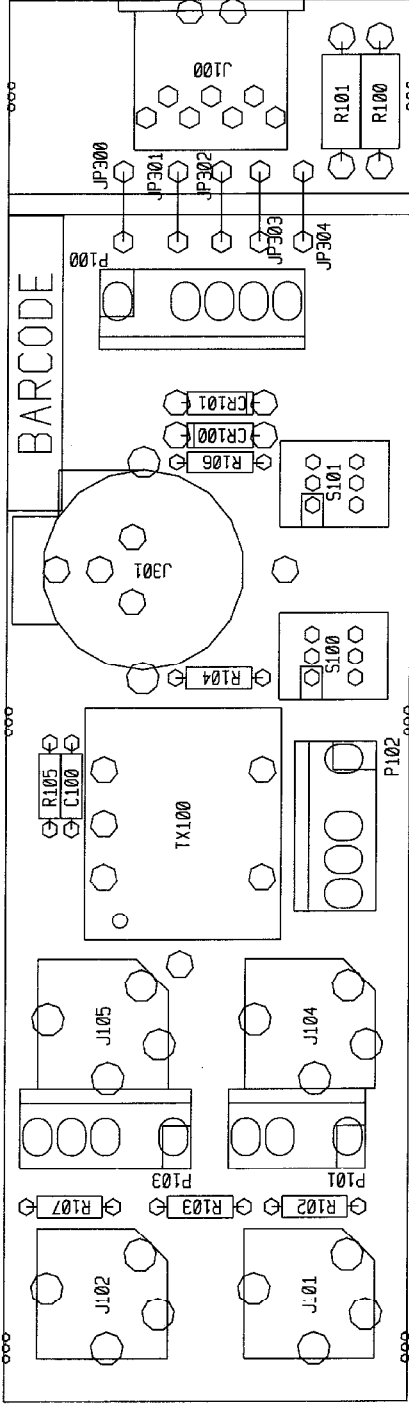
PREAMP/POWER AMP IN



PEAVEY ELECTRONICS CORP.  
711 A STREET  
MERIDIAN, MISSISSIPPI 39901

CLASSIC 400, PATCH BOARD

TITLE	CLASSIC 400, PATCH BOARD		
SIZE	CODE	NUMBER	REV
B			A
PRINT	#81500041		
DATE	7-MAR-96	SHEET	1 OF 1

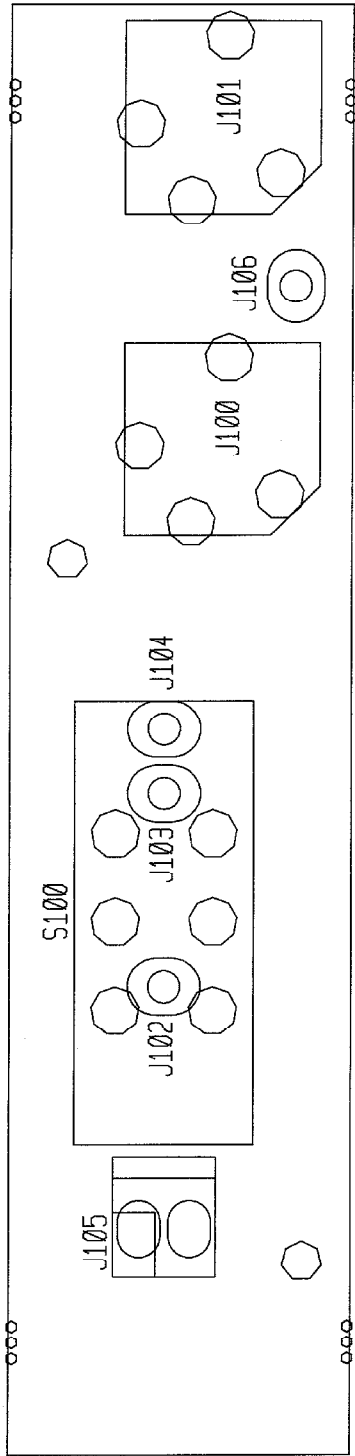


# CLASSIC 400 PATCH

BOARD NAME: CLASSIC400 PATCH

QTY.	NAME	VALUE	PART NUMBER	DESCRIPTION AND DEVICE DESIGNATIONS
1	820PF	820PF	70340062	820PF--10%--50VDC--T/C--T&R
2	1N4003	1N4003	70464003	C100 1N4003 200V SILICON DIODE
1	DIN7RA	71466226	71466226	CR100, CR101 CONN 7P R/A PCMNT DIN W/ 4 MNT. HOLES
4	HIDMNI	71466214	71466214	J100 2 TIP HID JACK MINS W/SPD
1	PX_RWVB	71466183	71466183	J101, J102, J104, J105 XLB CONN VERT MALE W/BRKT
1	SPX6K2D	SPX6E2D	XXXXXXX	J301 5 EACH OF STAKED PINS
1	SPX4K2D	SPX4K2D	XXXXXXX	P100 3 EACH OF STAKE PINS
2	SPX5K2D	SPX5K2D	73717003	P101 4 EACH OF STAKED PINS
2	2.7KW1	2.7KW1	70210016	P102, P103 2.7K--1W--5%--MO--T&R
2	2.2M	2.2M	70240040	R100, R101 2.2M--1/4W--5%--CF--T&R
1	1K	1K	70240017	R102, R103 1K--1/4W--5%--CF--T&R
1	6.8K	6.8K	70240024	R104 6.8K--1/4W--5%--CF--T&R
1	47FP	47FP	70240090	R105 47FP--1/4W--5%--FP--T&R
1	1M	1M	70240039	R106 1M--1/4W--5%--CF--T&R
2	SUZPP	SUZPP?	71322251	R107 SUZ P/P SWITCH FC MOUNT
1	DA94	DA94	70500094	S100, S101 OUTPUT TRANSFORMER
				TX100





# CLASSIC 400 SPEAKER OUTPUT BOARD

BOARD NAME: CL400 OUTPUT

QTY.	NAME	VALUE	PART NUMBER	DESCRIPTION AND DEVICE DESIGNATIONS
2	HIDMNI	71466214	71466214	2 TIP HID JACK NINS W/SPD J100, J101
3	MMPD	73711812	73711812	R93-12 PN C.B. MALE MOLEX PIN J102, J103, J104
1	SPX2	SPX2	XXXXXXX	2 EACH OF STAKE PINS J105
1	MMPD	73711812	73711812	R93-12 PN C.B. MALE MOLEX PIN J106
1	SSW2231	SSW2231	71322231	DPDT SLIDE SW 1Q LEAD S100

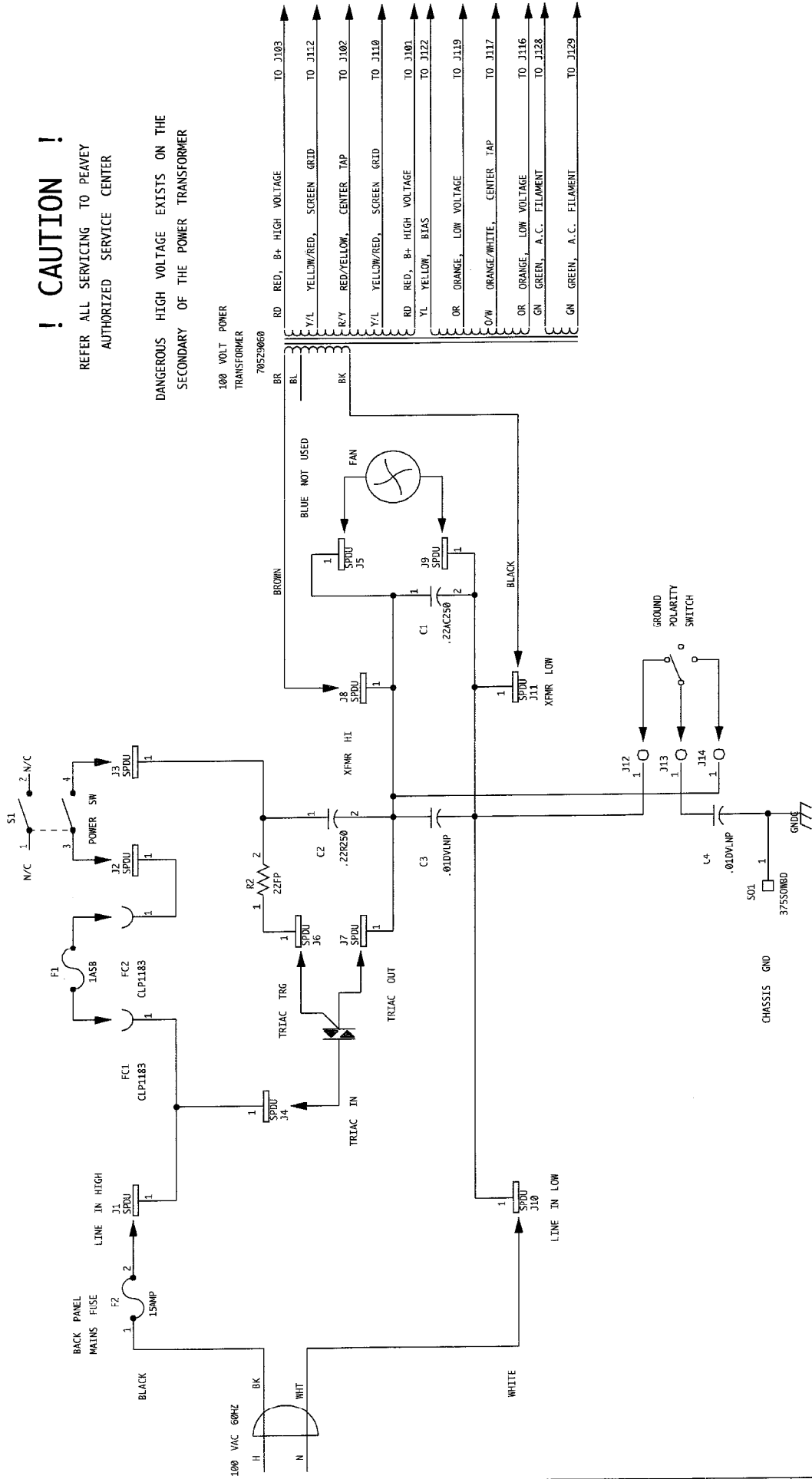
\*\*\*\*\*



# ! CAUTION !

REFER ALL SERVICING TO PEAVEY  
AUTHORIZED SERVICE CENTER

DANGEROUS HIGH VOLTAGE EXISTS ON THE  
SECONDARY OF THE POWER TRANSFORMER



PEAVEY ELECTRONICS CORP. 711 A STREET MERIDIAN, MISSISSIPPI 39001	
TITLE	
CLASSIC 400 100 VOLT PRIMARY	
SIZE CODE NUMBER	REV
B #81500041	A
PRINT DATE	SHEET
24-APR-96	1 OF 1



BOARD NAME: CLASSIC400AC

PART PART

\* QTY. NAME VALUE NUMBER DESCRIPTION AND

\*\*\*\*\* DEVICE DESIGNATIONS \*\*\*\*\*

\*\*\*\*\*

1 .22AC250 .22AC250 7032J161 .22 mHG 20% 250vac mv r/a

C1

1 .22R250 .22R250 7032J129 .22MFD 10% 250V MY R/W

C2

2 .01DVLNP .01DVLNP 7032J104 .01 MFD 125VDC DVL MYLAR +0-20%

C3, C4

2 CLP1183 CLP1183 7090J183 FUSECLIP, PC MT - T&A

F1, F2

11 SPDU 73716194 73716194 .250 PC MNT SPADE .093 PCB

J1, J2, J3, J4, J5, J6, J7, J8, J9, J10, J11

3 RMPU 73711811 73711811 M118-171 C.B. FEMALE MOLEX PIN

J12, J13, J14

1 22FP 22FP 7024J100 22FP-1/4W-5%—FP—

R2

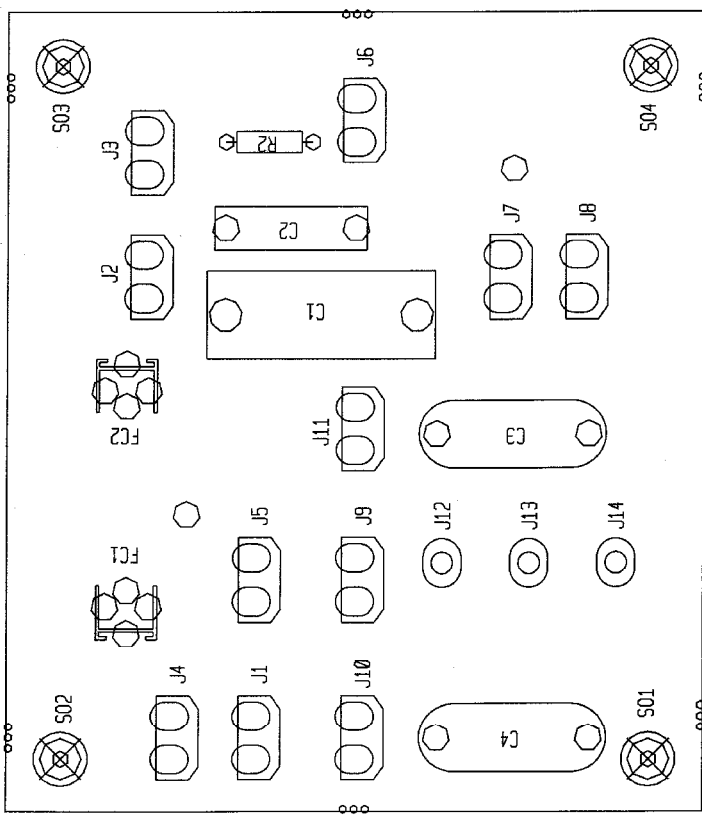
1 375SOWED 7090J779 7090J779 SPACER, 3/8,R(#4),.187 SWAGE BRASS

SO1

3 375SOWID 7090J295 7090J295 SPACER, 3/8,R(#4),.187 SWAGE ALUM.

SO2, SO3, SO4

\*\*\*\*\*



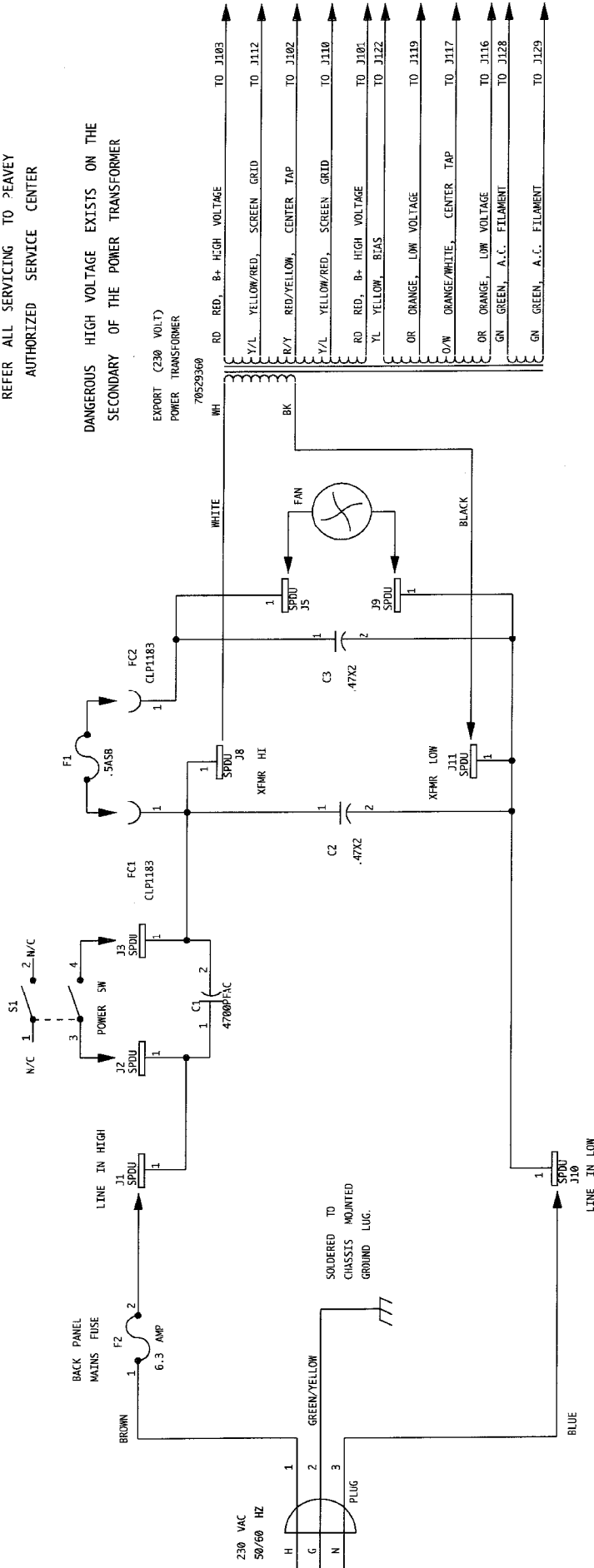
# CLASSIC 400 AC PRIMARY (DOMESTIC)

# ! CAUTION !

REFER ALL SERVICING TO PEAVEY  
AUTHORIZED SERVICE CENTER

DANGEROUS HIGH VOLTAGE EXISTS ON THE  
SECONDARY OF THE POWER TRANSFORMER

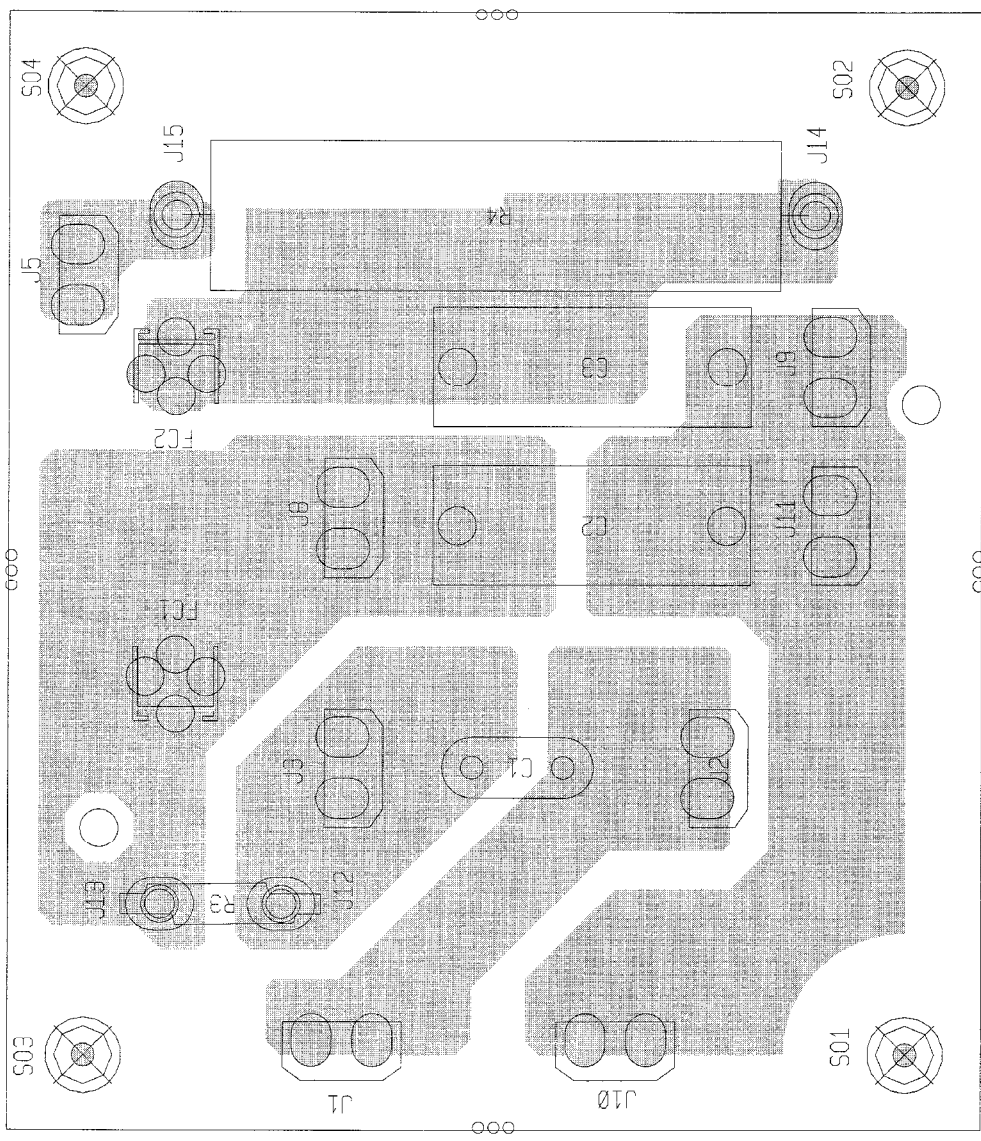
EXPORT (230 VOLT)  
POWER TRANSFORMER  
70529360



PEAVEY ELECTRONICS CORP. 711 A STREET MEMPHIS, MISSISSIPPI 39301	
TITLE CLASSIC 400 PRIMARY EXPORT	
SIZE B	CODE NUMBER #81300041
PRINT DATE 24-APR-96	REV A
SHEET 1 OF 1	

BOARD NAME: CL400EXP

QTY.	NAME	VALUE	PART NUMBER	DESCRIPTION AND DEVICE DESIGNATIONS
1	4700PFAC	4700PFAC	70320114	4700PF 400VAC EXP LINE CAP X
2	.47X2	.47X2	70320271	.47MF-20%-275VAC-MP-R/W
2	CLP1183	CLP1183	70901183	FUSECLIP, PC MP - T&A
8	SPDU	73716194	73716194	FCL, FC2
2	MMFU	73711812	73711812	.250 FC MNT SPADE .093 PCB
2	FMPU	73711811	73711811	J1, J2, J3, J5, J8, J9, J10, J11
1	CL30	CL30	70240202	R93-12 FN C.B. MALE MOLEX PIN
1	2.8KW15	2.8KW15	70250082	J12, J13
4	375SOWD	70900295	70900295	M116-171 C.B. FEMALE MOLEX PIN
				J14, J15
				INRUSH CURRENT LIMITER
				R3
				2800 15W 10% WW AXL
				R4
				SPACER 3/8,R(#4),.187 SWAGE ALUM.
				S01, S02, S03, S04



CLASSIC 400 EXPORT AC