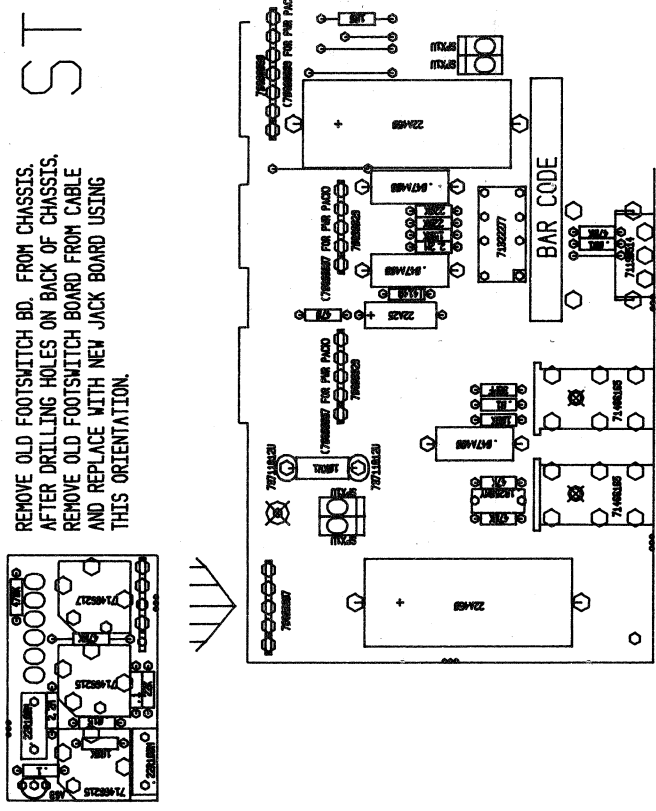


CLASSIC 50 EFX RETRO KIT INSTRUCTIONS

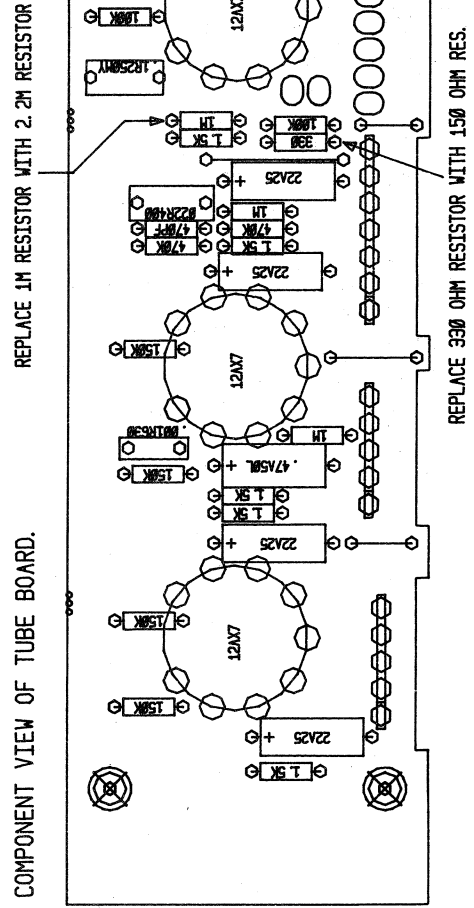
1. Disconnect from the AC source, then remove the chassis from the cabinet. Remove the original footswitch board and desolder it from the ribbon cable. Then, using the provided template (not an inaccurate photo-copy) and a 13/32" drill bit, center punch and drill the additional Jack holes above and below the existing remote footswitch hole (a 3/8" bit will work, but may be a little tight). Clean away any burrs.
2. Solder the Retro board onto the ribbon cable, using the orientation shown in the drawing labelled 'Step 1'. Then install the board into the chassis so that the ribbon is toward the opening in the chassis. Apply the appropriate sticker over the existing 'Remote Switch' screening, making sure that the NEW 'Remote Switch' screening is in the correct location--next to the noninsulated Jack.

STEP 1

REMOVE OLD FOOTSWITCH BD. FROM CHASSIS. AFTER DRILLING HOLES ON BACK OF CHASSIS, REMOVE OLD FOOTSWITCH BOARD FROM CABLE AND REPLACE WITH NEW JACK BOARD USING THIS ORIENTATION.

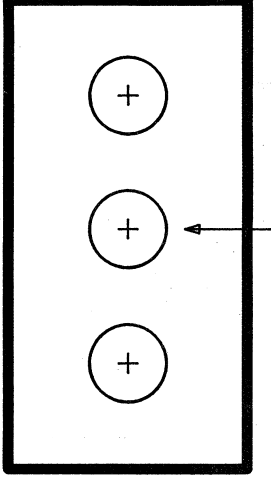


STEP 2



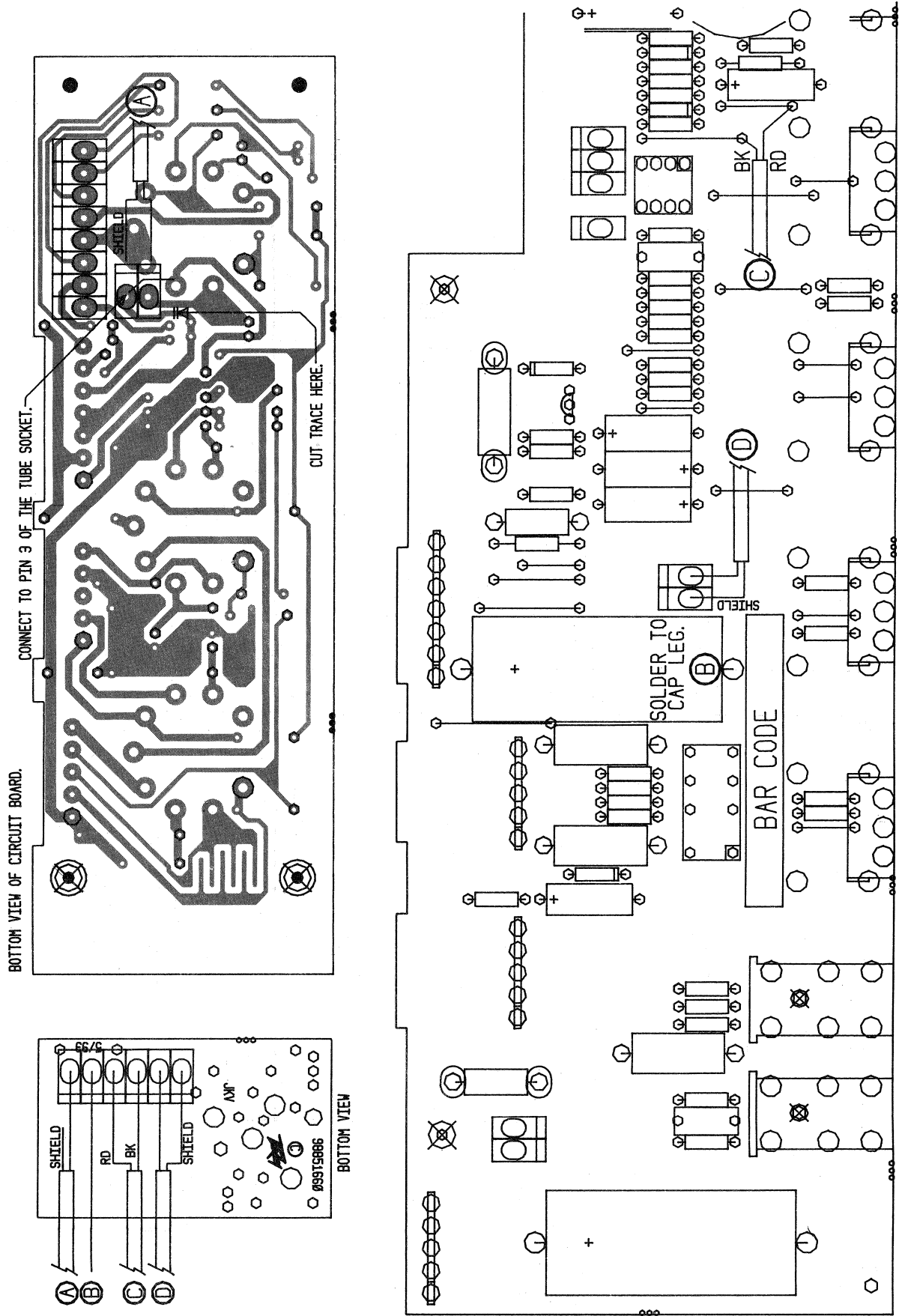
3. On the preamp tube board, replace the 1M resistor with a 2.2M, and replace the 330 ohm with a 150 ohm, as shown in 'Step 2'. Cut the ground trace connected to the shielded cable pin on the solder side of the preamp tube board and solder it to pin 3 of the tube socket, as shown in 'Step 3' using a small piece of wire.
4. Plug the 6 pin connector of the cable assembly onto the back of the Retro board, with the wires AWAY from the tube board, as shown in 'Step 3'. Plug cables 'A' and 'D' onto connectors 'A' on the tube board and 'D' on the main board, after having first removed the short shielded cable between connectors 'A' and 'D'.
5. Solder the wire labelled 'B' to the capacitor's leg on the main board. See drawing 'Step 3'. Then solder the Red and Black wires of cable 'C' to the appropriate jumpers on the main board, as shown in 'Step 3'.

DRILL TEMPLATE FOR ADDING EFX. BOARD TO CHASSIS. DRILL HOLES 13/32".

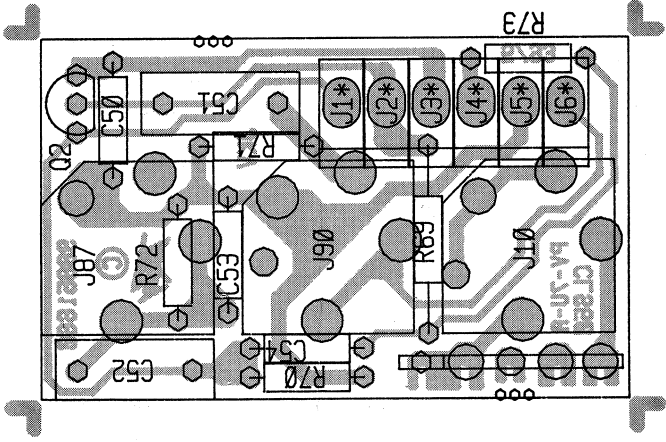
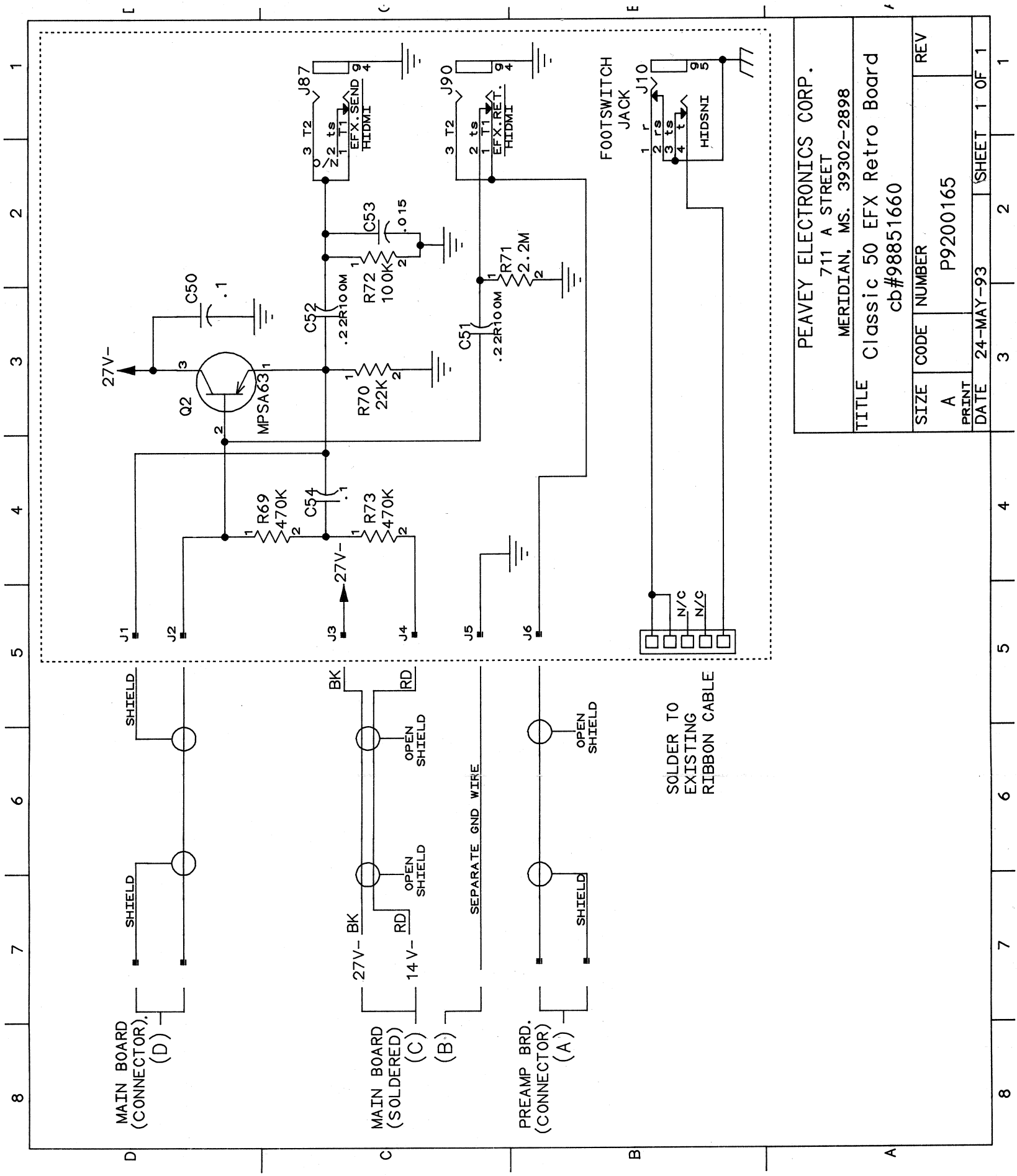


EXISTING REMOTE SWITCH HOLE.

RETRO BD. WIRING DIAGRAM. STEP 3



WARNING.... Installation of this kit exposes the installer to electrical shock hazards. ONLY qualified Service Personnel should attempt this update. Updates to 'In Warranty' products must be performed by Authorized Dealers or Service Centers to preserve warranty status. Warranty is void if installed improperly or by unauthorized sources. Any questions or problems regarding this kit or the installation thereof, please do not hesitate to contact the Repair Assistance Dept. here at the factory. Our phone number is (601) 483-5365.



PEAVEY ELECTRONICS CORP. 711 A STREET MERIDIAN, MS. 39302-2898	
TITLE Classic 50 EFX Retro Board cb#98851660	
SIZE	REV
CODE	
NUMBER	
A	P9200165
PRINT	
DATE	
24-MAY-93	SHEET 1 OF 1

1 2 3 4 5 6 7 8

A B C D