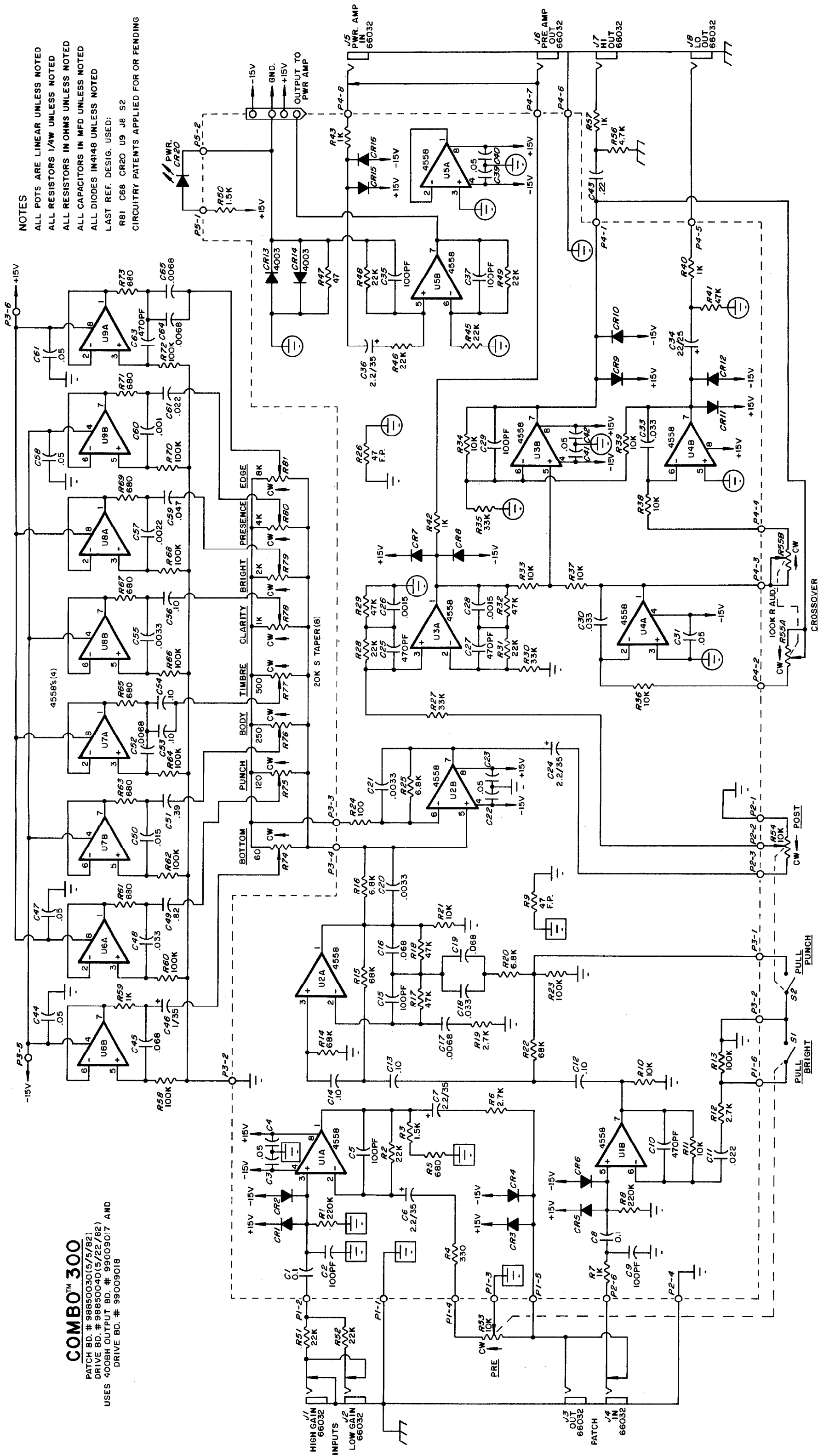


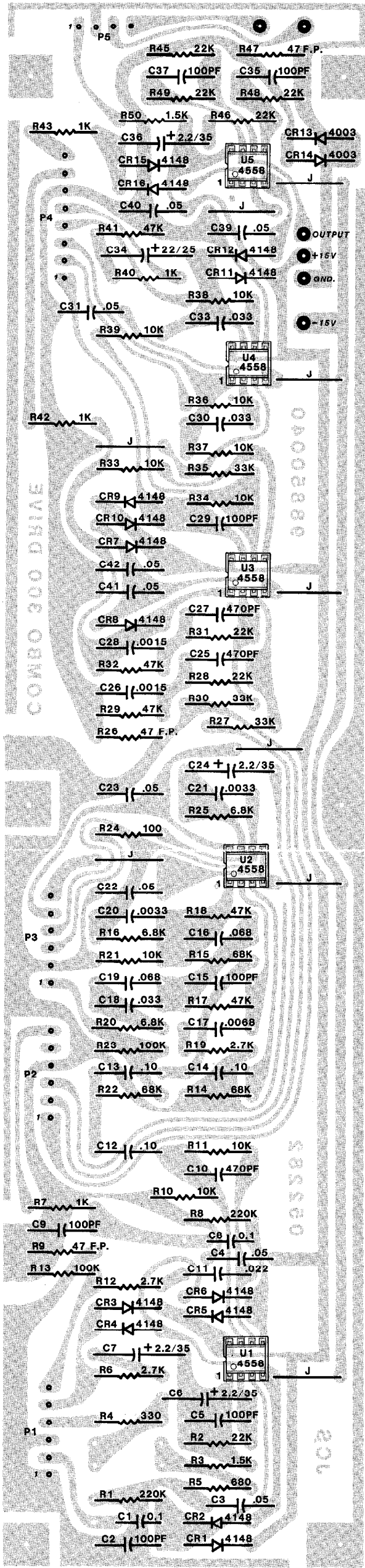
COMBO™ 300

PATCH BD. # 98850030(5/5/82)
 DRIVE BD. # 98850040(5/22/82)
 USES 400BH OUTPUT BD. # 99009017 AND
 DRIVE BD. # 99009018

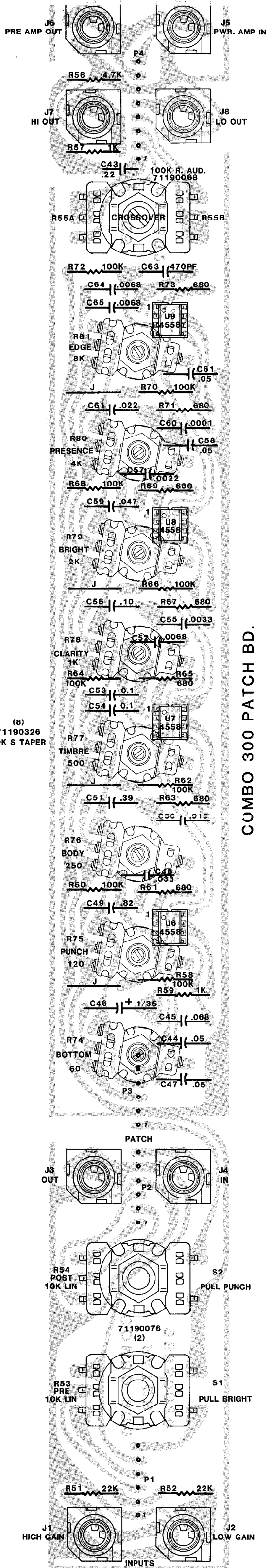
NOTES

- ALL POTS ARE LINEAR UNLESS NOTED
- ALL RESISTORS 1/4W UNLESS NOTED
- ALL RESISTORS IN OHMS UNLESS NOTED
- ALL CAPACITORS IN MFD UNLESS NOTED
- ALL DIODES IN4148 UNLESS NOTED
- LAST REF. DESIG. USED:
- R81 C68 CR20 U9 J6 S2
- CIRCUITRY PATENTS APPLIED FOR OR PENDING



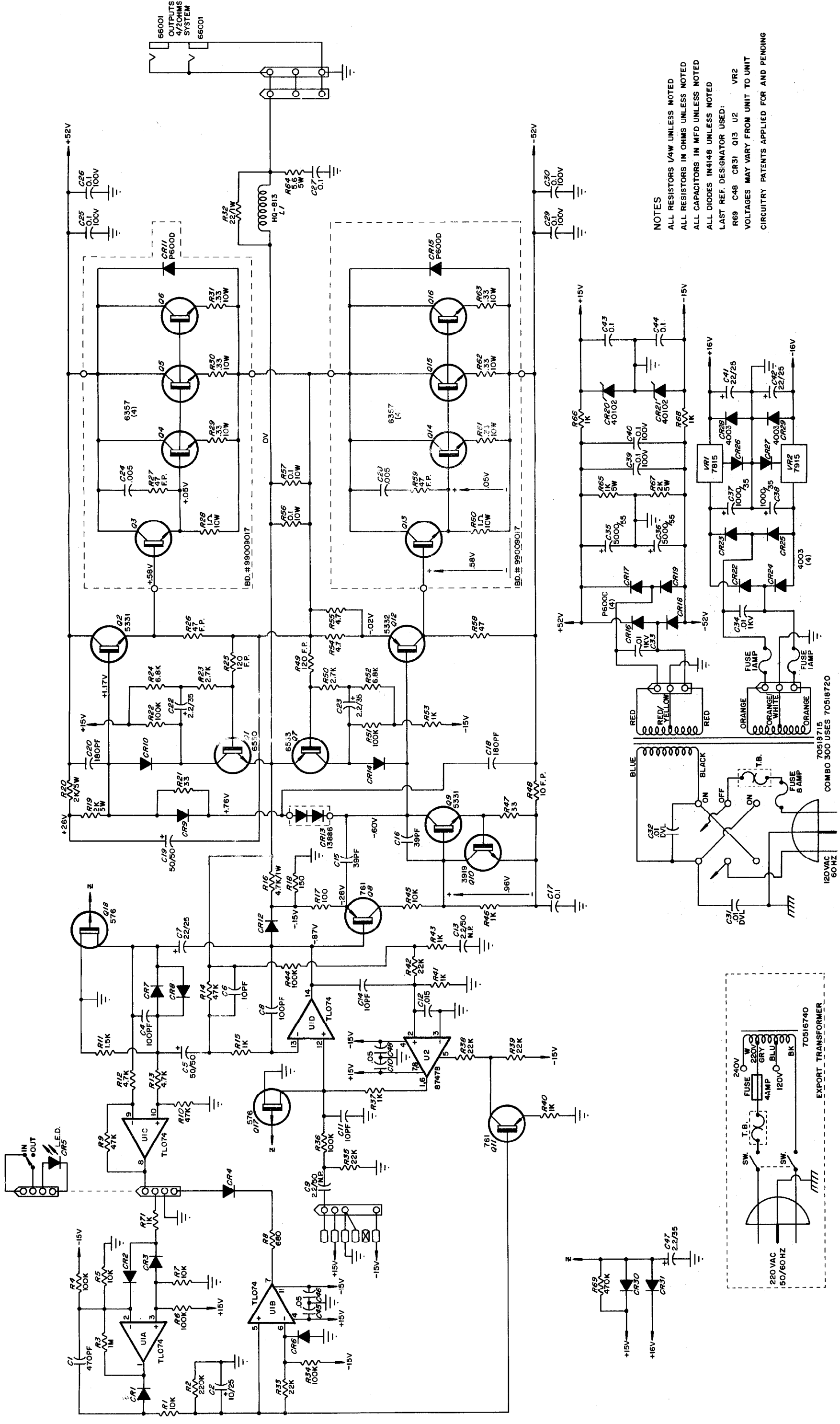


COMBO 300 DRIVE BD.

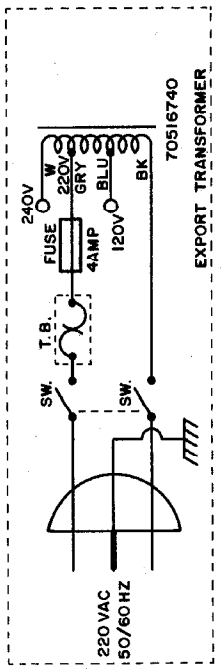


(8)
71190326
20K S TAPER

71190076
(2)



NOTES
 ALL RESISTORS 1/4W UNLESS NOTED
 ALL CAPACITORS IN MFD UNLESS NOTED
 ALL DIODES IN 4148 UNLESS NOTED
 LAST REF. DESIGNATOR USED:
 R69 C48 CR31 Q13 U2 VR2
 VOLTAGES MAY VARY FROM UNIT TO UNIT
 CIRCUITRY PATENTS APPLIED FOR AND PENDING



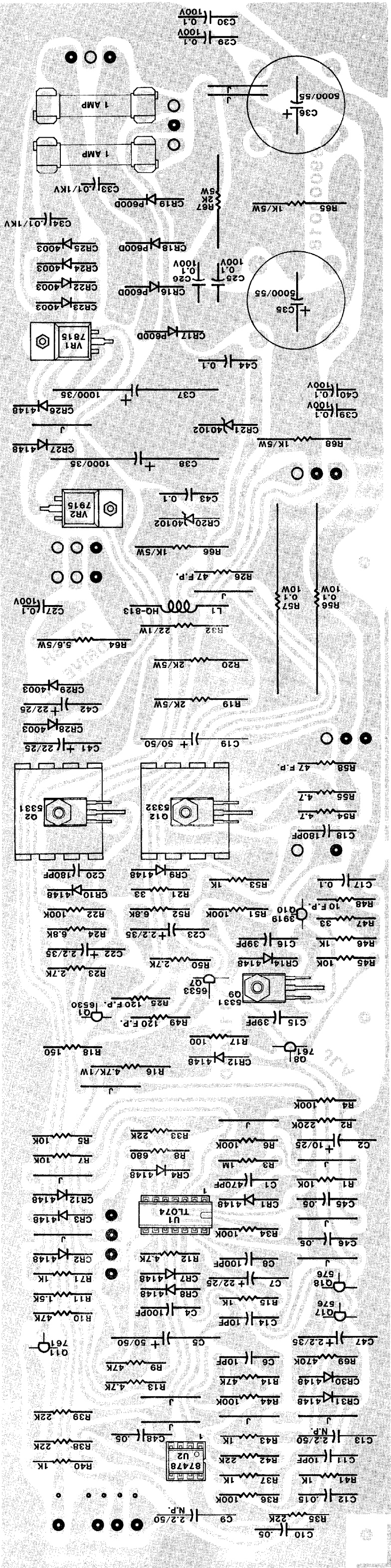
70518715
 COMBO 300 USES 70518720

REVISED 2/23/83 R24
 PEAVEY ELECTRONICS CORP.
 MERIDIAN, MS.
 DRAWN BY ~~RS~~ DATE 2-16-81
 C.B. CHECK ~~RS~~
 CHECK BY ~~RS~~
 APPR. BY ~~RS~~

400BH MODULE
 BD.#99009018
 (11/24/80)

P/N 81505000

COPYRIGHT 1981 PRINTED IN U.S.A.



400BH DRIVE BD.

