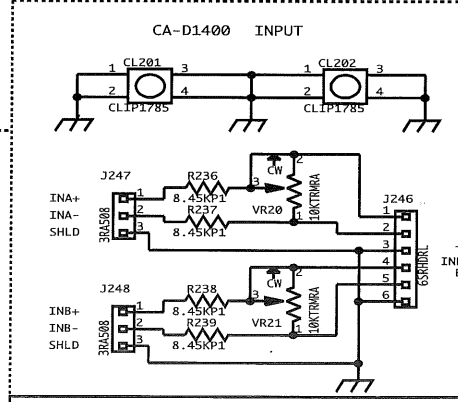
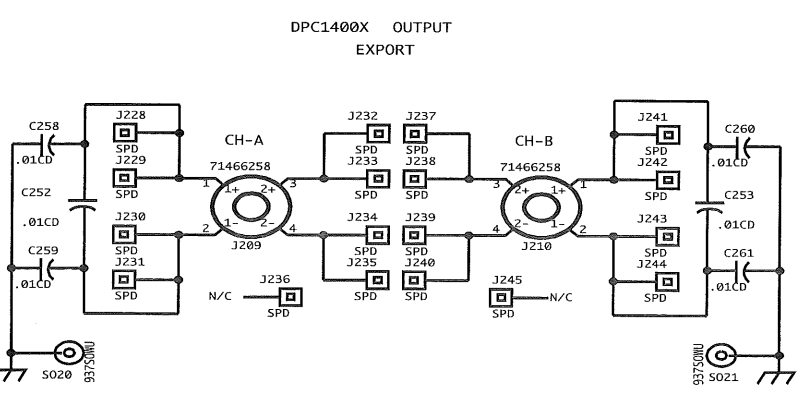
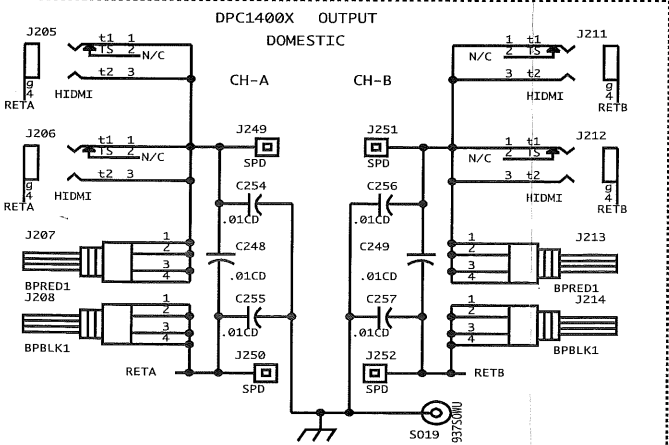
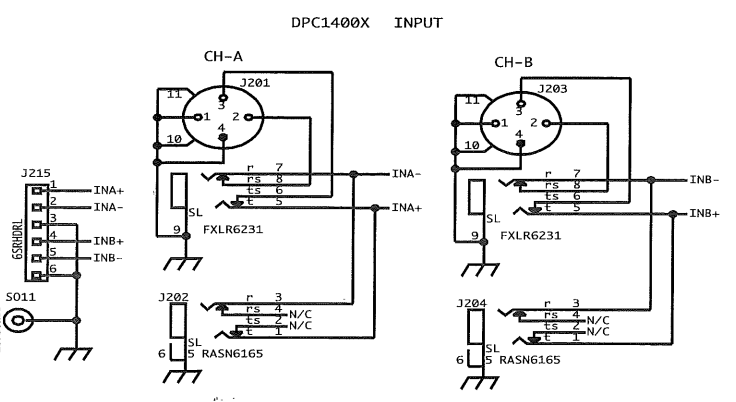
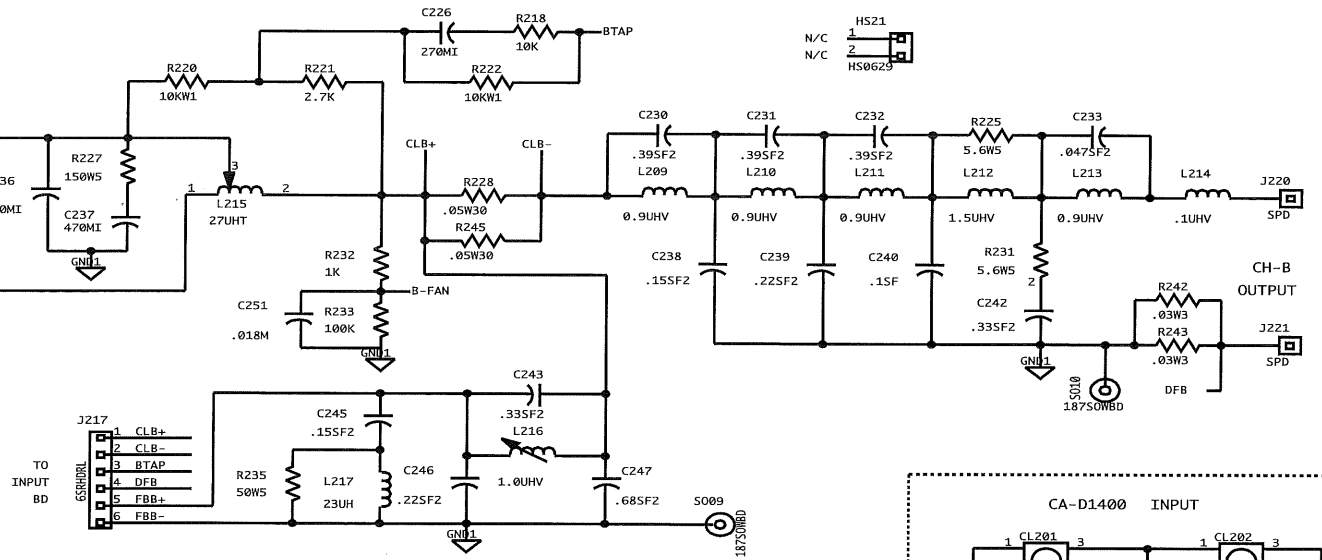
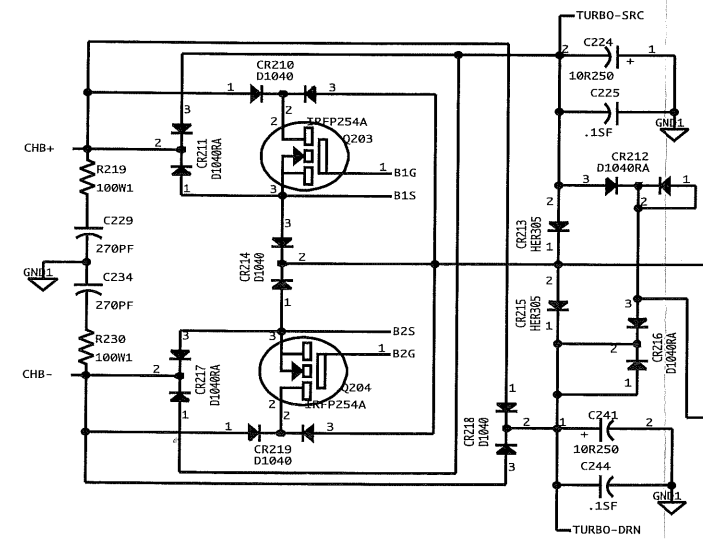
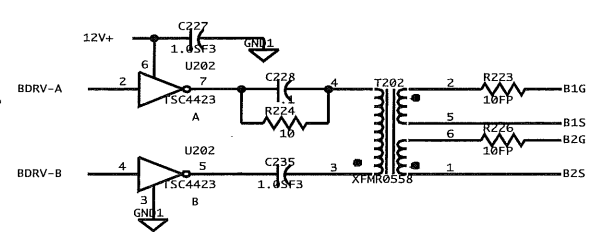
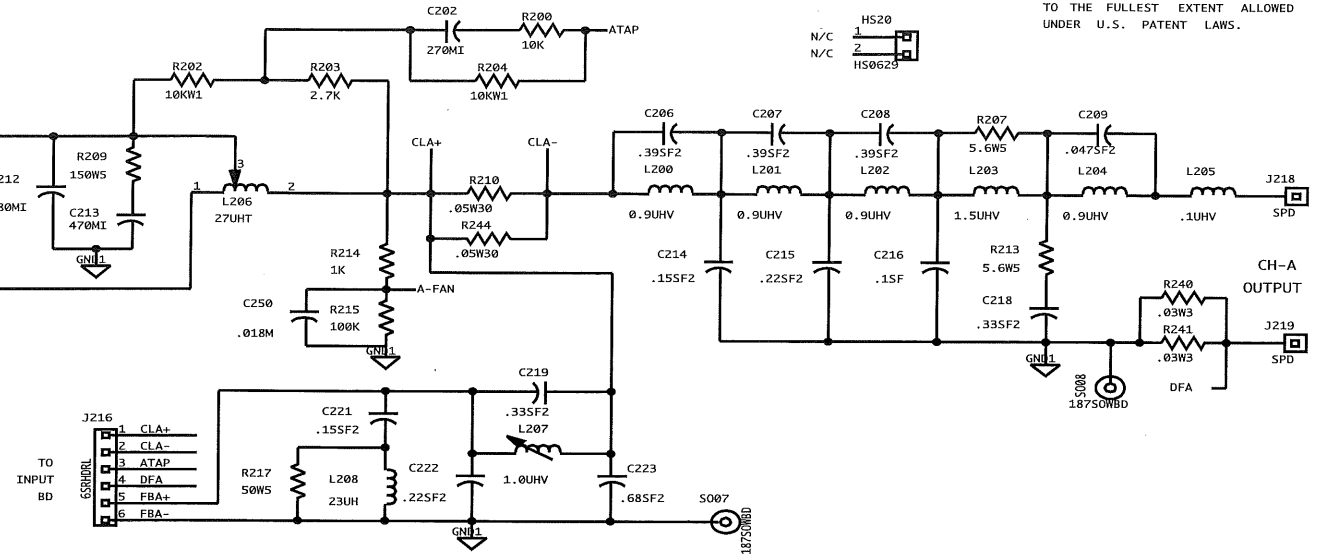
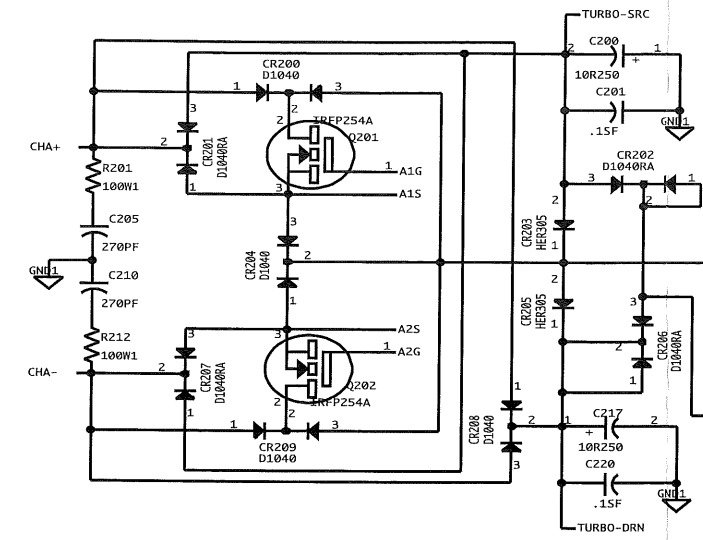
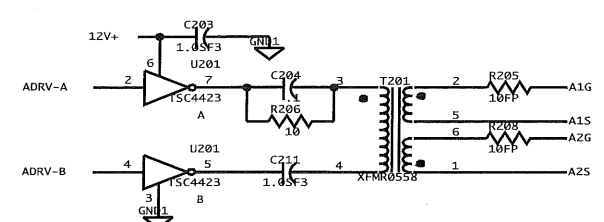


NOTICE: THIS CIRCUITRY IS PROTECTED BY U.S. PATENT NO. 4,318,853 OWNED BY PEAVEY ELECTRONICS CORP. USE OR COPYING WITHOUT EXPRESS WRITTEN AUTHORITY FROM PEAVEY IS STRICTLY FORBIDDEN AND VIOLATORS WILL BE PROSECUTED TO THE FULLEST EXTENT ALLOWED UNDER U.S. PATENT LAWS.

Peavey Electronics Corp. 711 A Street Meridian, MS 39301			
TITLE DPC1400X POWER BD			
SIZE C	CODE PRINT	NUMBER 81500104	REV A
DATE 24-FEB-98		SHEET 1 OF 2	

FF R207 & 213: SMOKE
 CHECK R214 1K

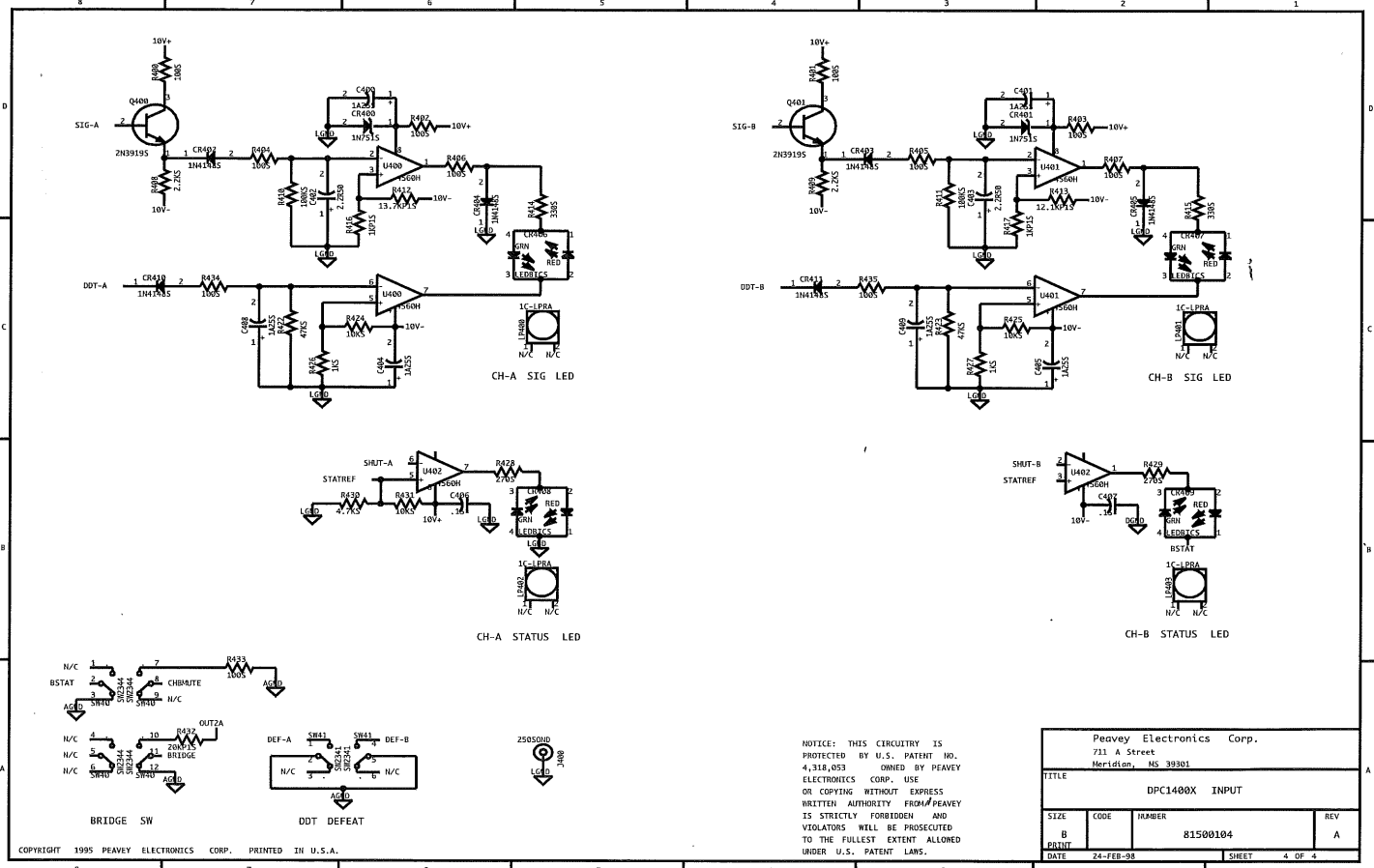
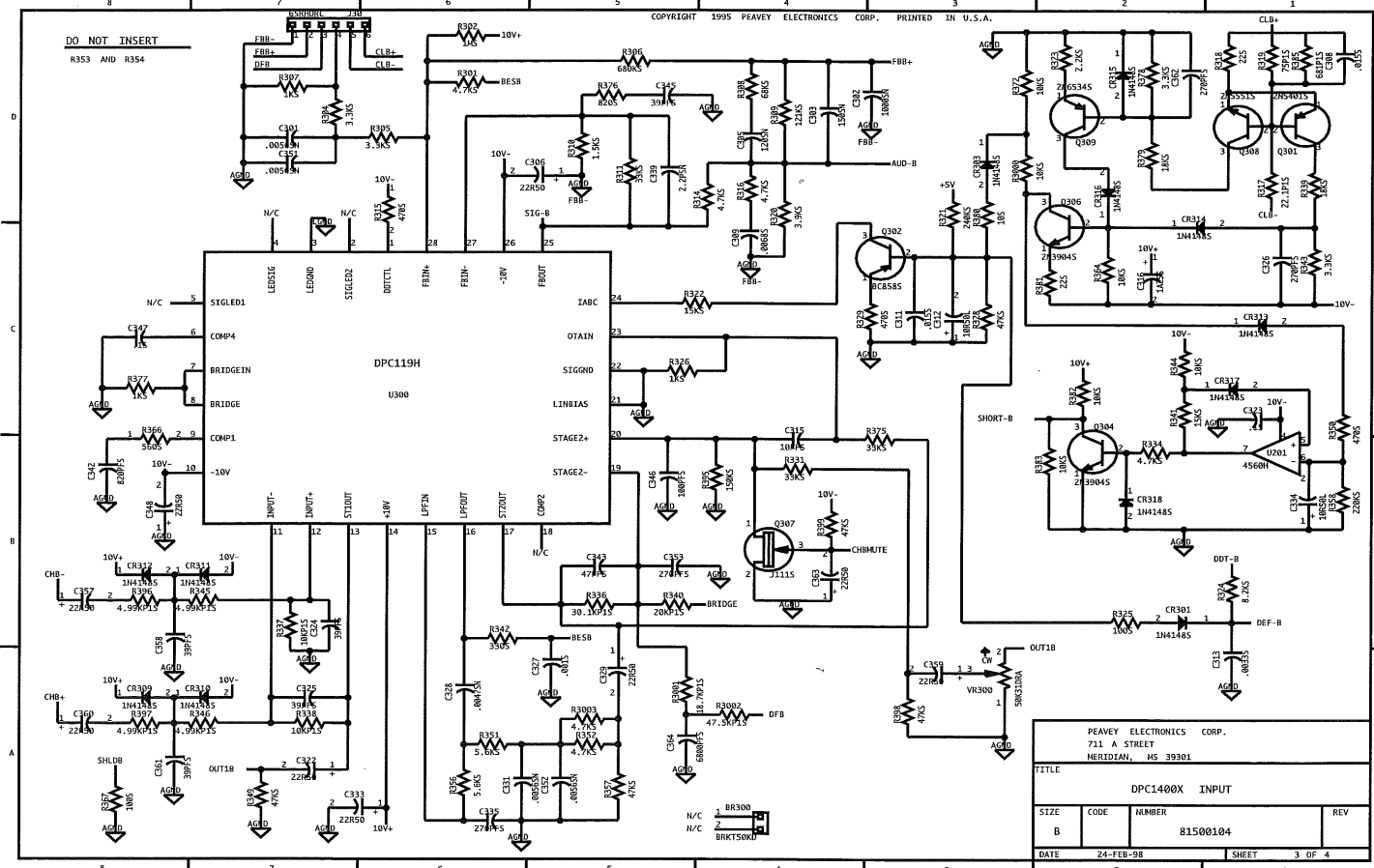
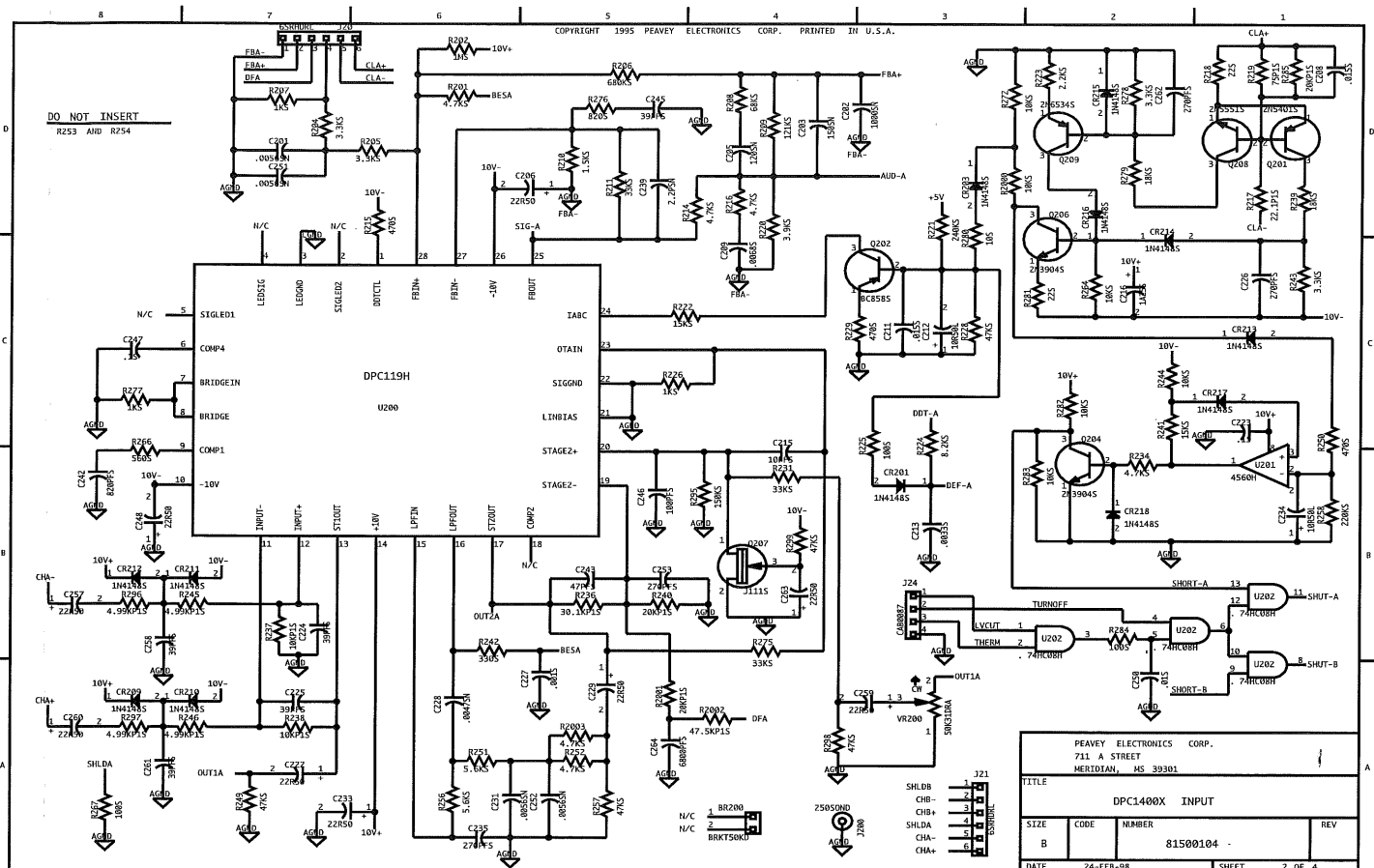
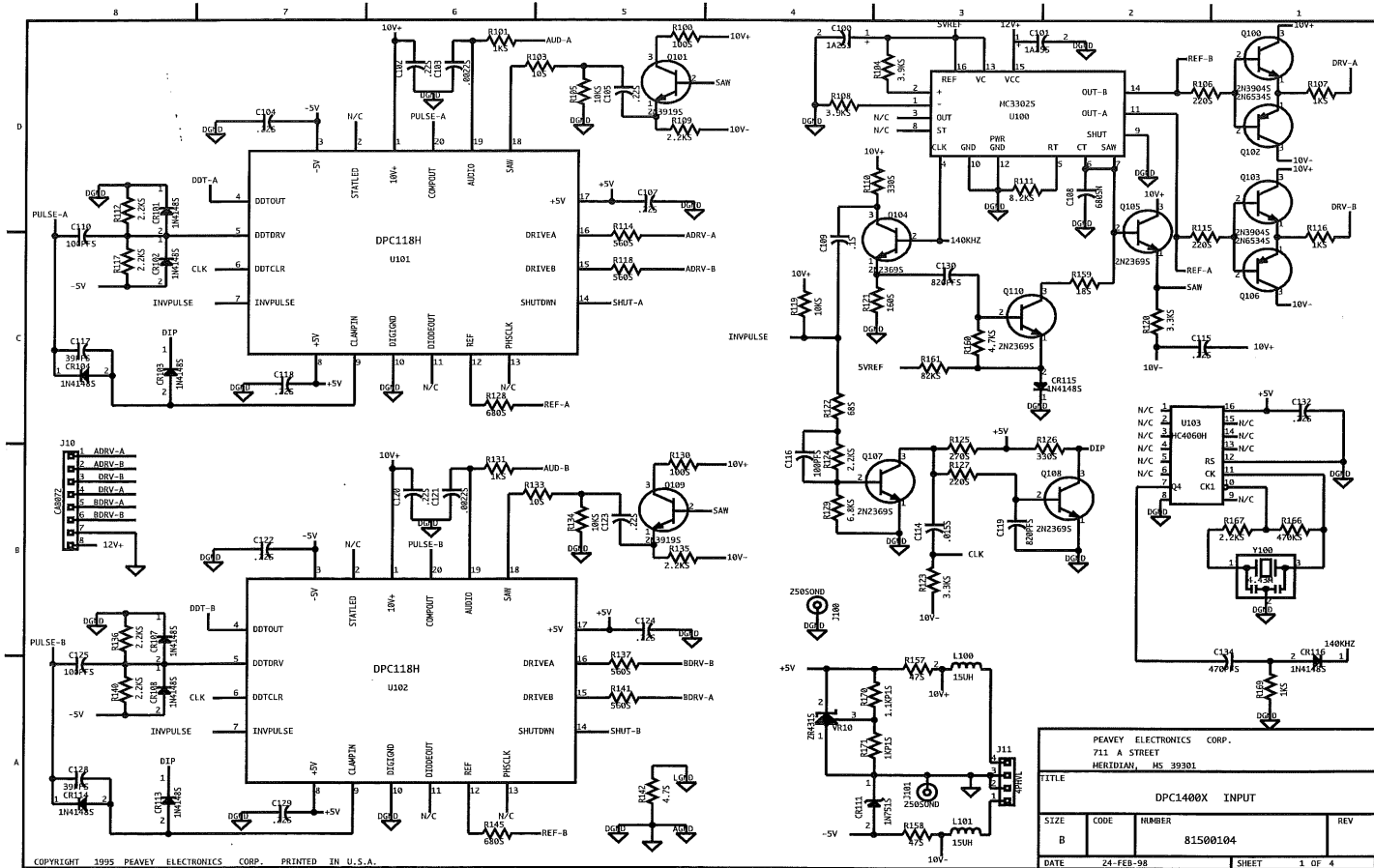
NOTICE: THIS CIRCUITRY IS PROTECTED BY U.S. PATENT NO. 4,318,053 OWNED BY PEAVEY ELECTRONICS CORP. USE OR COPYING WITHOUT EXPRESS WRITTEN AUTHORITY FROM PEAVEY IS STRICTLY FORBIDDEN AND VIOLATORS WILL BE PROSECUTED TO THE FULLEST EXTENT ALLOWED UNDER U.S. PATENT LAWS.



Peavey Electronics Corp.
 711 A Street
 Meridian, MS 39301

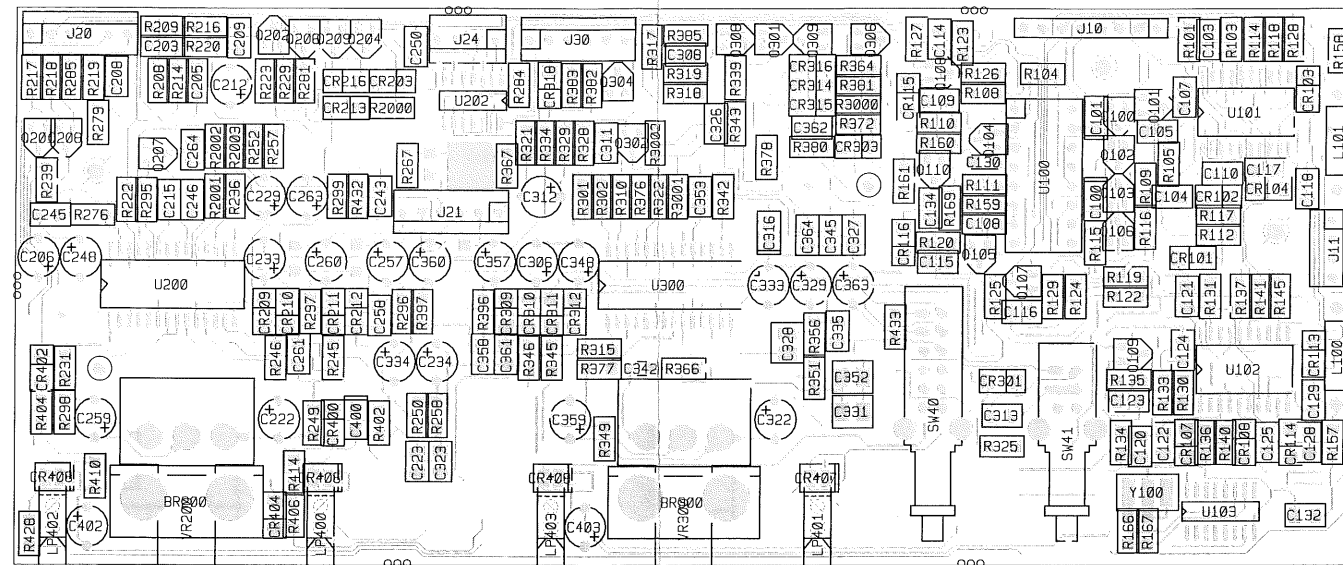
TITLE: DPC1400X POWER BD

SIZE	CODE	NUMBER	REV
C		81500104	A
PRINT	DATE	24-FEB-98	SHEET 2 OF 2

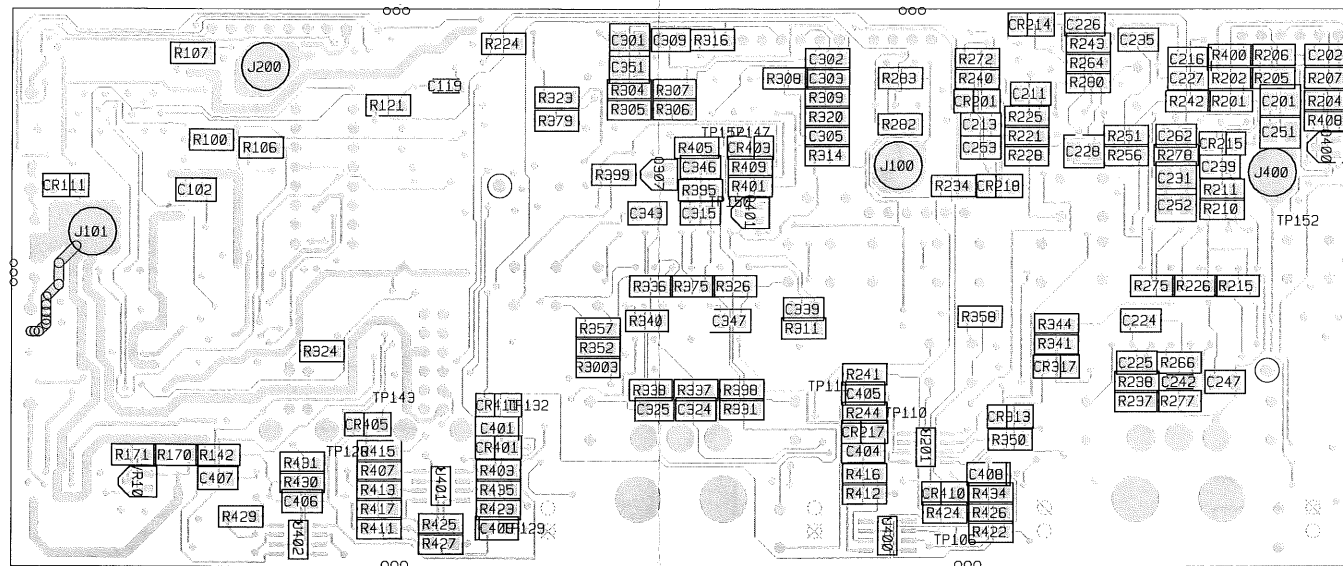


NOTICE: THIS CIRCUITRY IS PROTECTED BY U.S. PATENT NO. 4,318,053 OWNED BY PEAVEY ELECTRONICS CORP. USE OR COPYING WITHOUT EXPRESS WRITTEN AUTHORITY FROM PEAVEY IS STRICTLY FORBIDDEN AND VIOLATORS WILL BE PROSECUTED TO THE FULLEST EXTENT ALLOWED UNDER U.S. PATENT LAWS.

PRIMARY SIDE



SECONDARY SIDE



DPC1400X INPUT

DO NOT INSERT THIS BOARD
ON EXPORT

DO NOT INSERT
BOARD ON DOM.
OR EXP.

DPC 1400X POWER

DO NOT INSERT
THIS BOARD ON DOMESTIC OR EXPORT

