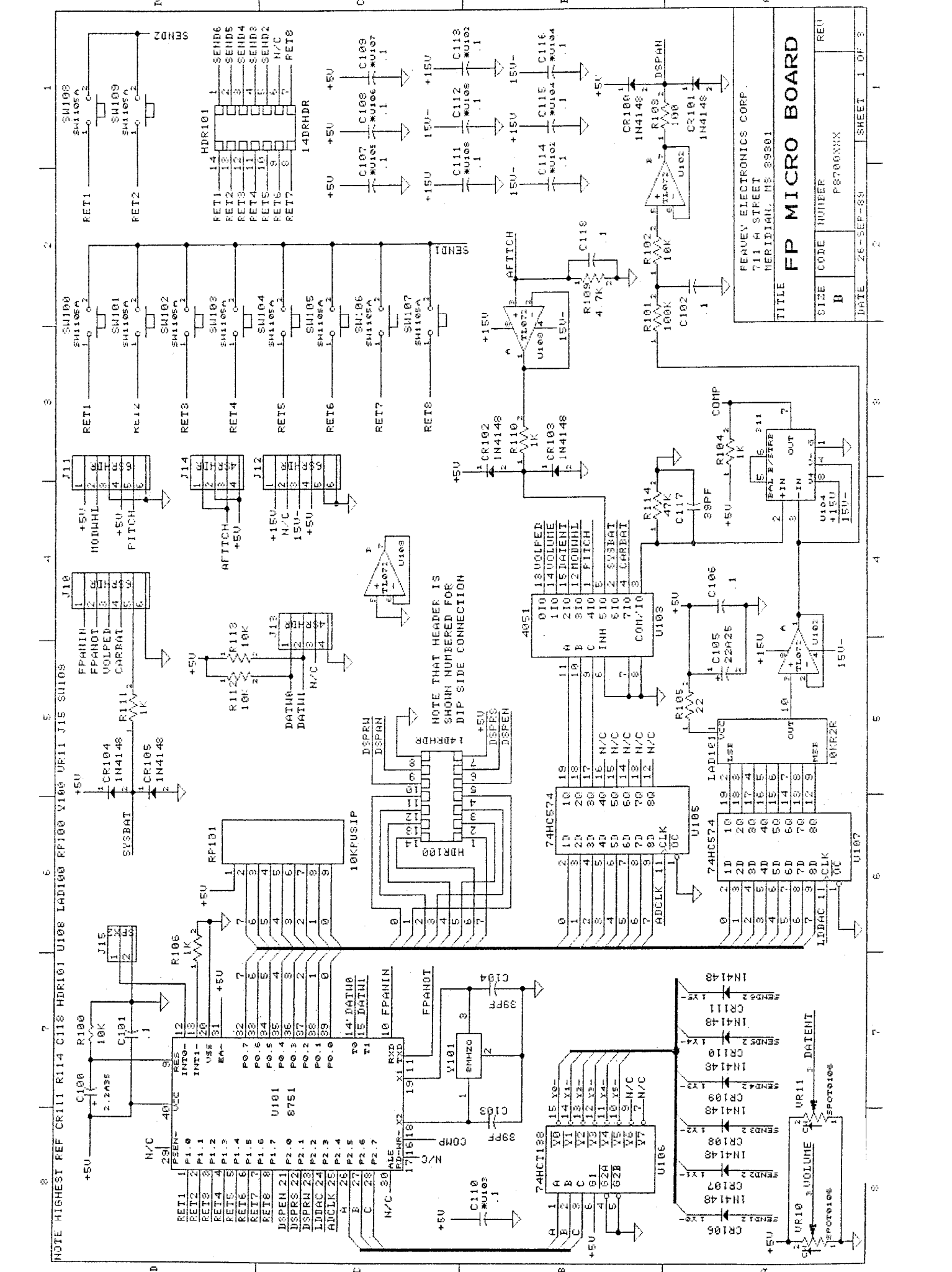


NOTE HIGHEST REF CR111 R114 C118 HDR101 U108 LAD100 RP100 V100 UR11 J15 SUI03



NOTE THAT HEADER IS SHOWN NUMBERED FOR SHOWN NUMBERED DIP SIDE CONNECTION

PERVEEN ELECTRONICS CORP.
711 A STREET
MERIDIAN, MS 39301

FP MICRO BOARD

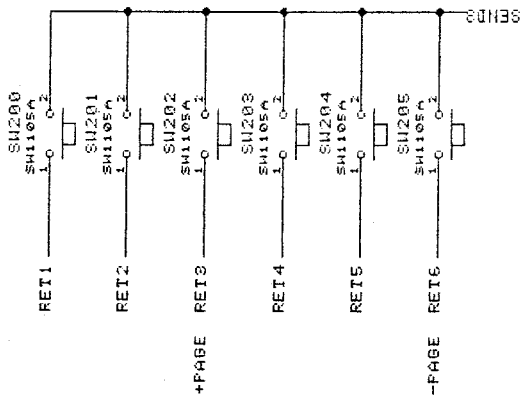
TITLE

SIZE CODE NUMBER P67000XX

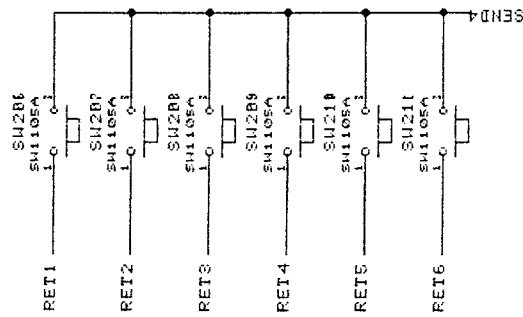
DATE 26-SEP-89 SHEET 1 OF 3

NOTE HIGHEST REF SU211 HDR201

RET1	14	HDR200	1	SENDE
RET2	13		2	SENDS
RET3	12		3	SEND4
RET4	11		4	SENDS
RET5	10		5	SEND2
RET6	9		6	N/C
RET7	8		7	RET8
				14DRHDR



RET1	14	HDR201	1	SENDE
RET2	13		2	SENDS
RET3	12		3	SEND4
RET4	11		4	SENDS
RET5	10		5	SEND2
RET6	9		6	N/C
RET7	8		7	RET8
				14DRHDR

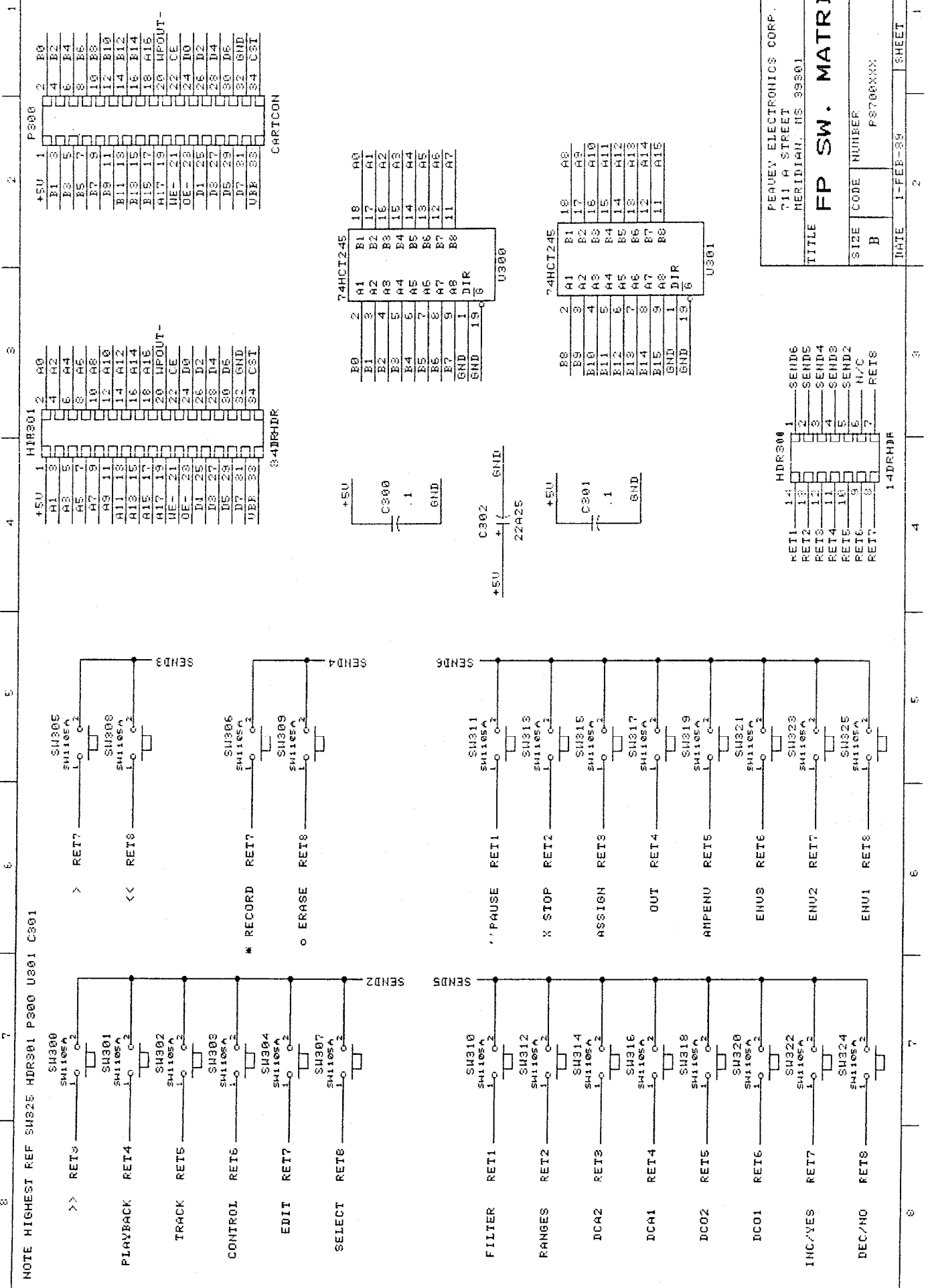


PEAVEY ELECTRONICS CORP.
711 H STREET
MERRIDEN, MS 39801

TITLE **FP DISPLAY**

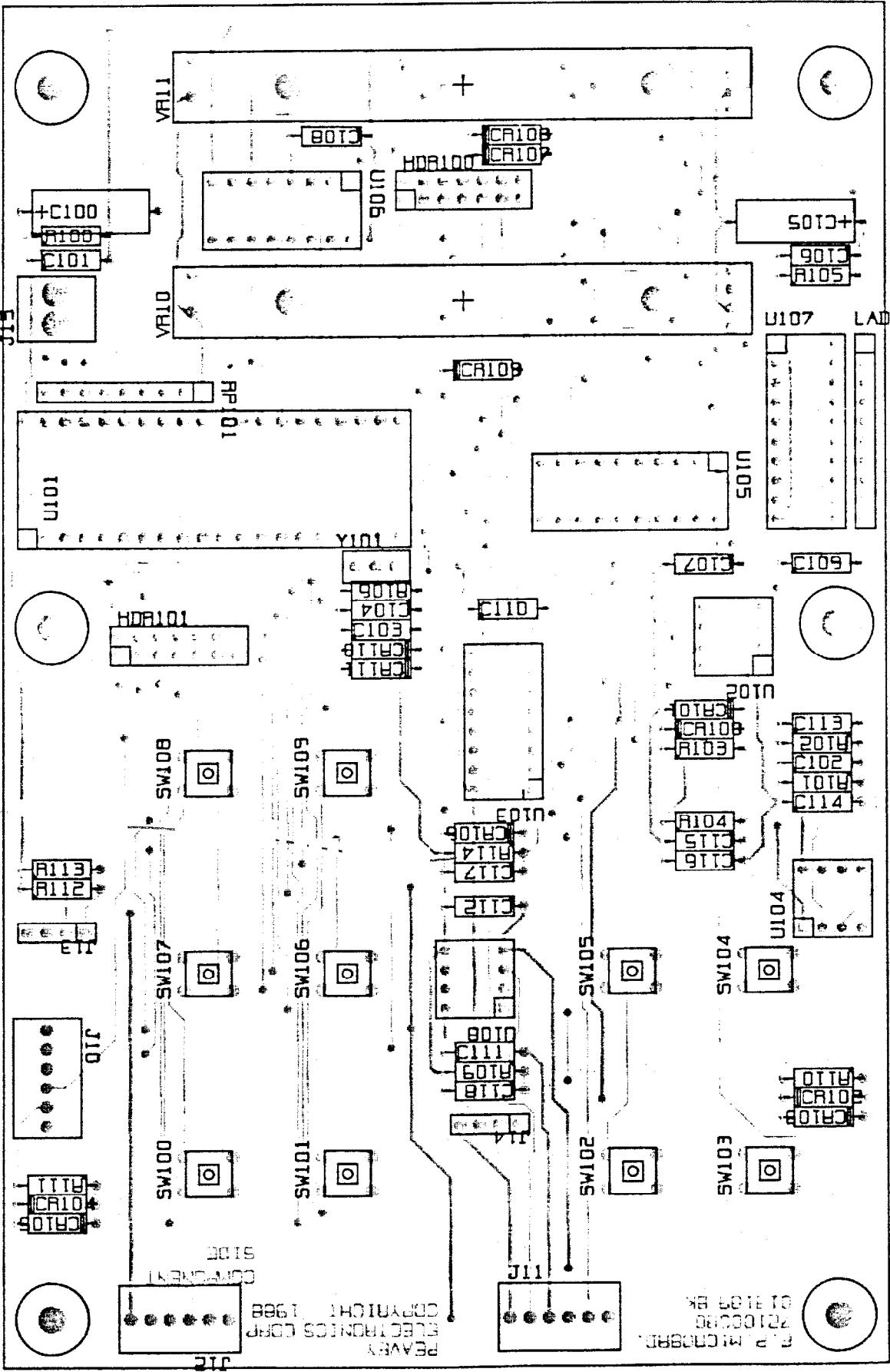
SIZE	CODE	NUMBER	REV
B		P8760XXX	

DATE 13-OCT-68 SHEET 2 OF 3



PEAVEY ELECTRONICS CORP. 711 A STREET MERIDIAN, MS 39501			
TITLE FP SW. MATRIX			
SIZE	CODE	NUMBER	REV
B	B	P8700XXX	
DATE	1-FEB-89		SHEET 3 OF 3

RET1	14	HDR300	1	SEND6
RET2	13		2	SENDS
RET3	12		3	SEND4
RET4	11		4	SEND8
RET5	10		5	SEND2
RET6	9		6	N/C
RET7	8		7	RETS
14DRHDR				

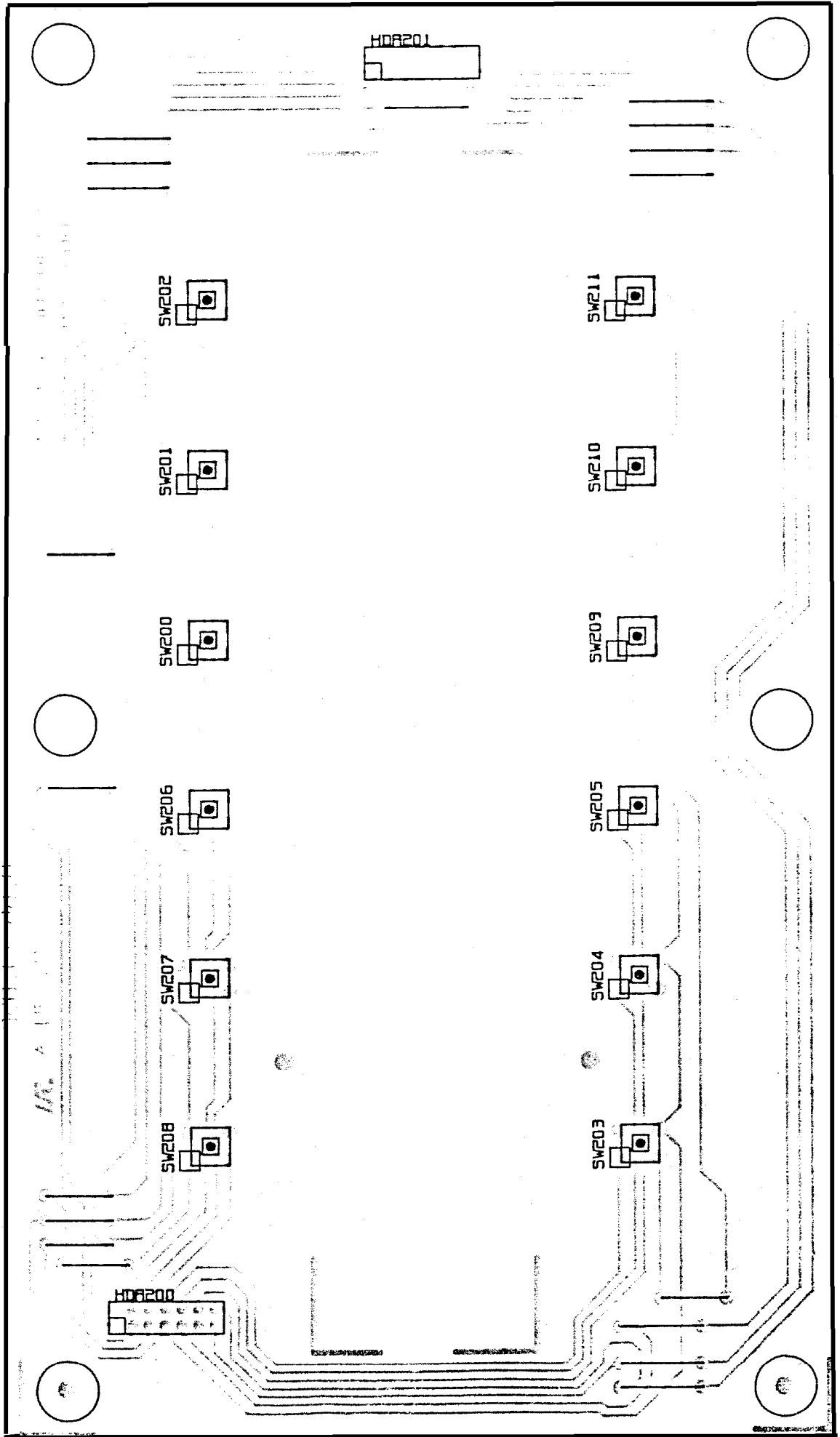


PEABY ELECTRONICS CORP.
 COPYRIGHT 1988
 COMPONENT SIDE
 J12

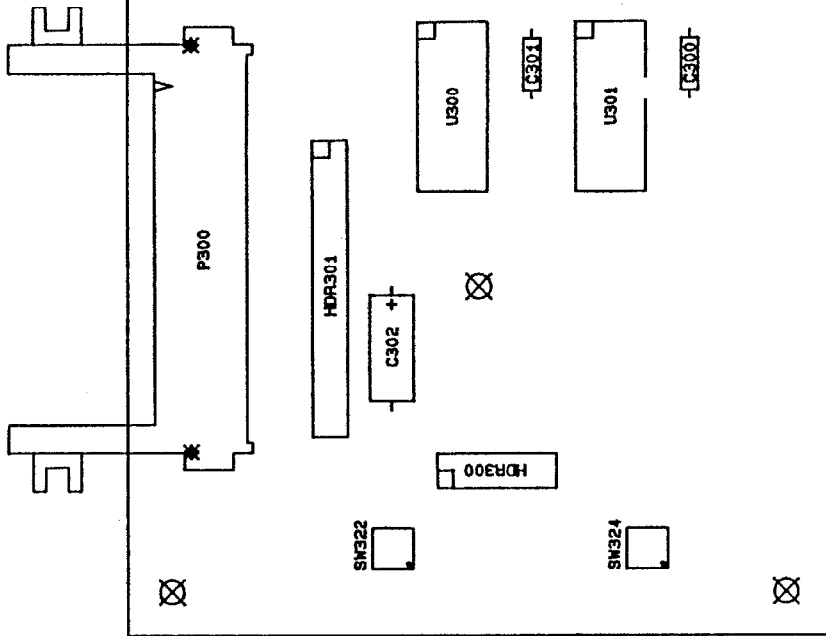
P. P. M. G. B. R. I.
 22100000
 01 11 87 BK

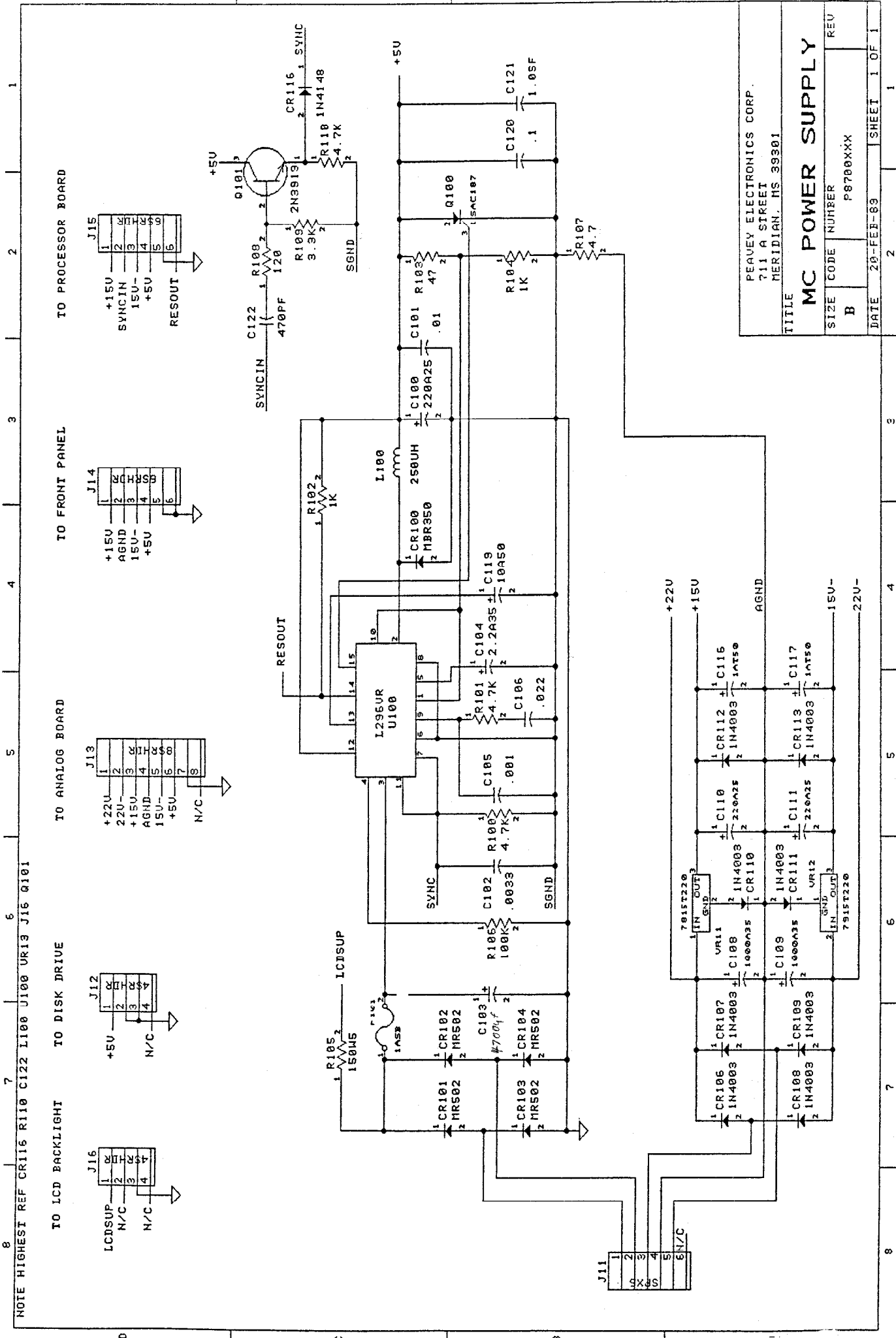
BOTH HEADERS DOWN 73717040
SWITCHES 71322306

DPM3 DISPLAY
SWITCH BOARD



DPM3 SWITCH MATRIX BD





NOTE HIGHEST REF CR116 R110 C122 L100 U100 UR13 J15 Q101

TO LCD BACKLIGHT TO DISK DRIVE TO ANALOG BOARD TO FRONT PANEL TO PROCESSOR BOARD

J16

1	LCDSUP
2	N/C
3	N/C
4	N/C

J12

1	+5V
2	N/C
3	N/C
4	N/C

J13

1	+22U
2	22U-
3	+15U
4	AGND
5	15U-
6	+5U
7	N/C
8	N/C

J14

1	+15U
2	AGND
3	15U-
4	+5U
5	AGND
6	+5U

J15

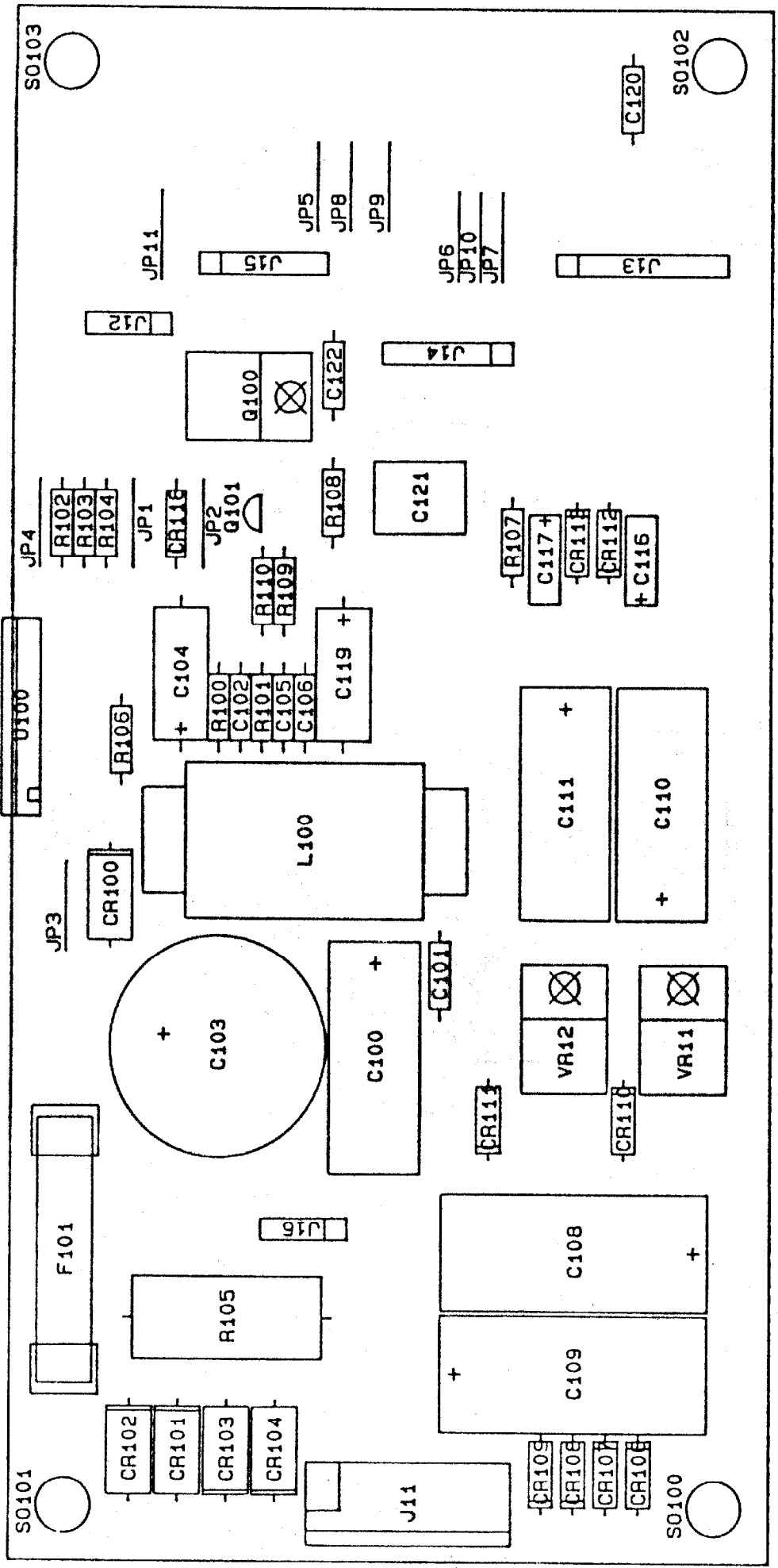
1	+15U
2	SYNCIN
3	15U-
4	+5U
5	AGND
6	RESOUT

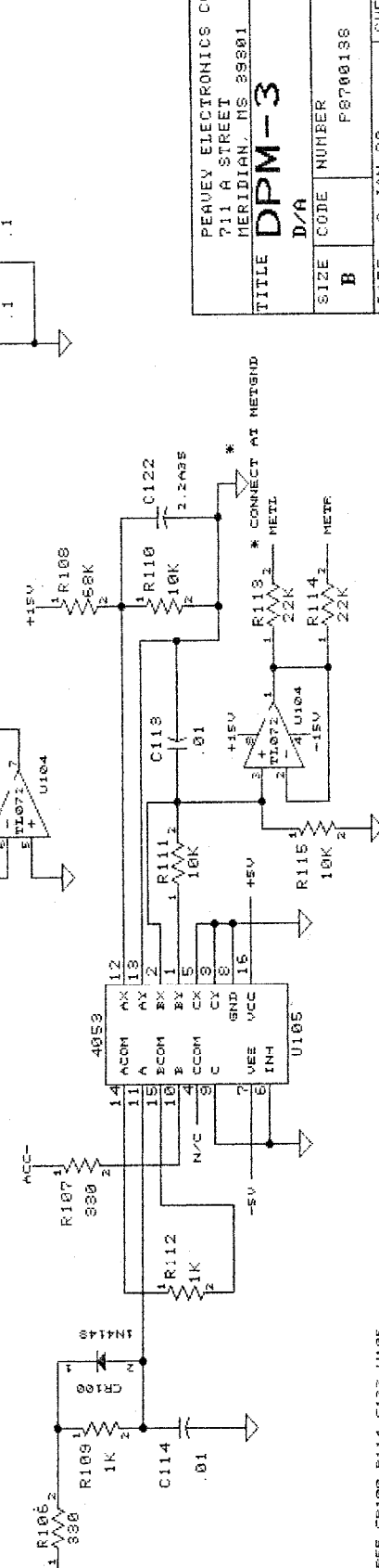
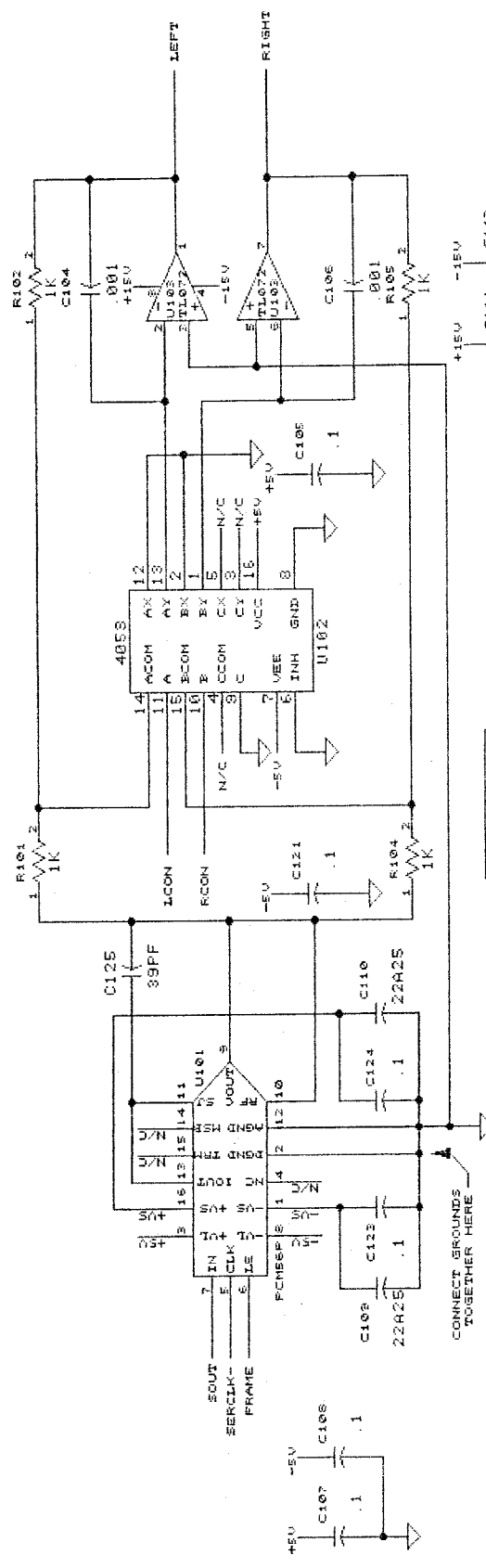
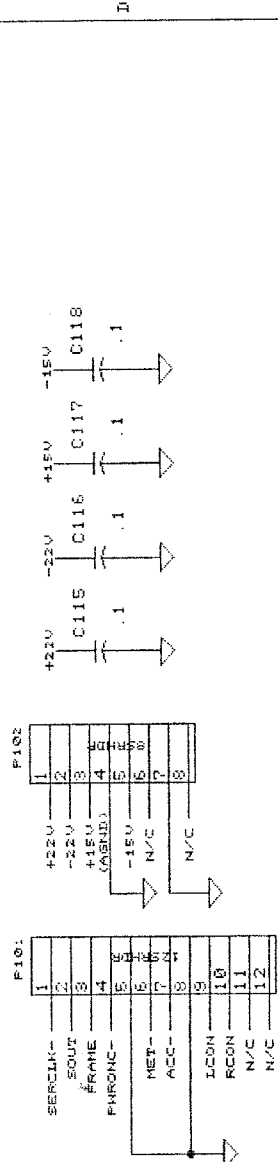
PEAVEY ELECTRONICS CORP.
711 A STREET
MERIDIAN, MS 39301

TITLE
MC POWER SUPPLY

SIZE CODE NUMBER
B P8700XXX

DATE 20-FEB-89 SHEET 1 OF 1





PEAVEY ELECTRONICS CORP.
711 A STREET
MERIDIAN, MS 39801

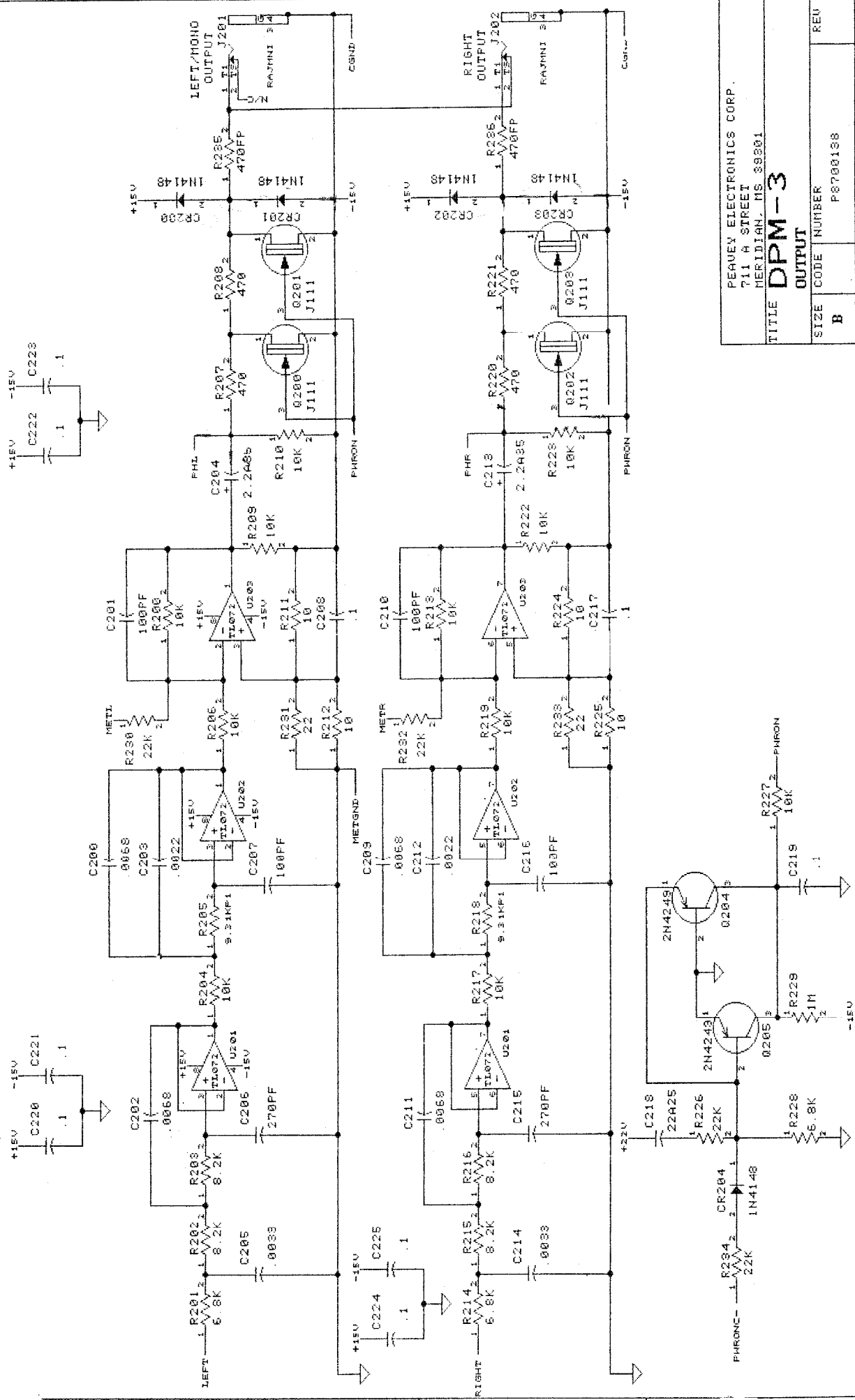
TITLE **DPM-3**
D/A

SIZE CODE NUMBER P8700138
B

DATE 2-JAN-90 SHEET 1-1

NOTE HIGHEST REF CR100 R114 C122 U105

NOTE HIGHEST REF CR204 R126 C225 U205 U202 J1C2



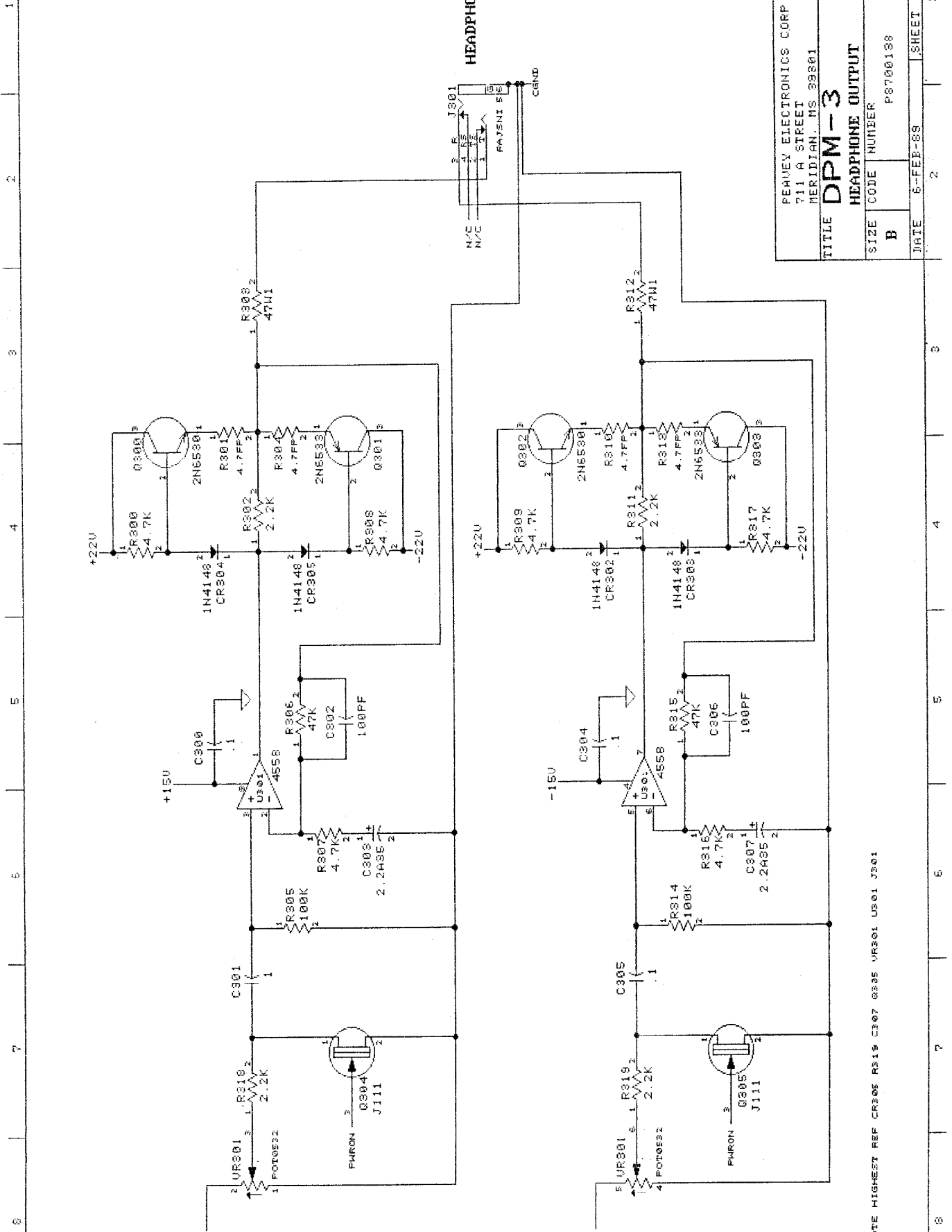
PEAVEY ELECTRONICS CORP.
711 W STREET
MERIDIAN, MS 39301

TITLE **DPM-3**

OUTPUT

SIZE	CODE	NUMBER	REV
B		P8700138	

DATE 7-DEC-89 SHEET 2 OF 3



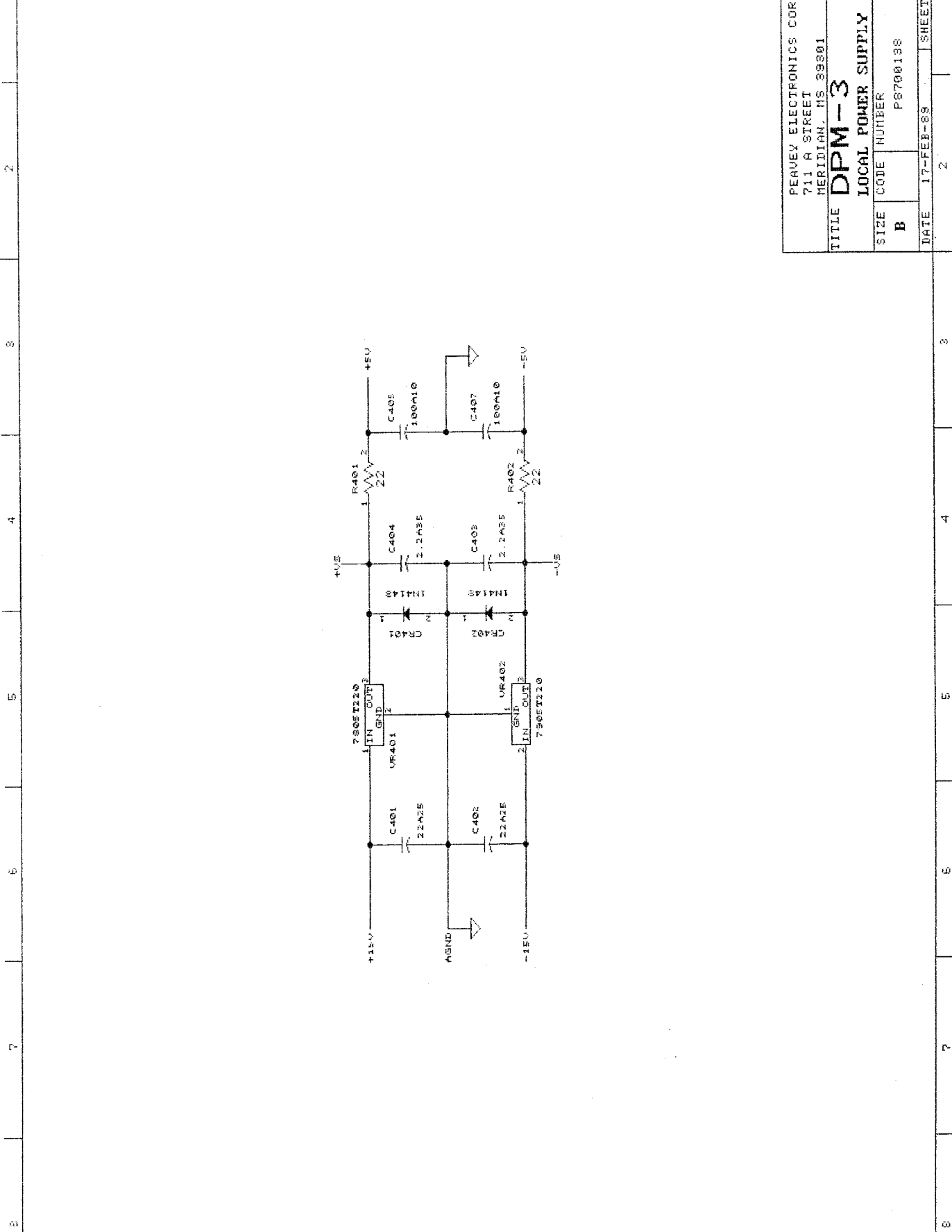
PERVEY ELECTRONICS CORP
 711 H STREET
 MERIDIAN, MS 39301

TITLE **DPM-3**
 HEADPHONE OUTPUT

SIZE	CODE	NUMBER	REV
B		P8700188	

DATE	5-FEB-88	SHEET	3 OF 3
------	----------	-------	--------

NOTE HIGHEST REF CR305 R319 C307 C305 UR301 US01 J101



PERVEY ELECTRONICS CORP.
 711 A STREET
 MERIDIAN, MS. 39301

TITLE **DPM-3**

LOCAL POWER SUPPLY

SIZE	CODE NUMBER	REV
B	P8700138	

DATE	SHEET	4
17-FEB-88		

