

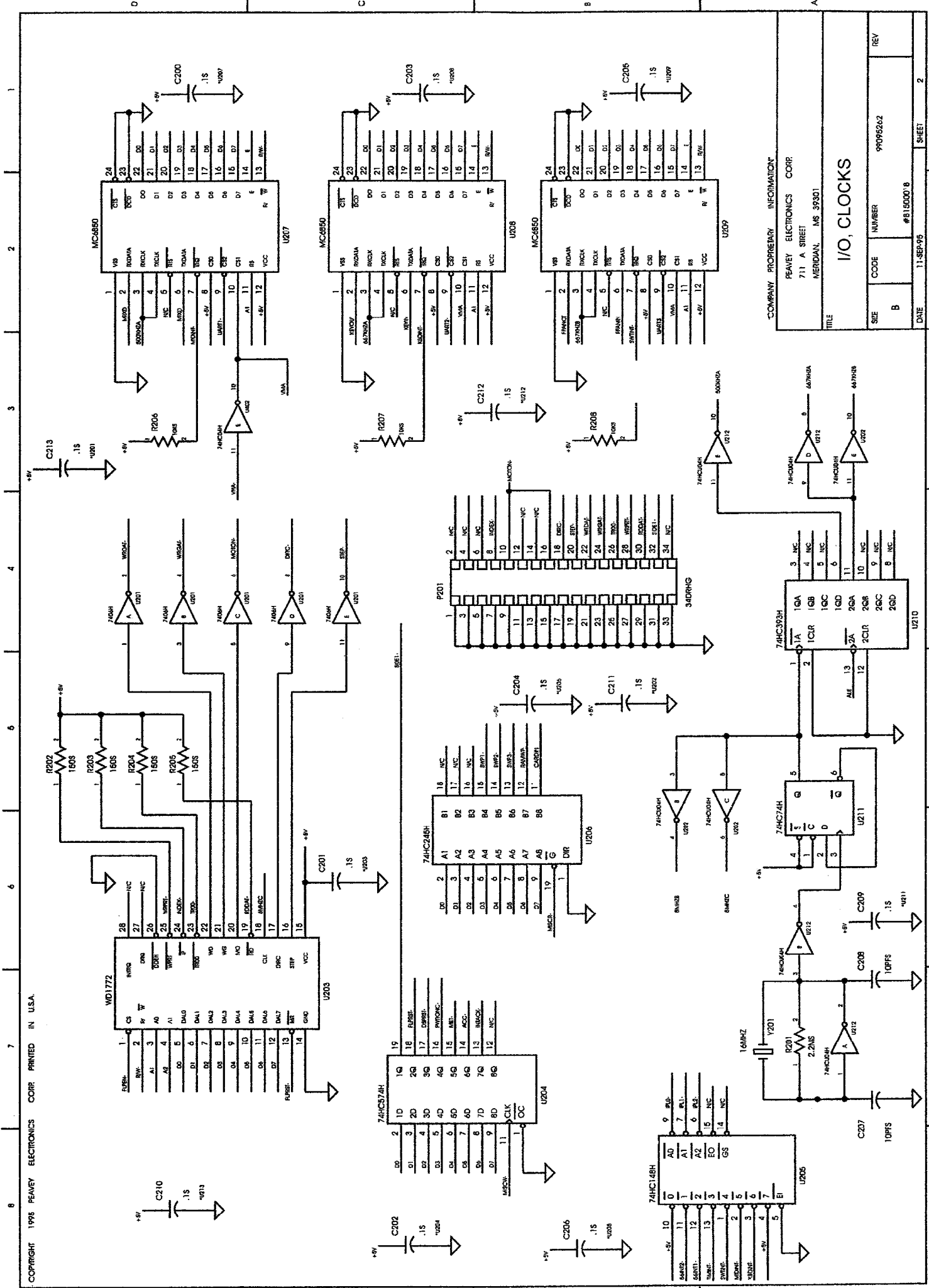
COMPANY PROPRIETARY INFORMATION
 PEAVEY ELECTRONICS CORP.
 711 A STREET
 MERIDIAN, MS 39001

68000 MEMORY

SIZE	CODE	NUMBER	REV
B		99096562	
DATE		#1500018	
		11-SEP-95	

COPYRIGHT 1989 PEAVEY ELECTRONICS CORP.

SHEET 1



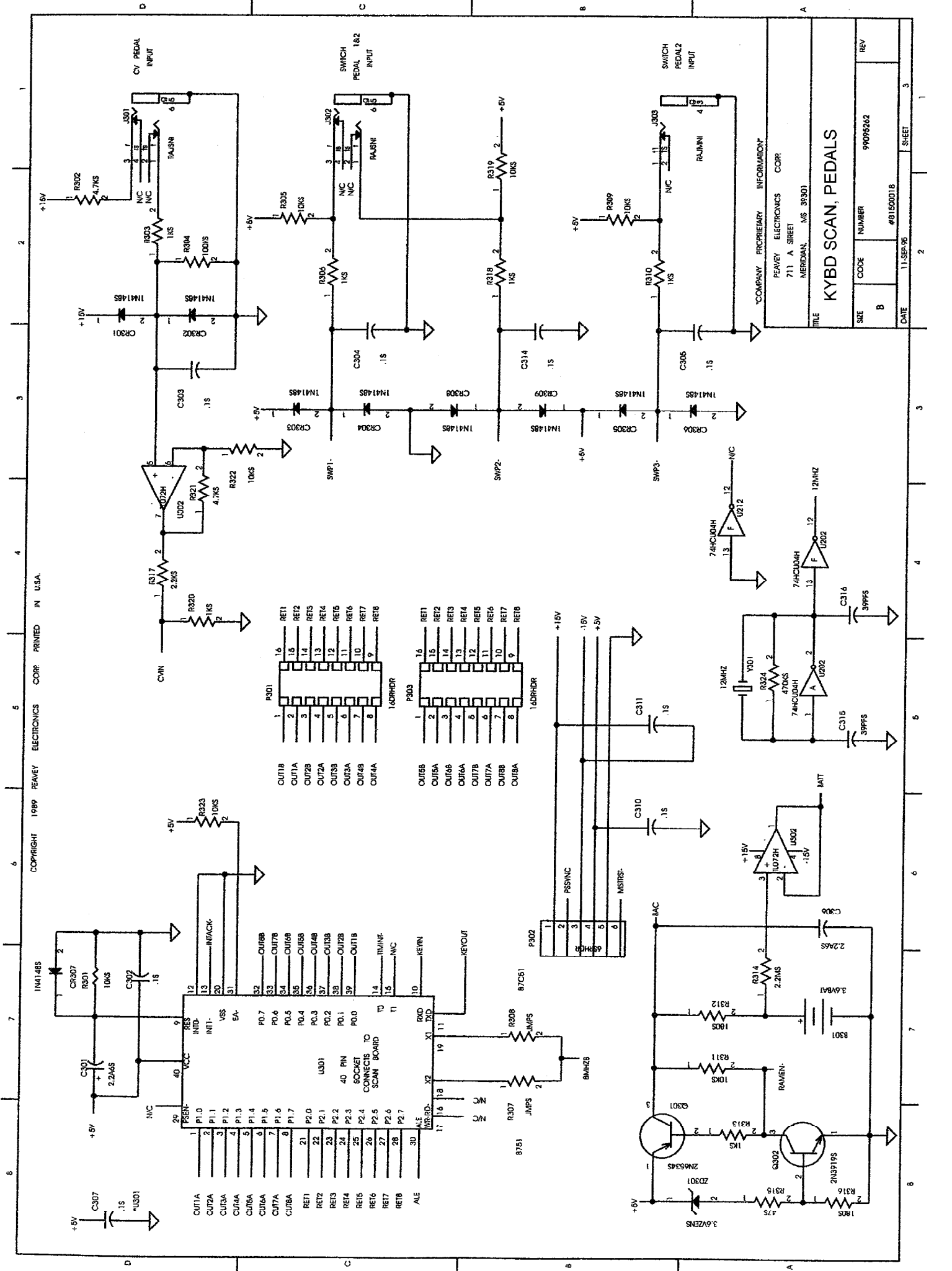
COMPANY PROPRIETARY INFORMATION
 PEAVEY ELECTRONICS CORP.
 711 A STREET
 MENDOTA, MS 39301

I/O CLOCKS

TITLE	I/O CLOCKS		
SIDE	B	NUMBER	99098262
REV			
DATE	11-SEP-95	SHEET	2

1
2
3
4
5
6
7
8

1
2
3
4
5
6
7
8



COPYRIGHT 1989 PEAVEY ELECTRONICS CORP. PRINTED IN U.S.A.

COMPANY PROPRIETARY INFORMATION
 PEAVEY ELECTRONICS CORP.
 711 A STREET
 MERIDIAN, MS 39001

KYBD SCAN, PEDALS

REV	3
NUMBER	99095662
CODE	B
DATE	11-SEP-86
SHEET	3

OUT18	16
OUT17	15
OUT16	14
OUT15	13
OUT14	12
OUT13	11
OUT12	10
OUT11	9
OUT10	8
OUT9	7
OUT8	6
OUT7	5
OUT6	4
OUT5	3
OUT4	2
OUT3	1

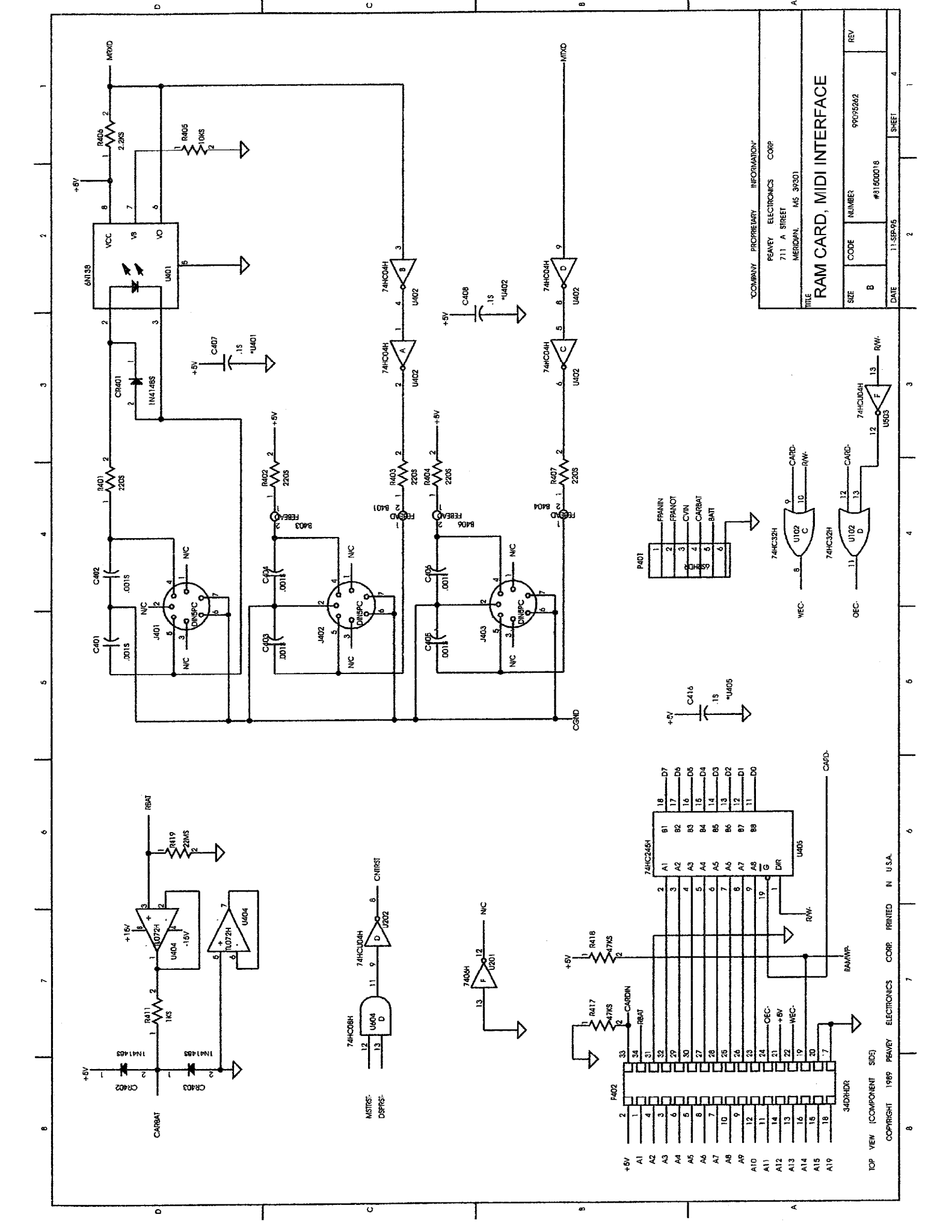
RET1	16
RET2	15
RET3	14
RET4	13
RET5	12
RET6	11
RET7	10
RET8	9

OUT18	16
OUT17	15
OUT16	14
OUT15	13
OUT14	12
OUT13	11
OUT12	10
OUT11	9
OUT10	8
OUT9	7
OUT8	6
OUT7	5
OUT6	4
OUT5	3
OUT4	2
OUT3	1

RET1	16
RET2	15
RET3	14
RET4	13
RET5	12
RET6	11
RET7	10
RET8	9

PSYNC	1
MSTRST	2
48MHz	3
68MHz	4
80MHz	5
96MHz	6

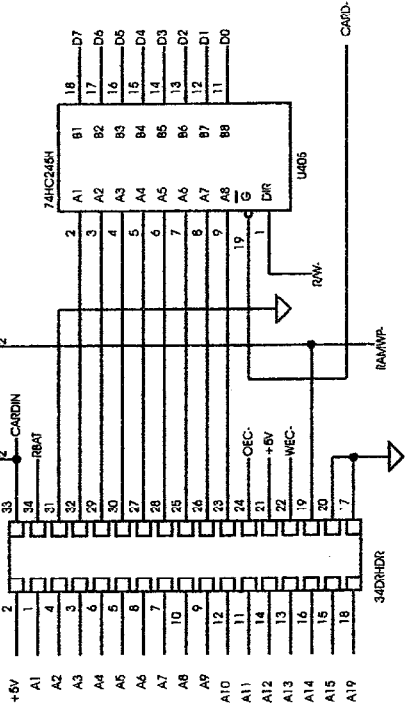
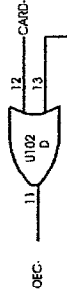
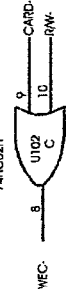
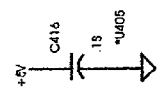
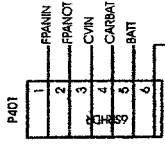
RAMEN	1
RAMEN	2
RAMEN	3
RAMEN	4
RAMEN	5
RAMEN	6
RAMEN	7
RAMEN	8
RAMEN	9
RAMEN	10
RAMEN	11
RAMEN	12
RAMEN	13
RAMEN	14
RAMEN	15
RAMEN	16



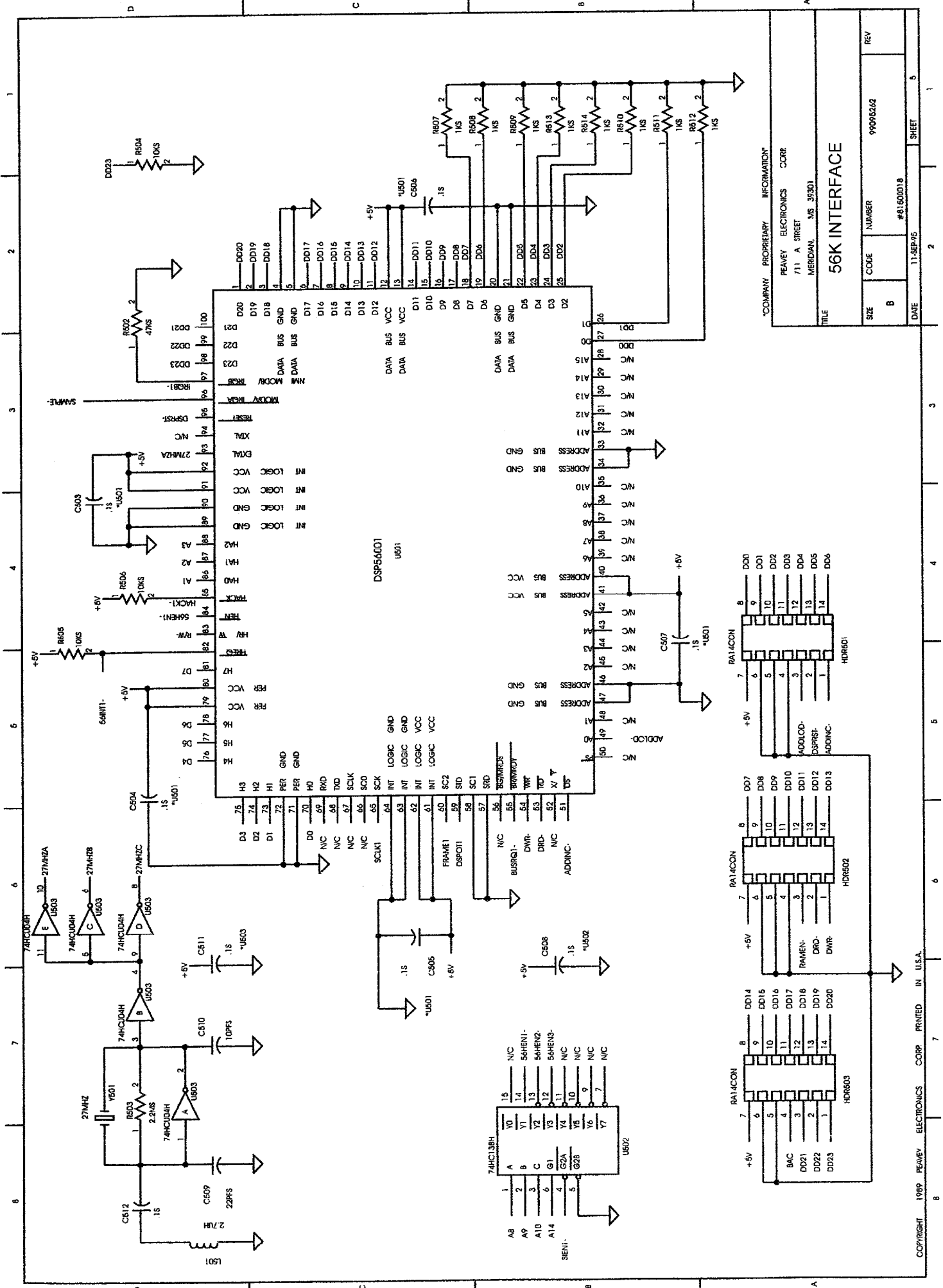
COMPANY PROPRIETARY INFORMATION
 PEAVEY ELECTRONICS CORP
 711 A STREET
 MERIDIAN, MS 39301

TITLE
RAM CARD, MIDI INTERFACE

SIZE	CODE	NUMBER	REV
B		99095262	
DATE	11-SEP-95	#9160018	4
SHEET		4	



TOP VIEW (COMPONENT SIDE)
 COPYRIGHT 1989 PEAVEY ELECTRONICS CORP. PRINTED IN U.S.A.

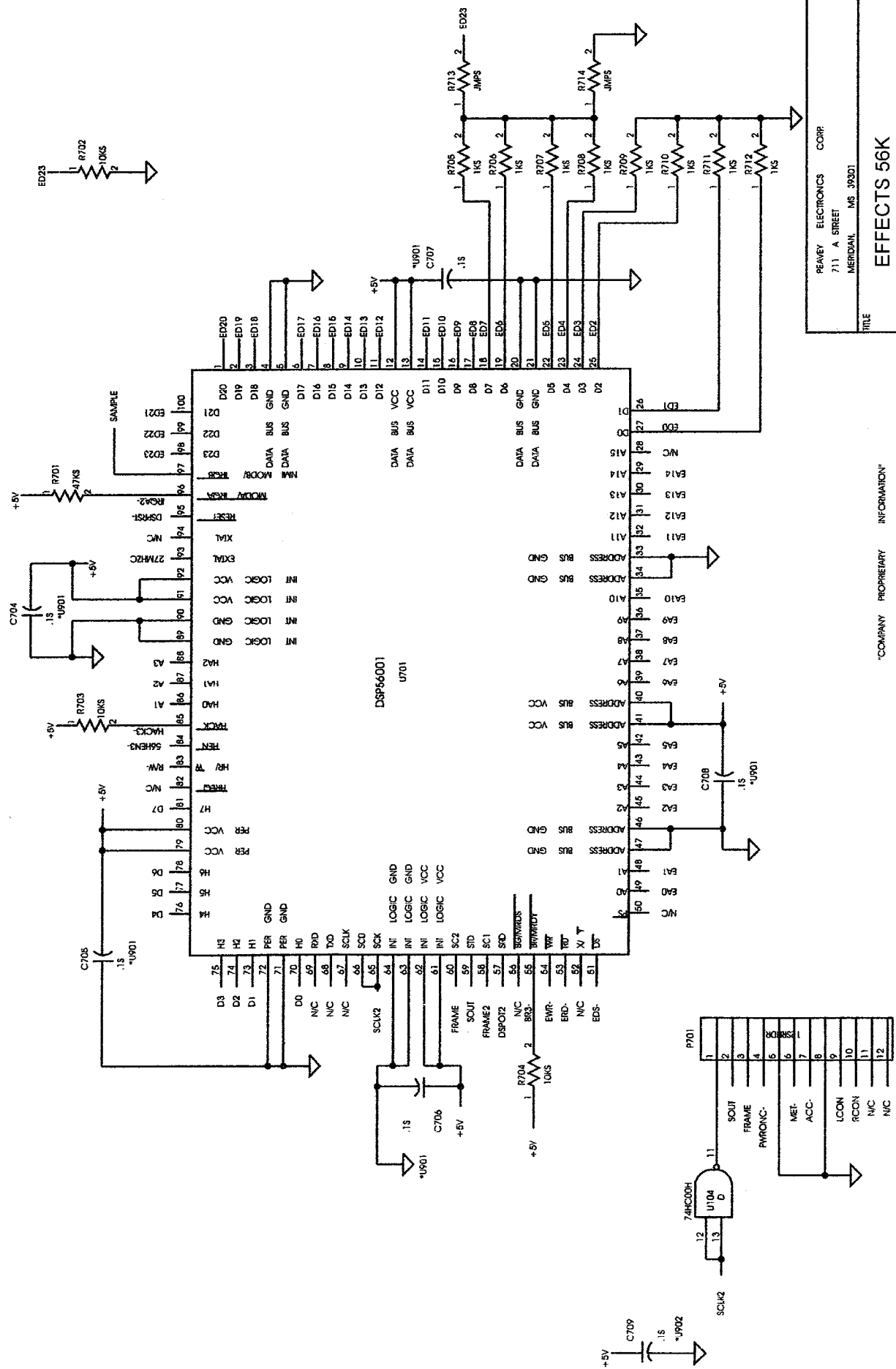


COMPANY PROPRIETARY INFORMATION
 PEAVEY ELECTRONICS CORP
 711 A STREET
 MERIDIAN MS 39301

56K INTERFACE

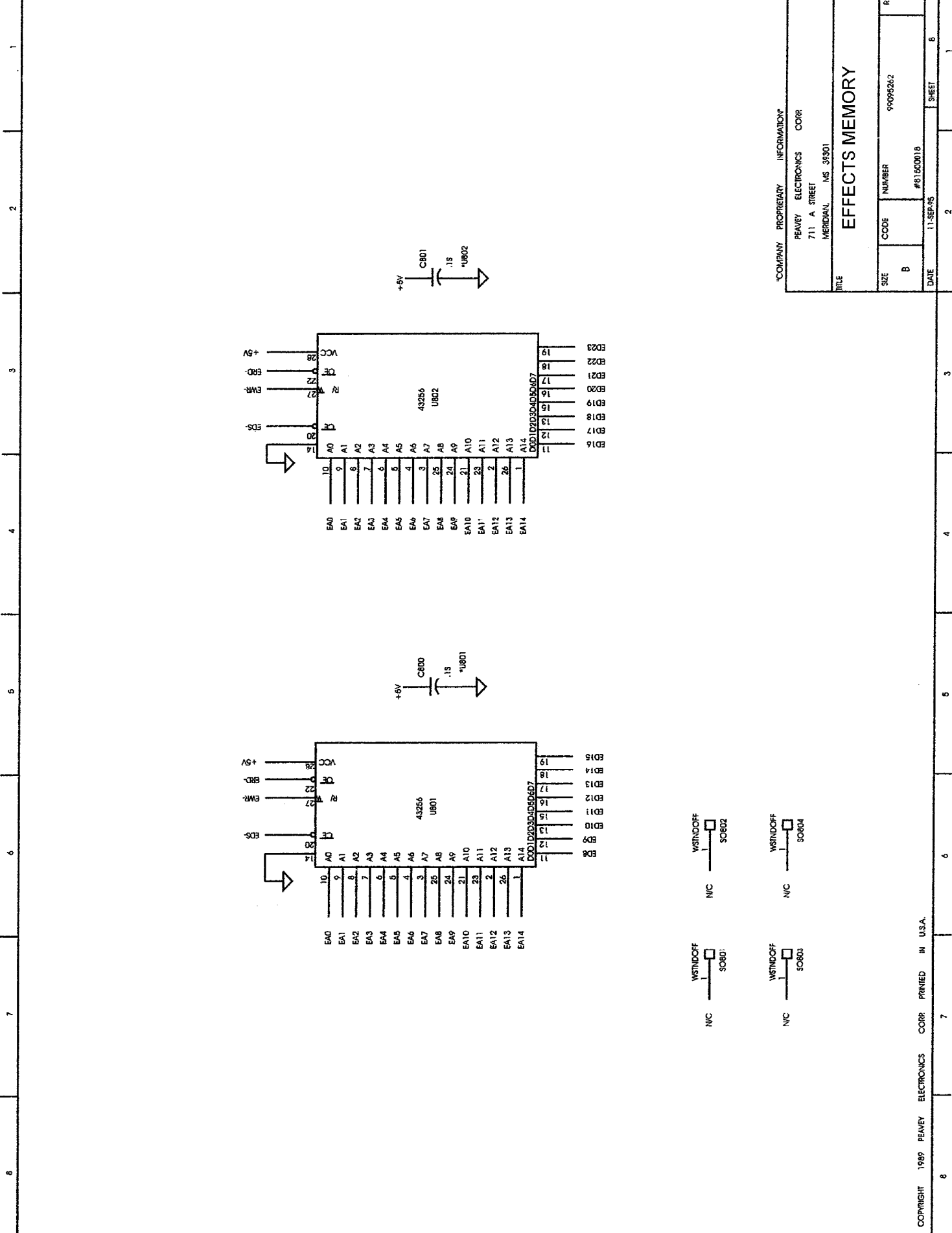
DATE	11-SEP-85	SHEET	5
REV	9909262		
NUMBER	#8160018		
CODE	B		
SITE			

NOTE: HIGHEST REF: R714, C709, U701



REANEY ELECTRONICS CORP. 711 A STREET MERIDIAN, MS 39301	
TITLE EFFECTS 56K	
SIZE B	CODE NUMBER 99096262
DATE 11-SEP-98	#81500018
SHEET 7	

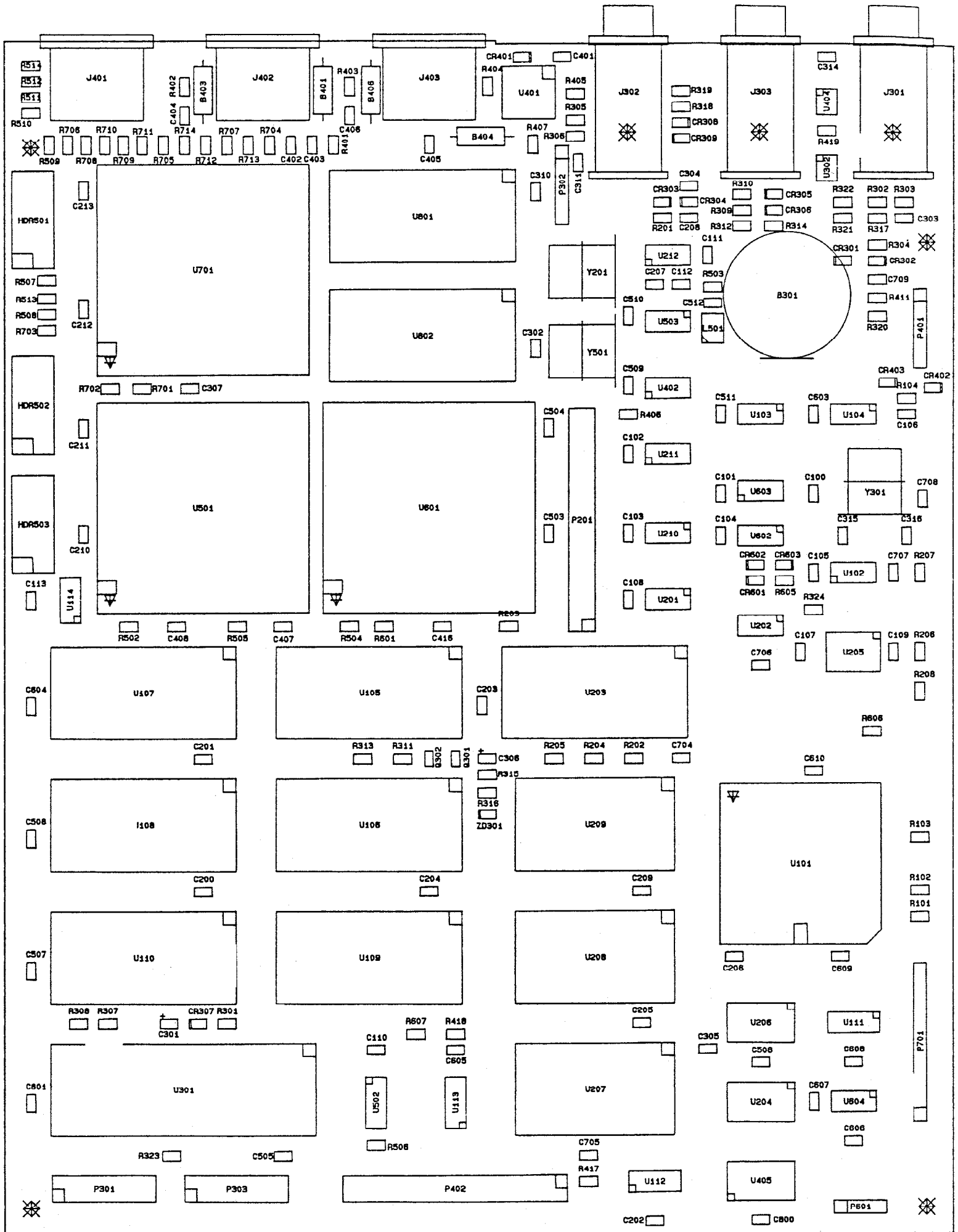
COMPANY PROPRIETARY INFORMATION

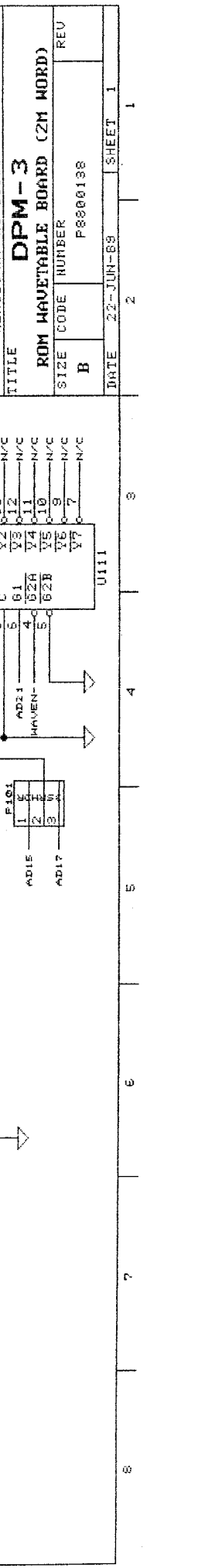
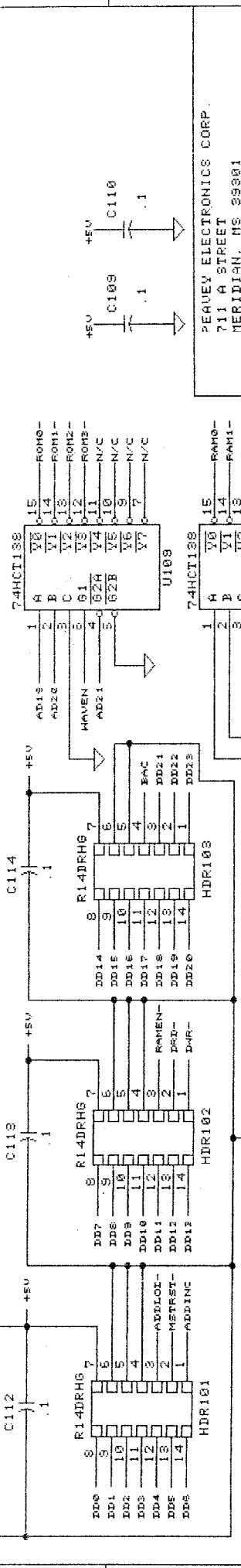
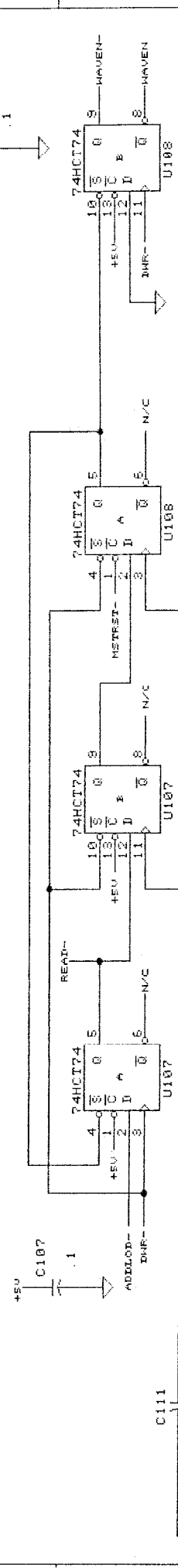
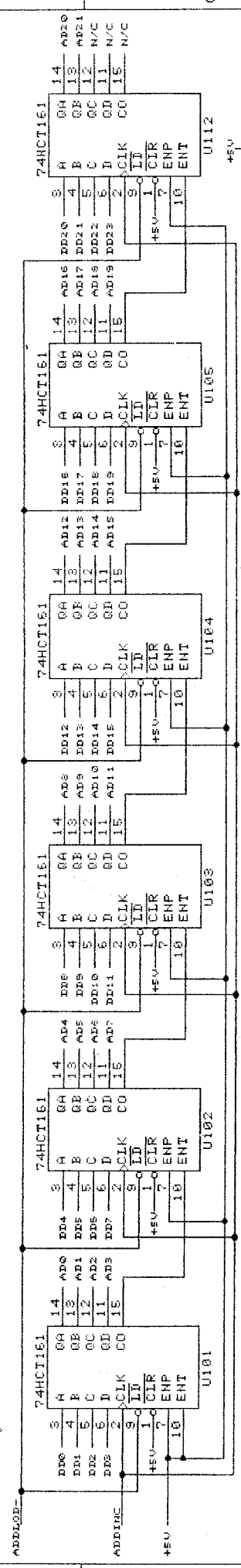
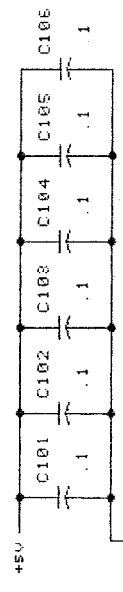
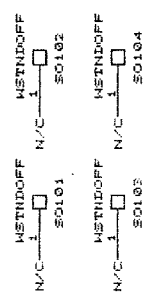


COMPANY PROPRIETARY INFORMATION
 PEAVEY ELECTRONICS CORP
 711 A STREET
 MERIDIAN, MS 39001

EFFECTS MEMORY

SIZE	CODE	NUMBER	REV
B		9009262	
DATE	#61600018		SHEET 6
	11-SEP-85		1



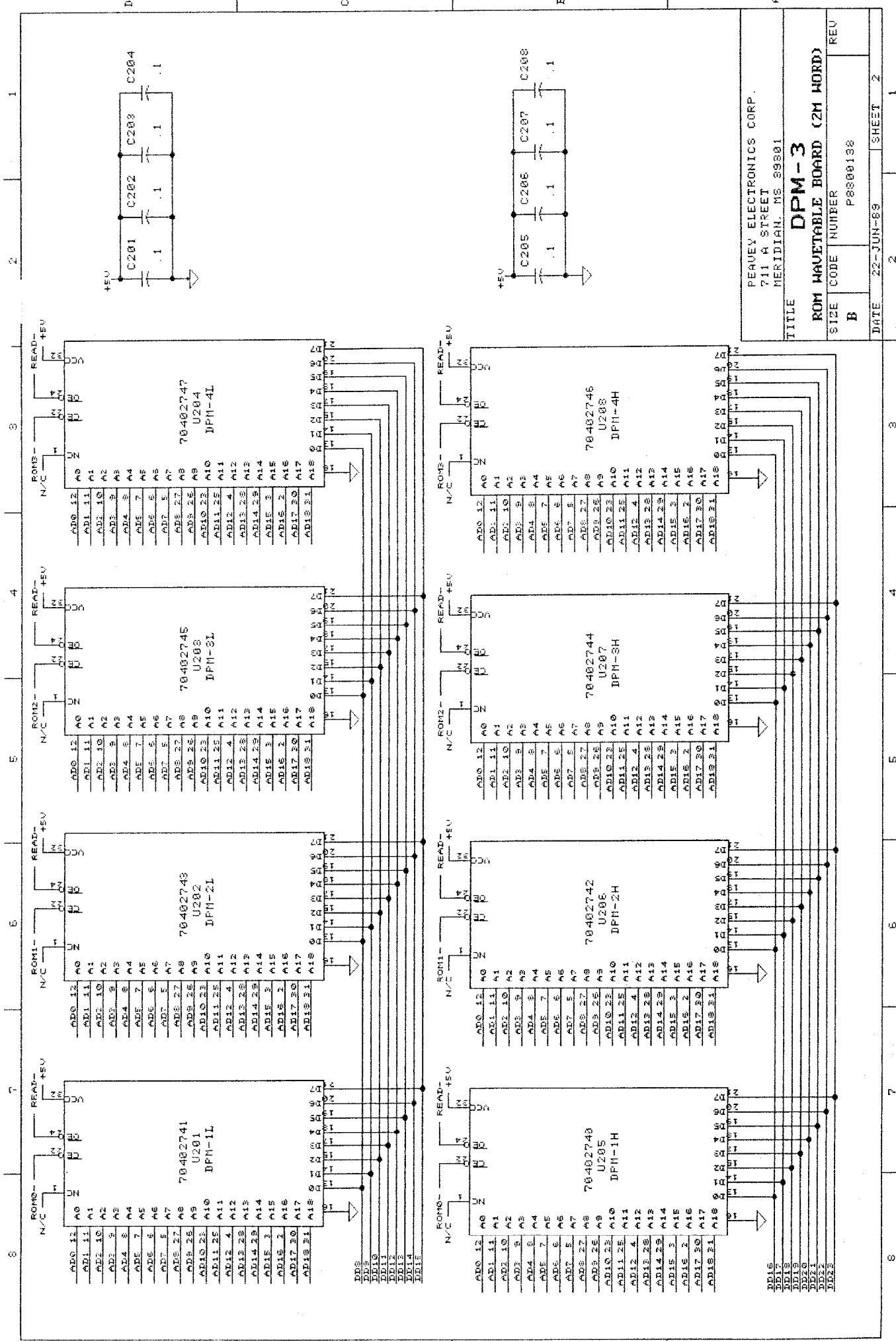


PEARNEY ELECTRONICS CORP.
 711 A STREET
 MERIDIAN, MS 39301

DPM-3
ROM HAVETABLE BOARD (2M WORD)

TITLE
 SIZE CODE NUMBER P8800138
 REV

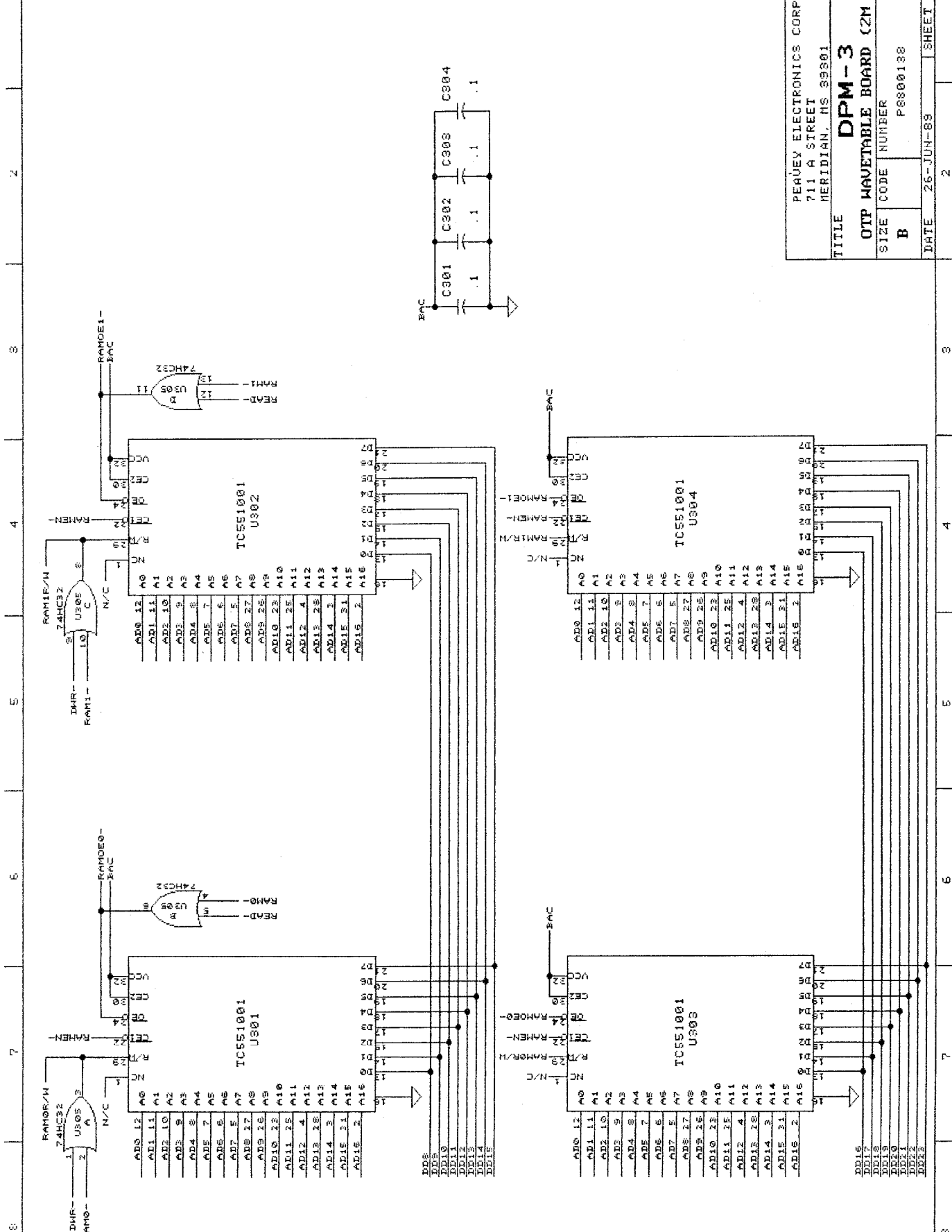
DATE 22-JUN-89 SHEET 1



PEAVEY ELECTRONICS CORP.
711 A STREET
MERIDIAN, MS 39301

DPM-3
ROM HAUTABLE BOARD (2M WORD)

TITLE	REV
SIZE	CODE
B	NUMBER
	P8800138
DATE	SHEET
22-JUN-89	2
	1



PERVEY ELECTRONICS CORP. 711 A STREET MERIDIAN, MS 39301	
TITLE DPM-3	
OTP UNAVAILABLE BOARD (2M WORD)	
SIZE	REV
B	P8800138
DATE	SHEET
26-JUN-89	3

