

NOTE HIGHEST REF CR110 R150 C135 VR106 U103 J104 S101 P100

8 7 6 5 4 3 2 1

8 7 6 5 4 3 2 1

"COMPANY PROPRIETARY INFORMATION"

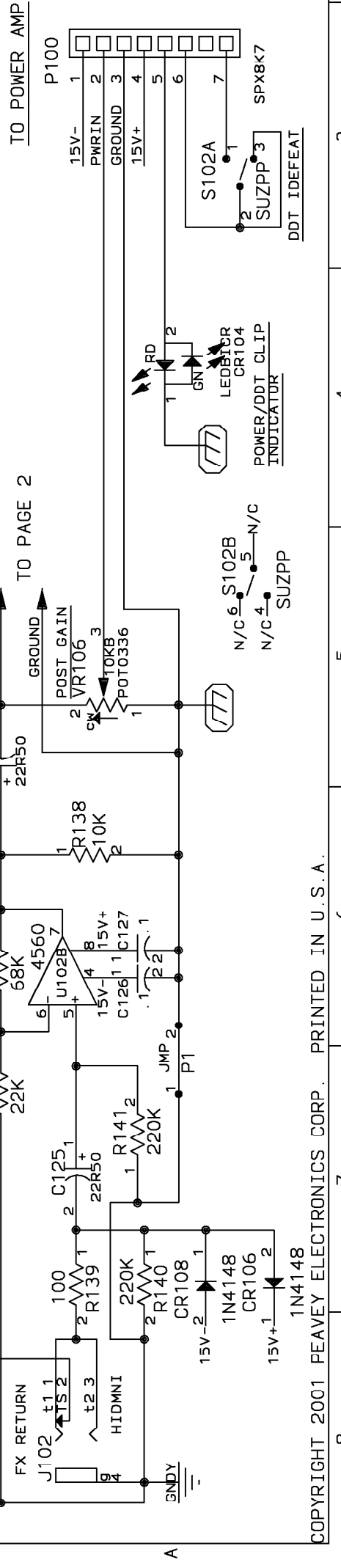
PEAVEY ELECTRONICS CORP.
711 A STREET
MERIDIAN, MISSISSIPPI 39301

TITLE: Deltabass Preamp

ENGINEER: J. Albert

SIZE	CODE	PCB #	98898930	REV
B	JRA	ASSY #	99098930	A
PRINT		PROJ #	P9700124	

DATE: 16-AUG-2001 SHEET 1 OF 2



NOTE HIGHEST REF CR110 R150 C135 VR106 U103 J104 S101 P100

8 7 6 5 4 3 2 1

8 7 6 5 4 3 2 1

"COMPANY PROPRIETARY INFORMATION"

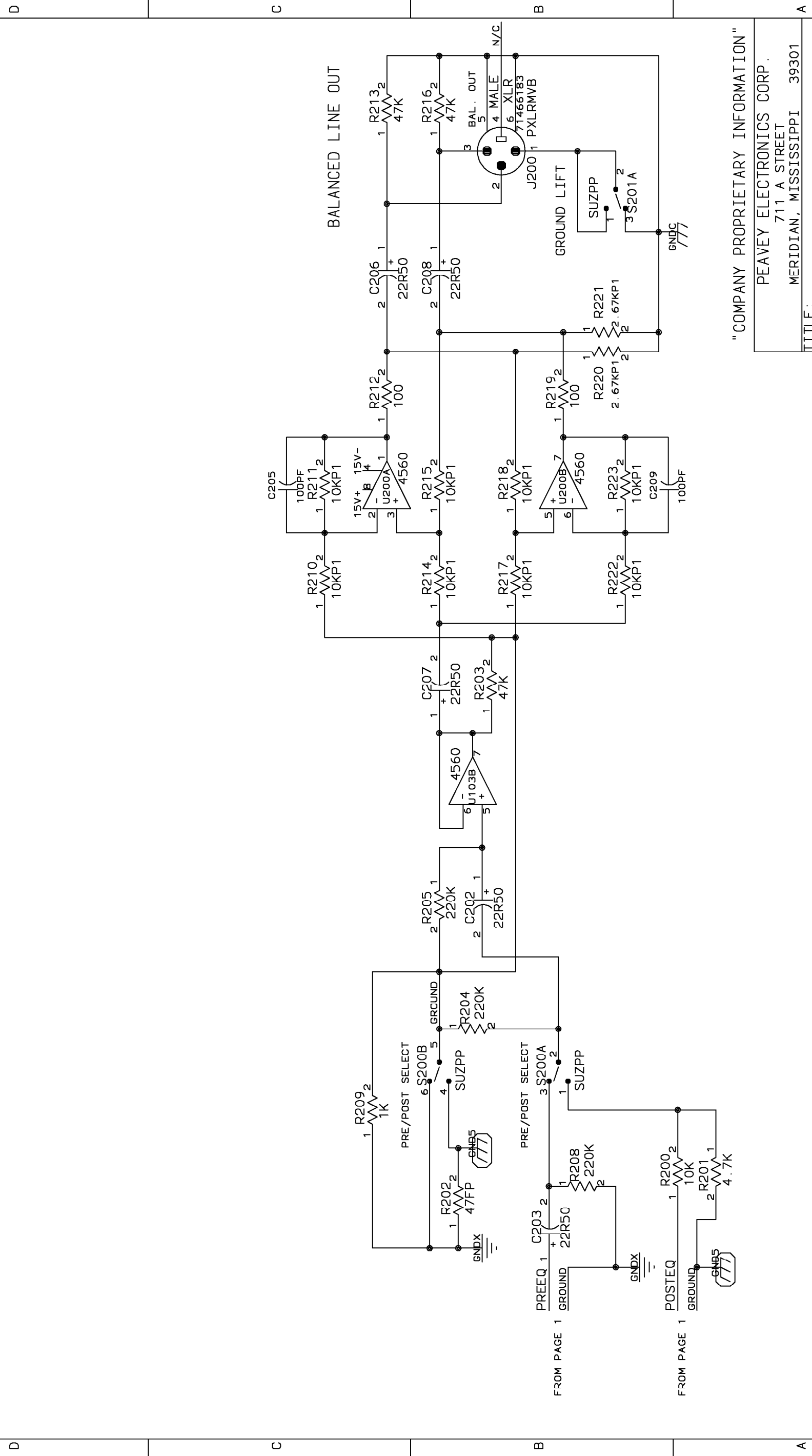
PEAVEY ELECTRONICS CORP.
711 A STREET
MERIDIAN, MISSISSIPPI 39301

TITLE: Deltabass Preamp

ENGINEER: J. Albert

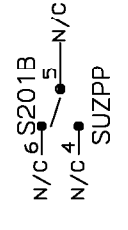
SIZE	CODE	PCB #	98898930	REV
B	JRA	ASSY #	99098930	A
PRINT		PROJ #	P9700124	

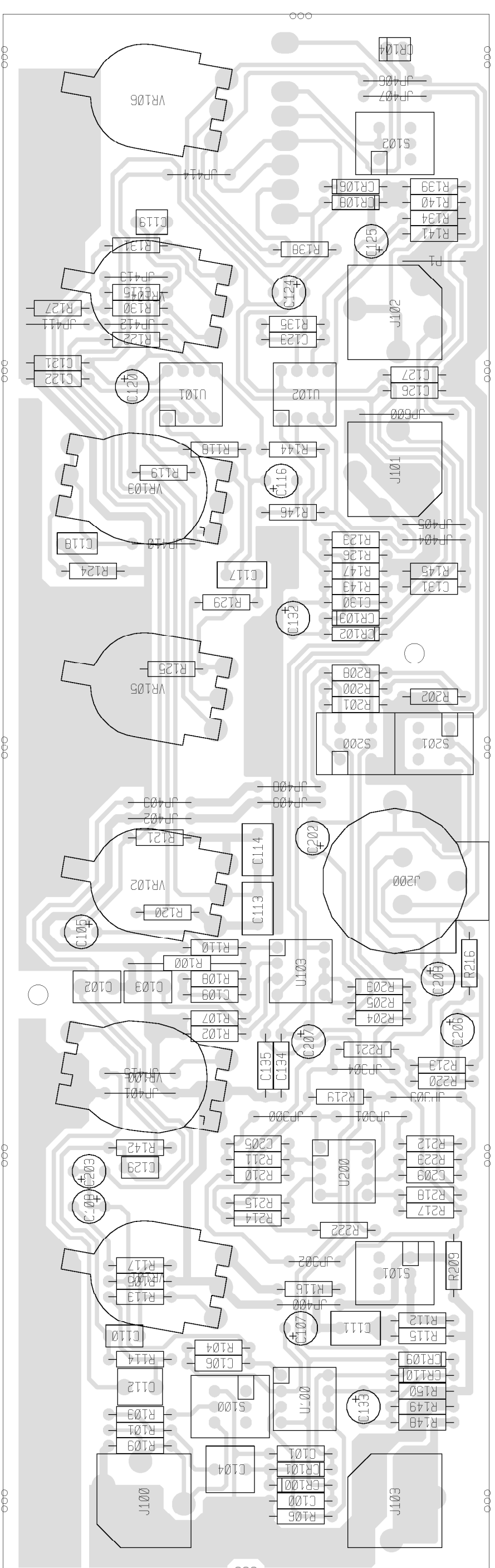
DATE: 16-AUG-2001 SHEET 1 OF 2



"COMPANY PROPRIETARY INFORMATION"

PEAVEY ELECTRONICS CORP. 711 A STREET MERIDIAN, MISSISSIPPI 39301			
TITLE: Deltabass Preamp			
ENGINEER: J. Albert	PCB #	98898930	REV
SIZE	JRA	99098930	A
B	PRINT	P9700124	
DATE: 16-AUG-2001	SHEET 2 OF 2		





Delta Bass Preamp

B I L L O F M A T E R I A L S R E P O R T

BOARD NAME: DELTABASS PR REPORT DATE: 17AUG01
 ASSEMBLY LEVEL NUMBER: 99098930 DESIGNER: FREDDIE EAVES/JKV/TDT
 PROJECT NUMBER: P9700124

CBDS

PART	PART	DESCRIPTION AND	
** QTY. NAME	VALUE	NUMBER	DEVICE DESIGNATIONS *****

1	98898930	98898930	98898930 PCB
2	.0033M	.0033M	70330130 .0033M 5% 50vdc my T&A
			C110, C129
1	.0047M	.0047M	70330116 .0047 MFD 50VDC 5% MY T&A
			C118
1	.0068M	.0068M	70330117 .0068mf---5%---50vdc---my---t&a
			C119
1	.018M	.018M	70330126 .018M 5% 50vdc my T&A

C117

1 .033M .033M 70330115 .033 MFD 50VDC 5% MY T&A

C111

2 .068M .068M 70330124 .068M 5% 50vdc my T&A

C113, C114

8 .1 .1 70340100 .1MF-----+80-20%--50VDC----AXL----T&R

C100, C101, C121, C122, C126, C127,
C134, C135

2 .33RP2 .33RP2 70330145 .33MF-----2%-----50VDC----PP----T&A

C102, C103

1 .47SF2 .47SF2 70330148 .47MF 5% 100VDC SF T&A

C112

1 .82M .82M 70330122 .82mf 5% 50vdc my T&A

C104

5 100 100 70240010 100---1/4W--5%----CF--T&R

R123, R139, R148, R212, R219

1 100K 100K 70240034 100K--1/4W--5%----CF--T&R

R115

7 100PF 100PF 70340054 100PF-----10%-----50VDC----T/C----T&R

C106, C109, C115, C130, C131, C205, C209

15 10K 10K 70240025 10K---1/4W--5%----CF--T&R

R105, R110, R113, R114, R118, R119,
R121, R125, R126, R127, R138, R147,
R149, R150, R200

8 10KP1 10KP1 70241050 10K---1/4W--1%----MF--T&R

R210, R211, R214, R215, R217, R218,
R222, R223

4 15K 15K 70240027 15K---1/4W--5%----CF--T&R

R100, R102, R122, R142

1 180PF 180PF 70340056 180PF-----10%-----50VDC----T/C----T&R

C123

1	1K	1K	70240017	1K----1/4W--5%-----CF--T&R
				R209
1	1M	1M	70240039	1M----1/4W--5%-----CF--T&R
				R109
8	1N4148	4148	70464148	1N4148 75V 10MA SILICON DIODE
				CR100, CR101, CR102, CR103, CR106, CR108, CR109, CR110
2	2.67KP1	2.67KP1	70241018	2.67K-1/4W--1%-----MF--T&R
				R220, R221
4	2.7K	2.7K	70240021	2.7K--1/4W--5%-----CF--T&R
				R112, R117, R130, R131
6	220K	220K	70240036	220K--1/4W--5%-----CF--T&R
				R106, R140, R141, R204, R205, R208
6	22K	22K	70240029	22K---1/4W--5%-----CF--T&R

				R103, R104, R108, R134, R144, R146
14	22R50	22R50	70320181	22MF-----20%-----50VDC---EL--T&A
				C105, C107, C108, C116, C120, C124, C125, C132, C133, C202, C203, C206, C207, C208
1	33K	33K	70240030	33K---1/4W--5%-----CF--T&R
				R107
2	4.7K	4.7K	70240023	4.7K--1/4W--5%-----CF--T&R
				R120, R201
5	4560	4560	70414560	4560 DUAL OP AMP IC
				U100, U101, U102, U103, U200
1	470	470	70240015	470---1/4W--5%-----CF--T&R
				R116
1	47FP	47FP	70240090	47FP--1/4W--5%-----FP--T&R
				R202
4	47K	47K	70240031	47K---1/4W--5%-----CF--T&R

R101, R203, R213, R216

2 6.8K 6.8K 70240024 6.8K--1/4W--5%-----CF--T&R

R124, R129

3 68K 68K 70240032 68K---1/4W--5%-----CF--T&R

R135, R143, R145

6 937SOWU 70900786 70900786 SPACER, 15/16,R(#4),.187 SWAGE ALUM.

SO1, SO2, SO3, SO4, SO5, SO6

1 HIDMI 71466215 71466215 2 TIP HID JACK INSU W/SPD

J103

3 HIDMNI 71466214 71466214 2 TIP HID JACK NINS W/SPD

J100, J101, J102

1 LEDBICR LEDBICR 70450056 LED BICOLOR (RED/GREEN) RECT., VERT.

CR104

2 POT0336 71190336 71190336 10K LIN METRIC SPIDER 1MM

VR101, VR106

3 POT0340 71190340 71190340 50K LIN MET SPIDER - W/CTR DTNT 1MM

VR102, VR104, VR105

1 POT0342 71190342 71190342 50K A/RA 20% DL MET SPDR 1MM

VR100

1 POT0343 71190343 71190343 100K 20% DL MET SPDR 1MM

VR103

1 PXLRMVB 71466183 71466183 XLB CONN VERT MALE W/BRKT

J200

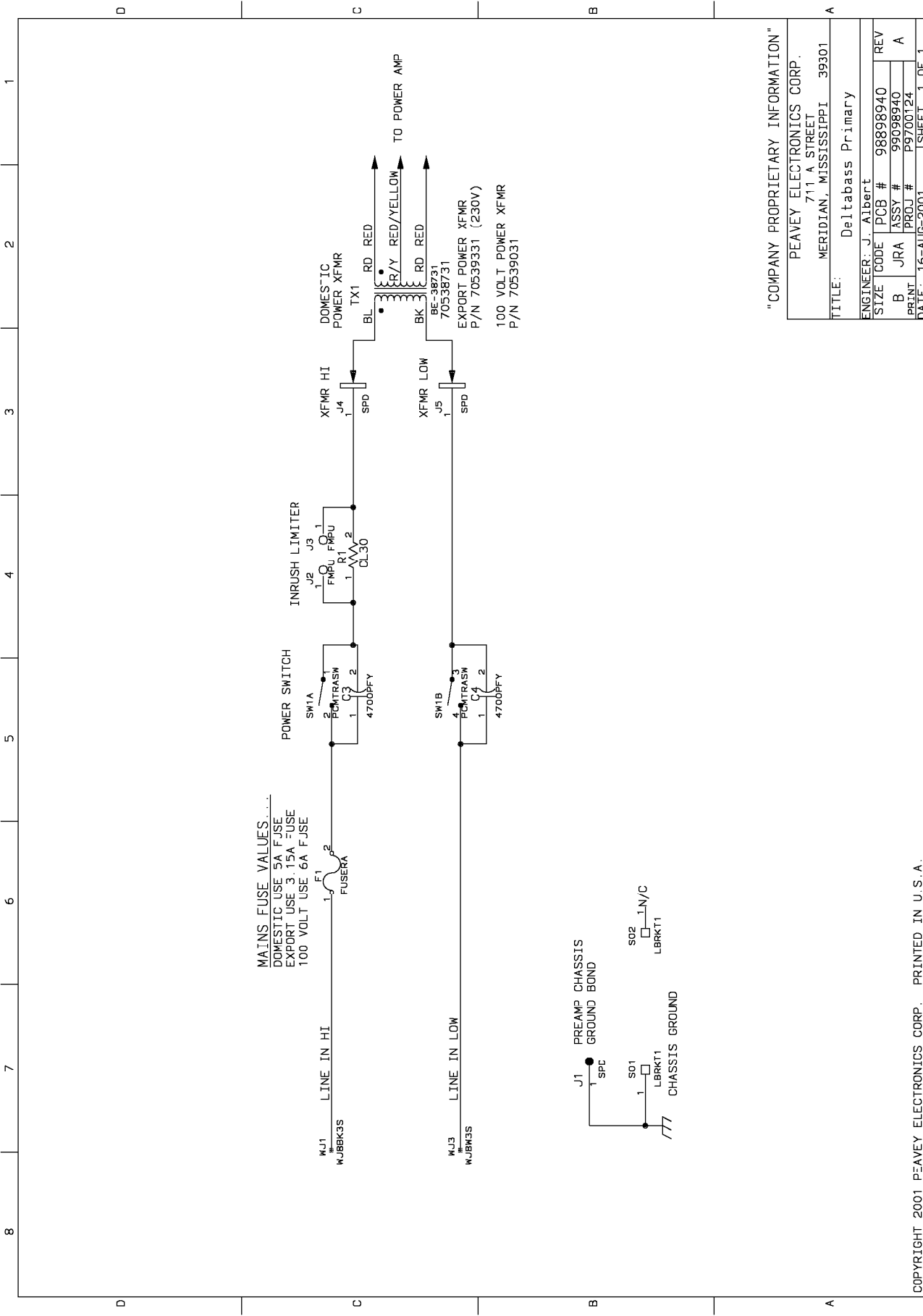
1 SPX8K7 SPX8K7 XXXXXXXX 7 EACH OF STAKE PINS

P100

5 SUZPP SUZPP 71322251 SUZ P/P SWITCH PC MOUNT

S100, S101, S102, S200, S201

* END OF BILL OF MATERIALS REPORT *

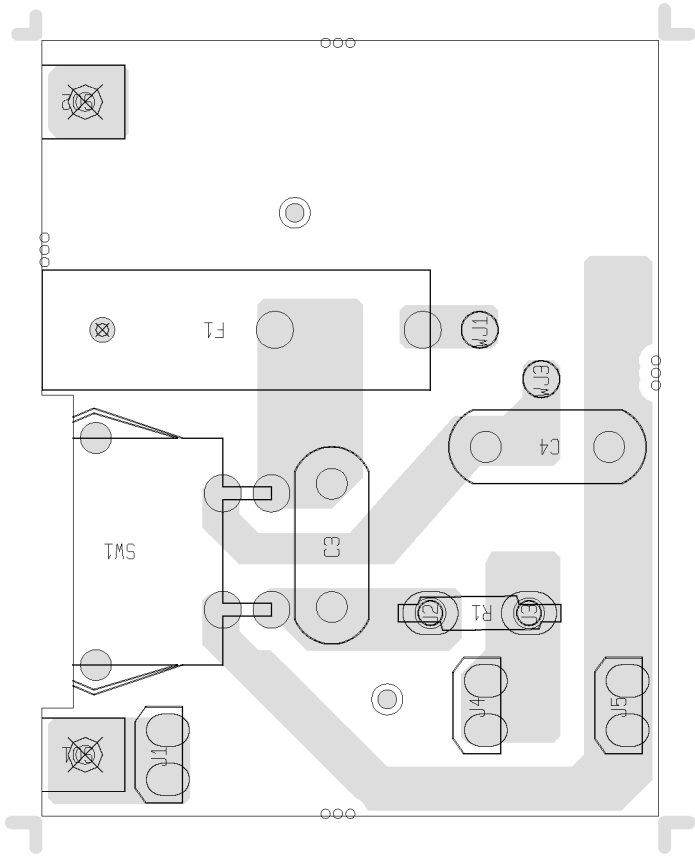


MAINS FUSE VALUES...
 DOMESTIC USE 5A FJSE
 EXPORT USE 3.15A -USE
 100 VOLT USE 6A FJSE

"COMPANY PROPRIETARY INFORMATION"
 PEAVEY ELECTRONICS CORP.
 711 A STREET
 MERIDIAN, MISSISSIPPI 39301

TITLE: Deltabass Primary

ENGINEER: J. Albert	REV
SIZE CODE PCB # 98898940	B
JRA ASSY # 99098940	A
PRINT PROJ # P9700124	
DATE: 16-AUG-2001	SHEET 1 OF 1



Delta Bass 150 Primary

B I L L O F M A T E R I A L S R E P O R T

BOARD NAME: DB150PRM REPORT DATE: 17AUG01
 ASSEMBLY LEVEL NUMBER: 99098941 DESIGNER: GARY GOODIN/KEITH VARNER
 PROJECT NUMBER: P9700124
 CBDS

PART	PART	DESCRIPTION AND	
** QTY. NAME	VALUE	NUMBER	DEVICE DESIGNATIONS *****

1	98898940	98898940	DELTABAS	PCB
---	----------	----------	----------	-----

2	4700PFY	4700PFY	70320125	4700PF, 400VAC EXP LINE CAP Y
				C3, C4

1	CL30	CL30	70240202	INRUSH CURRENT LIMITER
				R1

2	FMPU	73711811	73711811	M118-171 C.B. FEMALE MOLEX PIN
				J2, J3

1	FUSERA	70901429	70901429	EXT. FUSEHOLDER, PC MT
---	--------	----------	----------	------------------------

F1

2 LBRKT1 71500238 71500238 #/4 L-BRACKET W/4-40 HOLE

SO1, SO2

1 PCMTRASW PCMTRASW 71322377 PC MOUNT PIGHT ANGLE POWER SWITCH

SW1

3 SPD 73716194 73716194 .250 PC MNT SPADE .093 PCB

J1, J4, J5

1 WJ8BK3S WJ8BK3S 91090472 BLACK--18G--3"--CPT/250SPD

WJ1

1 WJ8W3S WJ8W3S 91090473 WHITE--18G--3"--CPT/250SPD

WJ3

* END OF BILL OF MATERIALS REPORT *