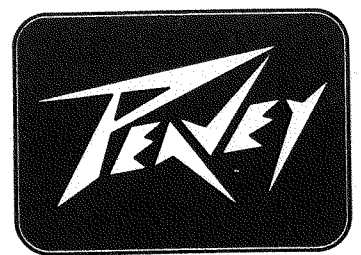


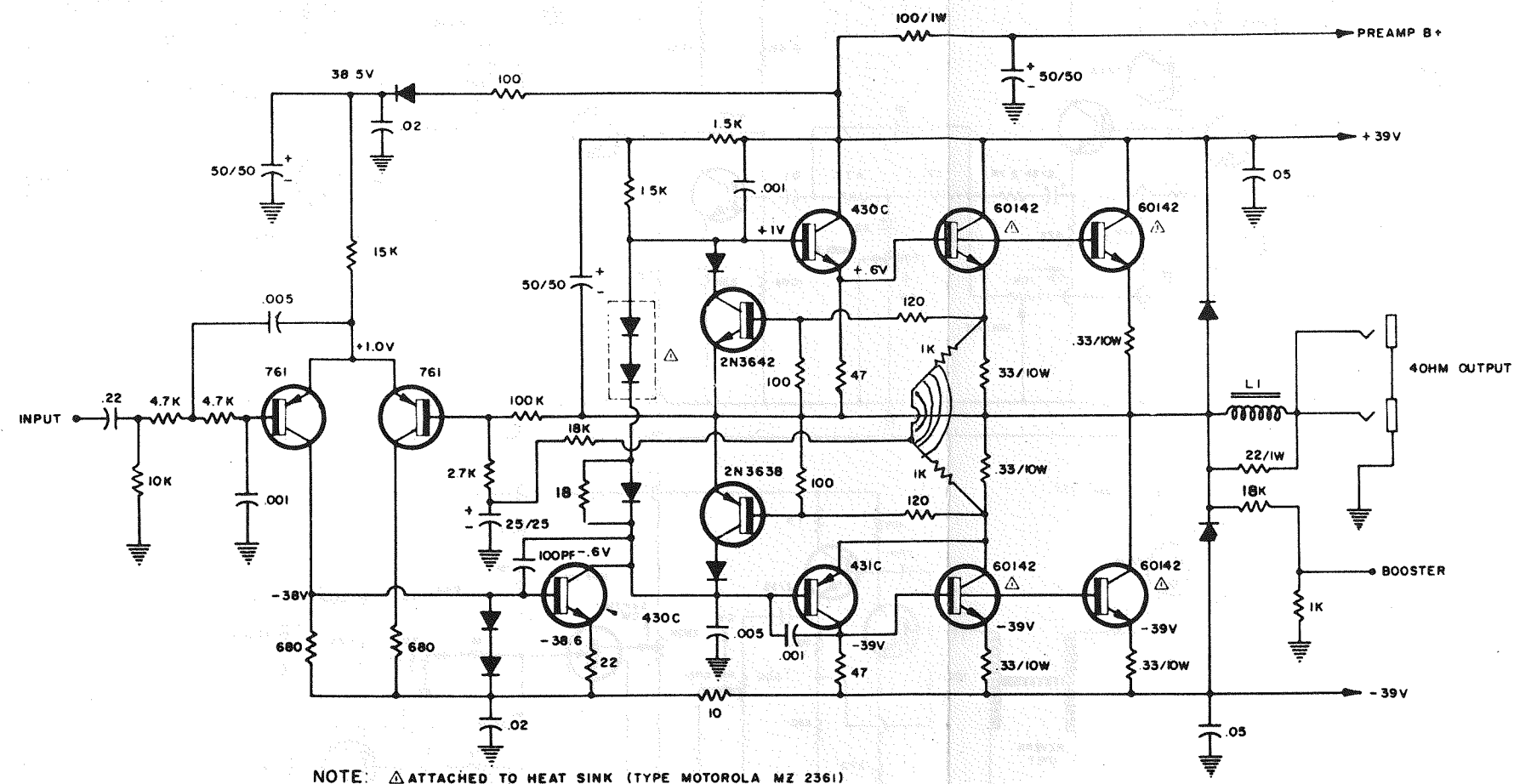
NOTE
 ALL TRANSISTORS 3P9 905 UNLESS NOTED
 ALL RESISTORS 1/2W UNLESS NOTED
 ALL CAPACITORS IN MFD UNLESS NOTED
 ALL DIODES 1A 200V PIV UNLESS NOTED



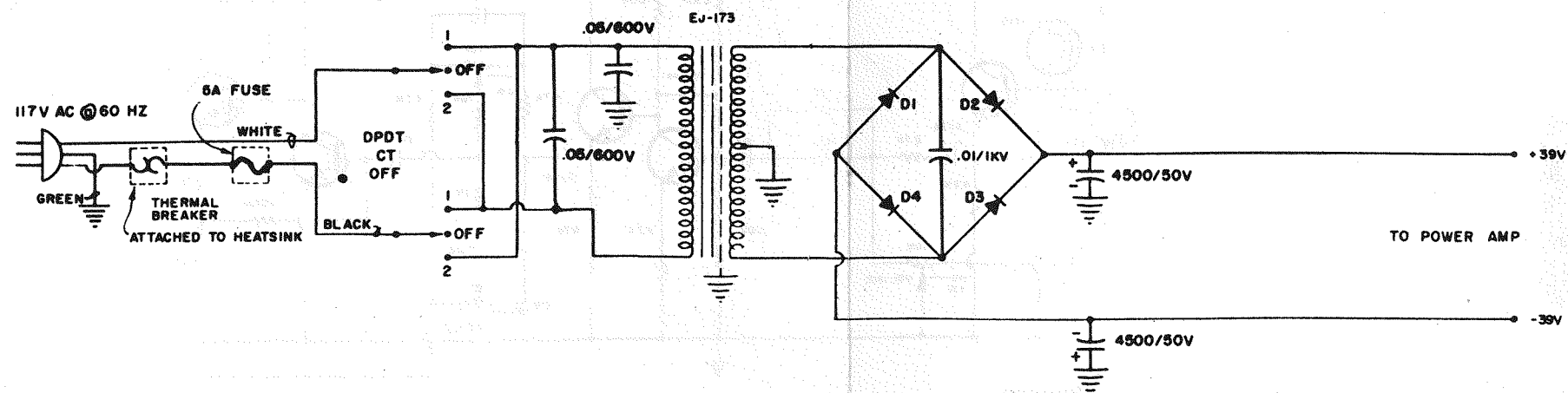
PEAVEY ELECTRONICS CORP. / 611 10th Avenue / Meridian, Mississippi

Printed In USA

DEUCE PRE AMP
 (POWER AMP ON BACK)



130 WATT POWER AMP



PEAVEY SOLID STATE POWER SUPPLY