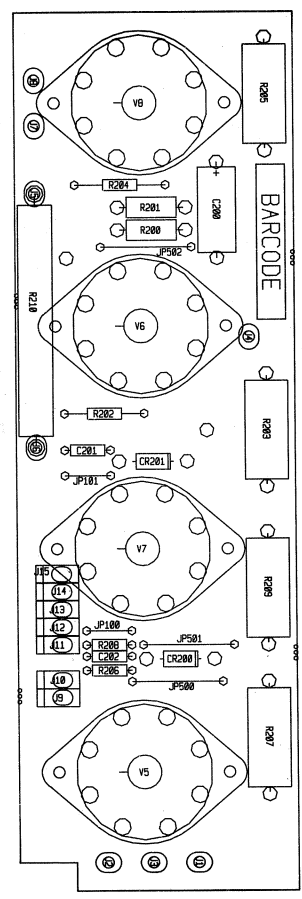
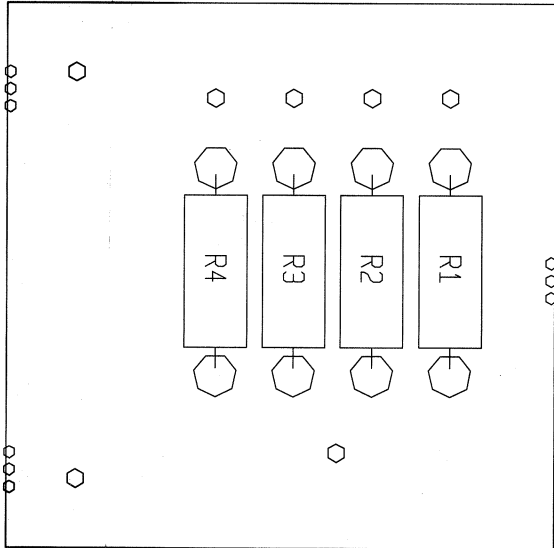


BOARD NAME: DUELEPWR  
 ASSEMBLY LEVEL NUMBER: 99072030

QTY.	PART NUMBER	DESCRIPTION AND DEVICE DESIGNATIONS
1	70320014	100 MFD 25VDC LYTIC CAP
2	70340054	C200 100PF-10%-50VDC-T/C-T&R
2	70402873	CR201, C202 SR2873 2KV, 250MA SILICON DIODE
8	73711812	CR200, CR201 R93-12 FN C.B. MALE MOLEX PIN
7	73717003	J1, J2, J3, J4, J5, J6, J7, J8 1 STRAKE PIN
2	70210003	J9, J10, J11, J12, J13, J14, J15 100-1W-5%-MG-T&R
1	70240020	R200, R201 2.2K-1/4W-5%-CF-T&R
1	70250006	R202 100-5W-10%-NW-AXL
1	70240020	R203 2.2K-1/4W-5%-CF-T&R
1	70250006	R204 100-5W-10%-NW-AXL
1	70240020	R205 2.2K-1/4W-5%-CF-T&R
1	70250006	R206 100-5W-10%-NW-AXL
1	70240020	R207 2.2K-1/4W-5%-CF-T&R
1	70250006	R208 100-5W-10%-NW-AXL
1	70250019	R209 400-10W-10%-FF-AXL
4	70806604	R210 6L6GC VACUUM TUBE W/8 PIN SOCKET V5, V6, V7, V8

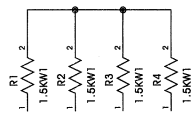
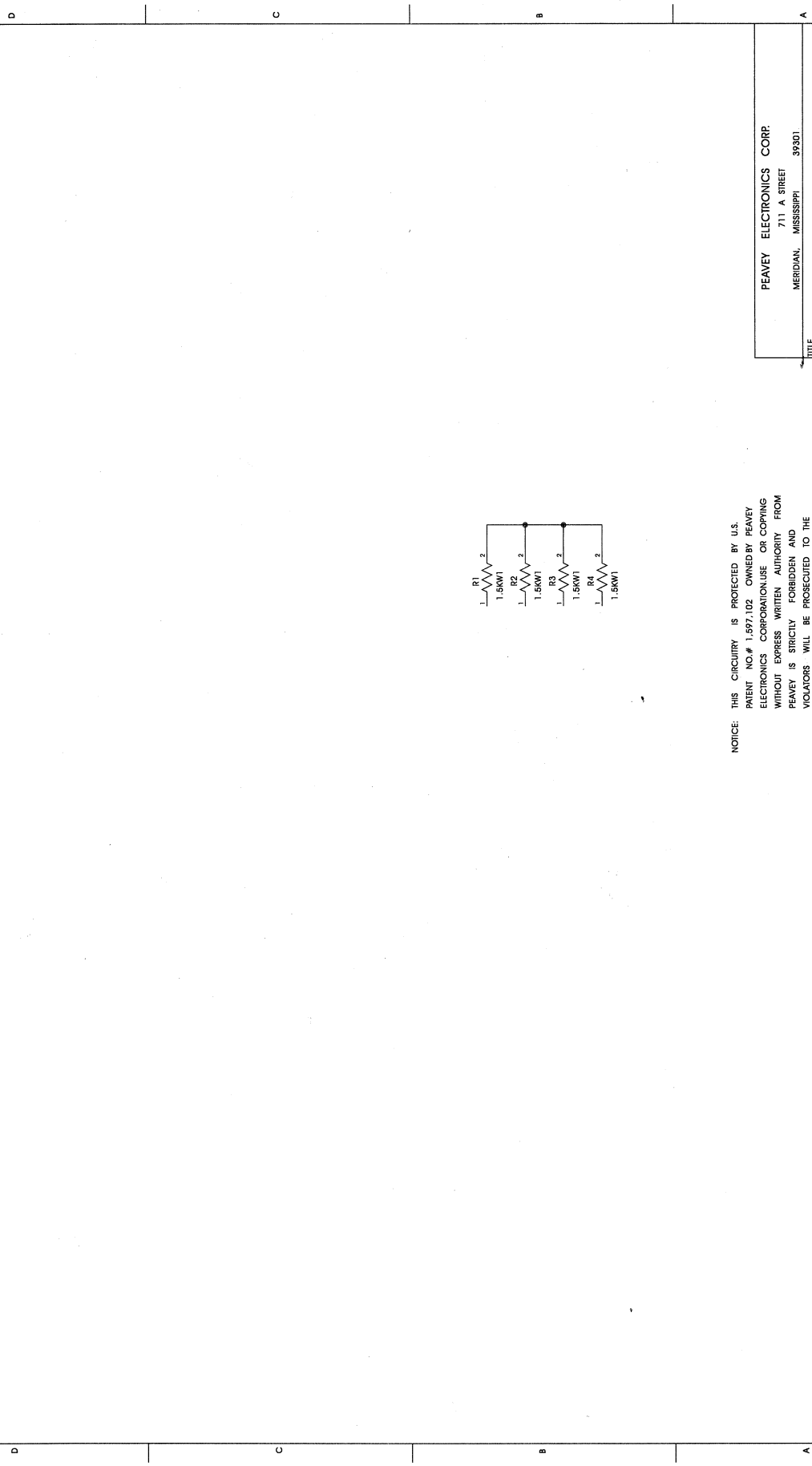






BOARD NAME: DIETERS  
 ASSEMBLY LEVEL NUMBER: 99051860  
 \*\*\*\*\*  
 \*\* QTY \*\* PART NUMBER DESCRIPTION AND DEVICE DESIGNATIONS \*\*\*\*\*  
 \*\*\*\*\*  
 4 70210007 1.5K-1W-5%-30-TERR  
 R1, R2, R3, R4  
 \*\*\*\*\*

1 2 3 4 5 6 7 8

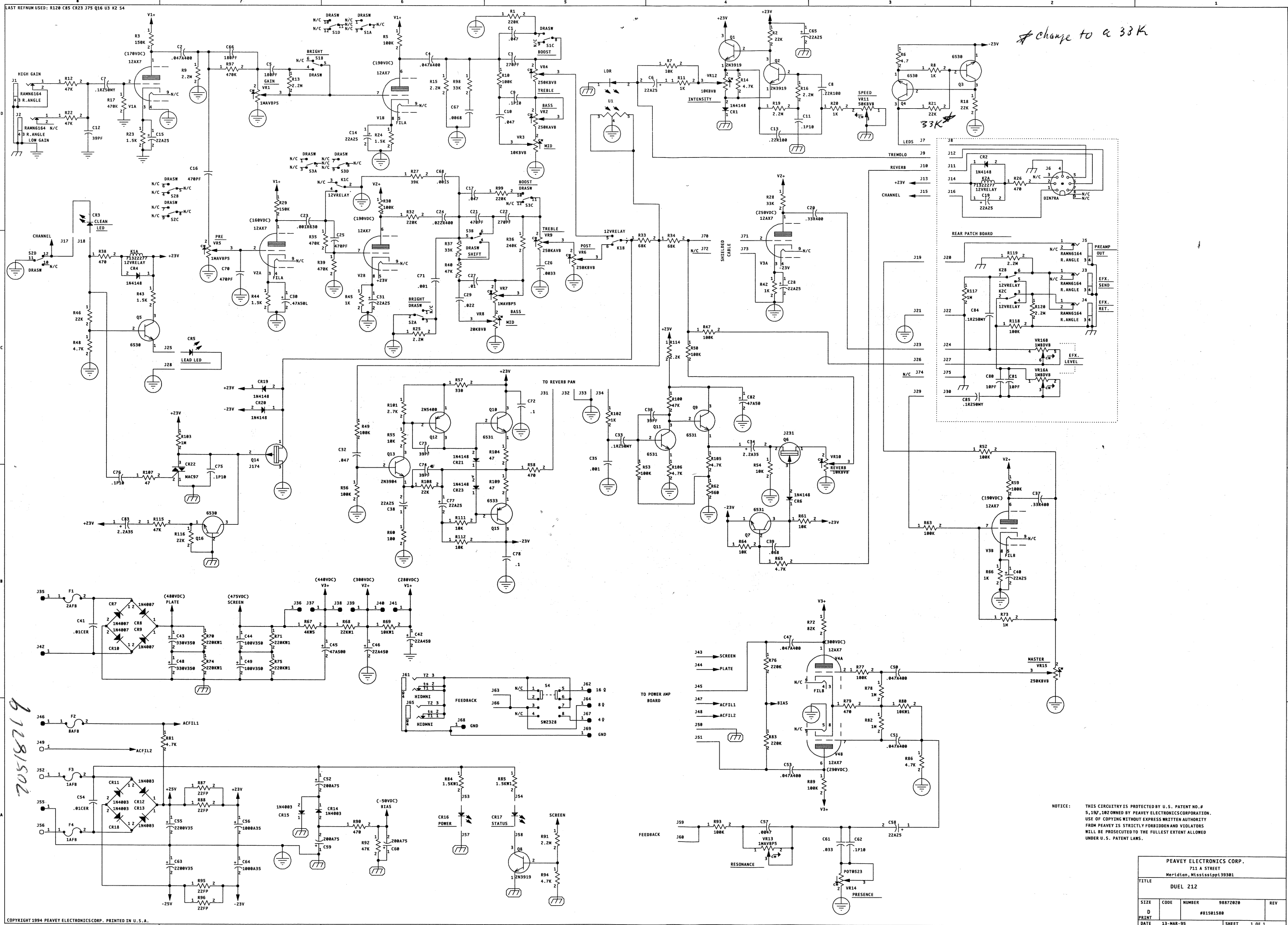


NOTICE: THIS CIRCUITRY IS PROTECTED BY U.S. PATENT NO.# 1,597,102 OWNED BY PEAVEY ELECTRONICS CORPORATION USE OR COPYING WITHOUT EXPRESS WRITTEN AUTHORITY FROM PEAVEY IS STRICTLY FORBIDDEN AND VIOLATORS WILL BE PROSECUTED TO THE FULLEST EXTENT ALLOWED UNDER U.S. PATENT LAWS.

PEAVEY ELECTRONICS CORP.  
711 A STREET  
MERIDIAN, MISSISSIPPI 39301

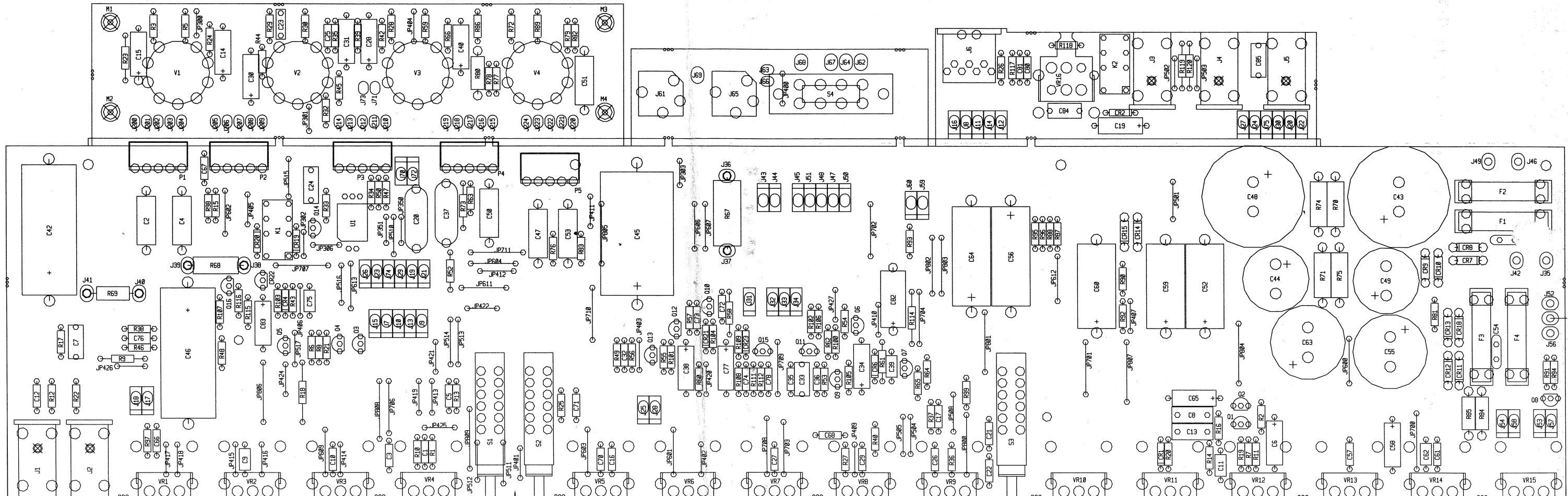
TITLE  
DUEL FOOTSWITCH BD.  
98851860

SIZE	CODE	NUMBER	REV
B		81501582	A
DATE	16-FEB-96		



NOTICE: THIS CIRCUITRY IS PROTECTED BY U.S. PATENT NO. 5,150,182 OWNED BY PEAVEY ELECTRONICS CORPORATION. USE OF COPYING WITHOUT EXPRESS WRITTEN AUTHORITY FROM PEAVEY IS STRICTLY FORBIDDEN AND VIOLATORS WILL BE PROSECUTED TO THE FULLEST EXTENT ALLOWED UNDER U.S. PATENT LAWS.

PEAVEY ELECTRONICS CORP. 711 A STREET Meridian, Mississippi 39301			
TITLE	DUEL 212		
SIZE	CODE	NUMBER	REV
D		98872028	
PRINT		#81501580	
DATE	13-MAR-95	SHEET	1 OF 1



Gain

Low

mid

High

Bright

Boost

Bright

channel select

Pre

Post

Low

mid

High

shift

Boost

Reverb

Speed

Tremolo

Intensity

Resonance

Power Amp

Presence

master Level

Clean

Lead

BOARD NAME: DUEL  
ASSEMBLY LEVEL NUMBER: 99072020

RT NUMBER	DESCRIPTION AND DEVICE DESIGNATIONS	QTY	PCB REF	DESCRIPTION AND DEVICE DESIGNATIONS	QTY	PCB REF	DESCRIPTION AND DEVICE DESIGNATIONS	QTY	PCB REF
70320012	22MFD +/-20% 25VDC EL AXL C58	1	70320012	22MFD +/-20% 25VDC EL AXL C58	1	70320012	22MFD +/-20% 25VDC EL AXL C58	1	70320012
70320017	200 MFD 75VDC LYTIC CAP C59, C60	2	70320017	200 MFD 75VDC LYTIC CAP C59, C60	2	70320017	200 MFD 75VDC LYTIC CAP C59, C60	2	70320017
70340014	.033MF-10%-50VDC-MON-T&R C61	1	70340014	.033MF-10%-50VDC-MON-T&R C61	1	70340014	.033MF-10%-50VDC-MON-T&R C61	1	70340014
70340017	.047MF-10%-50VDC-MON-T&R C1	1	70340017	.047MF-10%-50VDC-MON-T&R C1	1	70340017	.047MF-10%-50VDC-MON-T&R C1	1	70340017
70320105	.047MFD 450 VOLT T&R CAP C2	1	70320105	.047MFD 450 VOLT T&R CAP C2	1	70320105	.047MFD 450 VOLT T&R CAP C2	1	70320105
70340057	270PF-10%-50VDC-T/C-T&R C3	1	70340057	270PF-10%-50VDC-T/C-T&R C3	1	70340057	270PF-10%-50VDC-T/C-T&R C3	1	70340057
70320105	.047MFD 450 VOLT T&R CAP C4	1	70320105	.047MFD 450 VOLT T&R CAP C4	1	70320105	.047MFD 450 VOLT T&R CAP C4	1	70320105
70340056	180PF-10%-50VDC-T/C-T&R C5	1	70340056	180PF-10%-50VDC-T/C-T&R C5	1	70340056	180PF-10%-50VDC-T/C-T&R C5	1	70340056
70320012	22MFD +/-20% 25VDC EL AXL C6	1	70320012	22MFD +/-20% 25VDC EL AXL C6	1	70320012	22MFD +/-20% 25VDC EL AXL C6	1	70320012
70320096	.1 MFD 250VDC MYLAR CA/BR C7	1	70320096	.1 MFD 250VDC MYLAR CA/BR C7	1	70320096	.1 MFD 250VDC MYLAR CA/BR C7	1	70320096
70330007	.22MFD 100VDC 5% MYLAR C8	1	70330007	.22MFD 100VDC 5% MYLAR C8	1	70330007	.22MFD 100VDC 5% MYLAR C8	1	70330007
70340101	.1MF-10%-50VDC-MON-T&R C9	1	70340101	.1MF-10%-50VDC-MON-T&R C9	1	70340101	.1MF-10%-50VDC-MON-T&R C9	1	70340101
70340017	.047MF-10%-50VDC-MON-T&R C10	1	70340017	.047MF-10%-50VDC-MON-T&R C10	1	70340017	.047MF-10%-50VDC-MON-T&R C10	1	70340017
70340101	.1MF-10%-50VDC-MON-T&R C11	1	70340101	.1MF-10%-50VDC-MON-T&R C11	1	70340101	.1MF-10%-50VDC-MON-T&R C11	1	70340101
70340052	39PF-50VDC-T/C-T&R C12	1	70340052	39PF-50VDC-T/C-T&R C12	1	70340052	39PF-50VDC-T/C-T&R C12	1	70340052
70330007	.22MFD 100VDC 5% MYLAR C13	1	70330007	.22MFD 100VDC 5% MYLAR C13	1	70330007	.22MFD 100VDC 5% MYLAR C13	1	70330007
70320012	22MFD +/-20% 25VDC EL AXL C14, C15	2	70320012	22MFD +/-20% 25VDC EL AXL C14, C15	2	70320012	22MFD +/-20% 25VDC EL AXL C14, C15	2	70320012
70340058	470PF-10%-50VDC-T/C-T&R C16	1	70340058	470PF-10%-50VDC-T/C-T&R C16	1	70340058	470PF-10%-50VDC-T/C-T&R C16	1	70340058
70340017	.047MF-10%-50VDC-MON-T&R C17	1	70340017	.047MF-10%-50VDC-MON-T&R C17	1	70340017	.047MF-10%-50VDC-MON-T&R C17	1	70340017
70320012	22MFD +/-20% 25VDC EL AXL C19	1	70320012	22MFD +/-20% 25VDC EL AXL C19	1	70320012	22MFD +/-20% 25VDC EL AXL C19	1	70320012
70320107	.33MF-10%-400VDC-MYLAR-R/W C20	2	70320107	.33MF-10%-400VDC-MYLAR-R/W C20	2	70320107	.33MF-10%-400VDC-MYLAR-R/W C20	2	70320107
70340058	470PF-10%-50VDC-T/C-T&R C21	4	70340058	470PF-10%-50VDC-T/C-T&R C21	4	70340058	470PF-10%-50VDC-T/C-T&R C21	4	70340058
70340057	270PF-10%-50VDC-T/C-T&R C22	4	70340057	270PF-10%-50VDC-T/C-T&R C22	4	70340057	270PF-10%-50VDC-T/C-T&R C22	4	70340057
70320160	.001MFD 630VDC B-BOX C23	6	70320160	.001MFD 630VDC B-BOX C23	6	70320160	.001MFD 630VDC B-BOX C23	6	70320160
70320106	.022 MFD 400V RADIAL MYLAR C24	3	70320106	.022 MFD 400V RADIAL MYLAR C24	3	70320106	.022 MFD 400V RADIAL MYLAR C24	3	70320106
70340058	470PF-10%-50VDC-T/C-T&R C25	1	70340058	470PF-10%-50VDC-T/C-T&R C25	1	70340058	470PF-10%-50VDC-T/C-T&R C25	1	70340058
70340006	.0033MF-10%-50VDC-T/C-T&R C26	1	70340006	.0033MF-10%-50VDC-T/C-T&R C26	1	70340006	.0033MF-10%-50VDC-T/C-T&R C26	1	70340006
70340011	.01MF-10%-50VDC-T/C-T&R C27	1	70340011	.01MF-10%-50VDC-T/C-T&R C27	1	70340011	.01MF-10%-50VDC-T/C-T&R C27	1	70340011
70320012	22MFD +/-20% 25VDC EL AXL C28	1	70320012	22MFD +/-20% 25VDC EL AXL C28	1	70320012	22MFD +/-20% 25VDC EL AXL C28	1	70320012
70340012	.022MF-10%-50VDC-MON-T&R C29	2	70340012	.022MF-10%-50VDC-MON-T&R C29	2	70340012	.022MF-10%-50VDC-MON-T&R C29	2	70340012
70340063	.47MFD 50V LOW LEAKAGE C30	5	70340063	.47MFD 50V LOW LEAKAGE C30	5	70340063	.47MFD 50V LOW LEAKAGE C30	5	70340063
70320012	22MFD +/-20% 25VDC EL AXL C31	1	70320012	22MFD +/-20% 25VDC EL AXL C31	1	70320012	22MFD +/-20% 25VDC EL AXL C31	1	70320012
70340017	.047MF-10%-50VDC-MON-T&R C32	28	70340017	.047MF-10%-50VDC-MON-T&R C32	28	70340017	.047MF-10%-50VDC-MON-T&R C32	28	70340017
70320096	.1 MFD 250VDC MYLAR CA/BR C33	1	70320096	.1 MFD 250VDC MYLAR CA/BR C33	1	70320096	.1 MFD 250VDC MYLAR CA/BR C33	1	70320096
70320200	2.2MFD 35VDC LY.CAP T&R C34	1	70320200	2.2MFD 35VDC LY.CAP T&R C34	1	70320200	2.2MFD 35VDC LY.CAP T&R C34	1	70320200
70340000	.001MF-10%-50VDC-MON-T&R C35	8	70340000	.001MF-10%-50VDC-MON-T&R C35	8	70340000	.001MF-10%-50VDC-MON-T&R C35	8	70340000
70340052	39PF-50VDC-T/C-T&R C36	3	70340052	39PF-50VDC-T/C-T&R C36	3	70340052	39PF-50VDC-T/C-T&R C36	3	70340052
70320107	.33MF-10%-400VDC-MYLAR-R/W C37	2	70320107	.33MF-10%-400VDC-MYLAR-R/W C37	2	70320107	.33MF-10%-400VDC-MYLAR-R/W C37	2	70320107
70320012	22MFD +/-20% 25VDC EL AXL C38	1	70320012	22MFD +/-20% 25VDC EL AXL C38	1	70320012	22MFD +/-20% 25VDC EL AXL C38	1	70320012
70340018	.068MF-10%-50VDC-MON-T&R C39	2	70340018	.068MF-10%-50VDC-MON-T&R C39	2	70340018	.068MF-10%-50VDC-MON-T&R C39	2	70340018
70320012	22MFD +/-20% 25VDC EL AXL C40	2	70320012	22MFD +/-20% 25VDC EL AXL C40	2	70320012	22MFD +/-20% 25VDC EL AXL C40	2	70320012
70320099	.01 MFD 1000VDC CD -UNCUT C41	1	70320099	.01 MFD 1000VDC CD -UNCUT C41	1	70320099	.01 MFD 1000VDC CD -UNCUT C41	1	70320099
70320020	22 MFD 450VDC LYTIC CAP C42	1	70320020	22 MFD 450VDC LYTIC CAP C42	1	70320020	22 MFD 450VDC LYTIC CAP C42	1	70320020
70320169	330 MFD 350 VDC VERT. SNAP-IN C43	1	70320169	330 MFD 350 VDC VERT. SNAP-IN C43	1	70320169	330 MFD 350 VDC VERT. SNAP-IN C43	1	70320169
70320130	100 MFD 350VDC RADIAL SNAP-IN C44	4	70320130	100 MFD 350VDC RADIAL SNAP-IN C44	4	70320130	100 MFD 350VDC RADIAL SNAP-IN C44	4	70320130
70320005	47MF 500VDC ELECTROLYTIC -AXIAL C45	1	70320005	47MF 500VDC ELECTROLYTIC -AXIAL C45	1	70320005	47MF 500VDC ELECTROLYTIC -AXIAL C45	1	70320005
70320020	22 MFD 450VDC LYTIC CAP C46	1	70320020	22 MFD 450VDC LYTIC CAP C46	1	70320020	22 MFD 450VDC LYTIC CAP C46	1	70320020
70320105	.047MFD 450 VOLT T&R CAP C47	1	70320105	.047MFD 450 VOLT T&R CAP C47	1	70320105	.047MFD 450 VOLT T&R CAP C47	1	70320105
70320169	330 MFD 350 VDC VERT. SNAP-IN C48	1	70320169	330 MFD 350 VDC VERT. SNAP-IN C48	1	70320169	330 MFD 350 VDC VERT. SNAP-IN C48	1	70320169
70320130	100 MFD 350VDC RADIAL SNAP-IN C49	1	70320130	100 MFD 350VDC RADIAL SNAP-IN C49	1	70320130	100 MFD 350VDC RADIAL SNAP-IN C49	1	70320130
70320105	.047MFD 450 VOLT T&R CAP C50, C51	2	70320105	.047MFD 450 VOLT T&R CAP C50, C51	2	70320105	.047MFD 450 VOLT T&R CAP C50, C51	2	70320105
70320017	200 MFD 75VDC LYTIC CAP C52	1	70320017	200 MFD 75VDC LYTIC CAP C52	1	70320017	200 MFD 75VDC LYTIC CAP C52	1	70320017
70320105	.047MFD 450 VOLT T&R CAP C53	1	70320105	.047MFD 450 VOLT T&R CAP C53	1	70320105	.047MFD 450 VOLT T&R CAP C53	1	70320105
70320099	.01 MFD 1000VDC CD -UNCUT C54	1	70320099	.01 MFD 1000VDC CD -UNCUT C54	1	70320099	.01 MFD 1000VDC CD -UNCUT C54	1	70320099
70320113	2200 MFD 35VDC RADIAL LYTIC C55	1	70320113	2200 MFD 35VDC RADIAL LYTIC C55	1	70320113	2200 MFD 35VDC RADIAL LYTIC C55	1	70320113
70320038	1000 MFD 35VDC LYTIC CAP C56	1	70320038	1000 MFD 35VDC LYTIC CAP C56	1	70320038	1000 MFD 35VDC LYTIC CAP C56	1	70320038
70340007	.0047MF-10%-50VDC-MON-T&R C57	2	70340007	.0047MF-10%-50VDC-MON-T&R C57	2	70340007	.0047MF-10%-50VDC-MON-T&R C57	2	70340007
73717003	1 STAKE PIN J74, J75	25	73717003	1 STAKE PIN J74, J75	25	73717003	1 STAKE PIN J74, J75	25	73717003
70240023	4.7K-1/4W-5%-CF-T&R R48	1	70240023	4.7K-1/4W-5%-CF-T&R R48	1	70240023	4.7K-1/4W-5%-CF-T&R R48	1	70240023
70240034	100K-1/4W-5%-CF-T&R R49, R50, R52, R53	4	70240034	100K-1/4W-5%-CF-T&R R49, R50, R52, R53	4	70240034	100K-1/4W-5%-CF-T&R R49, R50, R52, R53	4	70240034
70240025	10K-1/4W-5%-CF-T&R R54, R55	2	70240025	10K-1/4W-5%-CF-T&R R54, R55	2	70240025	10K-1/4W-5%-CF-T&R R54, R55	2	70240025
70240034	100K-1/4W-5%-CF-T&R R56	1	70240034	100K-1/4W-5%-CF-T&R R56	1	70240034	100K-1/4W-5%-CF-T&R R56	1	70240034
70240014	330-1/4W-5%-CF-T&R R57	4	70240014	330-1/4W-5%-CF-T&R R57	4	70240014	330-1/4W-5%-CF-T&R R57	4	70240014
70240015	470-1/4W-5%-CF-T&R R58	1	70240015	470-1/4W-5%-CF-T&R R58	1	70240015	470-1/4W-5%-CF-T&R R58	1	70240015
70240034	100K-1/4W-5%-CF-T&R R59	1	70240034	100K-1/4W-5%-CF-T&R R59	1	70240034	100K-1/4W-5%-CF-T&R R59	1	70240034
70240010	100-1/4W-5%-CF-T&R R60	1	70240010	100-1/4W-5%-CF-T&R R60	1	70240010	100-1/4W-5%-CF-T&R R60	1	70240010
70240025	10K-1/4W-5%-CF-T&R R61	1	70240025	10K-1/4W-5%-CF-T&R R61	1	70240025	10K-1/4W-5%-CF-T&R R61	1	70240025
70240050	560-1/4W-5%-CF-T&R R62	1	70240050	560-1/4W-5%-CF-T&R R62	1	70240050	560-1/4W-5%-CF-T&R R62	1	70240050
70240034	100K-1/4W-5%-CF-T&R R63	1	70240034	100K-1/4W-5%-CF-T&R R63	1	70240034	100K-1/4W-5%-CF-T&R R63	1	70240034
70240025	10K-1/4W-5%-CF-T&R R64	1	70240025	10K-1/4W-5%-CF-T&R R64	1	70240025	10K-1/4W-5%-CF-T&R R64	1	70240025
70240023	4.7K-1/4W-5%-CF-T&R R65	1	70240023	4.7K-1/4W-5%-CF-T&R R65	1	70240023	4.7K-1/4W-5%-CF-T&R R65	1	70240023
70240017	1K-1/4W-5%-CF-T&R R66	1	70240017	1K-1/4W-5%-CF-T&R R66	1	70240017	1K-1/4W-5%-CF-T&R R66	1	70240017
70250050	4K-5W-10%-WW-AXL R67	1	70250050	4K-5W-10%-WW-AXL R67	1	70250050	4K-5W-10%-WW-AXL R67	1	70250050
70210005	22K-1W-5%-MO-T&R R68	1	70210005	22K-1W-5%-MO-T&R R68	1	70210005	22K-1W-5%-MO-T&R R68	1	70210005
70210018	10K-1W-5%-MO-T&R R69	1	70210018	10K-1W-5%-MO-T&R R69	1	70210018	10K-1W-5%-MO-T&R R69	1	70210018
70210008	220K-1W-5%-MO-T&R R70, R71	1	70210008	220K-1W-5%-MO-T&R R70, R71	1	70210008	220K-1W-5%-MO-T&R R70, R71	1	70210008
70240033	82K-1/4W-5%-CF-T&R R72	1	70240033	82K-1/4W-5%-CF-T&R R72	1	70240033	82K-1/4W-5%-CF-T&R R72	1	70240033
70240039	1M-1/4W-5%-CF-T&R R73	1	70240039	1M-1/4W-5%-CF-T&R R73	1	70240039	1M-1/4W-5%-CF-T&R R73	1	70240039
70210008	220K-1W-5%-MO-T&R R74, R75	1	70210008	220K-1W-5%-MO-T&R R74, R75	1	70210008	220K-1W-5%-MO-T&R R74, R75	1	70210008
70240036	220K-1/4W-5%-CF-T&R R76	1	70240036	220K-1/4W-5%-CF-T&R R76	1	70240036	220K-1/4W-5%-CF-T&R R76	1	70240036
70240034	100K-1/4W-5%-CF-T&R R77	1	70240034	100K-1/4W-5%-CF-T&R R77	1	70240034	100K-1/4W-5%-CF-T&R R77	1	70240034
70240039	1M-1/4W-5%-CF-T&R R78	1	70240039	1M-1/4W-5%-CF-T&R R78	1	70240039	1M-1/4W-5%-CF-T&R R78	1	70240039
70240015	470-1/4W-5%-CF-T&R R79	1	70240015	470-1/4W-5%-CF-T&R R79	1	70240015	470-1/4W-5%-CF-T&R R79	1	70240015
70210018									