
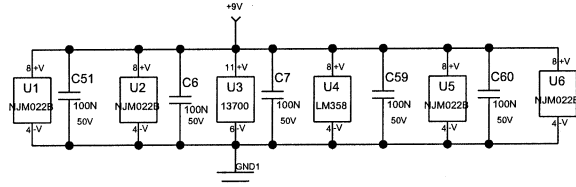
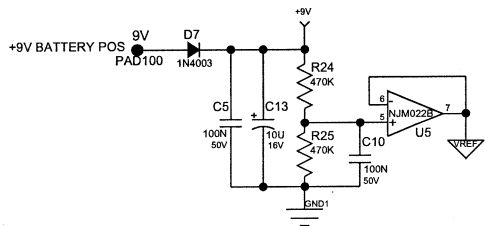
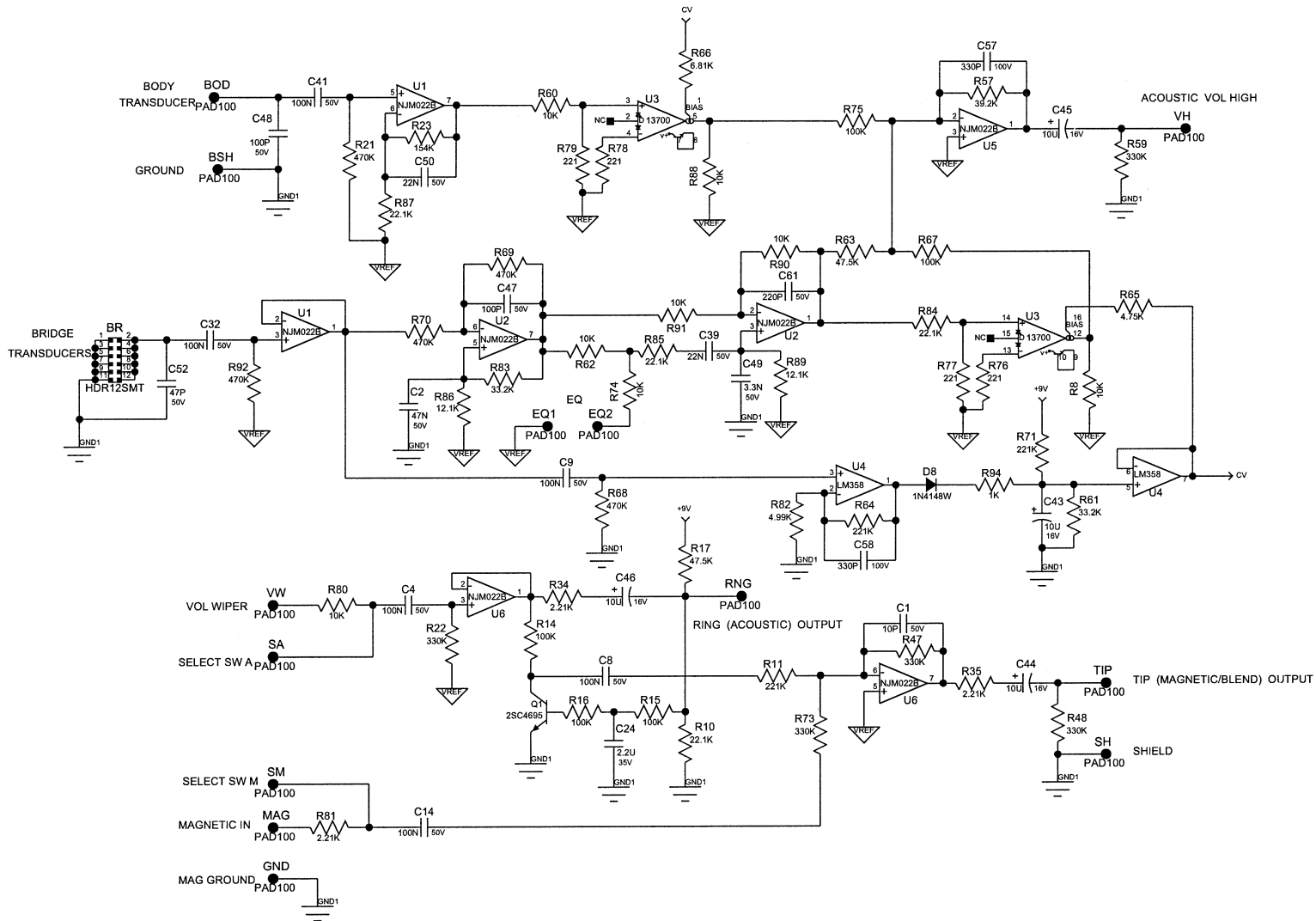


NOTES:

1. BRAID SOLDERED TO POT CASES ON BOTH ENDS.
2. ALL PICKUP GROUNDS SOLDERED TO VOLUME POT CASE.

|     |                                |      |     |       |     |          |                   |   |   |           |
|-----|--------------------------------|------|-----|-------|-----|----------|-------------------|---|---|-----------|
|     |                                |      |     |       |     |          | DRAWN<br>MWT      | UNLESS OTHERWISE SPECIFIED,<br>THE FOLLOWING APPLY: |  PEAVEY ELECTRONICS CORP.<br>P.O. BOX 2898<br>MERIDIAN, MS 39301 |           |
|     |                                |      |     |       |     |          | DATE<br>03/18/02  | TOLERANCES: .XXX = ±.031<br>ANGLES = 0.5°           |   |           |
|     |                                |      |     |       |     |          | CHK'D<br>EEP      | MATERIAL:   | DESC<br>WIRING DIAGRAM<br>SHEET 2   |           |
|     |                                |      |     |       |     |          | SCALE<br>N/A      | N/A   |   |           |
| B   | CHANGE WIRE LOCATION ON SWITCH | B4   | MWT | EEP   | EEP | 06/25/02 | MECH ENGR.<br>EEP | FINISH:   | DWG NO.<br>P0201806A  | REV.<br>A |
| REV | REVISION DESCRIPTION           | ZONE | BY  | CHK'D | ECN | DATE     |                   |   |   |           |



HW1  
SO.125

HW2  
SO.125

Company Proprietary Information



Peavey Electronics Corp.  
P. O. Box 2888  
Meridian, MS 39301

Title: Analog Acoustic Modeling System

Sheet 7/9: ACM2

Date: 3-15-2004\_8:18