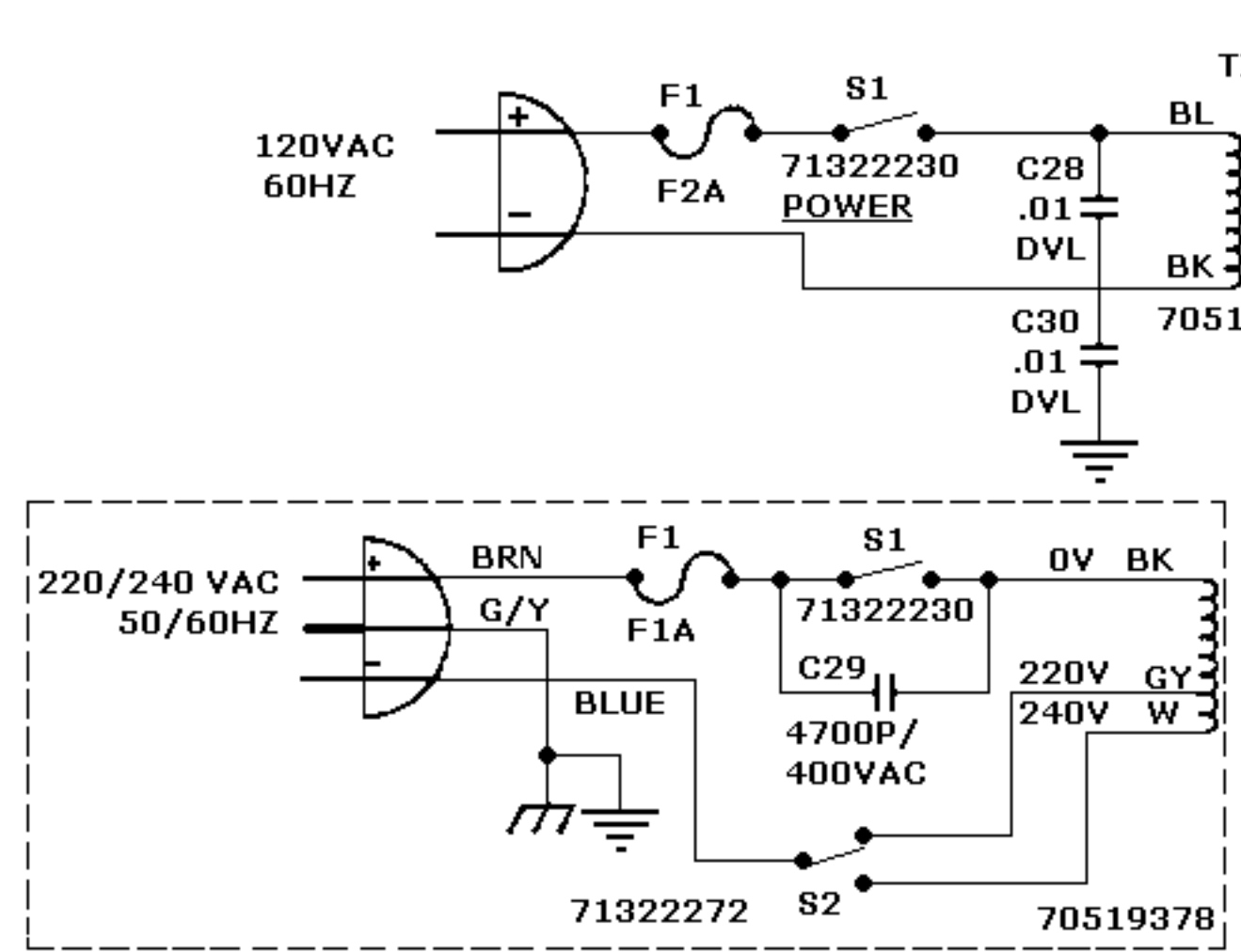
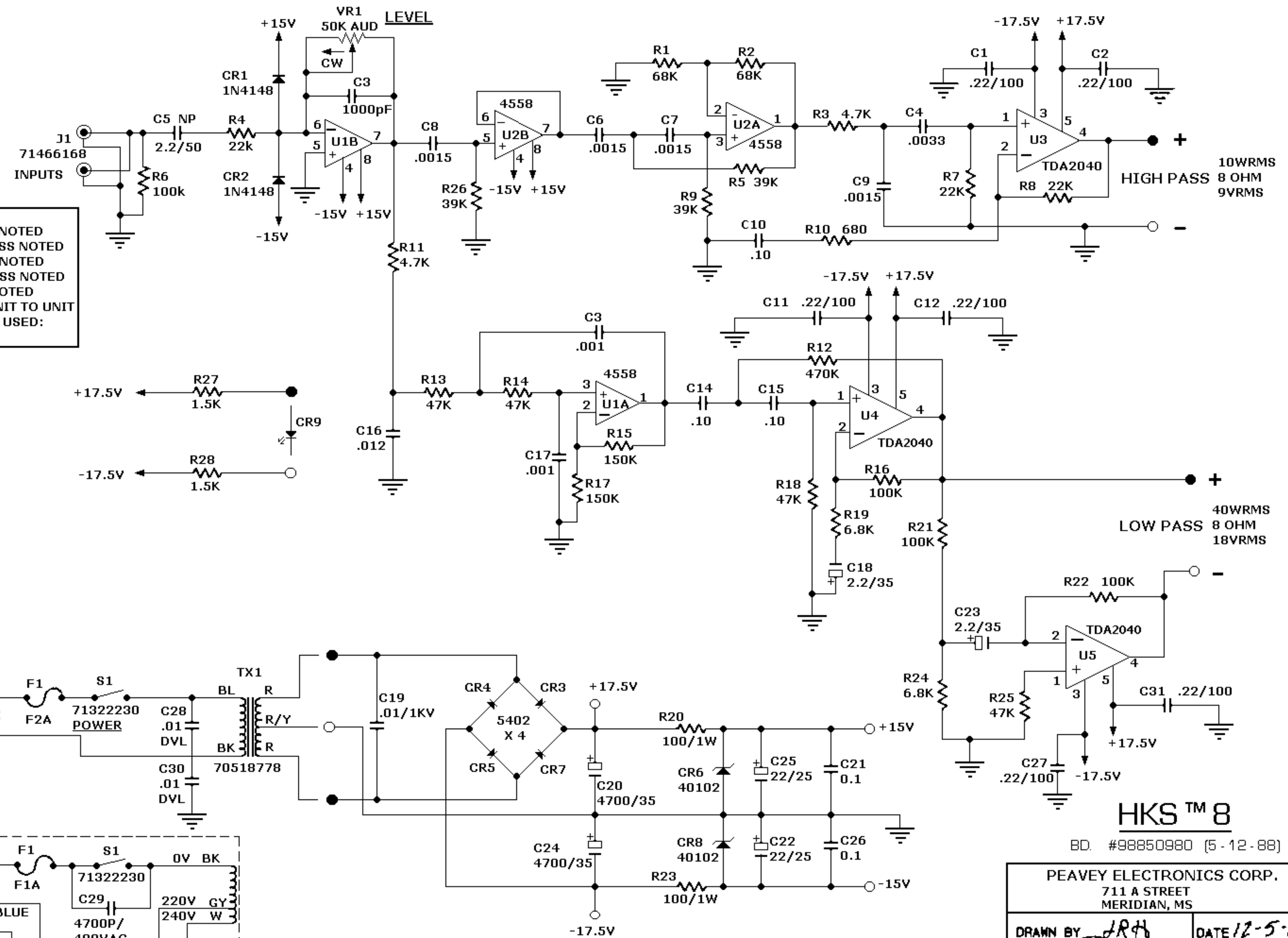


NOTES:  
 ALL RESISTORS 1/4W UNLESS NOTED  
 ALL RESISTORS IN OHMS UNLESS NOTED  
 ALL POTS ARE LINEAR UNLESS NOTED  
 ALL CAPACITORS IN MFD UNLESS NOTED  
 ALL DIODES 1N4148 UNLESS NOTED  
 VOLTAGES MAY VARY FROM UNIT TO UNIT  
 LAST REFERENCE DESIGNATOR USED:  
 R28 C31 CR9 U5 J1 S2 F1



**HKS™ 8**

BD. #98850980 (5-12-88)

PEAVEY ELECTRONICS CORP. 711 A STREET MERIDIAN, MS	
DRAWN BY <i>JRH</i>	DATE <i>12-5-88</i>
C.B. CK. <i>[Signature]</i>	
CK. BY <i>[Signature]</i>	
APPR. BY <i>[Signature]</i>	