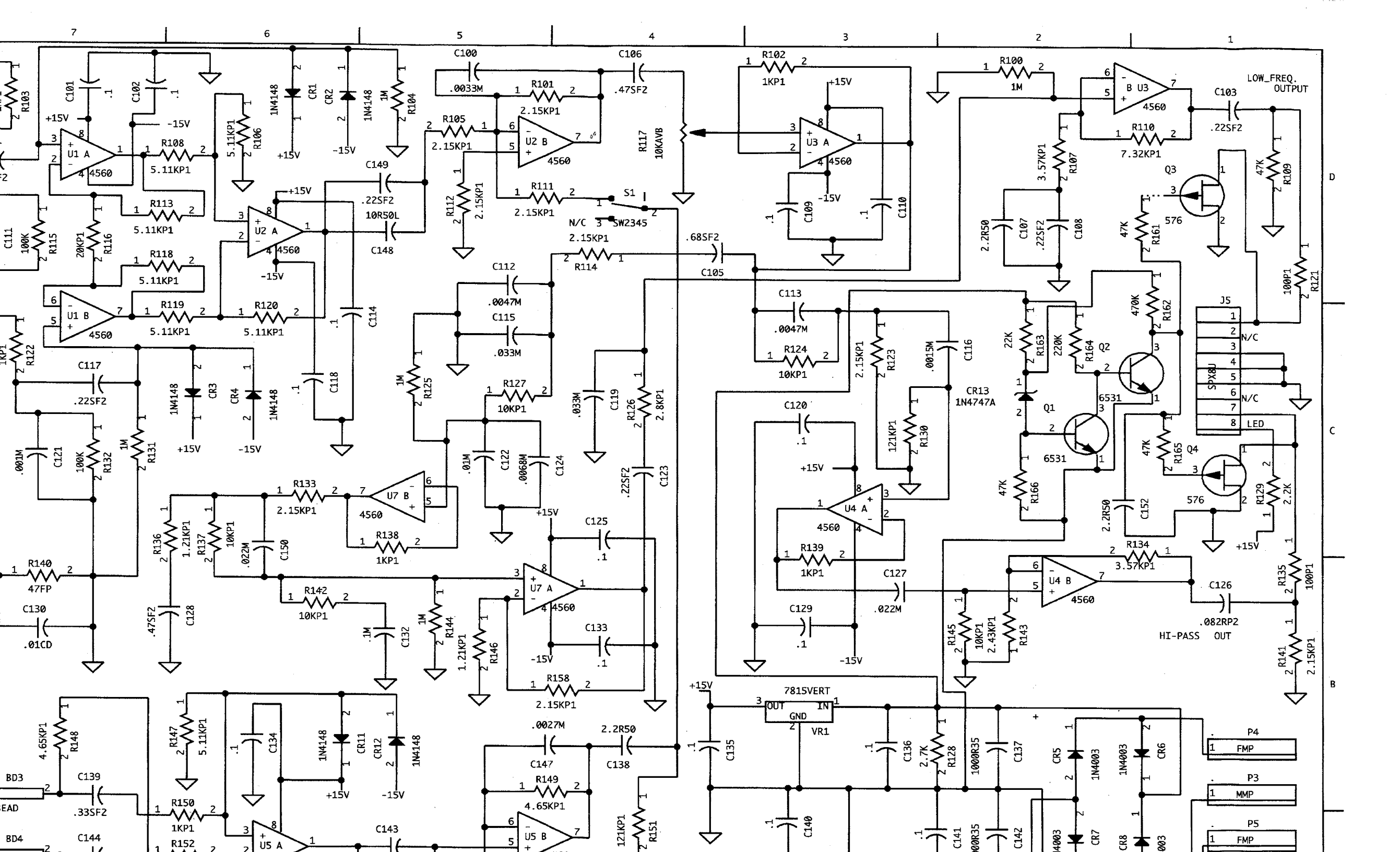
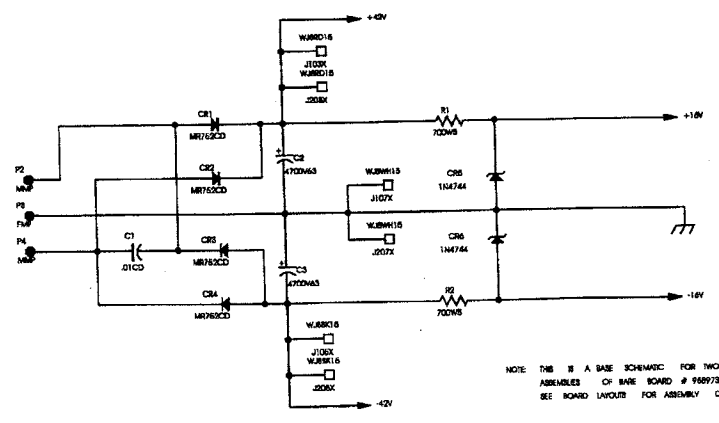
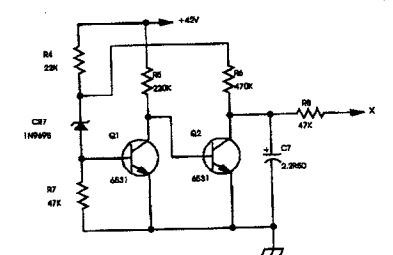
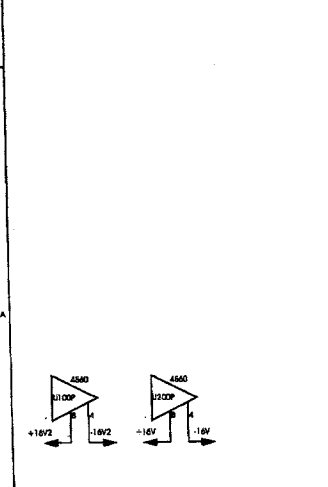
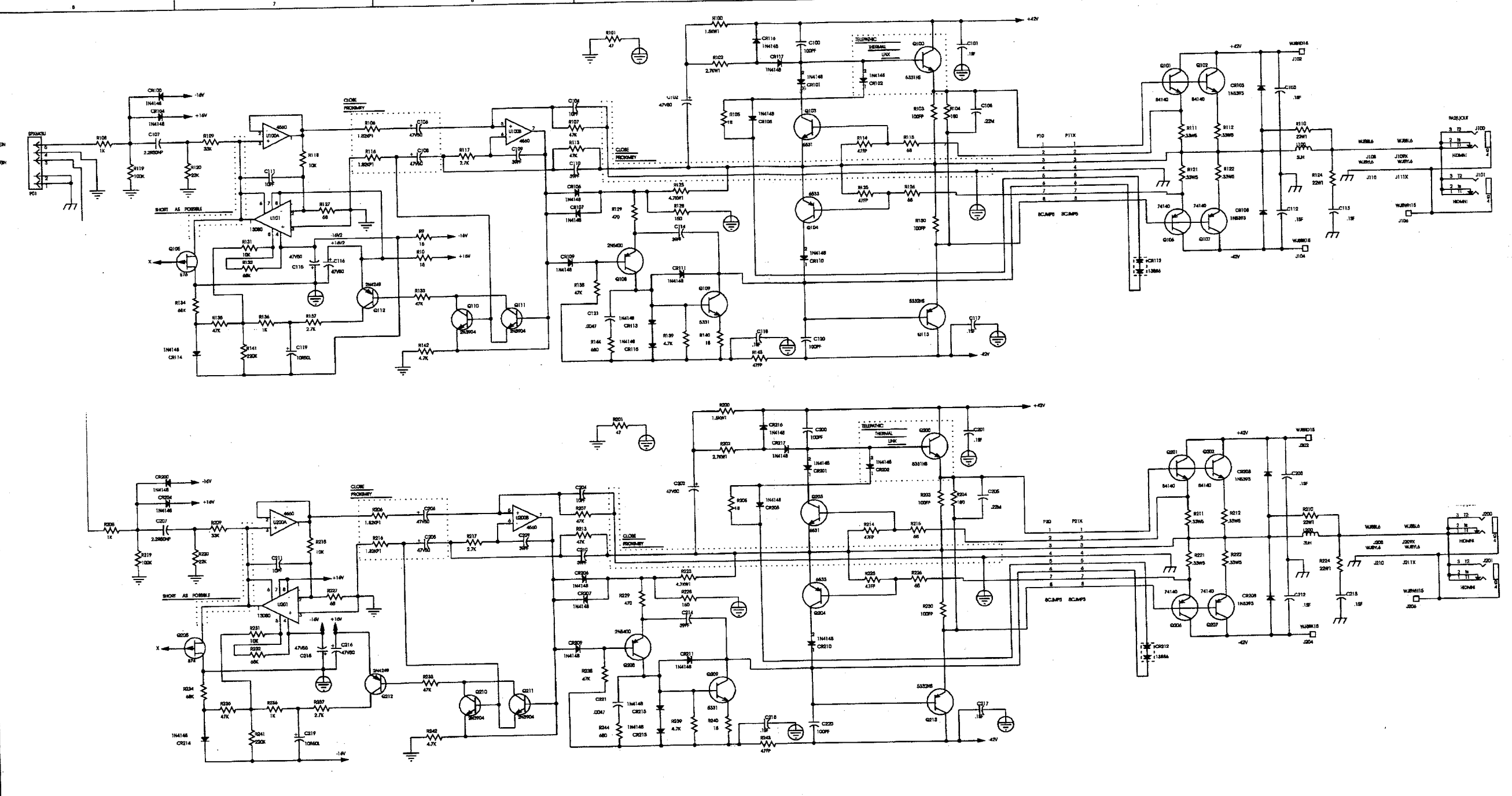


IMPULSE 2000 PREAMP





NOTE: THIS IS A BASE SCHEMATIC FOR TWO ASSEMBLIES OF BASE BOARD # P897311. SEE BOARD LAYOUT FOR ASSEMBLY DIFFERENCES.

COMPANY PROPERTY INFORMATION	
PEAVEY ELECTRONICS CORP.	
711 A STREET	
MERRILL MAINE 04941	
REV: 001	
TITLE: 300SC POWER AMP	
PROJECT:	IMP: P897311
DATE: D	NAME: #81305345
DATE: 12-07-98	REV: A
DRAWN: 12-07-98	

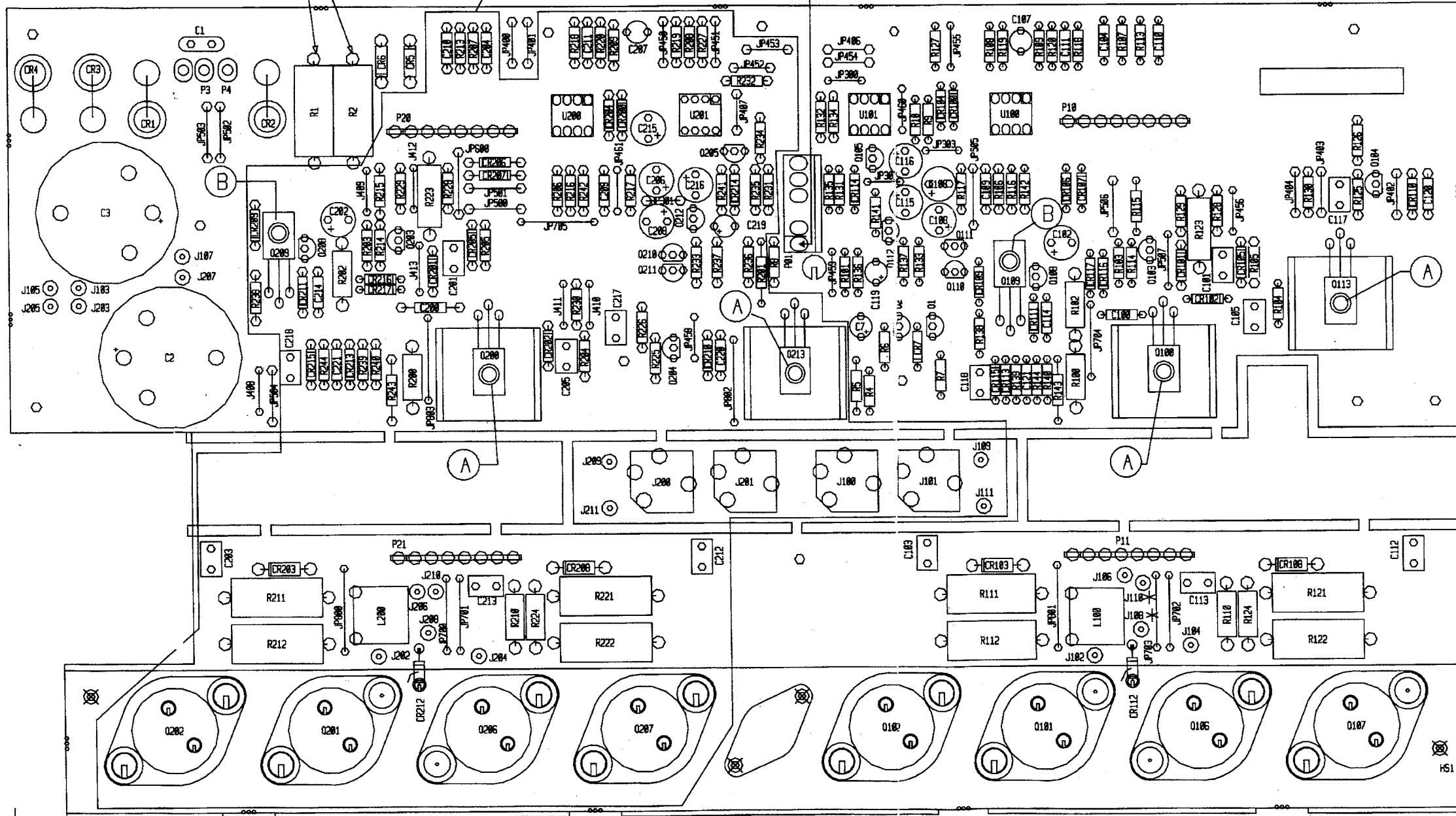
BOARD NAME: IMP200P													
** QTY.	PART NAME	VALUE	PART NUMBER	DESCRIPTION AND DEVICE DESIGNATIONS									
4	PEBEAD	PEBEAD	70502122	FERRITE BEAD INDUCTOR	4	1N4148	4148 70464148	1N4148 75V 10MA SILICON DIODE	1	47FP	47FP	70240090	47FP-1/4W-5%—FP-T&R
1	.0033M	.0033M	70330130	BD1, BD2, BD3, BD4 .0033M 5% 50VDC MY T&A	4	1N4003	1N4003 70464003	1N4003 200V SILICON DIODE	1	2.15KP1	2.15KP1	70241017	R140 2.15K-1/4W-1%—MF-T&R
2	.1	.1	70340100	C100 .1MF+80-20%-50VDC-AXL-T&R	4	1N4148	4148 70464148	1N4148 75V 10MA SILICON DIODE	1	10KP1	10KP1	70241050	R141 10K-1/4W-1%—MF-T&R
2	.22SF2	.22SF2	70330114	C101, C102 0.22 MF 5% 100V STCK FILM	1	1N969B	1N969B 70400969	CR9, CR10, CR11, CR12 1N969B 22V 5% ZENER DIODE	1	2.43KP1	2.43KP1	70240055	R142 2.43K-1/4W-1%—MF-T&R
1	.68SF2	.68SF2	70330149	C103, C104 .68MF 5% 100VDC SF T&A	1	FXLR6231	71466231 71466231	CR13 COMB COAXL FML XLR-1/4JK	1	1M	1M	70240039	R143 1M-1/4W-5%—CF-T&R
1	.47SF2	.47SF2	70330148	C105 .47MF 5% 100VDC SF T&A	1	PXLRMRAB	71466181 71466181	J1 XLB CONN R/A MALE W/BRKT	1	10KP1	10KP1	70241050	R144 10K-1/4W-1%—MF-T&R
1	2.2R50	2.2R50	70320180	C106 2.2MF-20%-50VDC-EL-T&A	1	RAJSI	71466167 71466167	J2 JK R/A 12.5MM INS STEREO-88	1	1.21KP1	1.21KP1	70240046	R145 1.21K-1/4W-1%—MF-T&R
1	.22SF2	.22SF2	70330114	C107 0.22 MF 5% 100V STCK FILM	1	PXLRFRAB	71466182 71466182	J3 XLB CONN R/A FEMALE W/BRKT	1	5.11KP1	5.11KP1	70240051	R146 5.11K-1/4W-1%—MF-T&R
1	.001M	.001M	70330156	C108 .001MF-5%-50VDC-MY-T&A	1	SPX8U	SPX8U XXXXXXXX	J4 8 EACH OF STAKE PINS	2	4.65KP1	4.65KP1	70241021	R147 4.65K-1/4W-1%—MF-T&R
2	.0047M	.0047M	70330116	C109, C110 .0047 MFD 50VDC 5% MY T&A	1	MMP	MMP 73711812	J5 R93-12 PN C.B.MALE MOLEX PIN	1	1KP1	1KP1	70241077	R148, R149 1K-1/4W-1%—CF-T&R
1	.1	.1	70340100	C111 .1MF+80-20%-50VDC-AXL-T&R	2	FMP	FMP 73711811	E3 M18-171 C.B.FEMALE MOLEX PIN	1	121KP1	121KP1	70241034	R150 121K-1/4W-1%—MF-T&R
1	.033M	.033M	70330115	C112, C113 .033 MFD 50VDC 5% MY T&A	2	6531	6531 70466531	P4, P5 MPS-6531 TO92 NPN TRANS.T&A	2	1KP1	1KP1	70241077	R151 1K-1/4W-1%—CF-T&R
1	.0015M	.0015M	70330120	C114 .0015M 5% 50VDC MY T&A	2	576	576 70460576	Q1, Q2 576/2N5462 40V TO-92 P-FET	1	5.11KP1	5.11KP1	70240051	R152, R153 5.11K-1/4W-1%—MF-T&R
1	.22SF2	.22SF2	70330114	C115 0.22 MF 5% 100V STCK FILM	1	1M	1M 70240039	Q3, Q4 1M-1/4W-5%—CF-T&R	1	22K	22K	70240029	R154 22K-1/4W-5%—CF-T&R
1	.1	.1	70340100	C116 .1MF+80-20%-50VDC-AXL-T&R	1	2.15KP1	2.15KP1 70241017	R100 2.15K-1/4W-1%—MF-T&R	1	4.65KP1	4.65KP1	70241021	R155 4.65K-1/4W-1%—MF-T&R
1	.0015M	.0015M	70330120	C117 0.015M 5% 50VDC MY T&A	2	1KP1	1KP1 70241077	R101 1K-1/4W-1%—CF-T&R	1	1.5K	1.5K	70240018	R156 1.5K-1/4W-5%—CF-T&R
1	.22SF2	.22SF2	70330114	C118 0.22 MF 5% 100V STCK FILM	1	1M	1M 70240039	R102, R103 1M-1/4W-5%—CF-T&R	1	2.15KP1	2.15KP1	70241017	R157 2.15K-1/4W-1%—MF-T&R
1	.1	.1	70340100	C119 .1MF+80-20%-50VDC-AXL-T&R	1	2.15KP1	2.15KP1 70241017	R104 2.15K-1/4W-1%—MF-T&R	1	1KP1	1KP1	70241077	R158 1K-1/4W-1%—CF-T&R
1	.033M	.033M	70330115	C120 .033 MFD 50VDC 5% MY T&A	1	5.11KP1	5.11KP1 70240051	R105 5.11K-1/4W-1%—MF-T&R	1	1.5K	1.5K	70240018	R159 1.5K-1/4W-5%—CF-T&R
1	.001M	.001M	70330156	C121 .001MF-5%-50VDC-MY-T&A	1	3.57KP1	3.57KP1 70240108	R106 3.57K 1% 1/4W MF T&R	1	47K	47K	70240031	R160 47K-1/4W-5%—CF-T&R
1	.01M	.01M	70330155	C122 .01MF-5%-50VDC-MY-T&A	1	5.11KP1	5.11KP1 70240051	R107 5.11K-1/4W-1%—MF-T&R	1	470K	470K	70240038	R161 470K-1/4W-5%—CF-T&R
1	.22SF2	.22SF2	70330114	C123 0.22 MF 5% 100V STCK FILM	1	47K	47K 70240031	R108 47K-1/4W-5%—CF-T&R	1	22K	22K	70240029	R162 22K-1/4W-5%—CF-T&R
1	.0068M	.0068M	70330117	C124 .0068mf-5%-50VDC-MY-T&A	1	7.32KP1	7.32KP1 70241022	R109 7.32K-1/4W-1%—MF-T&R	1	220K	220K	70240036	R163 220K-1/4W-5%—CF-T&R
1	.1	.1	70340100	C125 .1MF+80-20%-50VDC-AXL-T&R	2	2.15KP1	2.15KP1 70241017	R110 2.15K-1/4W-1%—MF-T&R	2	47K	47K	70240031	R164 47K-1/4W-5%—CF-T&R
1	.082RP2	.082RP2	70330143	C126 .082MF-2%-50VDC-PP-T&A	1	5.11KP1	5.11KP1 70240051	R111, R112 5.11K-1/4W-1%—MF-T&R	1	SW2345	SW2345	71322345	R165, R166 SW, SPDT R/A SLIDE
1	.022M	.022M	70330134	C127 .022M 5% 50VDC MY T&A	1	2.15KP1	2.15KP1 70241017	R113 2.15K-1/4W-1%—MF-T&R	4	500SO	70900307	70900307	S1 4-40 X 1/2" SWAGE SPACER
1	.47SF2	.47SF2	70330148	C128 .47MF 5% 100VDC SF T&A	1	100K	100K 70240034	R114 100K-1/4W-5%—CF-T&R	6	5532	5532	70405532	NE5532PE DUAL LO-NOISE
1	.1	.1	70340100	C129 .1MF+80-20%-50VDC-AXL-T&R	1	20KP1	20KP1 70241040	R115 20K-1/4W-1%—MF-T&R	1	7815VERT	7815VERT	70400340	U1, U2, U3, U4, U5, U7 7815 15V 1A POS TO-220 RG.
1	.01CER	.01CER	70320099	C130 .01 MFD 1000VDC CD -UNCUT	1	10KAVB	71190528 71190528	R116 10K 20% AUD MIN VPC W/BACKET	1	7915VERT	7915VERT	70400320	VERT MNT VR1 7915 15V 1A NEG TO 220 RG
1	.1M	.1M	70330129	C131 .1M 5% 50VDC MY T&A	3	5.11KP1	5.11KP1 70240051	R117 5.11K-1/4W-1%—MF-T&R	1	*****	*****	*****	VERT MNT VR2
4	.1	.1	70340100	C132 .1MF+80-20%-50VDC-AXL-T&R	1	100P1	100P1 70241075	R118, R119, R120 100-1/4W-1%—MF-AXL					
1	1000R35	1000R35	70320186	C133, C134, C135, C136 1000MF-20%-35VDC-EL-T&A	1	1KP1	1KP1 70241077	R121 1K-1/4W-1%—CF-T&R					
1	2.2R50	2.2R50	70320180	C137 2.2MF-20%-50VDC-EL-T&A	1	2.15KP1	2.15KP1 70241017	R122 2.15K-1/4W-1%—MF-T&R					
1	.33SF2	.33SF2	70330146	C138 .33MF 5% 100VDC SF T&A	1	10KP1	10KP1 70241050	R123 10K-1/4W-1%—MF-T&R					
2	.1	.1	70340100	C139 .1MF+80-20%-50VDC-AXL-T&R	1	1M	1M 70240039	R124 1M-1/4W-5%—CF-T&R					
1	1000R35	1000R35	70320186	C140, C141 1000MF-20%-35VDC-EL-T&A	1	2.8KP1	2.8KP1 70241007	R125 2.8K-1/4W-1%—MF-T&R					
1	.15MY	.15MY	70330053	C142 .15MFD 10% 100VDC MYLAR CAP	1	10KP1	10KP1 70241050	R126 10K-1/4W-1%—MF-T&R					
1	2.2R50	2.2R50	70320180	C143 2.2MF-20%-50VDC-EL-T&A	1	1.5K	1.5K 70240018	R127 1.5K-1/4W-5%—CF-T&R					
1	10R50L	10R50L	70320185	C144 10MF-20%-50VDC-LL-T&A	1	2.2K	2.2K 70240020	R128 2.2K-1/4W-5%—CF-T&R					
1	.1	.1	70340100	C145 .1MF+80-20%-50VDC-AXL-T&R	1	121KP1	121KP1 70241034	R129 121K-1/4W-1%—MF-T&R					
1	.0027M	.0027M	70320303	C146 .0027MF-5%-50VDC-MY-T&A	1	1M	1M 70240039	R130 1M-1/4W-5%—CF-T&R					
1	10R50L	10R50L	70320185	C147 10MF-20%-50VDC-LL-T&A	1	100K	100K 70240034	R131 100K-1/4W-5%—CF-T&R					
1	.22SF2	.22SF2	70330114	C148 0.22 MF 5% 100V STCK FILM	1	2.15KP1	2.15KP1 70241017	R132 2.15K-1/4W-1%—MF-T&R					
1	.022M	.022M	70330134	C149 .022M 5% 50VDC MY T&A	1	3.57KP1	3.57KP1 70240108	R133 3.57K 1% 1/4W MF T&R					
1	10R50L	10R50L	70320185	C150 10MF-20%-50VDC-LL-T&A	1	100P1	100P1 70241075	R134 100-1/4W-1%—MF-AXL					
1	2.2R50	2.2R50	70320180	C151 2.2MF-20%-50VDC-EL-T&A	1	1.21KP1	1.21KP1 70240046	R135 1.21K-1/4W-1%—MF-T&R					
				C152	2	1KP1	1KP1 70241077	R136 1K-1/4W-1%—CF-T&R					
								R137 1K-1/4W-1%—CF-T&R					
								R138, R139					

ASSEMBLY NAME	ASSEMBLY P/N
XRD 680	99597312
IRM 8150	99530383

FOR IRM 8150 ASSEMBLY
USE 1.5K RESISTORS

DEVICES IN THIS AREA WILL NOT
BE PLACED ON THE IRM 8150 ASSEMBLY.

DO NOT INSERT PIN #1
FOR IRM 8150 ASSEMBLY.



P/N's of wire Jumpers
 J102, J103, J202, J203 - P/N 91012174
 J104, J105, J204, J205 - P/N 91090175
 J106, J107, J206, J207 - P/N 91011165
 J108, J109, J208, J209 - P/N 91090172
 J110, J111, J210, J211 - P/N 91090173

*NOTE: FOR IRM 8150 ASSEMBLY:
 J108 USES WIRE P/N 91090253
 J110 USES WIRE P/N 91090254

Connect wire Jumpers
to the following locations:

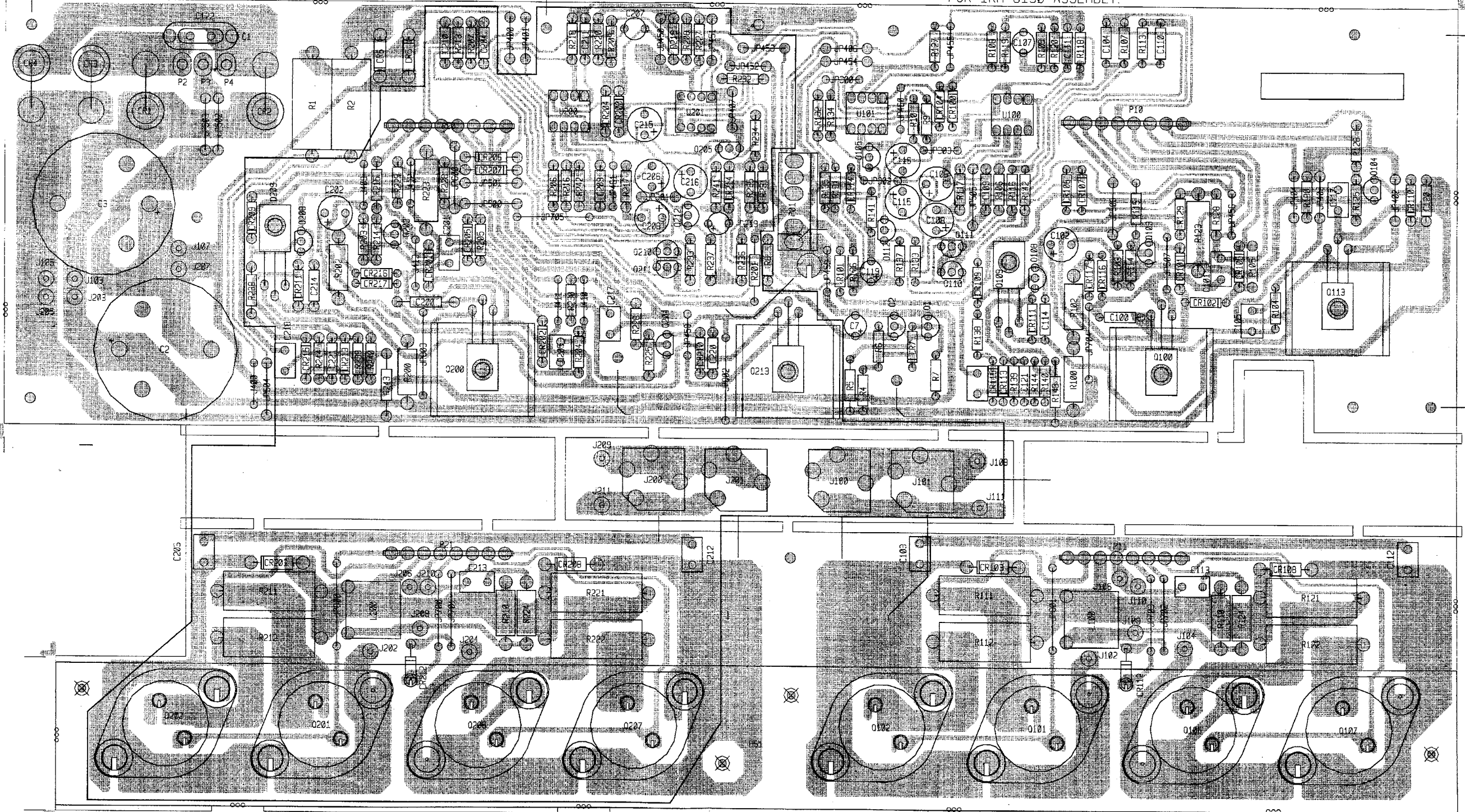
XRD 680	IRM 8150
J210 to J211	J102 to J103
J208 to J209	J104 to J105
J206 to J207 @	J106 to J107 #
J102 to J103 #	J108 & J110
J104 to J105 #	WILL NOT BE
J106 to J107	CONNECTED.
J108 to J109	
J110 to J111	
J202 to J203 @	
J204 to J205 @	

300SC / IRM8150 POWER/DRIVE BD.

FOR IRM 8150 ASSEMBLY
USE 1.5K RESISTORS

DEVICES IN THIS AREA WILL NOT BE
PLACED ON THE IRM 8150 ASSEMBLY

DO NOT INSERT PIN #1
FOR IRM 8150 ASSEMBLY.



INSERT C122 FOR BOTH EXPORT ASSEMBLIES
INSERT C1 FOR BOTH DOMESTIC ASSEMBLIES

300SC POWER

ASSEMBLY NAME
300SC DOMESTIC
300SC EXPORT
IRM 8150 DOMESTIC
IRM 8150 EXPORT

1	2.7K	2.7K	70240021	2.7K-1/4W-5%—CF-T&R R237
1	47K	47K	70240031	47K-1/4W-5%—CF-T&R R238
1	4.7K	4.7K	70240023	4.7K-1/4W-5%—CF-T&R R239
1	18	18	70240006	18—1/4W-5%—CF-T&R R240
1	220K	220K	70240036	220K-1/4W-5%—CF-T&R R241
1	4.7K	4.7K	70240023	4.7K-1/4W-5%—CF-T&R R242
1	47FP	47FP	70240090	47FP-1/4W-5%—FP-T&R R243
1	680	680	70240016	680-1/4W-5%—CF-T&R R244
1	4560	4560	70414560	4560 DUAL OP AMP IC U100
1	13080	13080	70413080	LM3080N CUSTOM SELECTED U101
1	4560	4560	70414560	4560 DUAL OP AMP IC U200
1	13080	13080	70413080	LM3080N CUSTOM SELECTED U201
