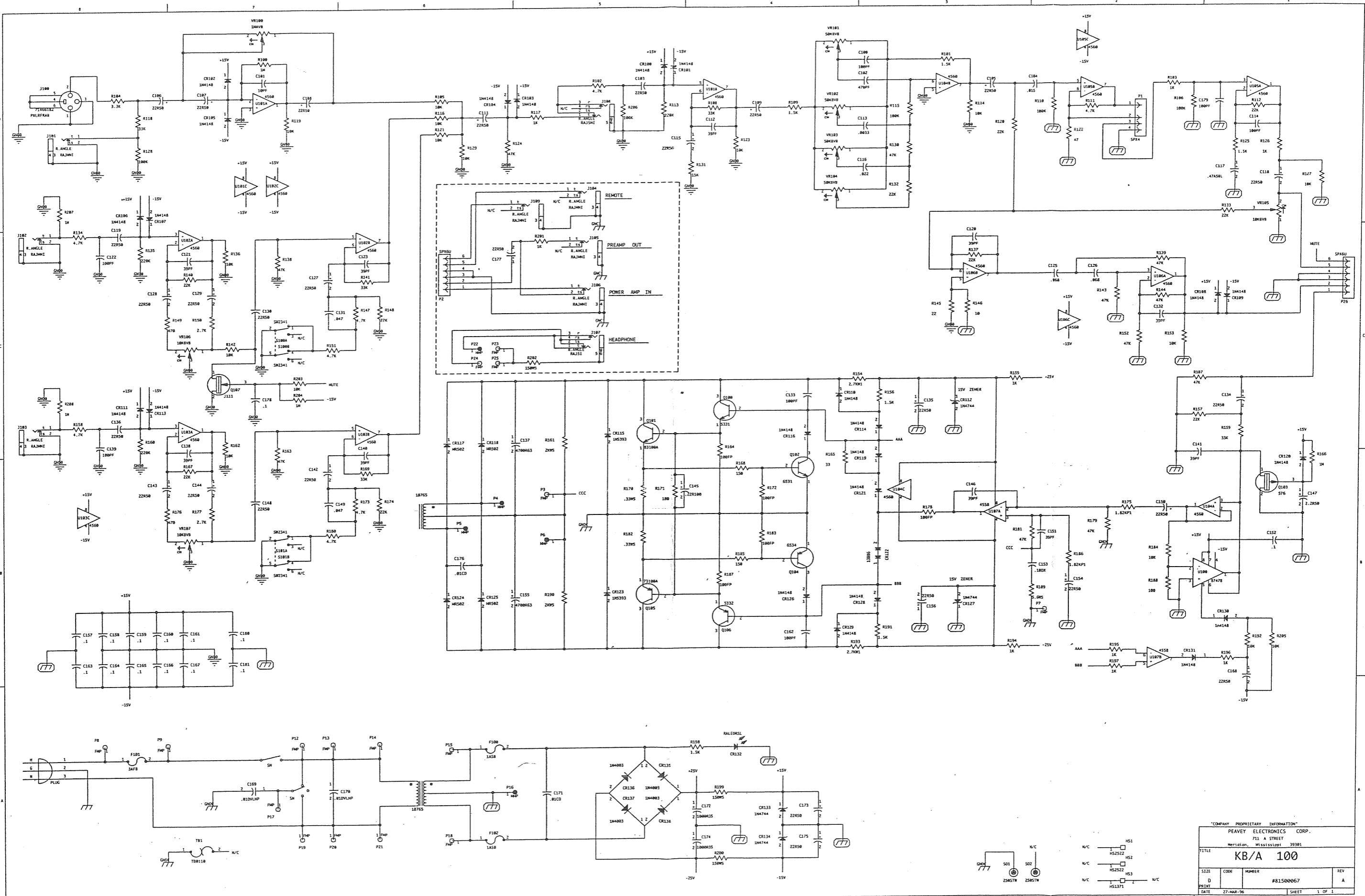
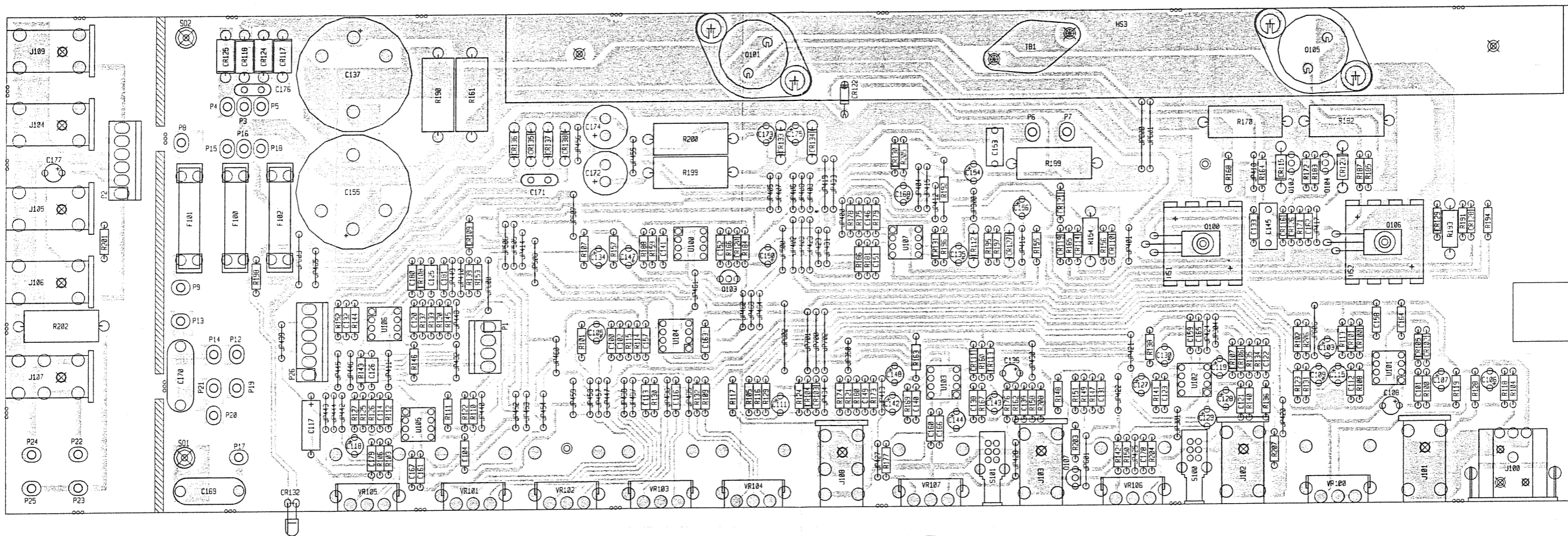


KBA 100



COMPANY PROPRIETARY INFORMATION			
PEAVEY ELECTRONICS CORP.			
713 A STREET MERRIFIELD, MASSACHUSETTS 01901			
KB/A 100			
SIZE	CODE	NUMBER	REV
D		#81500067	A
DATE	27-MAR-96	SHEET 1 OF 1	

001 187



KBA 100 MAIN BD.

DO NOT INSERT C169 &
C170 FOR EXPORT VERSION.

BOARD NAME: KBA100 MAIN															
** QTY.	PART NAME	VALUE	PART NUMBER	DESCRIPTION AND DEVICE DESIGNATIONS											
1	100PF	100PF	70340054	100PF-10%-50VDC-T/C-T&R C100	1	22R50	22R50	70320181	22MF-20%-50VDC-EL-T&A C173	1	576	576	70460576	576/2N5462 40V TO-92 P-FET T&A Q103	
1	10PF	10PF	70340050	10PF-5%-T/C-T&R C101	1	1000R35	1000R35	70320186	1000MF-20%-35VDC-EL-T&A C174	1	6534	6534	70466533	MPS-6533/34 TO-92 PNP TRANS T&A Q104	
1	470PF	470PF	70340058	470PF-10%-50VDC-T/C-T&R C102	1	22R50	22R50	70320181	22MF-20%-50VDC-EL-T&A C175	1	73100A	73100	70473100	SJ-73100, 3 AMP, 100V, METRIC TO-3, PNP-TRANS. Q105	
1	22R50	22R50	70320181	22MF-20%-50VDC-EL-T&A C103	1	.01CD	.01CD	70320248	.01MF-20%-1000VDC-CD-T&A C176	1	5332	5332	70405332	SJE-5332 CASE-77 PNP Q106	
1	.015	.015	70340010	.015MF-10%-50VDC-T/C-T&R C104	1	22R50	22R50	70320181	22MF-20%-50VDC-EL-T&A C177	1	J111	J111	70460111	J-111 35V TO-92 NPN LOW T&A Q107	
6	22R50	22R50	70320181	22MF-20%-50VDC-EL-T&A C105, C106, C107, C108, C109, C111	1	.1	.1	70340100	.1MF-80-20%-50VDC-AXL-T&R C178	1	1M	1M	70240039	1M-1/4W-5%-CF-T&R R100	
1	39PF	39PF	70340052	39PF-50VDC-T/C-T&R C112	12	1N4148	4148	70464148	1N4148 75V 10MA SILICON DIODE CR100, CR101, CR102, CR103, CR104, CR105, CR106, CR107, CR108, CR109, CR110, CR111	1	1.5K	1.5K	70240018	1.5K-1/4W-5%-CF-T&R R101	
1	.0033	.0033	70340006	.0033MF-10%-50VDC-T/C-T&R C113	1	100PF	100PF	70340054	100PF-10%-50VDC-T/C-T&R C179	1	4.7K	4.7K	70240023	4.7K-1/4W-5%-CF-T&R R102	
1	100PF	100PF	70340054	100PF-10%-50VDC-T/C-T&R C114	1	1N4744	4744	70440102	1N4744 15V 5% ZENER DIODE CR112	1	10K	10K	70240025	10K-1/4W-5%-CF-T&R R105	
1	22R50	22R50	70320181	22MF-20%-50VDC-EL-T&A C115	2	1N4148	4148	70464148	1N4148 75V 10MA SILICON DIODE CR113, CR114	1	100K	100K	70240034	100K-1/4W-5%-CF-T&R R106	
1	.022	.022	70340012	.022MF-10%-50VDC-MON-T&R C116	1	1N5393	5393	70465393	1N5393-RL 200V, 1.5, 5% DIODE -T&R CR115	1	47K	47K	70240031	47K-1/4W-5%-CF-T&R R107	
1	.47A50L	.47A50L	70340063	.47MFD 50V LOW LEAKAGE C117	1	1N4148	4148	70464148	1N4148 75V 10MA SILICON DIODE CR116	1	33K	33K	70240030	33K-1/4W-5%-CF-T&R R108	
2	22R50	22R50	70320181	22MF-20%-50VDC-EL-T&A C118, C119	2	MR502	MR502	70400502	MR502/1N5402 200V, 3A SILICON DIODE CR117, CR118	1	1.5K	1.5K	70240018	1.5K-1/4W-5%-CF-T&R R109	
2	39PF	39PF	70340052	39PF-50VDC-T/C-T&R C120, C121	3	1N4148	4148	70464148	1N4148 75V 10MA SILICON DIODE CR119, CR120, CR121	1	100K	100K	70240034	100K-1/4W-5%-CF-T&R R110	
1	100PF	100PF	70340054	100PF-10%-50VDC-T/C-T&R C122	1	13886	13886	70413886	SZ-13886-2 DUAL DIODE CR122	1	4.7K	4.7K	70240023	4.7K-1/4W-5%-CF-T&R R111	
1	39PF	39PF	70340052	39PF-50VDC-T/C-T&R C123	1	1N5393	5393	70465393	1N5393-RL 200V, 1.5, 5% DIODE -T&R CR123	1	22K	22K	70240029	22K-1/4W-5%-CF-T&R R112	
2	.068	.068	70340018	.068MF-10%-50VDC-MON-T&R C125, C126	2	MR502	MR502	70400502	MR502/1N5402 200V, 3A SILICON DIODE CR124, CR125	1	220K	220K	70240036	220K-1/4W-5%-CF-T&R R113	
4	22R50	22R50	70320181	22MF-20%-50VDC-EL-T&A C127, C128, C129, C130	1	1N4148	4148	70464148	1N4148 75V 10MA SILICON DIODE CR126	1	10K	10K	70240025	10K-1/4W-5%-CF-T&R R114	
1	.047	.047	70340017	.047MF-10%-50VDC-MON-T&R C131	1	1N4744	4744	70440102	SZG40102 15V 5% ZENER DIODE CR127	1	100K	100K	70240034	100K-1/4W-5%-CF-T&R R115	
1	39PF	39PF	70340052	39PF-50VDC-T/C-T&R C132	4	1N4148	4148	70464148	1N4148 75V 10MA SILICON DIODE CR128, CR129, CR130, CR131	1	10K	10K	70240025	10K-1/4W-5%-CF-T&R R116	
1	100PF	100PF	70340054	100PF-10%-50VDC-T/C-T&R C133	1	RALEDRL	RALEDRL	70450053	LED, T-1, RED, W/STOPPER LEAD T&A CR132	1	1K	1K	70240017	1K-1/4W-5%-CF-T&R R117	
3	22R50	22R50	70320181	22MF-20%-50VDC-EL-T&A C134, C135, C136	2	1N4744	4744	70440102	SZG40102 15V 5% ZENER DIODE CR133, CR134	1	33K	33K	70240030	33K-1/4W-5%-CF-T&R R118	
1	4700R63	4700R63	70320146	4700MF-10%-63VDC-EL-R/S C137	4	1N4003	1N4003	70464003	1N4003 200V SILICON DIODE CR135, CR136, CR137, CR138	1	10K	10K	70240025	10K-1/4W-5%-CF-T&R R119	
1	39PF	39PF	70340052	39PF-50VDC-T/C-T&R C138	1	1ASB	1ASB	70900379	1 AMP S/B FUSE WITH 2 FUSECLIPS #70900816 F100	1	22K	22K	70240029	22K-1/4W-5%-CF-T&R R120	
1	100PF	100PF	70340054	100PF-10%-50VDC-T/C-T&R C139	1	3AFB	3AFB	70900033	3 AMP F/B FUSE WITH 2 FUSECLIPS #70900816 F101	1	10K	10K	70240025	10K-1/4W-5%-CF-T&R R121	
2	39PF	39PF	70340052	39PF-50VDC-T/C-T&R C140, C141	1	1ASB	1ASB	70900379	1 AMP S/B FUSE WITH 2 FUSECLIPS #70900816 F102	1	47	47	70240008	47-1/4W-5%-CF-T&R R122	
3	22R50	22R50	70320181	22MF-20%-50VDC-EL-T&A C142, C143, C144	2	HS2522	98002522	98002522	3/8" HEATSINK PUNCHED HS1, HS2	1	10K	10K	70240025	10K-1/4W-5%-CF-T&R R123	
1	.22R100	.22R100	70330007	.22MFD 100VDC 5% MYLAR C145	1	HS1371	98001371	98001371	TKO 65 HEATSINK HS3	1	47K	47K	70240031	47K-1/4W-5%-CF-T&R R124	
1	39PF	39PF	70340052	39PF-50VDC-T/C-T&R C146	1	PXLRFRAB	71466182	71466182	XLB CONN R/A FEMALE W/BRKT J100	1	1.5K	1.5K	70240018	1.5K-1/4W-5%-CF-T&R R125	
1	2.2R50	2.2R50	70320180	2.2MF-20%-50VDC-EL-T&A C147	6	RAJMN1	71466164	71466164	JK R/A 12.5MM NIN MONO-88 J101, J102, J103, J104, J105, J106	1	1K	1K	70240017	1K-1/4W-5%-CF-T&R R126	
1	22R50	22R50	70320181	22MF-20%-50VDC-EL-T&A C148	1	RAJSI	71466167	71466167	JK R/A 12.5MM INS STEREO-88 J107	1	10K	10K	70240025	10K-1/4W-5%-CF-T&R R127	
1	.047	.047	70340017	.047MF-10%-50VDC-MON-T&R C149	1	RAJSNI	71466165	71466165	JK R/A 12.5MM NIN STEO-88 J108	1	100K	100K	70240034	100K-1/4W-5%-CF-T&R R128	
1	22R50	22R50	70320181	22MF-20%-50VDC-EL-T&A C150	1	RAJMN1	71466164	71466164	JK R/A 12.5MM NIN MONO-88 J109	1	10K	10K	70240025	10K-1/4W-5%-CF-T&R R129	
1	39PF	39PF	70340052	39PF-50VDC-T/C-T&R C151	1	SPX4	SPX4	XXXXXXX	4 EACH OF STAKE PINS P1	1	47K	47K	70240031	47K-1/4W-5%-CF-T&R R130	
1	.1	.1	70340100	.1MF-80-20%-50VDC-AXL-T&R C152	1	SPX6U	SPX6U	XXXXXXX	6 EACH OF STAKE PINS P2	1	15K	15K	70240027	15K-1/4W-5%-CF-T&R R131	
1	.1BOX	.1BOX	70320086	.1 MFD 100VDC 10% BOX CAP C153	1	FMP	FMP	73711811	M118-171 C.B. FEMALE MOLEX PIN P3	2	22K	22K	70240029	22K-1/4W-5%-CF-T&R R132, R133	
1	22R50	22R50	70320181	22MF-20%-50VDC-EL-T&A C154	3	MMP	MMP	73711812	R93-12 PN C.B. MALE MOLEX PIN P4, P5, P6	1	4.7K	4.7K	70240023	4.7K-1/4W-5%-CF-T&R R134	
1	4700R63	4700R63	70320146	4700MF-10%-63VDC-EL-R/S C155	7	FMP	FMP	73711811	M118-171 C.B. FEMALE MOLEX PIN P7, P8, P9, P12, P13, P14, P15	1	220K	220K	70240036	220K-1/4W-5%-CF-T&R R135	
1	22R50	22R50	70320181	22MF-20%-50VDC-EL-T&A C156	1	MMP	MMP	73711812	R93-12 PN C.B. MALE MOLEX PIN P16	1	10K	10K	70240025	10K-1/4W-5%-CF-T&R R136	
5	.1	.1	70340100	.1MF-80-20%-50VDC-AXL-T&R C157, C158, C159, C160, C161	5	FMP	FMP	73711811	M118-171 C.B. FEMALE MOLEX PIN P17, P18, P19, P20, P21	1	22K	22K	70240029	22K-1/4W-5%-CF-T&R R137	
1	100PF	100PF	70340054	100PF-10%-50VDC-T/C-T&R C162	1	MMP	MMP	73711812	R93-12 PN C.B. MALE MOLEX PIN P22	2	47K	47K	70240031	47K-1/4W-5%-CF-T&R R138, R139	
5	.1	.1	70340100	.1MF-80-20%-50VDC-AXL-T&R C163, C164, C165, C166, C167	3	FMP	FMP	73711811	M118-171 C.B. FEMALE MOLEX PIN P23, P24, P25	1	22K	22K	70240029	22K-1/4W-5%-CF-T&R R140	
1	22R50	22R50	70320181	22MF-20%-50VDC-EL-T&A C168	1	SPX6U	SPX6U	XXXXXXX	6 EACH OF STAKE PINS P26	1	33K	33K	70240030	33K-1/4W-5%-CF-T&R R141	
2	.01DVLNP	.01DVLNP	70320104	.01 MFD 125VDC DVL MYLAR +0-20% C169, C170	1	5331	5331	70405331	SJE-5331 CASE-77 NPN Q100	1	10K	10K	70240025	10K-1/4W-5%-CF-T&R R142	
1	.01CD	.01CD	70320248	.01MF-20%-1000VDC-CD-T&A C171	1	83100A	83100	70483100	SJ-83100, NPN, 3 AMP, 100V, METRIC TO-3 TRANS. Q101	2	47K	47K	70240031	47K-1/4W-5%-CF-T&R R143, R144	
1	1000R35	1000R35	70320186	1000MF-20%-35VDC-EL-T&A C172	1	6531	6531	70466531	MPS-6531 TO92 NPN TRANS. T&A Q102	1	22	22	70240007	22-1/4W-5%-CF-T&R R145	

1	10	10	70240003	10-1/4W-5%-CF-T&R R146	4	1K	1K	70240017	1K-1/4W-5%-CF-T&R R194, R195, R196, R197
1	4.7K	4.7K	70240023	4.7K-1/4W-5%-CF-T&R R147	1	1.5K	1.5K	70240018	1.5K-1/4W-5%-CF-T&R R198
1	22K	22K	70240029	22K-1/4W-5%-CF-T&R R148	2	150W5	150W5	70250040	150-5W-10%-WW-AXL R199, R200
1	470	470	70240015	470-1/4W-5%-CF-T&R R149	1	1K	1K	70240017	1K-1/4W-5%-CF-T&R R201
1	2.7K	2.7K	70240021	2.7K-1/4W-5%-CF-T&R R150	1	150W5	150W5	70250040	150-5W-10%-WW-AXL R202
1	4.7K	4.7K	70240023	4.7K-1/4W-5%-CF-T&R R151	1	10K	10K	70240025	10K-1/4W-5%-CF-T&R R203
1	47K	47K	70240031	47K-1/4W-5%-CF-T&R R152	1	1M	1M	70240039	1M-1/4W-5%-CF-T&R R204
1	10K	10K	70240025	10K-1/4W-5%-CF-T&R R153	1	10K	10K	70240025	10K-1/4W-5%-CF-T&R R205
1	2.7KW1	2.7KW1	70210016	2.7K-1W-5%-MO-T&R R154	1	100K	100K	70240034	100K-1/4W-5%-CF-T&R R206
1	1K	1K	70240017	1K-1/4W-5%-CF-T&R R155	2	1M	1M	70240039	1M-1/4W-5%-CF-T&R R207, R208
1	1.5K	1.5K	70240018	1.5K-1/4W-5%-CF-T&R R156	2	SW2341	SW2341	71322341	dpdt p/p r/a mini S100, S101
1	22K	22K	70240029	22K-1/4W-5%-CF-T&R R157	2	250STW	70901856	70901856	SPCR, 1/4,R(#4),.187 SW,AL S01, S02
1	4.7K	4.7K	70240023	4.7K-1/4W-5%-CF-T&R R158	1	TB0110	70900110	70900110	2455R-82-262 THER.BRK.SPD TB1
1	33K	33K	70240030	33K-1/4W-5%-CF-T&R R159	1	87478	87478	70487478	87478 SING OTA JG-PKG IC U100
1	220K	220K	70240036	220K-1/4W-5%-CF-T&R R160	6	4560	4560	70414560	4560 DUAL OP AMP IC U101, U102, U103, U104, U105, U106
1	2KW5	2KW5	70250063	2K-5W-10%-WW-AXL R161	1	4558	4558	70404558	IC RC-4558, P DUAL BI-PKG 10 U107
1	10K	10K	70240025	10K-1/4W-5%-CF-T&R R162	1	1MAVB	71190516	71190516	1 MEG AUD MIN VPC 20% W/BRKT VR100
1	47K	47K	70240031	47K-1/4W-5%-CF-T&R R163	4	50KBVB	71190511	71190511	50K LIN MIN VPC W/BRACKET VR101, VR102, VR103, VR104
1	100FP	100FP	70240096	100FP-1/4W-5%-FP-T&R R164	3	10KBVB	71190510	71190510	10K LIN MIN VPC W/BRACKET VR105, VR106, VR107
1	33	33	70240004	33-1/4W-5%-CF-T&R R165	*****				
1	1M	1M	70240039	1M-1/4W-5%-CF-T&R R166					
1	22K	22K	70240029	22K-1/4W-5%-CF-T&R R167					
1	150	150	70240001	150-1/4W-5%-CF-T&R R168					
1	33K	33K	70240030	33K-1/4W-5%-CF-T&R R169					
1	.33W5	.33W5	70250003	.33-5W-10%-WW-AXL R170					
1	180	180	70240012	180-1/4W-5%-CF-T&R R171					
1	100FP	100FP	70240096	100FP-1/4W-5%-FP-T&R R172					
1	4.7K	4.7K	70240023	4.7K-1/4W-5%-CF-T&R R173					
1	22K	22K	70240029	22K-1/4W-5%-CF-T&R R174					
1	1.82KP1	1.82KP1	70241078	1.82K-1/4W-1%-CF-T&R R175					
1	470	470	70240015	470-1/4W-5%-CF-T&R R176					
1	2.7K	2.7K	70240021	2.7K-1/4W-5%-CF-T&R R177					
1	100FP	100FP	70240096	100FP-1/4W-5%-FP-T&R R178					
1	47K	47K	70240031	47K-1/4W-5%-CF-T&R R179					
1	4.7K	4.7K	70240023	4.7K-1/4W-5%-CF-T&R R180					
1	47K	47K	70240031	47K-1/4W-5%-CF-T&R R181					
1	.33W5	.33W5	70250003	.33-5W-10%-WW-AXL R182					
1	100FP	100FP	70240096	100FP-1/4W-5%-FP-T&R R183					
1	10K	10K	70240025	10K-1/4W-5%-CF-T&R R184					
1	150	150	70240001	150-1/4W-5%-CF-T&R R185					
1	1.82KP1	1.82KP1	70241078	1.82K-1/4W-1%-CF-T&R R186					
1	100FP	100FP	70240096	100FP-1/4W-5%-FP-T&R R187					
1	100	100	70240010	100-1/4W-5%-CF-T&R R188					
1	5.6W5	5.6W5	70250026	5.6-5W-10%-WW-AXL R189					
1	2KW5	2KW5	70250063	2K-5W-10%-WW-AXL R190					
1	1.5K	1.5K	70240018	1.5K-1/4W-5%-CF-T&R R191					
1	10K	10K	70240025	10K-1/4W-5%-CF-T&R R192					
1	2.7KW1	2.7KW1	70210016	2.7K-1W-5%-MO-T&R R193					