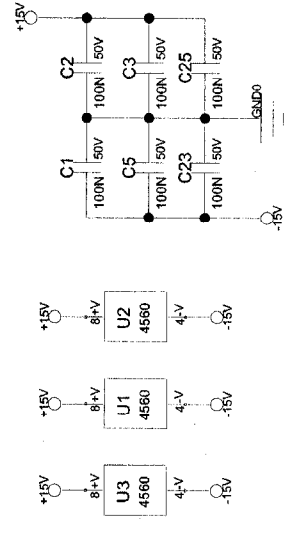
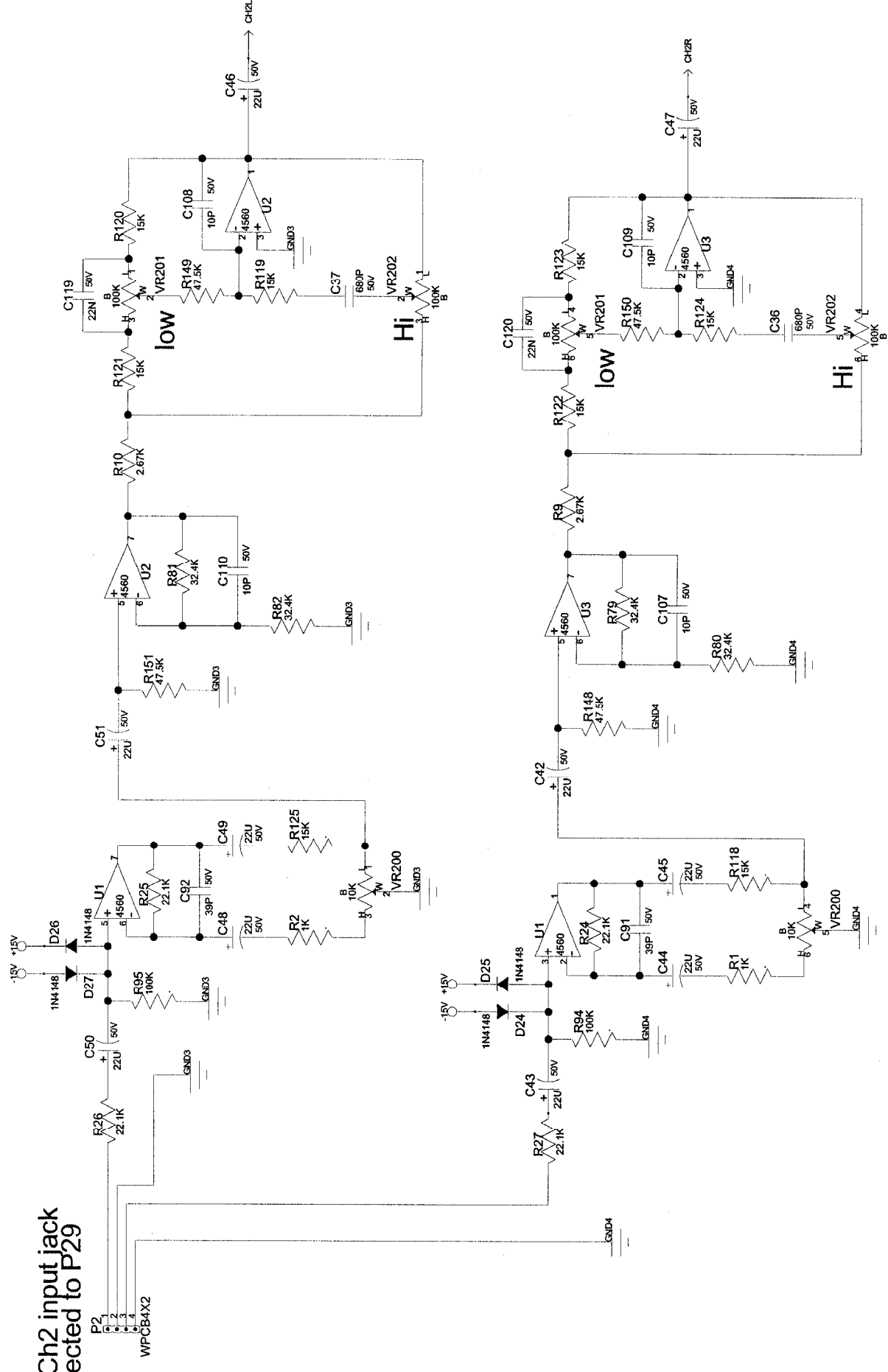
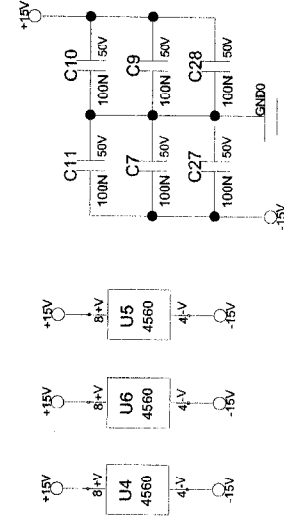
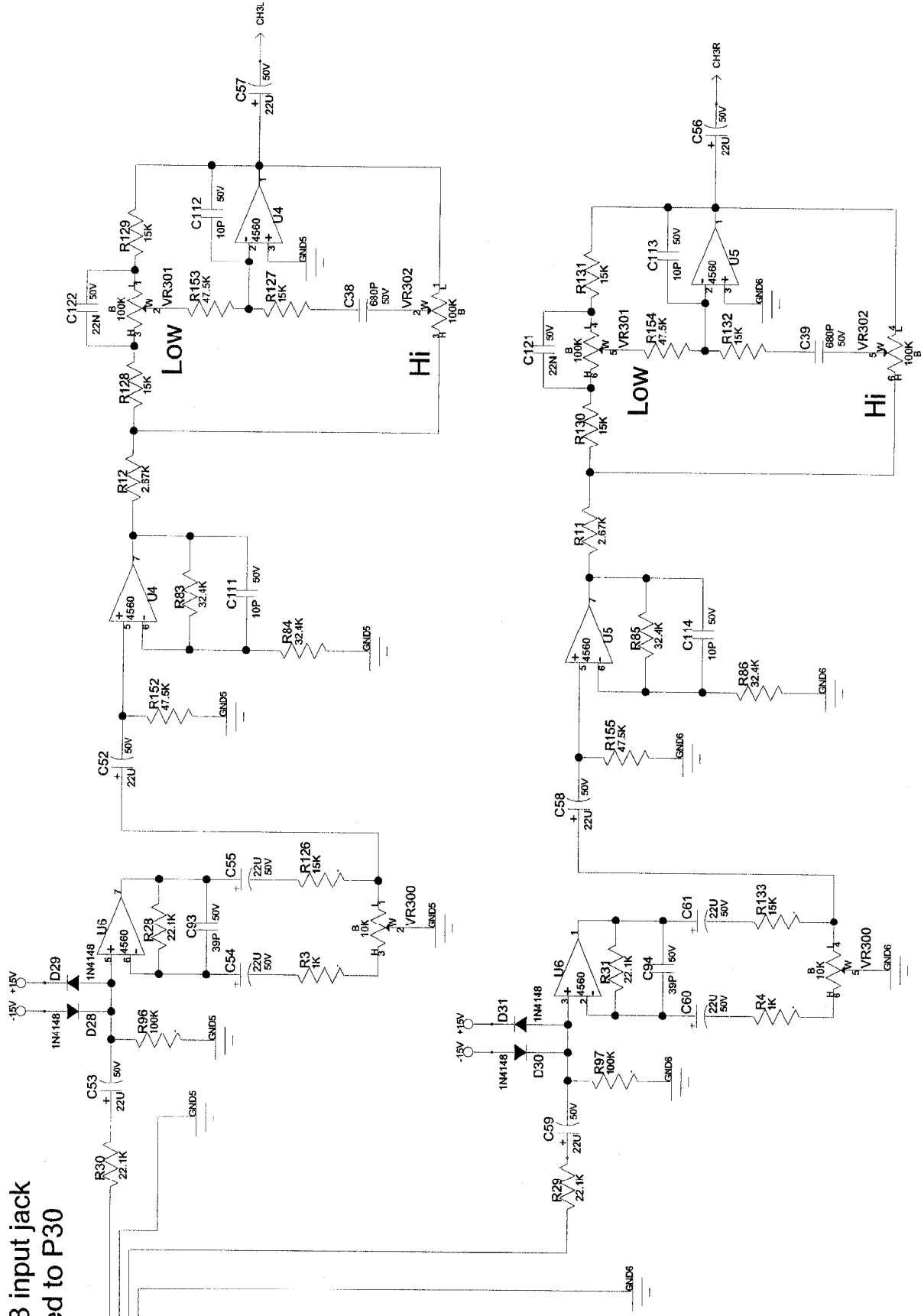


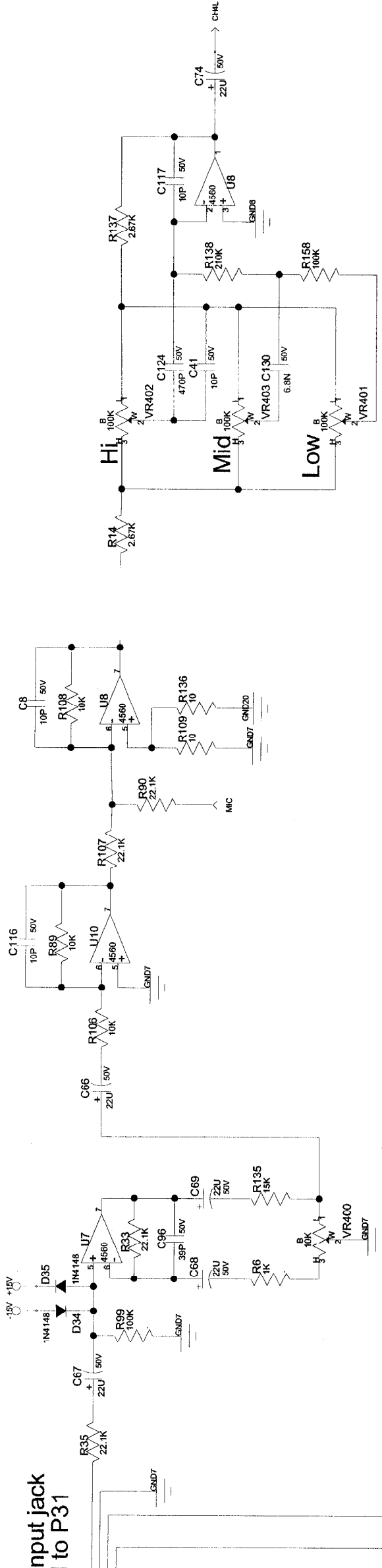
From Ch2 input jack
Connected to P29



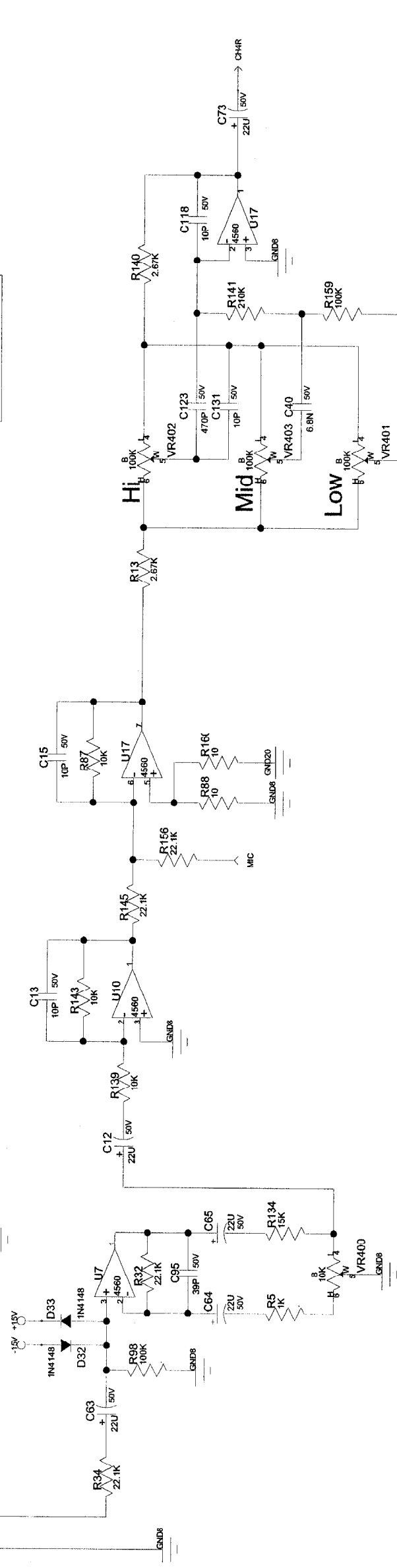
From Ch3 input jack
Connected to P30



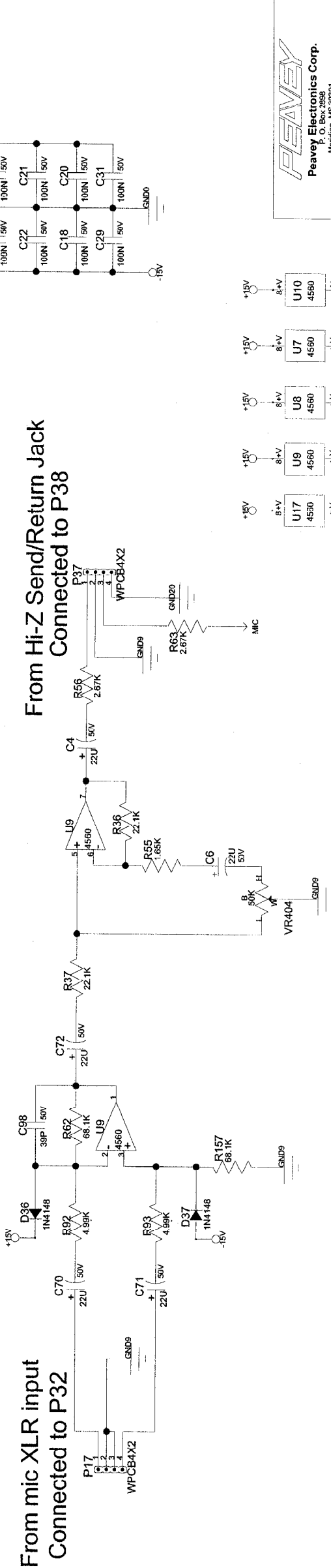
From Ch4 input jack
Connected to P31



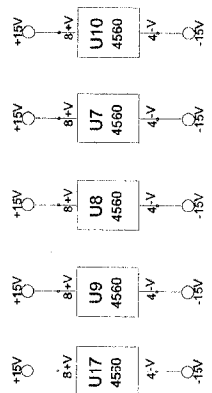
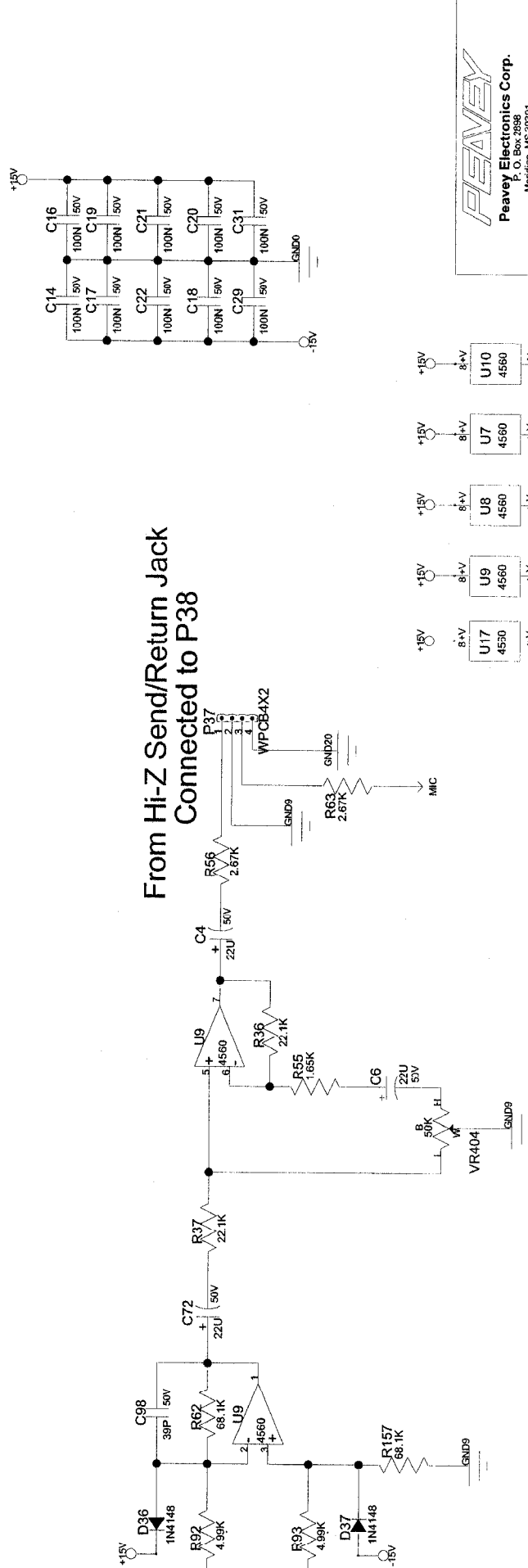
From mic XLR input
Connected to P32

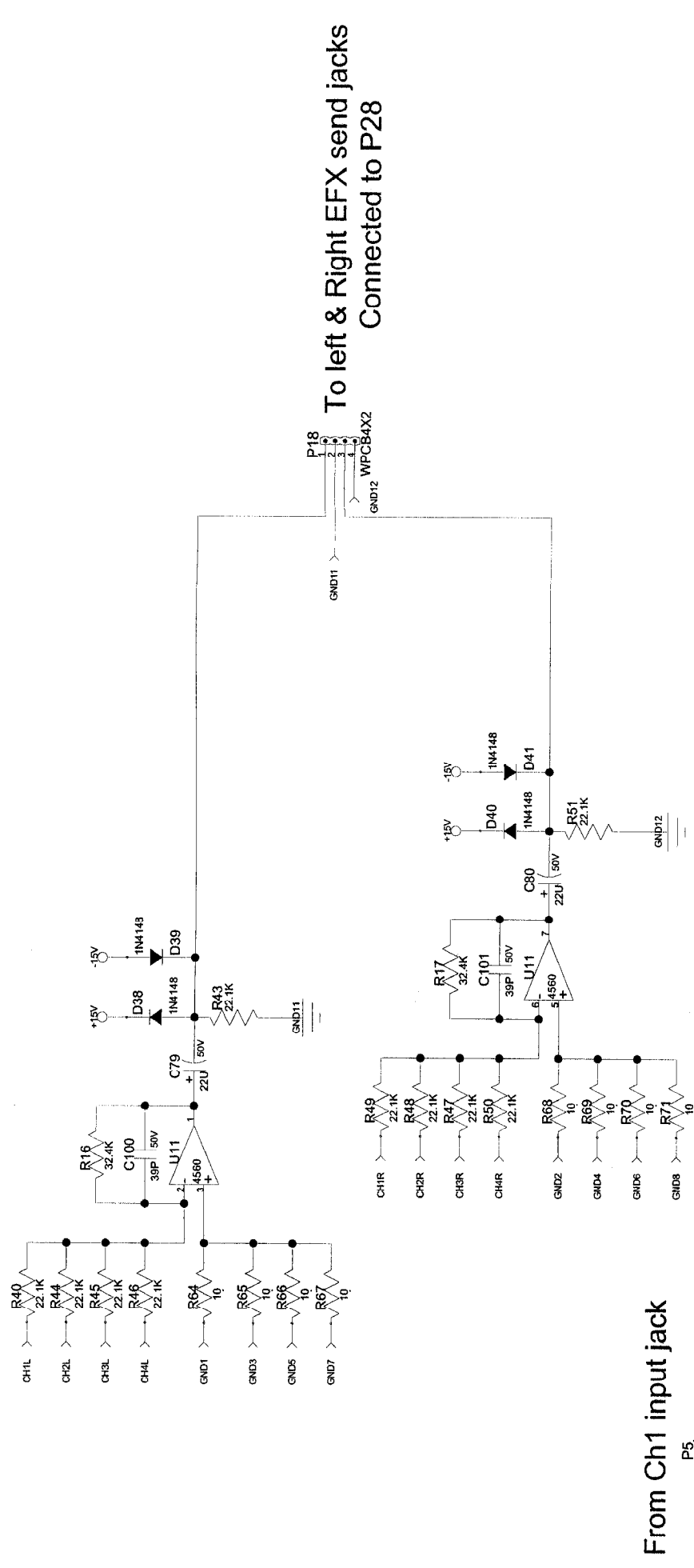


From mic XLR input
Connected to P32

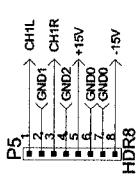


From Hi-Z Send/Return Jack
Connected to P38

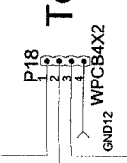




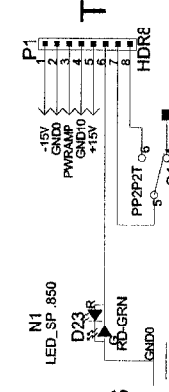
From Ch1 input jack



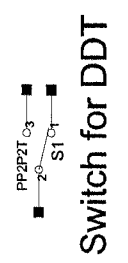
To left & Right EFX send jacks
Connected to P28



LED Status

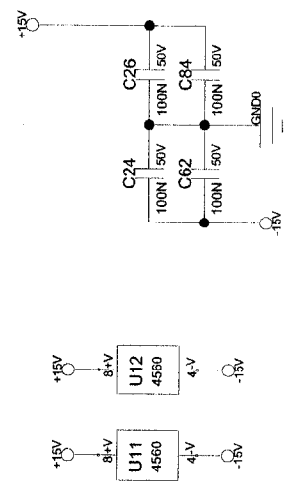


To Power Amp

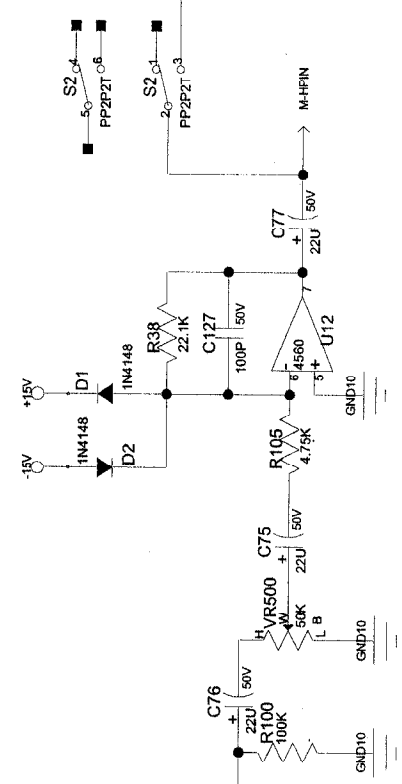


Switch for DDT

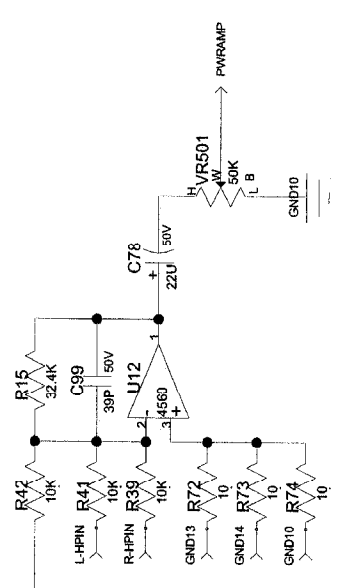
From Monitor input jack
Connected to P33

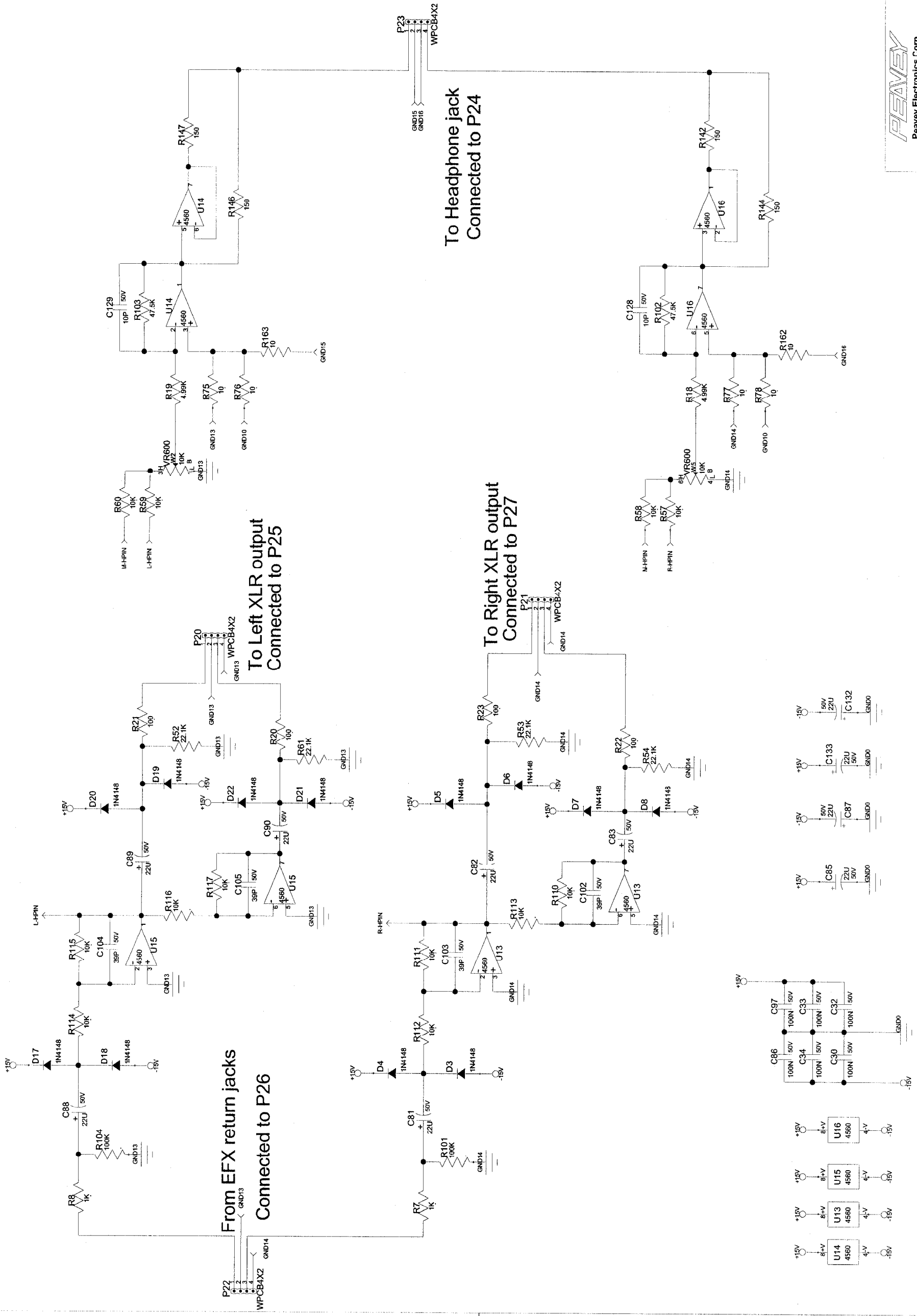


From Monitor input jack
Connected to P33



From Monitor input jack
Connected to P33



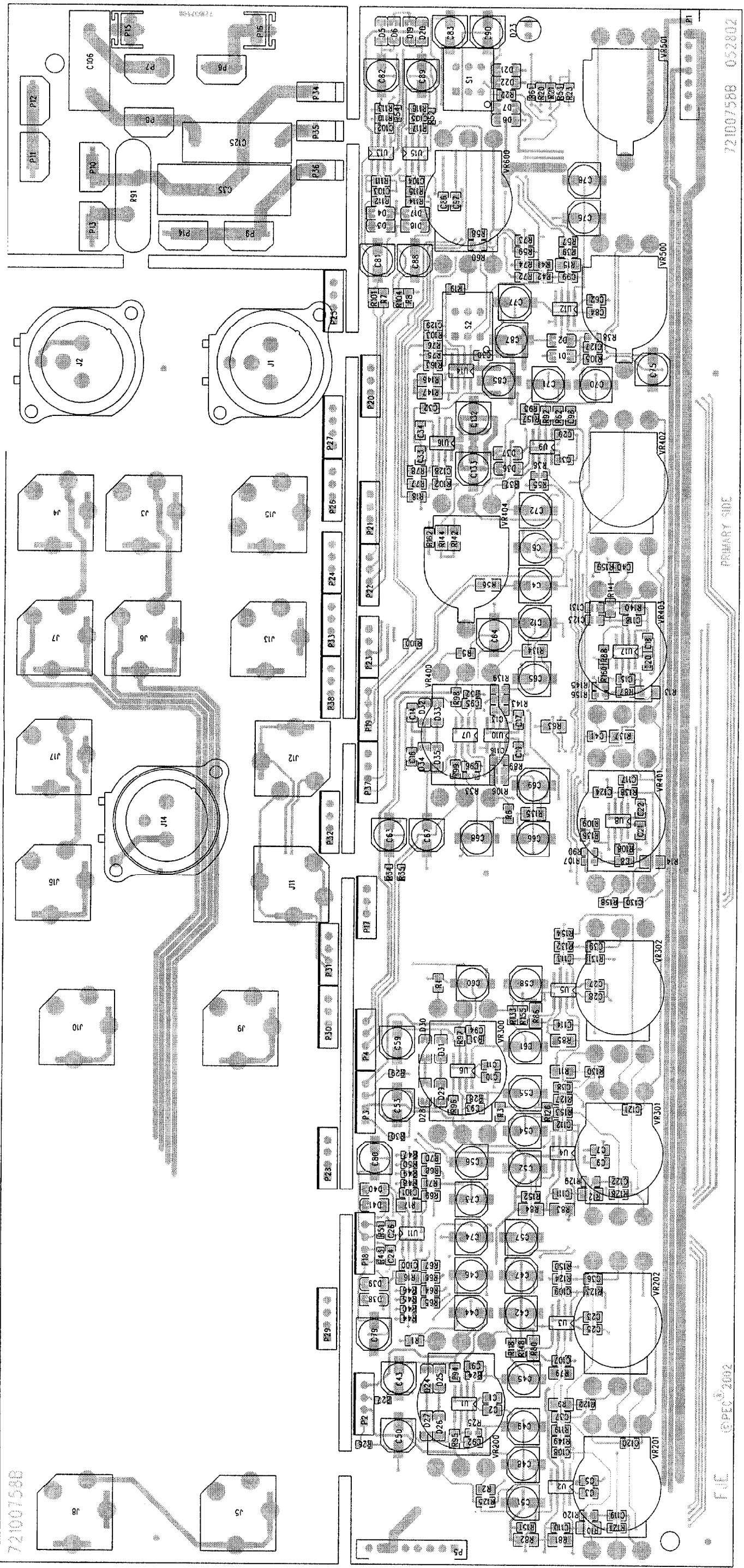


From EFX return jacks
Connected to P26

To Left XLR output
Connected to P25

To Headphone jack
Connected to P24

To Right XLR output
Connected to P27



721007588

FUC ©PEC 2002

PRIMARY SIDE

721007588 052802

BILL OF MATERIAL REPORT

REPORT DATE/TIME: 6/3/2002 10:38:49 AM

BOARD NAME: KB MAIN ASSEMBLY LEVEL NUMBER: 99050730

PROJECT NUMBER: P0100070 DESIGNER: ELC

Qty.	Part #	Description	Reference Designators
10	70200068	2.67K 1/4W 1% MF 1206	R9 R10 R11 R12 R13 R14 R56 R63 R137 R140
11	70200104	32.4K 1/4W 1% MF 1206	R15 R16 R17 R79 R80 R81 R82 R83 R84 R85 R86
2	70200160	15K 1/4W 1% MF 1206	R134 R135
4	70200173	4.99K 1/10W 1% MF 0805	R18 R19 R92 R93
21	70200174	10K 1/10W 1% MF 0805	R39 R41 R42 R57 R58 R59 R60 R87 R89 R106 R108 R110 R111 R112 R113 R114 R115 R116 R117 R139 R143
4	70200181	100 1/10W 1% MF 0805	R20 R21 R22 R23
8	70200188	1.00K 1/10W 1% MF 0805	R1 R2 R3 R4 R5 R6 R7 R8
1	70200191	1.65K 1/10W 1% MF 0805	R55
11	70200194	100K 1/10W 1% MF 0805	R94 R95 R96 R97 R98 R99 R100 R101 R104 R158 R159
21	70200196	10 1/10W 1% MF 0805	R64 R65 R66 R67 R68 R69 R70 R71 R72 R73 R74 R75 R76 R77 R78 R88 R109 R136 R160 R162 R163

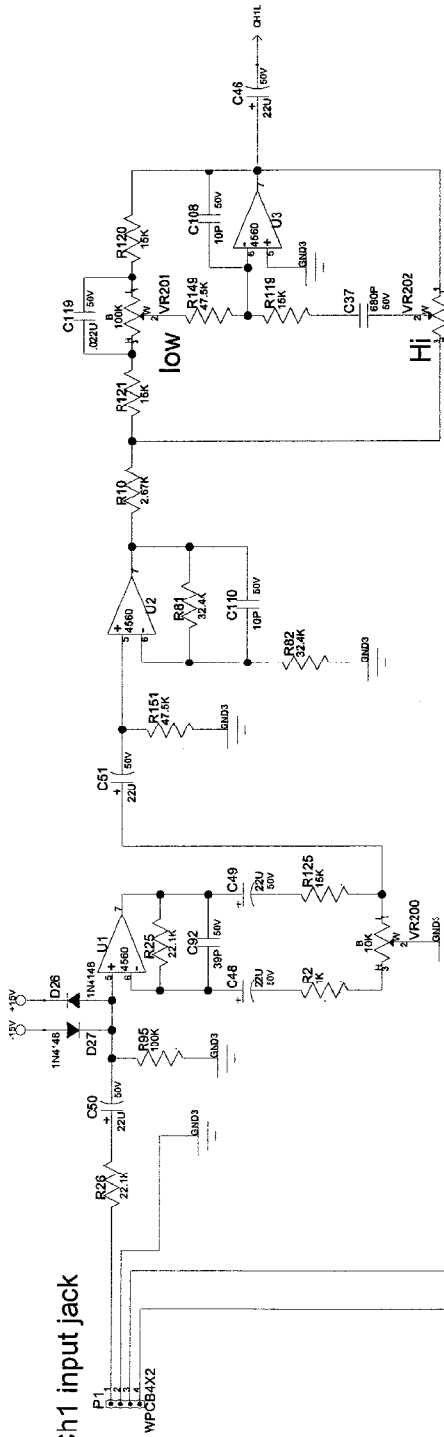
10	70200205	47.5K	1/10W 1% MF 0805	R102 R103 R148 R149 R150 R151 R152 R153 R154 R155
2	70200211	210K	1/10W 1% MF 0805	R138 R141
1	70200251	4.75K	1/10W 1% MF 0805	R105
33	70200296	22.1K	1/10W 1% MF 0603	R24 R25 R26 R27 R28 R29 R30 R31 R32 R33 R34 R35 R36 R37 R38 R40 R43 R44 R45 R46 R47 R48 R49 R50 R51 R52 R53 R54 R61 R90 R107 R145 R156
16	70200334	15.0K	1/10W 1% MF 0805	R118 R119 R120 R121 R122 R123 R124 R125 R126 R127 R128 R129 R130 R131 R132 R133
2	70200335	68.1K	1/10W 1% MF 0805	R62 R157
4	70200340	150	1/4W 1% MF 1206	R142 R144 R146 R147
1	70240210	5 OHM	12A INRUSH LIMITER	R91
32	70300085	0.1UF	50V 20% Z5U 0805	C1 C2 C3 C5 C7 C9 C10 C11 C14 C16 C17 C18 C19 C20 C21 C22 C23 C24 C25 C26 C27 C28 C29 C30 C31 C32 C33 C34 C62 C84 C86 C97
18	70300086	10PF	50V 5% NPO 0805	C8 C13 C15 C41 C107 C108 C109 C110 C111 C112 C113 C114 C116 C117 C118 C128 C129 C131
14	70300087	39PF	50V 5% NPO 0805	C91 C92 C93 C94 C95 C96 C98 C99 C100 C101 C102 C103 C104 C105
1	70300088	100PF	50V 5% NPO 0805	C127
2	70300090	470PF	50V 5% NPO 0805	C123 C124
2	70300096	6800PF	50V 10% X7R 0805	C40 C130

51	70300099	22UF	50V 20% EL	SMT6	C4 C6 C12 C42 C43 C44 C45 C46 C47 C48 C49 C50 C51 C52 C53 C54 C55 C56 C57 C58 C59 C60 C61 C63 C64 C65 C66 C67 C68 C69 C70 C71 C72 C73 C74 C75 C76 C77 C78 C79 C80 C81 C82 C83 C85 C87 C88 C89 C90 C132 C133
4	70300147	680PF	50V 5% NPO	0805	C36 C37 C38 C39
4	70300148	0.022UF	50V 10% X7R	0805	C119 C120 C121 C122
1	70320104	0.01UF	125V-20%	"X" RADH	C125
1	70320125	4700PF	400V 20%	"Y" RADH	C106
1	70320298	0.1UF	250V 20%	"X" RADH	C35
32	70418026	1N4148	(LL34) DIODE	SMT	D1 D2 D3 D4 D5 D6 D7 D8 D17 D18 D19 D20 D21 D22 D24 D25 D26 D27 D28 D29 D30 D31 D32 D33 D34 D35 D36 D37 D38 D39 D40 D41
17	70418053	4560	DUAL OPAMP	SO8	U1 U2 U3 U4 U5 U6 U7 U8 U9 U10 U11 U12 U13 U14 U15 U16 U17
1	70450037	BICOLOR LED	R/G	T1	D23
22	70600520	4C 2.5MM	WPCB	WPCB 2.25"	P2 P3 P4 P17 P18 P19 P20 P21 P22 P23 P24 P25 P26 P27 P28 P29 P30 P31 P32 P33 P37 P38
2	70900816	1/4"	SNAP-IN	FUSECLIP	P15 P16
4	70901890	STND .375	T4-40SW,AL,ST		HW1 HW2 HW3 HW4

3	71190335	50KB	SNGL 16MM	SPD	VR404 VR500 VR501
4	71190344	10KB	DUAL 16MM	SPD	VR200 VR300 VR400 VR600
7	71190360	100KB	DUAL 16MM	SPD	VR201 VR202 VR301 VR302 VR401 VR402 VR403
2	71322251	SWITCH	DPDT PP 3.3MM	PC V	S1 S2
13	71466214	2 TIP	HID JACK NINS	W/SPD	J3 J4 J5 J6 J7 J8 J9 J10 J11 J12 J13 J16 J17
1	71466216	STEREO	HID JACK	INSU W/SP	J15
2	71466324	MXLR	NC3MAV	A-SER VERT	J1 J2
1	71466325	FXLR	NC3FAV	A-SER VERT	J14
9	73716194	SPADE	.250	PC MNT .093	P6 P7 P8 P9 P10 P11 P12 P13 P14
3	73717003	1	STAKE	PIN .045 .625 TIN	P34 P35 P36
2	73717194	8	HDR	V DR 2.5MM TIN	P1 P5
6	FIDUCIAL	??			FIDUCIAL1 FIDUCIAL2
	FIDUCIAL4 FIDUCIAL5				FIDUCIAL6 FIDUCIAL8

 END OF BILL OF MATERIAL REPORT

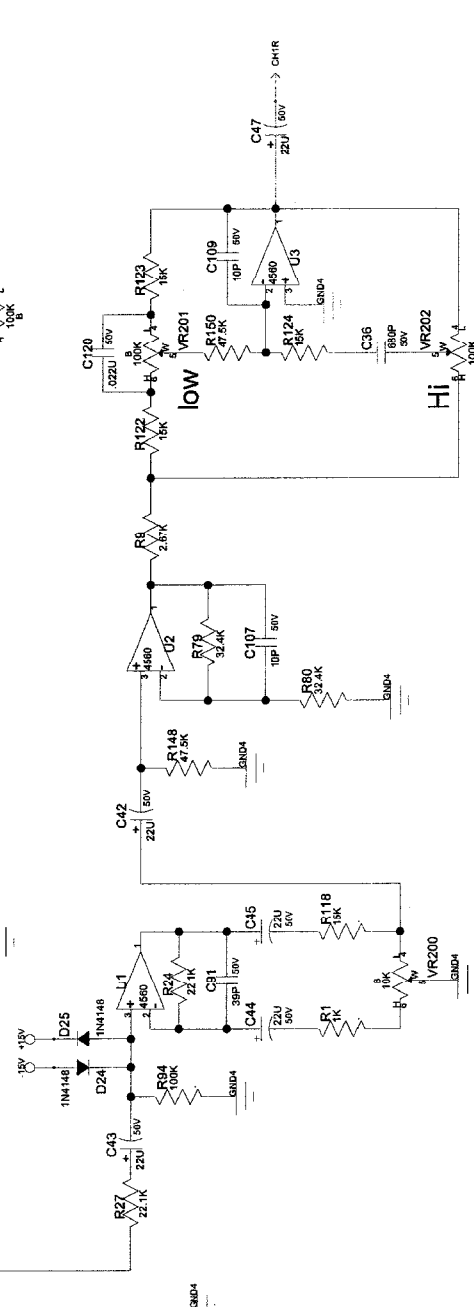
From Ch1 input jack



P3

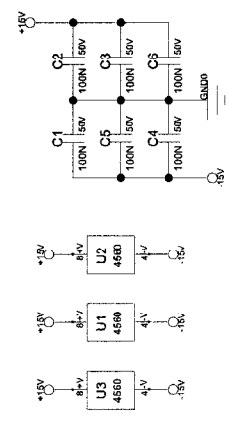
CH1L	← GND3
CH1R	← GND4
+15V	← GND5
← GND6	
← GND7	
← GND8	
← GND9	
← GND10	
← GND11	
← GND12	
← GND13	
← GND14	
← GND15	
← GND16	
← GND17	
← GND18	
← GND19	
← GND20	
← GND21	
← GND22	
← GND23	
← GND24	
← GND25	
← GND26	
← GND27	
← GND28	
← GND29	
← GND30	
← GND31	
← GND32	
← GND33	
← GND34	
← GND35	
← GND36	
← GND37	
← GND38	
← GND39	
← GND40	
← GND41	
← GND42	
← GND43	
← GND44	
← GND45	
← GND46	
← GND47	
← GND48	
← GND49	
← GND50	
← GND51	
← GND52	
← GND53	
← GND54	
← GND55	
← GND56	
← GND57	
← GND58	
← GND59	
← GND60	
← GND61	
← GND62	
← GND63	
← GND64	
← GND65	
← GND66	
← GND67	
← GND68	
← GND69	
← GND70	
← GND71	
← GND72	
← GND73	
← GND74	
← GND75	
← GND76	
← GND77	
← GND78	
← GND79	
← GND80	
← GND81	
← GND82	
← GND83	
← GND84	
← GND85	
← GND86	
← GND87	
← GND88	
← GND89	
← GND90	
← GND91	
← GND92	
← GND93	
← GND94	
← GND95	
← GND96	
← GND97	
← GND98	
← GND99	
← GND100	

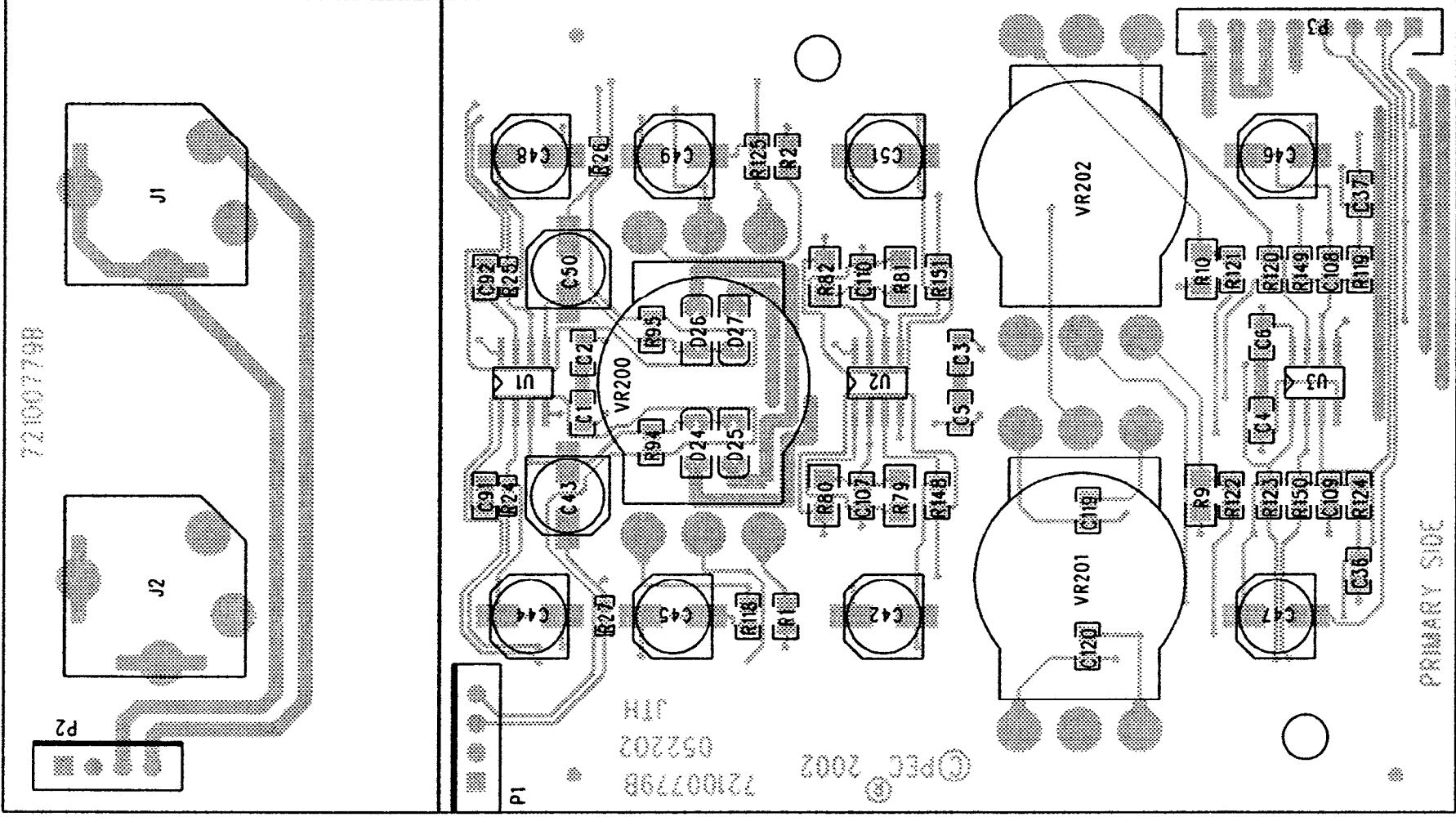
From Main Board



Ch 1 Left/mono Input Jack

Ch 1 Right Input Jack





PRIMARY SIDE

PEC 2002

72100779B
052202
JTH

72100779B



BILL OF MATERIAL REPORT

REPORT DATE/TIME: 5/28/2002 2:39:21 PM

BOARD NAME: KBA 5 ADD ON ASSEMBLY LEVEL NUMBER: 99051870B.BOM

PROJECT NUMBER: P0100070 DESIGNER: GWG

Qty.	Part #	Description	Reference Designators
2	70200068	2.67K 1/4W 1% MF 1206	R9 R10
4	70200104	32.4K 1/4W 1% MF 1206	R79 R80 R81 R82
2	70200188	1.00K 1/10W 1% MF 0805	R1 R2
2	70200194	100K 1/10W 1% MF 0805	R94 R95
4	70200205	47.5K 1/10W 1% MF 0805	R148 R149 R150 R151
4	70200296	22.1K 1/10W 1% MF 0603	R24 R25 R26 R27
8	70200334	15.0K 1/10W 1% MF 0805	R118 R119 R120 R121 R122 R123 R124 R125
6	70300085	0.1UF 50V 20% Z5U 0805	C1 C2 C3 C4 C5 C6
4	70300086	10PF 50V 5% NPO 0805	C107 C108 C109 C110
2	70300087	39PF 50V 5% NPO 0805	C91 C92
10	70300099	22UF 50V 20% EL SMT6	C42 C43 C44 C45 C46 C47 C48 C49 C50 C51
2	70300147	680PF 50V 5% COG 0805	C36 C37
2	70300148	0.022UF 50V 10% X7R 0805	C119 C120
4	70418026	1N4148 (LL34) DIODE SMT	D24 D25 D26 D27
3	70418053	4560 DUAL OPAMP SO8	U1 U2 U3

2	70600520	4C 2.5MM WPCB WPCB 2.25"	P1 P2
1	71190344	10KB DUAL 16MM SPD	VR200
2	71190360	100KB DUAL 16MM SPD	VR201 VR202
2	71466214	2 TIP HID JACK NINS W/SPD	J1 J2
1	73717194	8 HDR V DR 2.5MM TIN	P3
3	FIDUCIAL	????????????????????????????????	FID1 FID2 FID3

END OF BILL OF MATERIAL REPORT