

BILL OF MATERIAL REPORT

REPORT DATE/TIME: 3/3/2005 8:47:25 AM

BOARD NAME: MAX 115 ASSEMBLY LEVEL NUMBER: 99060580

PROJECT NUMBER: P0300070 DESIGNER: JTH

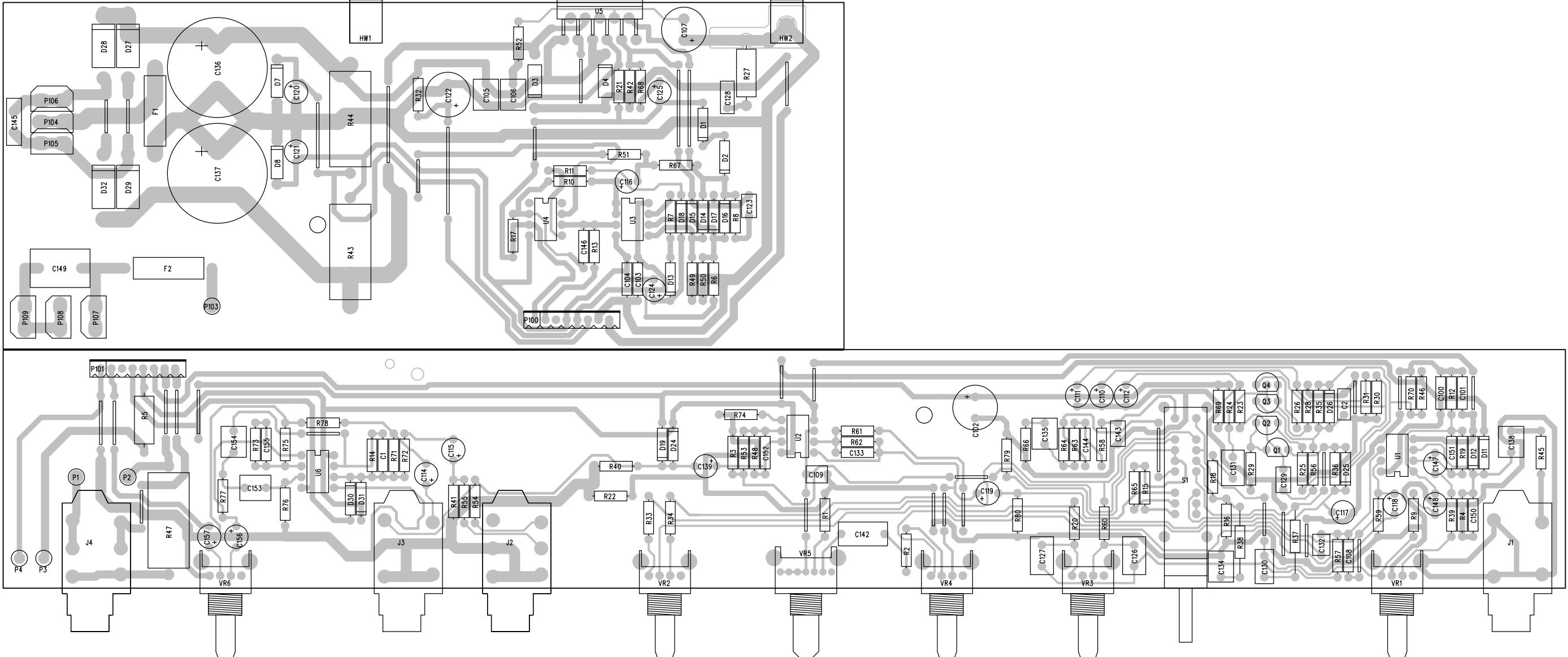
Qty.	Part #	Description	Reference Designators
1	70210007	1500 1W 5% MO AXL	R5
1	70210015	4.7 1W 10% MO AXL	R27
1	70240010	100 1/4W 5% CF AXL	R17
1	70240015	470 1/4W 5% CF AXL	R39
3	70240018	1500 1/4W 5% CF AXL	R30 R31 R32
3	70240020	2200 1/4W 5% CF AXL	R54 R55 R66
3	70240021	2700 1/4W 5% CF AXL	R7 R8 R9
2	70240022	3300 1/4W 5% CF AXL	R53 R74
2	70240023	4700 1/4W 5% CF AXL	R45 R68
1	70240024	6800 1/4W 5% CF AXL	R67
5	70240025	10K 1/4W 5% CF AXL	R10 R11 R12 R71 R72
5	70240027	15K 1/4W 5% CF AXL	R14 R46 R58 R76 R77
1	70240029	22K 1/4W 5% CF AXL	R73
2	70240030	33K 1/4W 5% CF AXL	R19 R75
6	70240031	47K 1/4W 5% CF AXL	R13 R15 R49 R50 R51 R52
5	70240034	100K 1/4W 5% CF AXL	R40 R41 R42 R48 R65
2	70240036	220K 1/4W 5% CF AXL	R3 R4
4	70240039	1M 1/4W 5% CF AXL	R16 R78 R79 R80
1	70240040	2.2M 1/4W 5% CF AXL	R6

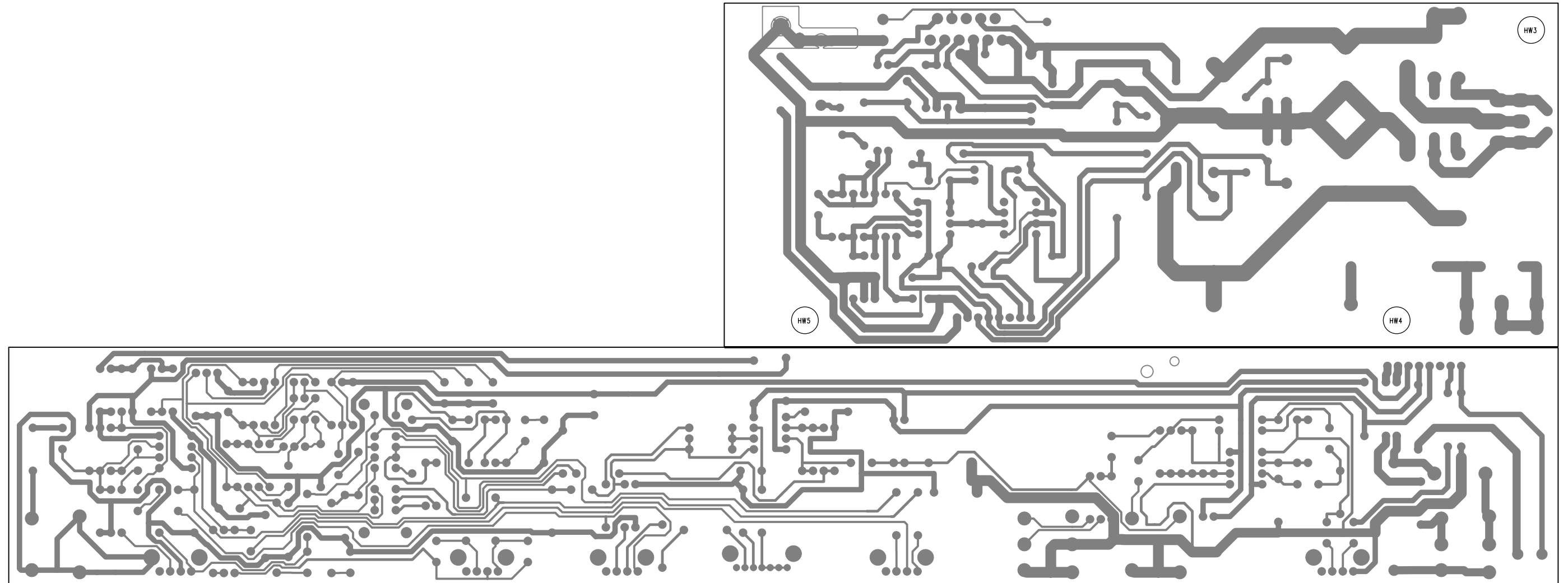
1	70240048	39K	1/4W	5%	CF	AXL	R18
1	70240049	8.2K	1/4W	5%	CF	AXL	R38
2	70240052	37.4K	1/4W	1%	MF	AXL	R23 R24
2	70240062	2.4K	1/4W	5%	CF	AXL	R69 R70
2	70240090	47	1/4W	5%	FP	AXL	R21 R22
2	70240151	100K	1/4W	1%	MF	AXL	R28 R29
2	70241018	2.67K	1/4W	1%	MF	AXL	R33 R34
1	70241021	4.64K	1/4W	1%	MF	AXL	R20
1	70241027	15.0K	1/4W	1%	MF	AXL	R57
3	70241037	243K	1/4W	1%	MF	AXL	R35 R36 R37
2	70241043	6.81K	1/4W	1%	MF	AXL	R1 R2
6	70241050	10K	1/4W	1%	MF	AXL	R59 R60 R61 R62 R63 R64
2	70241078	1.82K	1/4W	1%	MF	AXL	R25 R26
1	70241122	3.92M	1/4W	1%	MF	AXL	R56
2	70320180	2.2UF	50V	20%	EL	RAD	C147 C148
14	70320181	22UF	50V	20%	EL	RAD	C110 C111 C112 C114 C115 C116 C117 C118 C119 C120 C121 C139 C156 C157
2	70320185	10UF	50V	20%	ELL	RAD	C124 C125
1	70320187	220UF	50V	20%	EL	RAD	C122
1	70320248	0.01UF	1000V	80-20%	Z5U	RAD	C145
2	70320260	4700UF	50V	20%	EL	SNPH	C136 C137
2	70320264	100UF	63V	20%	EL	RAD	C102 C107
1	70320309	0.039UF	400V	5%	PE	RADH	C142
1	70320556	0.1UF	275V	10%	"X"	RADH	C149
1	70330113	0.1UF	100V	10%	PPS	RAD	C128
1	70330114	0.22UF	100V	5%	PES	RAD	C138
2	70330117	6800PF	50V	5%	PE	RAD	C109 C132

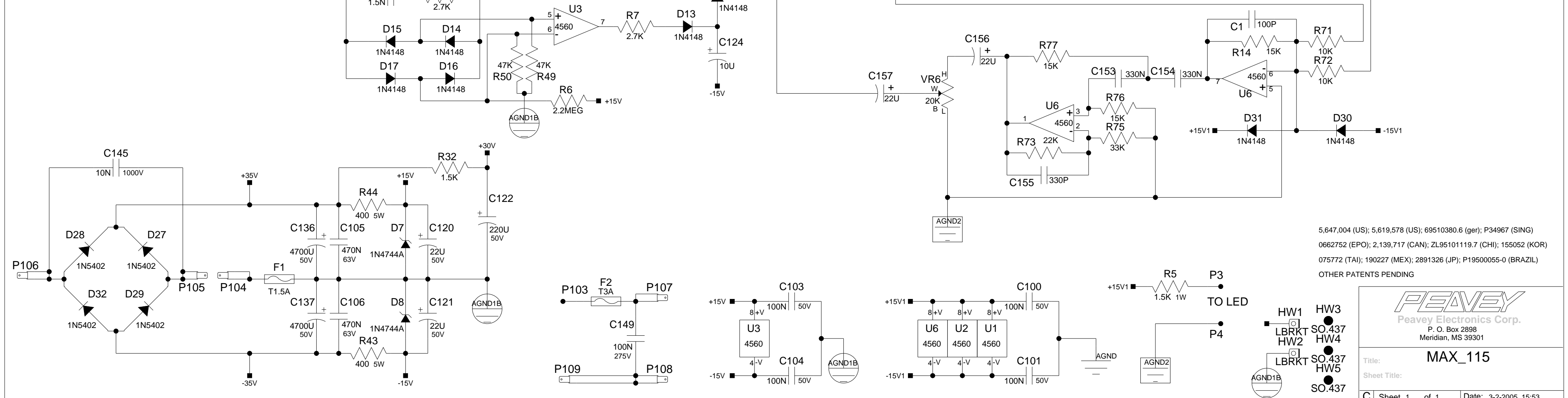
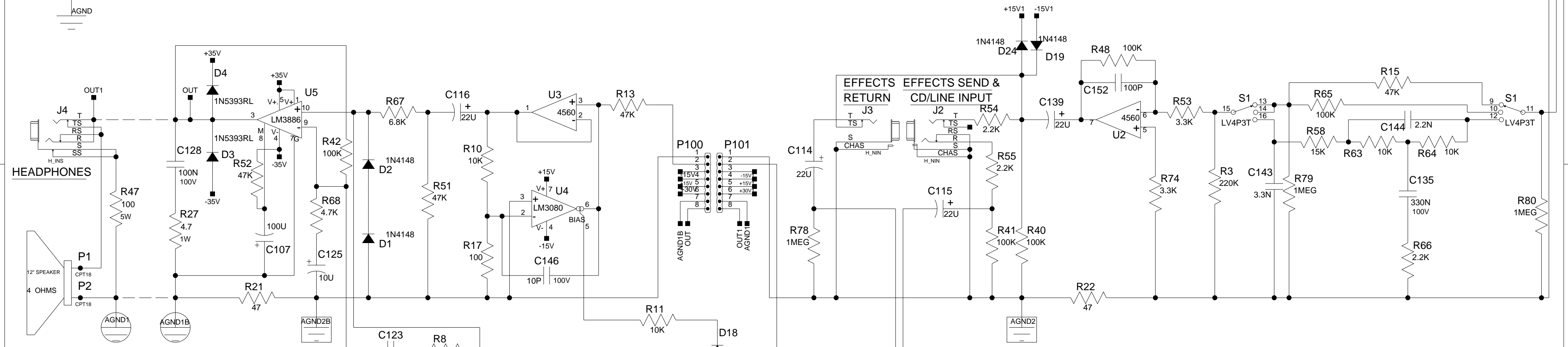
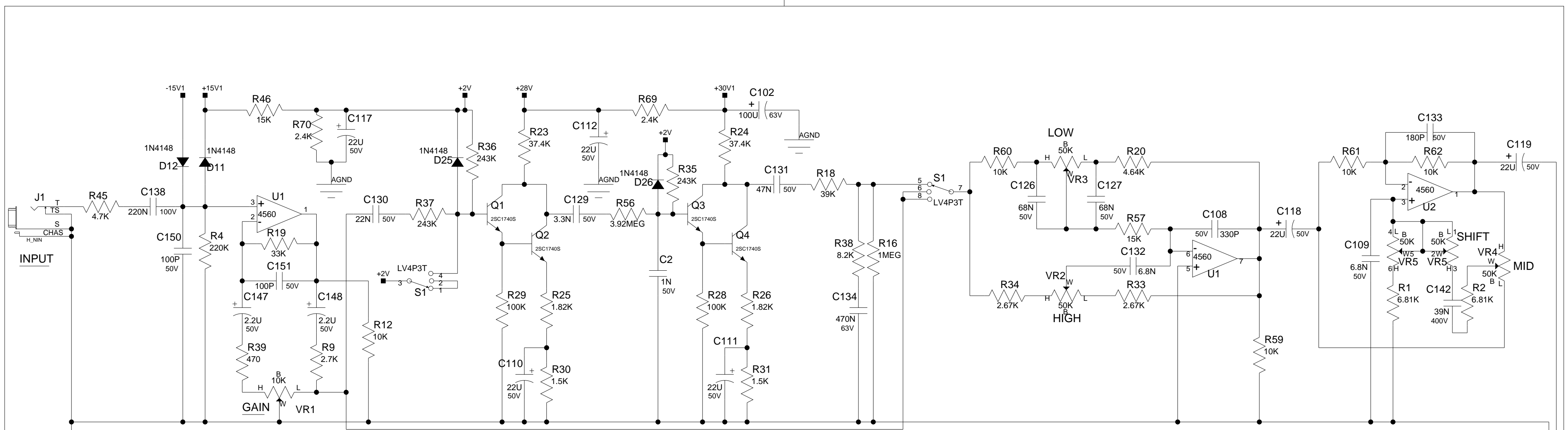
1	70330120	1500PF 50V 5% PE RAD	C123
2	70330124	0.068UF 50V 5% PE RAD	C126 C127
2	70330130	3300PF 50V 5% PE RAD	C129 C143
1	70330134	0.022UF 50V 5% PE RAD	C130
1	70330136	0.047UF 50V 5% PE RAD	C131
3	70330146	0.33UF 100V 5% PES RAD	C135 C153 C154
1	70330156	1000PF 50V 5% PE RAD	C2
3	70330159	0.47UF 63V 5% PES RAD	C105 C106 C134
1	70340004	2200PF 50V 10% X7R AXL	C144
1	70340050	10PF 100V 5% NPO AXL	C146
4	70340054	100PF 50V 10% NPO AXL	C1 C150 C151 C152
1	70340056	180PF 50V 10% NPO AXL	C133
2	70340070	330PF 50V 10% NPO AXL	C108 C155
4	70340100	0.1UF 50V 80-20% Z5U AXL	C100 C101 C103 C104
4	70400502	MR502/1N5402 200V 3A DIOD	D27 D28 D29 D32
4	70401740	2SC1740SLN NPN LN RAD	Q1 Q2 Q3 Q4
1	70403886	LM3886 68W AUDIO PWR AMP W/MUT	U5
1	70413080	LM3080N CUSTOM SELECTED	U4
4	70414560	4560 DUAL OPAMP DIP8	U1 U2 U3 U6
16	70464148	1N4148 75V 10MA DIODE	D1 D2 D11 D12 D13 D14 D15 D16 D17 D18 D19 D24 D25 D26 D30 D31
2	70464744	1N4744A 15V 1W 5% ZENER	D7 D8
2	70465393	1N5393-RL 1.5A RECT DIODE	D3 D4
2	70600533	8C 2.5MM WPCB WPCB 2.5"	P100 P101
1	70901182	FUSE, 3A 250V 2AG T&R	F2

1	70901446	FUSE, 1.5A--2AG--S/B--T&R	F1
3	70901891	STND .437 T4-40,SW,AL	HW3 HW4 HW5
1	71190900	10KB SNGL 12MM HOR	VR1
1	71190903	20KB SNGL 12MM HOR	VR6
3	71190905	50KB SNGL 12MM DET HOR	VR2 VR3 VR4
1	71190921	50KB DUAL 14MM DET HOR	VR5
1	71322396	SWITCH 4P3T RA LEVER PC H	S1
1	71466223	JACK, STEREO R/A 1/4" 6.5MM	J4
2	71466322	JACK, MONO R/A 1/4" 6.5MM NINS	J1 J3
1	71466323	JACK, STEREO R/A 1/4" 6.5MM NINS	J2
2	71500238	LBRACKET #741 T4-40	HW1 HW2
1	71600258	100 5W 10% WW AXLH SL	R47
2	71600267	400 5W 10% WW AXLH SL	R43 R44
3	73713813	WR-TO-BD CRIMP TERM 18GA	P1 P2 P103
2	73713818	WR-TO-BD CRIMP TERM 26GA	P3 P4
6	73716194	SPADE .250 PC MNT .093	P104 P105 P106 P107 P108 P109
34	JUMPER	????????????????????????????	JMP1 JMP2 JMP3 JMP4 JMP5 JMP9 JMP11 JMP12 JMP13 JMP14 JMP17 JMP18 JMP19 JMP21 JMP23 JMP24 JMP26 JMP28 JMP29 JMP30 JMP31 JMP32 JMP33 JMP34 JMP37 JMP38 JMP39 JMP40 JMP41 JMP42 JMP43 JMP44 JMP47 JMP48
1	TAB_VCI	????????????????????????????	VC1

 END OF BILL OF MATERIAL REPORT







5,647,004 (US); 5,619,578 (US); 69510380.6 (ger); P34967 (SING)
 0662752 (EPO); 2,139,717 (CAN); ZL95101119.7 (CHI); 155052 (KOR)
 075772 (TAI); 190227 (MEX); 2891326 (JP); P19500055-0 (BRAZIL)
 OTHER PATENTS PENDING



MAX_115
 Sheet Title:
 C Sheet 1 of 1 Date: 3-2-2005_15:53