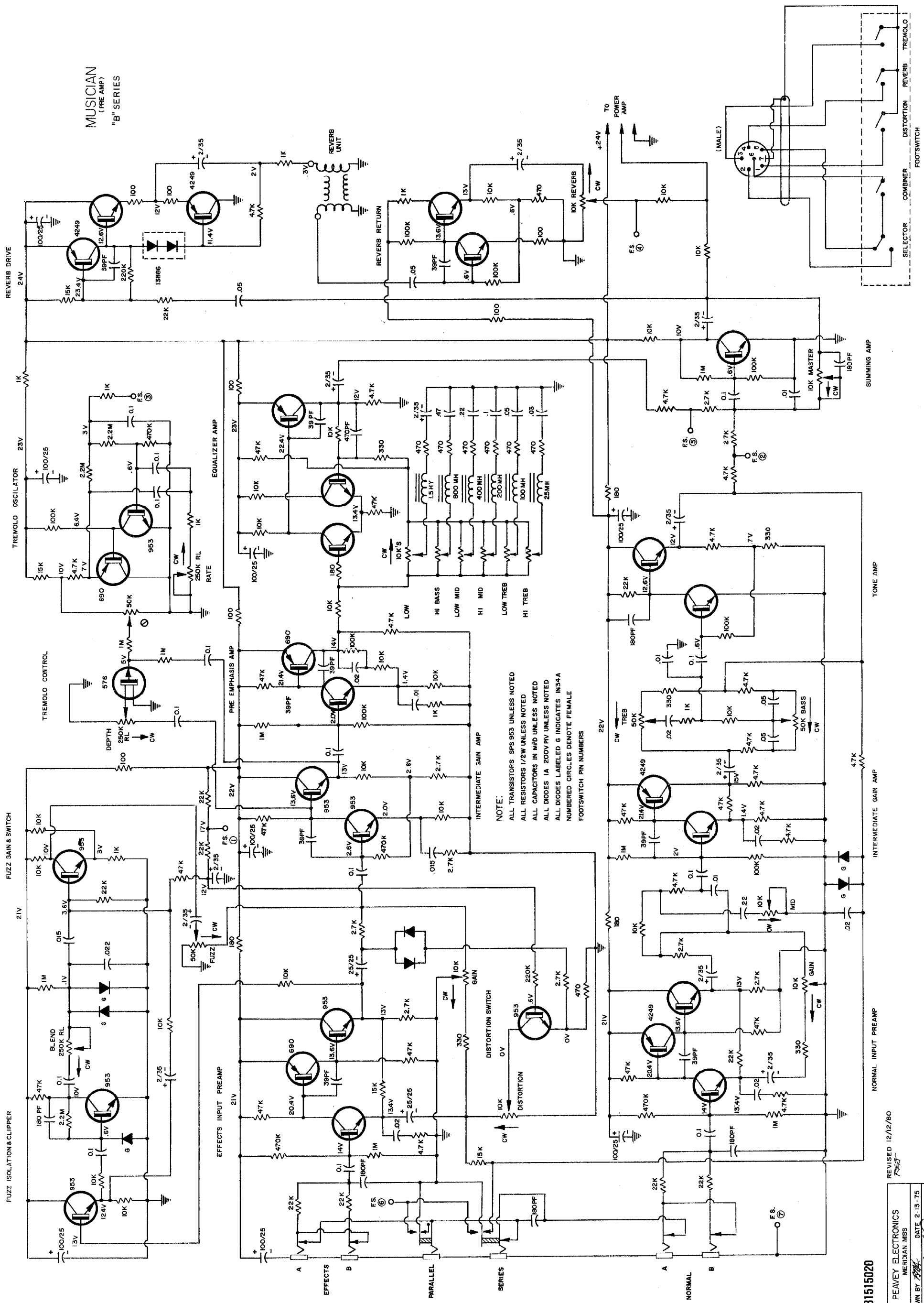


MUSICIAN  
(PRE AMP)  
"B" SERIES



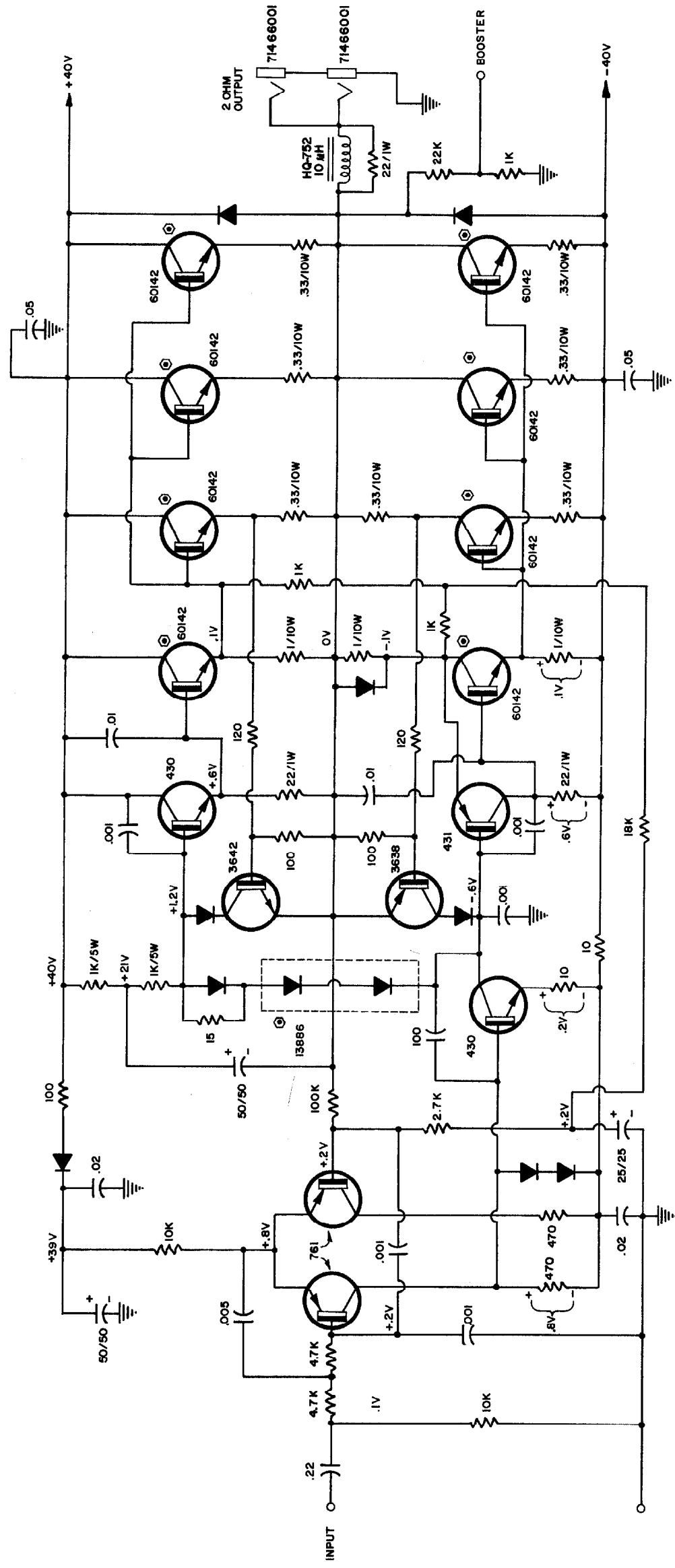
NOTE:  
ALL TRANSISTORS SPS 953 UNLESS NOTED  
ALL RESISTORS 1/2W UNLESS NOTED  
ALL CAPACITORS IN MFD UNLESS NOTED  
ALL DIODES 1A 200V PV UNLESS NOTED  
NUMBERED CIRCLES DENOTE FEMALE  
FOOTSWITCH PIN NUMBERS

81515020

REVISED 12/12/80

PEAVEY ELECTRONICS  
MERIDIAN MSS  
DRAWN BY [Signature]  
CHECKED BY [Signature]  
DATE 2-13-75  
APPROVED BY [Signature]

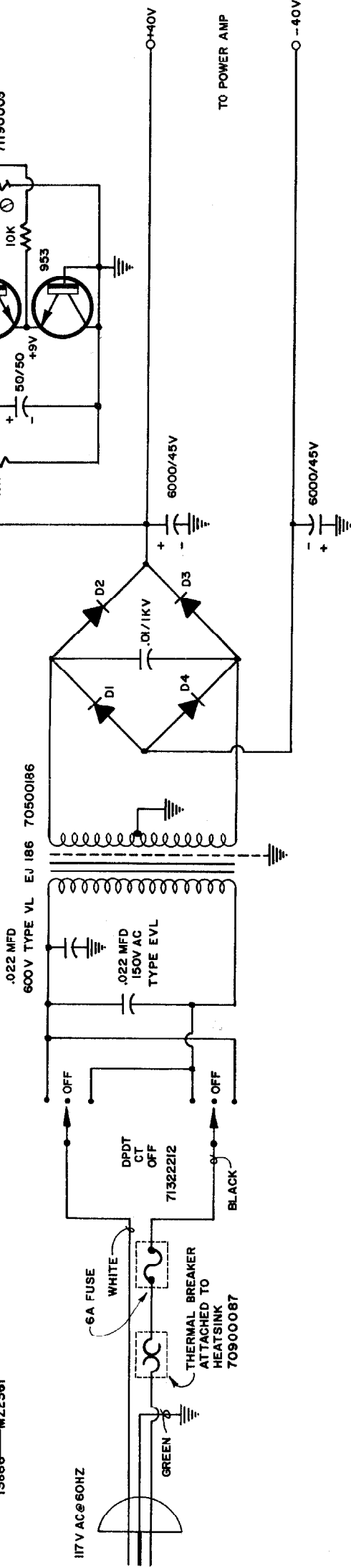
COPYRIGHT 1980 PRINTED IN U.S.A.



**TRANSISTOR CROSS REFERENCE LIST**

- 761 — 2N5400
- 3642 — 2N3642
- 3638 — 2N3638
- 430 — TIP31C
- 431 — TIP30C
- 3904 — 2N3391A
- 60142 — 2N3772
- 13886 — MZ2361

⊗ ATTACHED TO HEATSINK  
 ALL DIODES 1A UNLESS NOTED  
 DI-D4 MR752 (6A 200V)



**400 MODULE B-SERIES**  
 P/N 81505036

PEAVEY ELECTRONICS CORP.  
 MERIDIAN, MS  
 DRAWN BY: *[Signature]* DATE 4-29-75  
 CHECKED BY: *[Signature]*  
 APPROVED BY: *[Signature]*