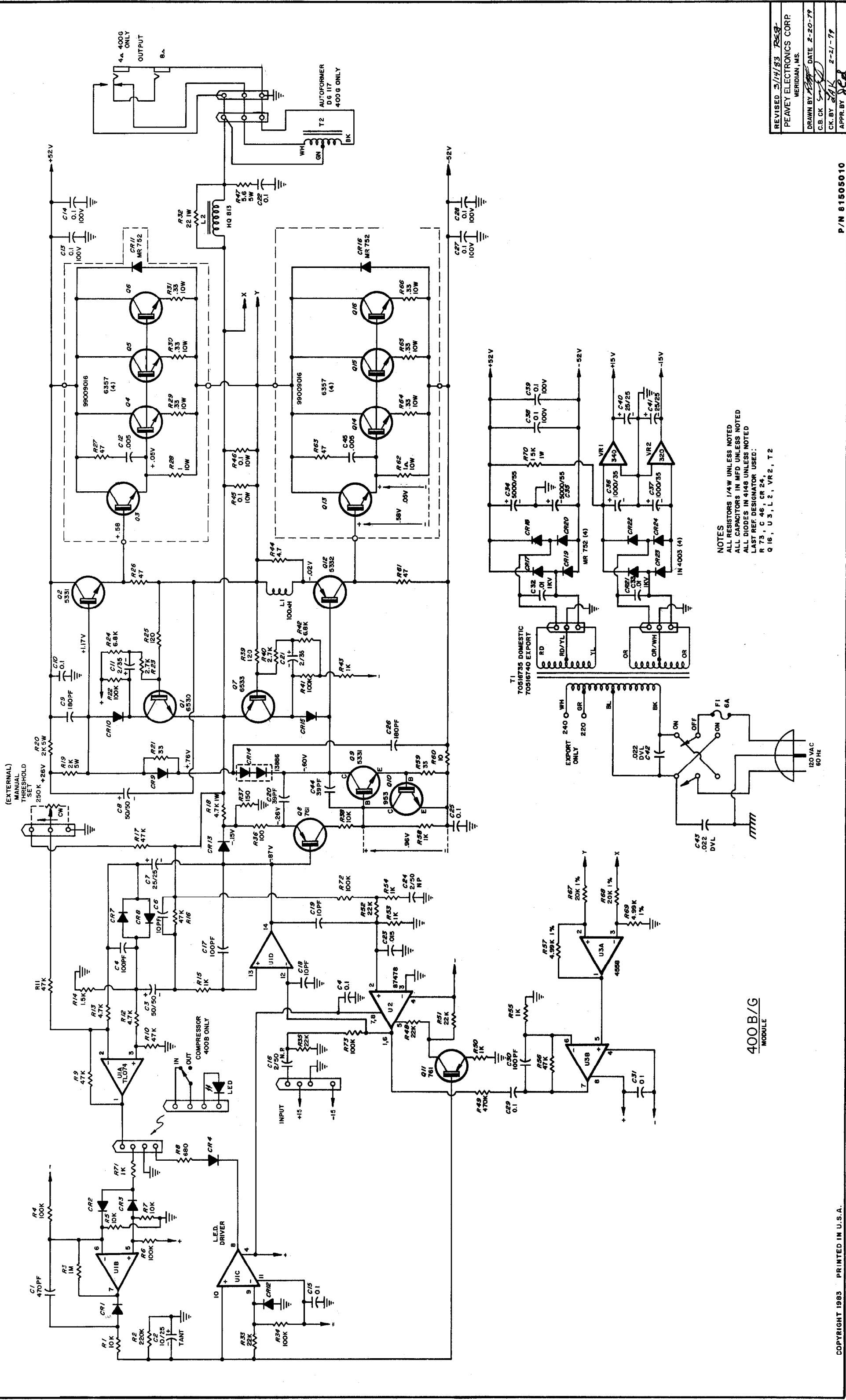


NOTES:
 ALL POTS ARE LINEAR UNLESS NOTED
 ALL RESISTORS 1/4W UNLESS NOTED
 ALL CAPACITORS IN MFD UNLESS NOTED
 LAST REF. DESIGNATOR USED
 R 174 C 156 CR 28
 Q 2 U21 52

REVISED 7/16/79
 PEAVEY ELECTRONICS CORP.
 MERIDAN, MS.
 DRAWN BY: [Signature]
 CK. BY: [Signature]
 APPR. BY: [Signature]

MUSICIAN
 MARK III SERIES



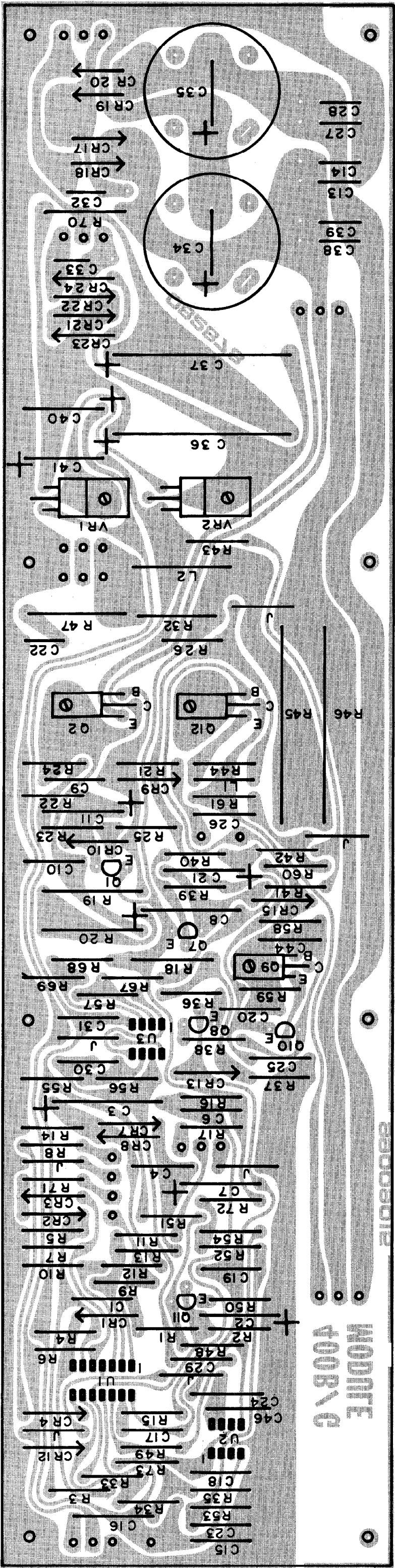
NOTES
 ALL RESISTORS 1/4W UNLESS NOTED
 ALL CAPACITORS IN MFD UNLESS NOTED
 ALL DIODES IN 4148 UNLESS NOTED
 LAST REF DESIGNATOR USED:
 R 73, C 46, CR 24,
 Q 16, U 3, L 2, VR 2, T 2

400 B/G
 MODULE

REVISED 3/14/83 RES-3
 PEAVEY ELECTRONICS CORP
 MERIDIAN, MS.
 DRAWN BY [Signature] DATE 2-20-79
 C.B. CK [Signature]
 CK BY [Signature] 2-21-79
 APPR BY [Signature]

P/N 81505010

COPYRIGHT 1983 PRINTED IN U.S.A.



MODITE
400B7G

80008012

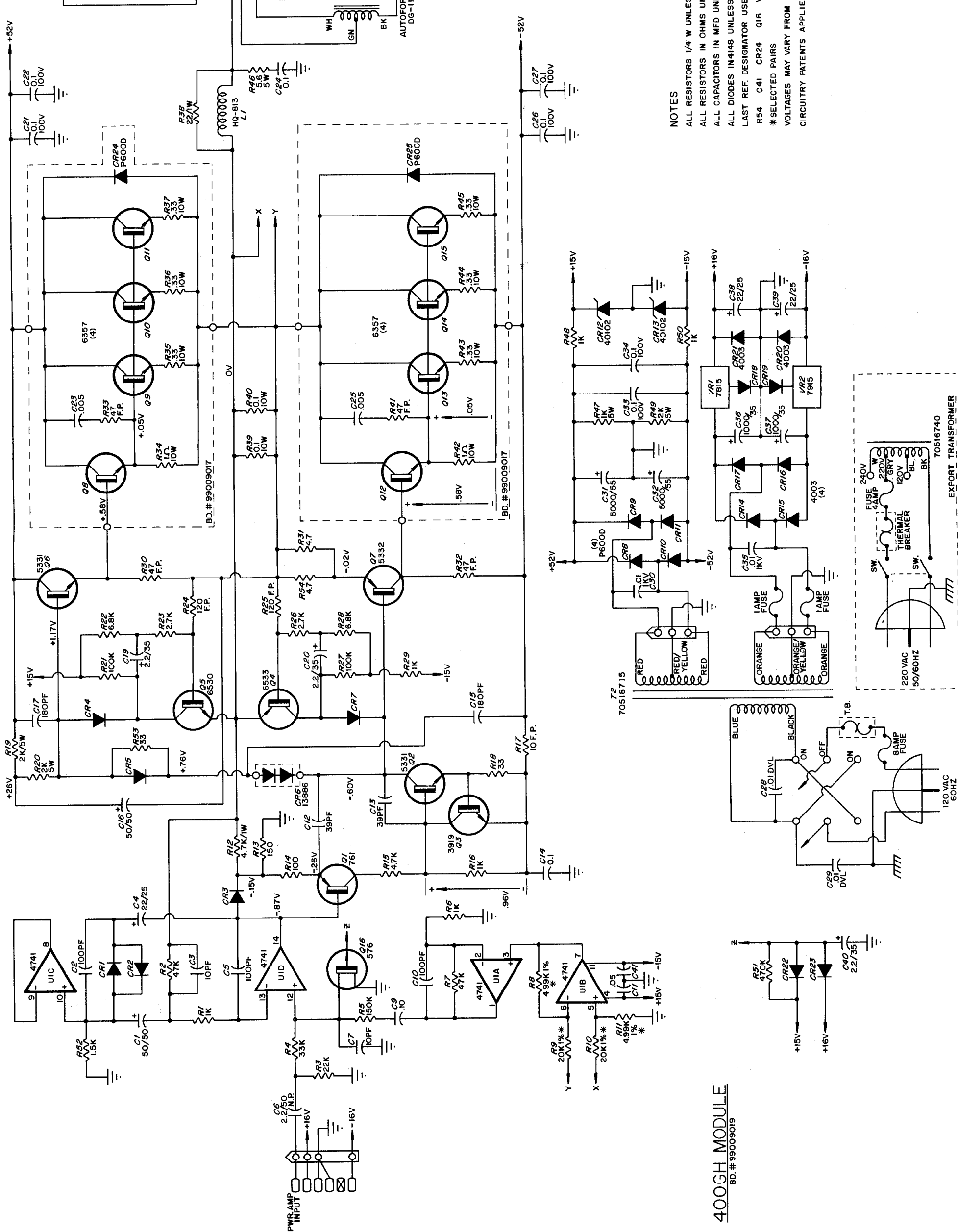
- C15
- C16
- C17
- C18
- C19
- C20
- C21
- C22
- C23
- C24
- C25
- C26
- C27
- C28
- C29
- C30
- C31
- C32
- C33
- C34
- C35
- C36
- C37
- C38
- C39
- C40
- C41
- C42
- C43
- C44
- C45
- C46

- R1
- R2
- R3
- R4
- R5
- R6
- R7
- R8
- R9
- R10
- R11
- R12
- R13
- R14
- R15
- R16
- R17
- R18
- R19
- R20
- R21
- R22
- R23
- R24
- R25
- R26
- R27
- R28
- R29
- R30
- R31
- R32
- R33
- R34
- R35
- R36
- R37
- R38
- R39
- R40
- R41
- R42
- R43
- R44
- R45
- R46
- R47
- R48
- R49
- R50
- R51
- R52
- R53
- R54
- R55
- R56
- R57
- R58
- R59
- R60
- R61
- R62
- R63
- R64
- R65
- R66
- R67
- R68
- R69
- R70

- U1
- U2
- U3

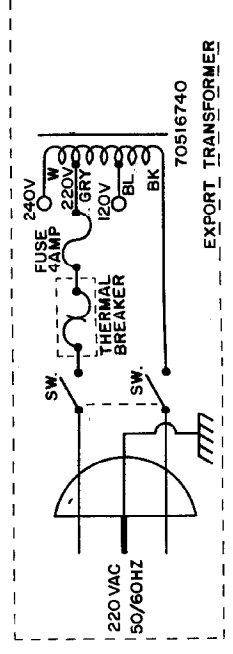
- VR1
- VR2

- CR1
- CR2
- CR3
- CR4
- CR7
- CR8
- CR9
- CR10
- CR11
- CR12
- CR13
- CR15
- CR17
- CR18
- CR19
- CR20
- CR21
- CR22
- CR23
- CR24
- CR33



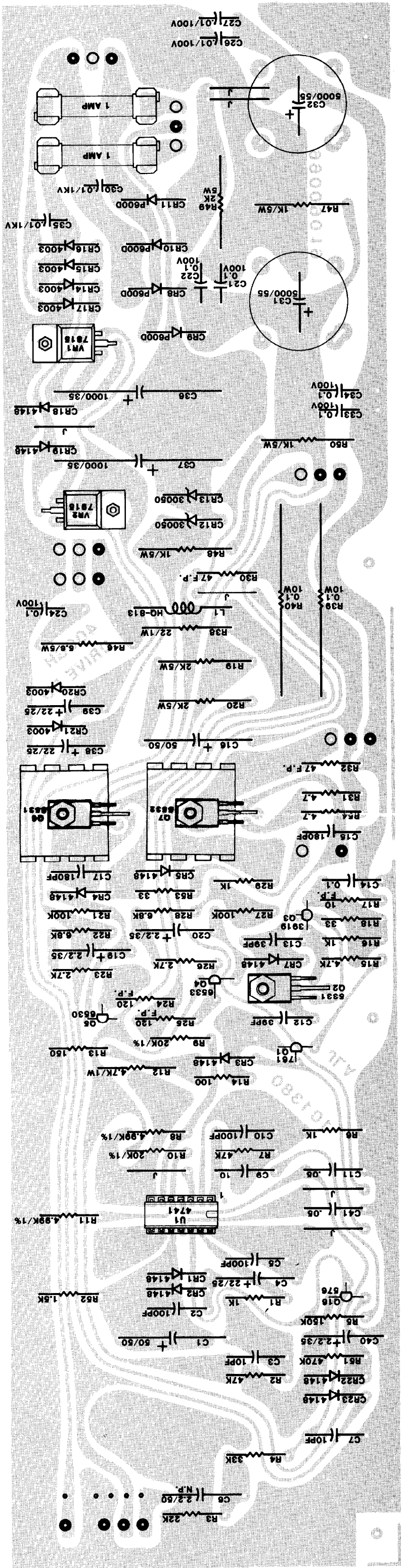
400GH MODULE
BD.#99009019

NOTES
 ALL RESISTORS 1/4 W UNLESS NOTED
 ALL RESISTORS IN OHMS UNLESS NOTED
 ALL CAPACITORS IN MFD UNLESS NOTED
 LAST REF. DESIGNATOR USED:
 R54 C41 CR24 Q16 VR2 U1 T2
 *SELECTED PAIRS
 VOLTAGES MAY VARY FROM UNIT TO UNIT
 CIRCUITRY PATENTS APPLIED FOR AND PENDING

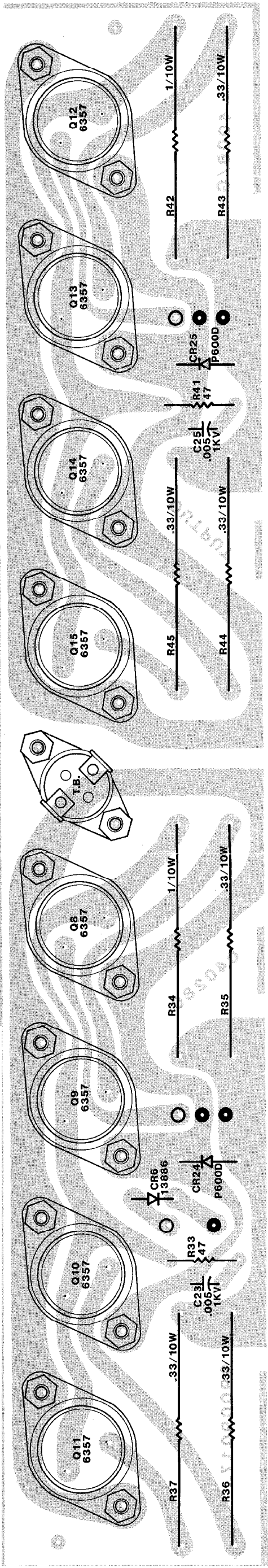


REVISED 3/14/83	REB
PEAVEY ELECTRONICS CORP. MERIDIAN, MS.	
DRAWN BY REB	DATE 1-22-81
C.B. CHECK REB	
CHECK BY JCO	
APPR. BY JCO	

P/N 81505015



400GH DRIVE BD.



400GH OUTPUT BD.