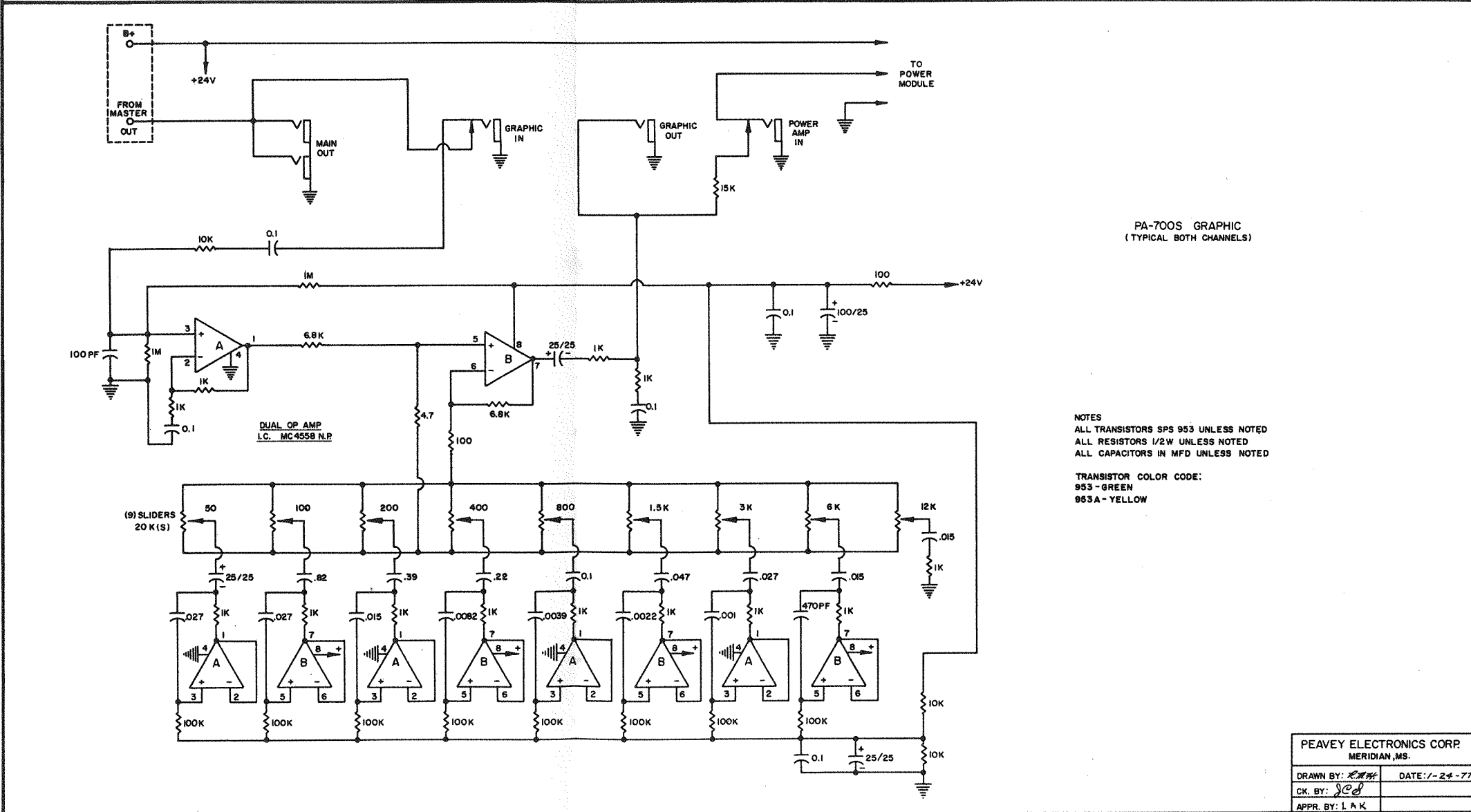


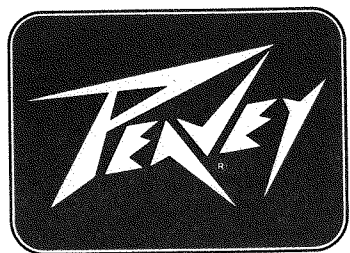
PA-700S
PRE-AMP
(TYPICAL EACH CHANNEL)



PA-700S GRAPHIC
(TYPICAL BOTH CHANNELS)

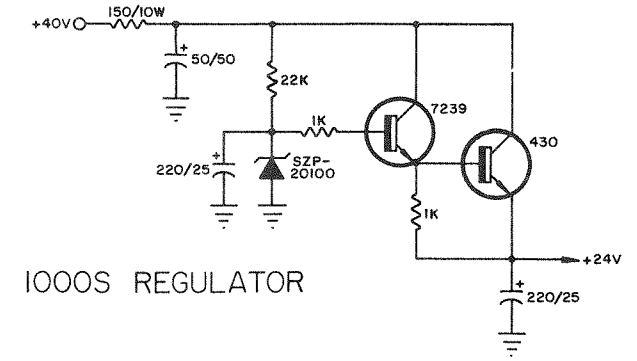
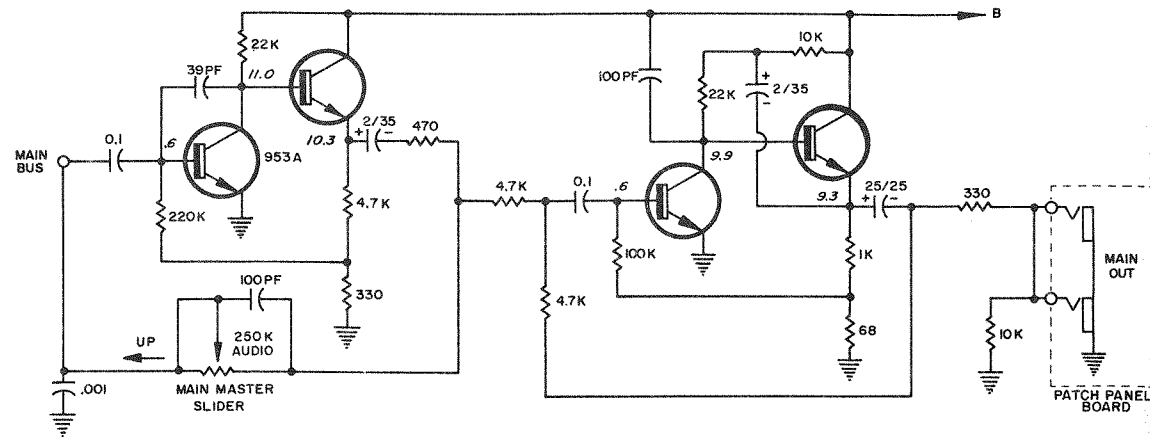
NOTES
ALL TRANSISTORS SPS 953 UNLESS NOTED
ALL RESISTORS 1/2W UNLESS NOTED
ALL CAPACITORS IN MFD UNLESS NOTED

TRANSISTOR COLOR CODE:
953 - GREEN
953A - YELLOW

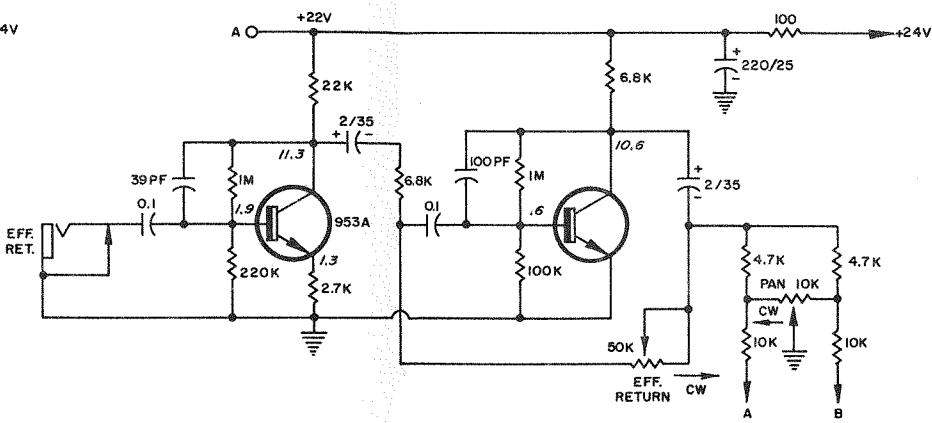
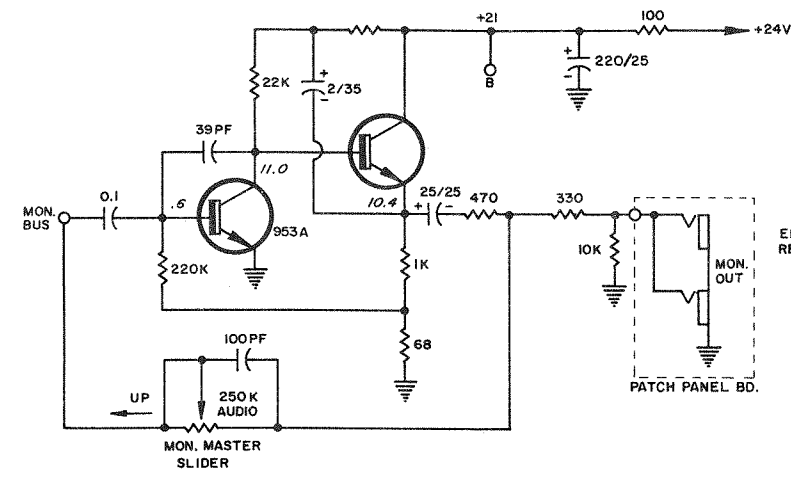


PEAVEY ELECTRONICS CORP.	
MERIDIAN, MS.	
DRAWN BY: <i>[Signature]</i>	DATE: 1-24-77
CK. BY: <i>[Signature]</i>	
APPR. BY: L.A.K.	

TYPICAL FOR BOTH A & B MASTER SECTION



1000S REGULATOR



PA-700S/1000S (MASTER)

NOTE:
ALL TRANSISTORS SPS 953 UNLESS NOTED
ALL CAPACITORS IN MFD UNLESS NOTED
ALL RESISTORS 1/2W UNLESS NOTED

TRANSISTOR COLOR CODE
953-GREEN
953A-YELLOW

