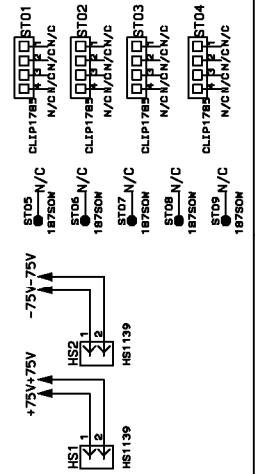
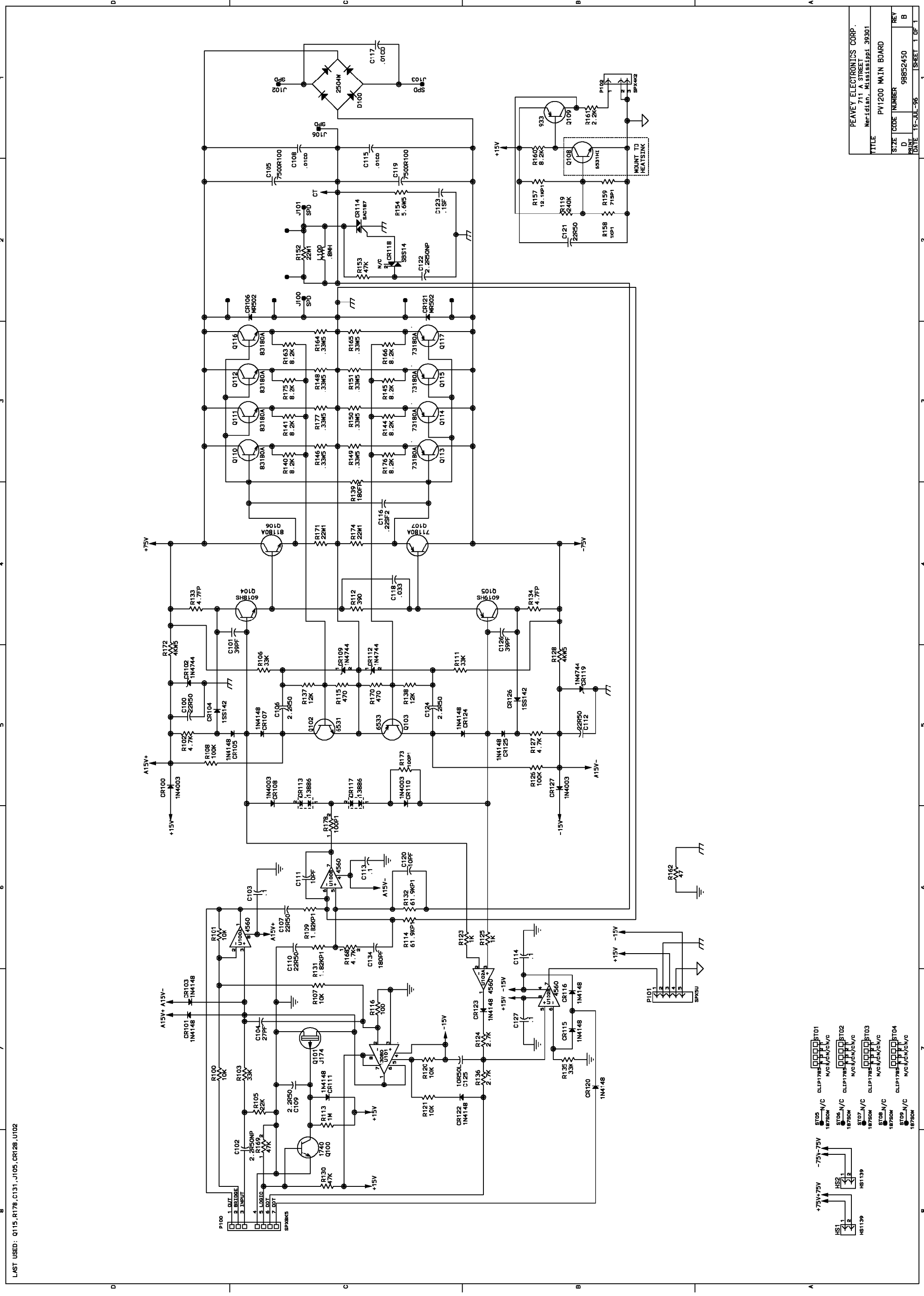
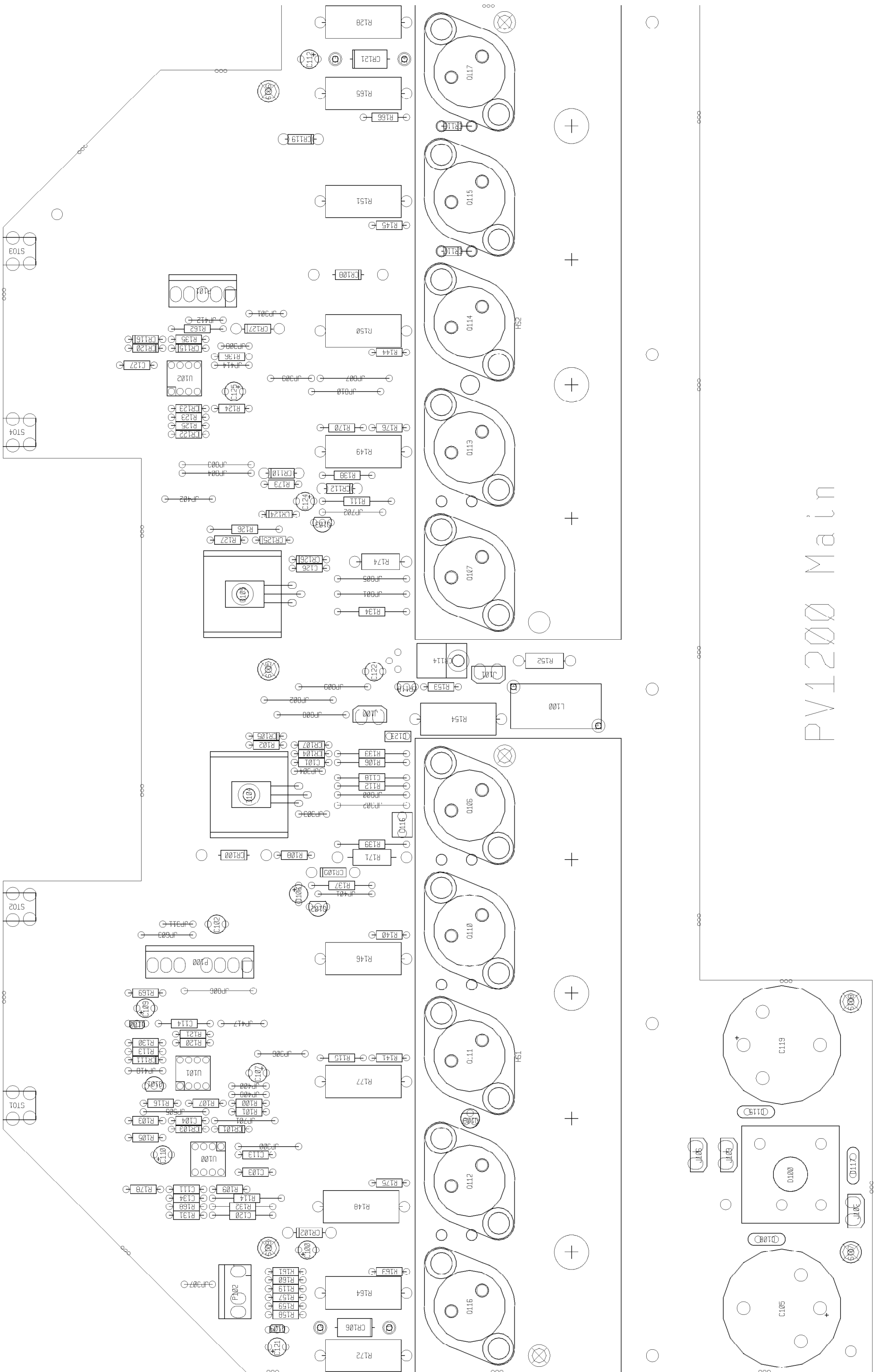


LAST USED: Q115, R178, C131, J105, CR128, U102



PEAVEY ELECTRONICS CORP.	
711 A STREET	
Meridian, Mississippi 39301	
TITLE	PV1200 MAIN BOARD
SIZE	CODE NUMBER 98852450
REV	B
DATE	15-JUL-96
SHEET 1 OF 1	



PV1200 Main

BILL OF MATERIALS REPORT

BOARD NAME: PV12K MAIN      REPORT DATE: 22DEC97  
 ASSEMBLY LEVEL NUMBER: 99352452 PROJECT NUMBER: P9500212  
 CBDS

PART      PART      DESCRIPTION AND  
 \*\* QTY. NAME    VALUE    NUMBER    DEVICE DESIGNATIONS \*\*\*\*\*  
 \*\*\*\*\*

- 1 98852451 98852451 ECN#1858 PCB
- 3 .01CD .01CD 70320248 .01MF----20%---1000VDC---CD--T&A  
 C108, C115, C117
- 1 .033 .033 70340014 .033MF----10%---50VDC---MON---T&R  
 C118
- 4 .1 .1 70340100 .1MF----+80-20%--50VDC---AXL---T&R  
 C103, C113, C114, C127
- 1 .1SF .1SF 70330113 0.10 MFD 10% 100V STCK FILM T&A  
 C123
- 1 .22SF2 .22SF2 70330114 0.22 MF 5% 100V STCK FILM t&a  
 C116
- 8 .33W5 .33W5 70250003 .33--5W--10%--WW--AXL  
 R146, R148, R149, R150, R151, R164,  
 R165, R177
- 1 .8MH .8MH 70519917 .8MH AIR CORE COIL / CS1200  
 L100
- 2 1.82KP1 1.82KP1 70241078 1.82K-1/4W--1%----CF--T&R  
 R109, R131
- 1 100 100 70240010 100---1/4W--5%---CF--T&R  
 R116
- 2 100K 100K 70240034 100K--1/4W--5%---CF--T&R  
 R108, R126
- 2 100P1 100P1 70241075 100---1/4W--1%----MF--AXL  
 R173, R178
- 5 10K 10K 70240025 10K---1/4W--5%---CF--T&R  
 R100, R101, R107, R120, R121
- 2 10PF 10PF 70340050 10PF-----5%-----T/C----T&R  
 C111, C120
- 1 10R50L 10R50L 70320185 10MF-----20%---50VDC---LL--T&A  
 C125
- 1 12.1KP1 12.1KP1 70241052 12.1K-1/4W--1%----MF--T&R

R157

2 12K 12K 70240057 12K---1/4W--5%---CF--T&R

R137, R138

1 13080 13080 70413080 LM3080N CUSTOM SELECTED

U101

2 13886 13886 70413886 SZ-13886-2 DUAL DIODE

CR113, CR117

1 1740 1740 70401740 2SC1740SLN 40V, .1A, NPN, LOW NOISE T&A

Q100

1 180FP 180FP 70240099 180 OHM FLAME PROOF RESISTOR

R139

1 180PF 180PF 70340056 180PF-----10%----50VDC----T/C----T&R

C134

5 187SOW 70900924 70900924 SPACER, .187 R,(#4),.187 SWAGE ALUM.

STO5, STO6, STO7, STO8, STO9

2 1K 1K 70240017 1K----1/4W--5%---CF--T&R

R123, R125

1 1KP1 1KP1 70241077 1K----1/4W--1%---CF--T&R

R158

1 1M 1M 70240039 1M----1/4W--5%---CF--T&R

R113

4 1N4003 1N4003 70464003 1N4003 200V SILICON DIODE

CR100, CR108, CR110, CR127

12 1N4148 4148 70464148 1N4148 75V 10MA SILICON DIODE

CR101, CR103, CR105, CR107, CR111,  
CR115, CR116, CR120, CR122, CR123,  
CR124, CR125

4 1N4744 4744 70440102 SZG40102 15V 5% ZENER DIODE

CR102, CR109, CR112, CR119

2 1SS142 1SS142 70400142 1ss142 250v SILICON DIODE

CR104, CR126

1 2.2K 2.2K 70240020 2.2K--1/4W--5%---CF--T&R

R161

3 2.2R50 2.2R50 70320180 2.2MF-----20%----50VDC---EL--T&A

C106, C109, C124

2 2.2R50NP 2.2R50NP 70320184 2.2MF-----20%----50VDC---NP--T&A

C102, C122

2 2.7K 2.7K 70240021 2.7K--1/4W--5%---CF--T&R  
R124, R136

1 22K 22K 70240029 22K---1/4W--5%---CF--T&R  
R105

5 22R50 22R50 70320181 22MF-----20%---50VDC---EL--T&A  
C100, C107, C110, C112, C121

3 22W1 22W1 70210001 22----1W----5%---MO--T&R  
R152, R171, R174

1 240K 240K 70241094 240K--1/4W--5%---CF--T&R  
R119

1 2504W 2504W 70402504 BR. RECT, 400V, 25A, WIRE LEADS  
D100

1 27PF 27PF 70340066 27PF-----10%---50VDC---T/C---T&R  
C104

4 33K 33K 70240030 33K---1/4W--5%---CF--T&R  
R103, R106, R111, R135

1 390 390 70240060 390---1/4W--5%---CF--T&R  
R112

2 39PF 39PF 70340052 39PF-----50VDC---T/C---T&R  
C101, C126

2 4.7FP 4.7FP 70240094 4.7FP-1/4W--10%---FP--T&R  
R133, R134

3 4.7K 4.7K 70240023 4.7K--1/4W--5%---CF--T&R  
R102, R127, R168

2 4560 4560 70414560 4560 DUAL OP AMP IC  
U100, U102

1 47 47 70240008 47----1/4W--5%---CF--T&R  
R162

2 470 470 70240015 470---1/4W--5%---CF--T&R  
R115, R170

3 47K 47K 70240031 47K---1/4W--5%---CF--T&R  
R130, R153, R169

2 4KW5 4KW5 70250050 4K--5W--10%--WW--AXL  
R128, R172

1 5.6W5 5.6W5 70250026 5.6--5W--10%--WW--AXL  
 R154

1 6018HS 6018 70406018 SJE-6018 225V,50MA,CASE-77 NPN  
 Q104

1 6019HS 6019 70406019 SJE-6019 225V,50MA,CASE-77,PNP  
 Q105

2 61.9KP1 61.9KP1 70241030 61.9--1/4W--1%---MF--T&R  
 R114, R132

1 6531 6531 70466531 MPS-6531 TO92 NPN TRANS. T&A  
 Q102

1 6531HI 6531 70406531 MPS-6531 TO92 NPN TRANS.  
 Q108

1 6533 6534 70466533 MPS-6533/34 TO-92 PNP TRANS T&A  
 Q103

1 71180A 71180 70471180 SJ-71180 PNP 1A 180V TO-3  
 Q107

1 715P1 715P1 70240087 715 OHM 1% 1/4W MF T&R  
 R159

4 73180A 73180 70473180 SJ-73180, 3 AMP, 100V, METRIC TO-3, PNP TRANS  
 Q113, Q114, Q115, Q117

2 7500R100 7500R100 70320250 7500MF----20%----100VDC---EL  
 C105, C119

9 8.2K 8.2K 70240049 8.2K--1/4W--5%---CF--T&R  
 R140, R141, R144, R145, R160, R163,  
 R166, R175, R176

1 81180A 81180 70481180 SJ-81180 NPN 1A 180V TO-3  
 Q106

4 83180A 83180 70483180 SJ-83180, NPN, 3 AMP, 100V, METRIC TO-3 TRANS  
 Q110, Q111, Q112, Q116

1 933 933 70400933 2SA933ASLN 40V, .1A, PNP, LOW NOISE T&A  
 Q109

4 CLIP1785 70901785 70901785 screw term, 6-32 - pcb mnt.  
 STO1, STO2, STO3, STO4

6 EYE090 73700219 73700219 EYELET .090-DRILL-HOLE .068-EYELET-HOLE  
 I1, I2, I3, I4, I5, I6

2 HS1139 98001139 98001139 PV9.0C HEATSINK PLATE

HS1, HS2

1 J174 J174 70460174 J-174 30V TO-92 P-CHAN FET T&A

Q101

10 J325 J 70600005 22GA JUMPER WIRES T&R

JP300, JP301, JP302, JP303, JP304,  
JP306, JP307, JP308, JP309,  
JP311,

8 J4 J 70600005 22GA JUMPER WIRES T&R

JP400, JP401, JP402,  
JP408,  
JP412, JP414,  
JP417, JP418,

1 J5 J 70600005 22GA JUMPER WIRES T&R

JP505,

1 J6 J 70600005 22GA JUMPER WIRES T&R

JP603,

2 J7 J 70600005 22GA JUMPER WIRES T&R

JP701, JP702,

11 J8 J 70600005 22GA JUMPER WIRES T&R

JP800, JP801, JP802, JP803, JP804,  
JP805, JP806, JP807, JP808, JP809,  
JP810,

2 MR502 MR502 70400502 MR502/1N5402 200V, 3A SILICON DIODE

CR106, CR121

1 SAC187 SAC187 70400187 SAC187 200V TO220 TRIAC

CR114

1 SBS14 SBS14 70460014 SBS14 8V TO-92 BI-DIRECTIONAL SWITCH T&A

CR118

5 SPD 73716194 73716194 .250 PC MNT SPADE .093 PCB

J100, J101, J102, J103, J106

1 SPX4K2 SPX4K2 XXXXXXXXX 3 EACH OF STAKE PINS

P102

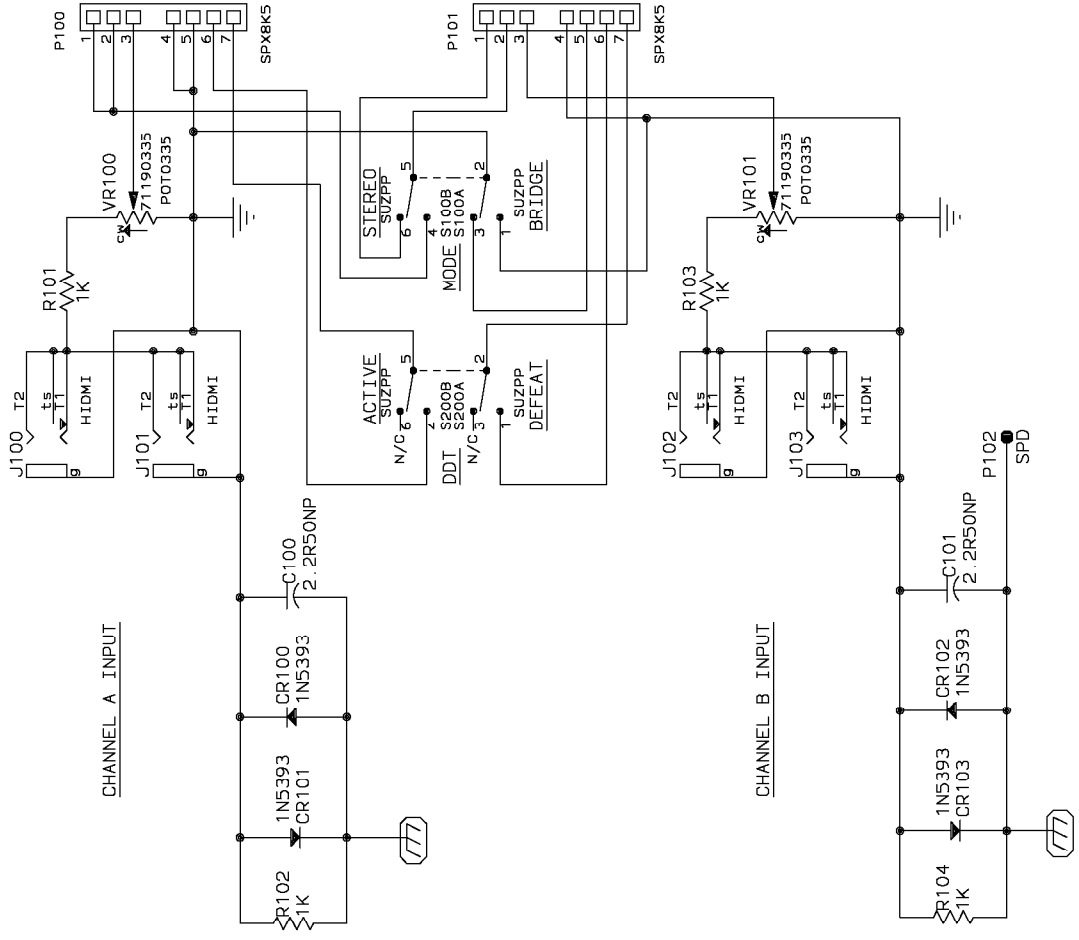
1 SPX5U SPX5U 73717003 5 EACH OF STAKE PINS

P101

1 SPX8K5 SPX8K5 XXXXXXXXX 7 EACH OF STAKE PINS 73717003 KEY AT PIN 5

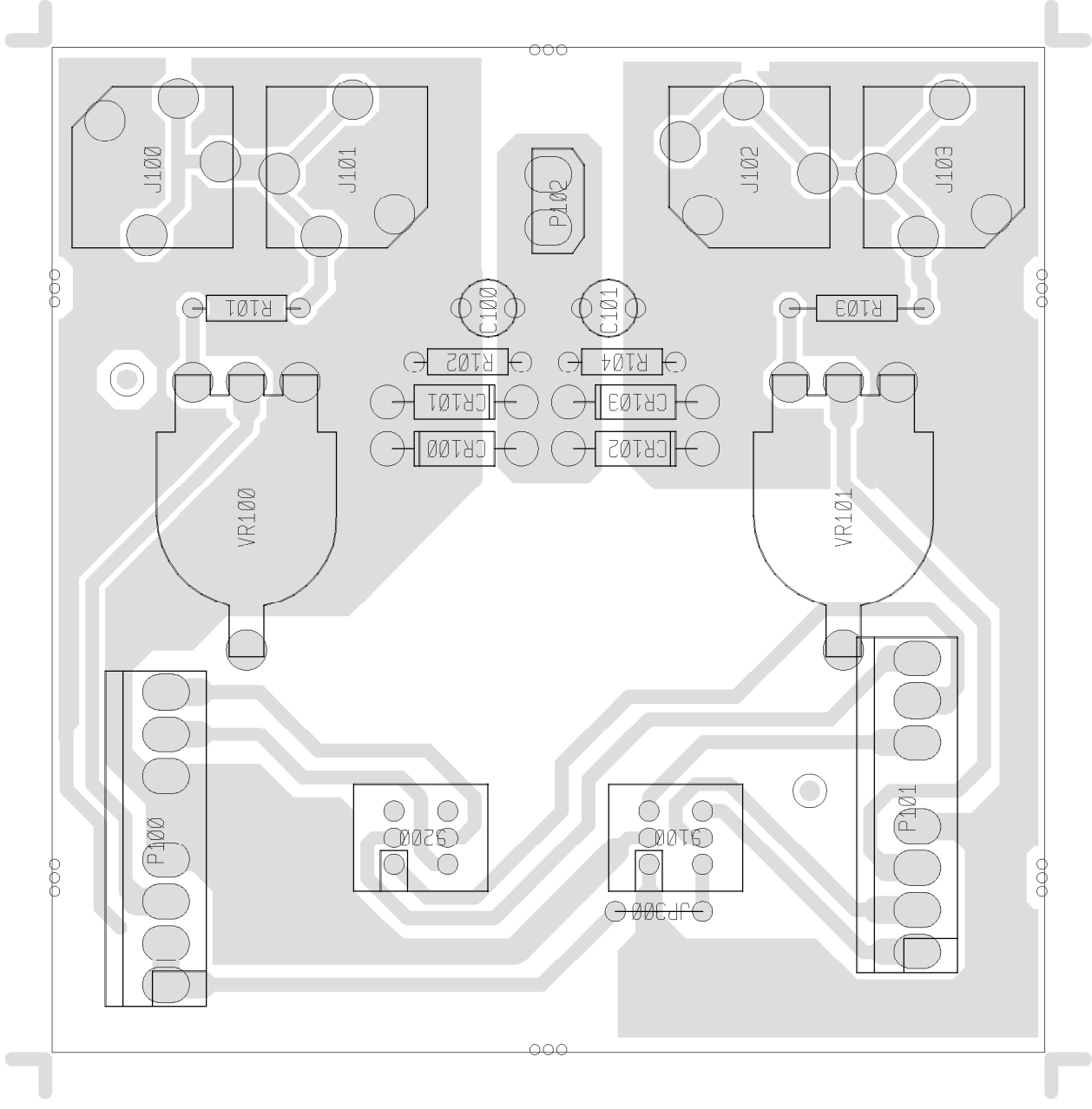
P100

\*\*\*\*\*  
\* END OF BILL OF MATERIALS REPORT \*  
\*\*\*\*\*



PEAVEY ELECTRONICS CORP. 711 A STREET MERIDIAN, MISSISSIPPI 39301	
TITLE PV1200 INPUT BOARD	
SIZE B	CODE NUMBER 98852460
PRINT DATE	REV A
5-AUG-96	SHEET 1 OF 2





PV1200 Input

BILL OF MATERIALS REPORT

BOARD NAME: PV1200 INPUT REPORT DATE: 17JUN97

ASSEMBLY LEVEL NUMBER: 99352460

PROJECT NUMBER: P9500212

CBDS

PART PART DESCRIPTION AND

\*\* QTY. NAME VALUE NUMBER DEVICE DESIGNATIONS \*\*\*\*\*  
\*\*\*\*\*

1 98852460 98852460 98852460 PCB

4 1K 1K 70240017 1K----1/4W--5%---CF--T&R  
R101, R102, R103, R104

4 1N5393 5393 70465393 1N5393-RL 200V, 1.5, 5% DIODE -T&R  
CR100, CR101, CR102, CR103

2 2.2R50NP 2.2R50NP 70320184 2.2MF-----20%---50VDC---NP--T&A  
C100, C101

4 HIDMI 71466215 71466215 2 TIP HID JACK INSU W/SPD  
J100, J101, J102, J103

1 J325 J 70600005 22GA JUMPER WIRES T&R  
JP300,

2 POT0335 71190335 71190335 50K LIN METRIC SPIDER 1MM  
VR100, VR101

1 SPD 73716194 73716194 .250 PC MNT SPADE .093 PCB  
P102

2 SPX8K5 SPX8K5 XXXXXXXX 7 EACH OF STAKE PINS 73717003 KEY AT PIN 5  
P100, P101

2 SUZPP SUZPP 71322251 SUZ P/P SWITCH PC MOUNT  
S100, S200

\*\*\*\*\*  
\* END OF BILL OF MATERIALS REPORT \*  
\*\*\*\*\*