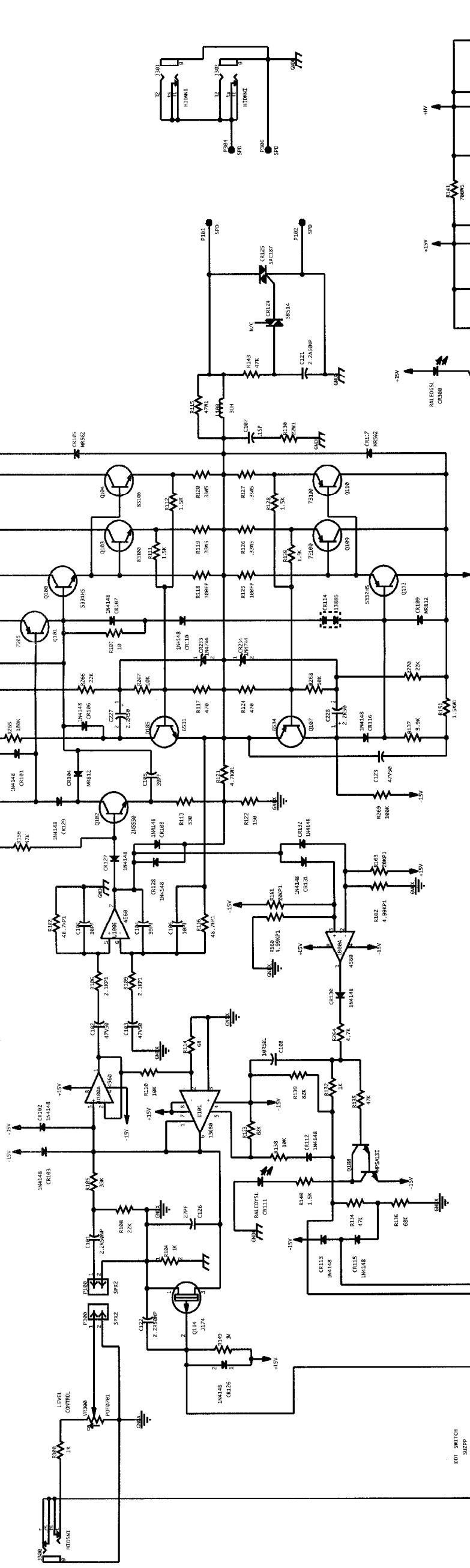
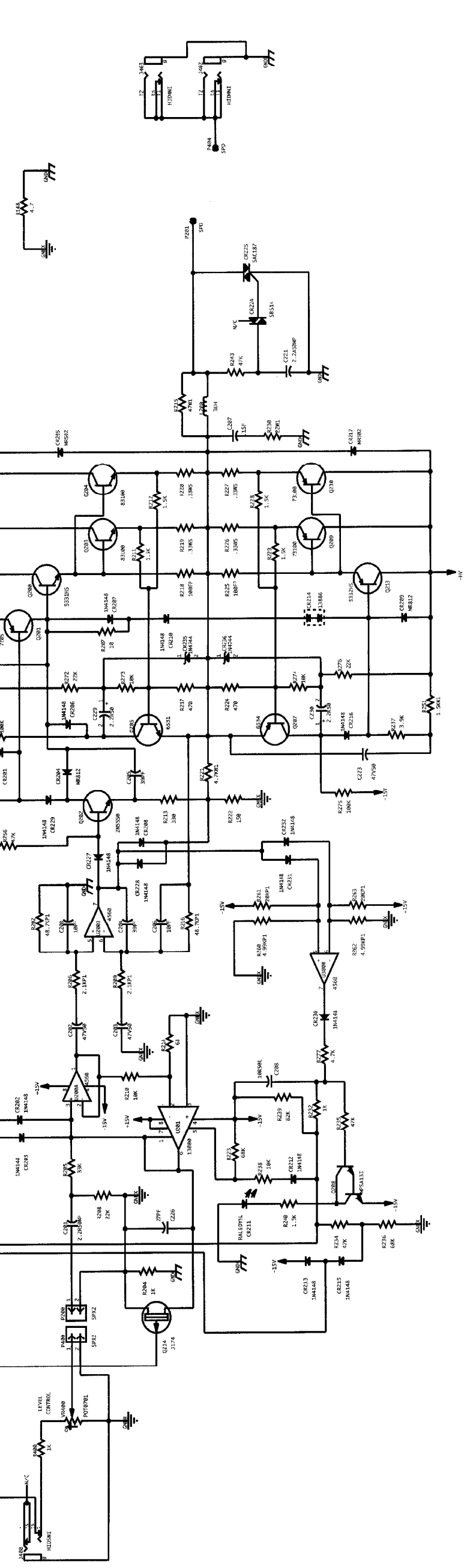


CHANNEL A

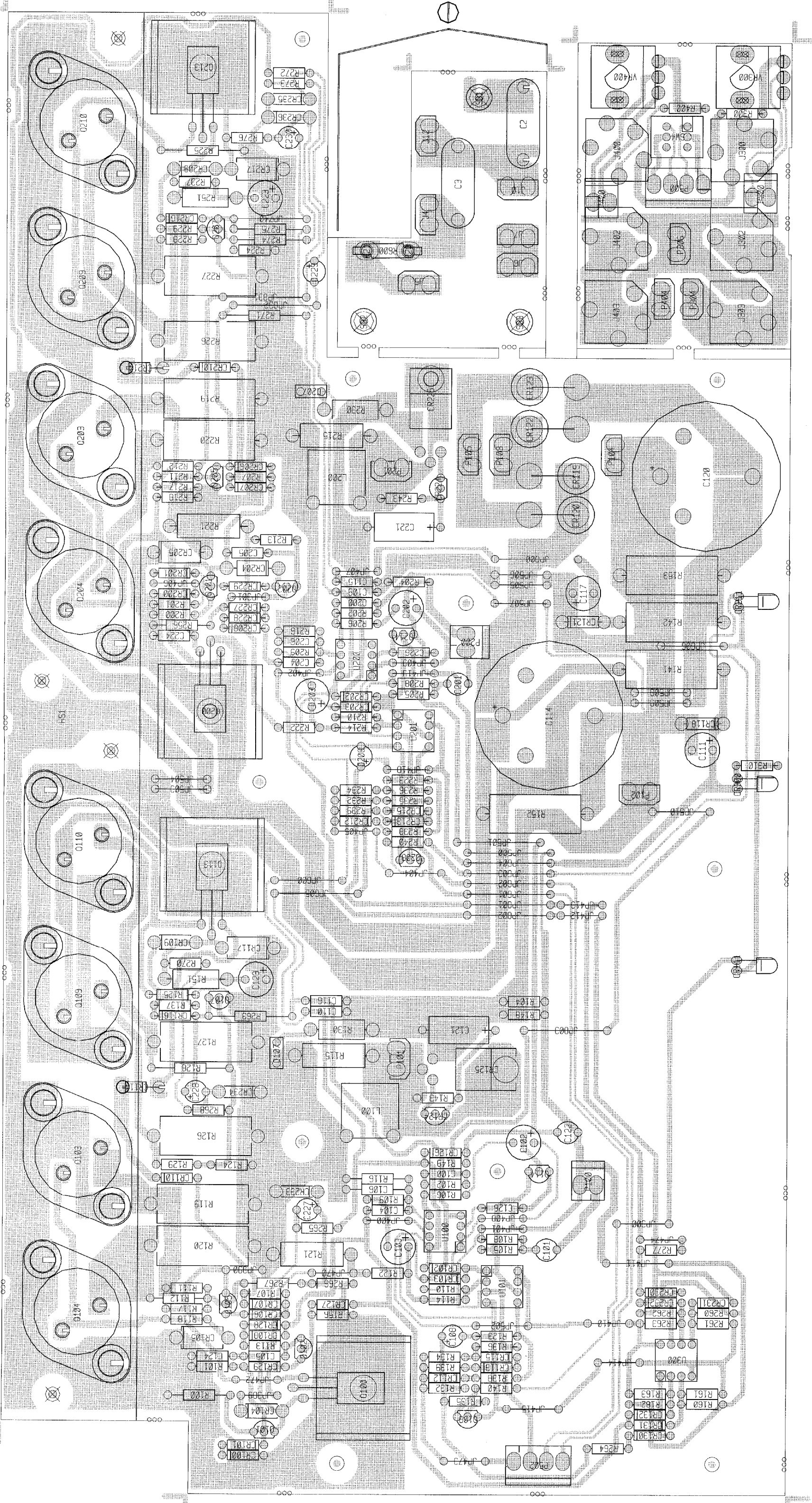


CHANNEL B



NOTICE: THIS CIRCUITRY IS PROTECTED BY U.S. PATENT NO. 4,258,825 ISSUED BY PEAVEY ELECTRONICS CORP. WITHOUT WRITTEN AUTHORITY FROM PEAVEY IS STRICTLY FORBIDDEN AND VIOLATORS WILL BE PROSECUTED TO THE FULLEST EXTENT ALLOWED UNDER U.S. PATENT LAWS.

FILE	DESCRIPTION	DATE	REV
	711 A STREET		A
SIZE	NUMBER		
D	81501609		
REV			
DATE			
BY			
CHKD			
APPD			
DRN			
DES			
ENG			
INT			
LAB			
MAN			
OPER			
TEST			
TRAIN			
WEL			
WIRE			
YIELD			
ASSEMBLY			
INSPECTION			
REWORK			
REPAIR			
DISASSEMBLY			
DISPOSAL			



⊗ For EXPORT version:
 DO NOT INSERT ANY OF THE PARTS ON THE BREAK-AWAY BOARD INDICATED
 (This break-away board is to be discarded)

PV2.6C Drive

QTY	NAME	VALUE	PART	DESCRIPTION AND DEVICE DESIGNATIONS	MR52CD	MR752CD	70400752	70467205	7205	7205	70467205	70467205	47K	47K	70240031	47K-1/4W-5%—CF-T&R
2	MR752CD	MR752CD	70400752	MR752/P600D 200V, 6A SIL DIODE -	MR752CD	MR752CD	70400752	MR752/P600D 200V, 6A SIL DIODE -	1	7205	70467205	70467205	1	47K	70240031	47K-1/4W-5%—CF-T&R
1	SBS14	70460014	70460014	SBS14 8V TO-92 BI-DIRECTIONAL	SBS14	SBS14	70460014	SBS14 8V TO-92 BI-DIRECTIONAL	1	2N5550	70465550	70465550	1	4.99K±1	70241060	4.99K-1/4W-1%—MF-T&R
1	SAC187	70400187	70400187	SAC187 200V TO220 TRIAC	SAC187	SAC187	70400187	SAC187 200V TO220 TRIAC	2	83100	704683100	704683100	1	20K±1	70241040	20K-1/4W-1%—CF-T&R
11	1N4148	4148	704664148	1N4148 75V 10MA SILICON DIODE	1N4148	1N4148	704664148	1N4148 75V 10MA SILICON DIODE	1	6531	70466531	70466531	1	4.99K±1	70241060	4.99K-1/4W-1%—MF-T&R
1	MR812	MR812	70404933	MR812 FAST RECOVERY DIODE	MR812	MR812	70404933	MR812 FAST RECOVERY DIODE	1	6534	70466534	70466534	1	20K±1	70241040	20K-1/4W-1%—MF-T&R
1	MR502	MR502	70400502	MR502/1N5402 200V, 3A SILICON	MR502	MR502	70400502	MR502/1N5402 200V, 3A SILICON	1	MPSA131	704660013	704660013	1	33	70240004	33-1/4W-5%—CF-T&R
3	1N4148	4148	704664148	1N4148 75V 10MA SILICON DIODE	1N4148	1N4148	704664148	1N4148 75V 10MA SILICON DIODE	3	73100	70473100	70473100	1	1K	70240017	1K-1/4W-5%—CF-T&R
1	MR812	MR812	70404933	MR812 FAST RECOVERY DIODE	MR812	MR812	70404933	MR812 FAST RECOVERY DIODE	1	5332HS	70405332	70405332	1	48.7K±1	70241068	48.7K-1/4W-1%—MF-T&R
1	1N4148	4148	704664148	1N4148 75V 10MA SILICON DIODE	1N4148	1N4148	704664148	1N4148 75V 10MA SILICON DIODE	1	J174	70460174	70460174	1	1K	70240017	1K-1/4W-5%—CF-T&R
1	RALEDYSL	RALEDYSL	70450055	LED, T-1, YEL, W/STOPPER LEAD T&A	RALEDYSL	RALEDYSL	70450055	LED, T-1, YEL, W/STOPPER LEAD T&A	1	33	70240004	70240004	1	33K	70240030	33K-1/4W-5%—CF-T&R
2	1N4148	4148	704664148	1N4148 75V 10MA SILICON DIODE	1N4148	1N4148	704664148	1N4148 75V 10MA SILICON DIODE	2	1K	70240017	70240017	1	2.1K±1	70240092	2.1K-1/4W-5%—CF-T&R
1	13886	13886	70413886	SZ-13886-2 DUAL DIODE	13886	13886	70413886	SZ-13886-2 DUAL DIODE	1	48.7K±1	70241068	70241068	1	10	70240003	10-1/4W-5%—CF-T&R
2	1N4148	4148	704664148	1N4148 75V 10MA SILICON DIODE	1N4148	1N4148	704664148	1N4148 75V 10MA SILICON DIODE	2	1K	70240017	70240017	1	22K	70240029	22K-1/4W-5%—CF-T&R
1	MR502	MR502	70400502	MR502/1N5402 200V, 3A SILICON	MR502	MR502	70400502	MR502/1N5402 200V, 3A SILICON	1	33K	70240030	70240030	1	2.1K±1	70240092	2.1K-1/4W-5%—CF-T&R
1	SBS14	SBS14	70460014	SBS14 8V TO-92 BI-DIRECTIONAL	SBS14	SBS14	70460014	SBS14 8V TO-92 BI-DIRECTIONAL	1	1C	70240003	70240003	1	10K	70240025	10K-1/4W-5%—CF-T&R
1	SAC187	SAC187	70400187	SAC187 200V TO220 TRIAC	SAC187	SAC187	70400187	SAC187 200V TO220 TRIAC	1	22K	70240029	70240029	1	330	70240014	330-1/4W-5%—CF-T&R
6	1N4148	4148	704664148	1N4148 75V 10MA SILICON DIODE	1N4148	1N4148	704664148	1N4148 75V 10MA SILICON DIODE	6	2.1K 1/4W MF T&R	70240092	70240092	1	68	70240009	68-1/4W-5%—CF-T&R
4	1N4744	4744	70440102	SZ640102 15V 5% ZENER DIODE	1N4744	1N4744	70440102	SZ640102 15V 5% ZENER DIODE	4	47W1	70210011	70210011	1	47W1	70210011	47-1W-5%—MO-T&R
1	RALEDYSL	RALEDYSL	70450054	LED, T-1, GRN, W/STOPPER LEAD T&A	RALEDYSL	RALEDYSL	70450054	LED, T-1, GRN, W/STOPPER LEAD T&A	1	1.5K	70240018	70240018	1	48.7K±1	70241068	48.7K-1/4W-1%—MF-T&R
1	HS3002	HS3002	9803002	L-BAR HEATSINK 1400EG/240SC	HS3002	HS3002	9803002	L-BAR HEATSINK 1400EG/240SC	1	330	70240014	70240014	1	470	70240015	470-1/4W-5%—CF-T&R
6	SPD	73716194	73716194	.250 PC MNT SPADE .093 PCB	SPD	SPD	73716194	.250 PC MNT SPADE .093 PCB	6	68	70240009	70240009	1	100FP	70240096	100FP-1/4W-5%—FF-T&R
1	HIDSMI	71466217	71466217	STEREO HID JACK NINS W/SPD	HIDSMI	HIDSMI	71466217	STEREO HID JACK NINS W/SPD	1	47W1	70210011	70210011	2	.33W5	70250003	.33-5W-10%—MW-AXL
2	HIDSMI	71466214	71466214	2 TIP HID JACK NINS W/SPD	HIDSMI	HIDSMI	71466214	2 TIP HID JACK NINS W/SPD	2	48.7K±1	70241068	70241068	1	4.7K±1	70210006	4700-1W-5%—MO-T&R
2	HIDSMI	71466214	71466214	2 TIP HID JACK NINS W/SPD	HIDSMI	HIDSMI	71466214	2 TIP HID JACK NINS W/SPD	2	470	70240015	70240015	1	150	70240001	150-1/4W-5%—CF-T&R
2	3UH	3UH	70519939	3 UHY INDUCTOR	3UH	3UH	70519939	3 UHY INDUCTOR	2	.33W5	70250003	70250003	2	.33W5	70250003	.33-5W-10%—MW-AXL
2	MMP	MMP	73711812	R93-12 FN C.B. MALE MOLEX PIN	MMP	MMP	73711812	R93-12 FN C.B. MALE MOLEX PIN	2	4.7K±1	70210006	70210006	1	100FP	70240096	100FP-1/4W-5%—FF-T&R
1	SPK2	SPK2	XXXXXXX	2 EACH OF STAKE PINS	SPK2	SPK2	XXXXXXX	2 EACH OF STAKE PINS	1	150	70240001	70240001	2	.33W5	70250003	.33-5W-10%—MW-AXL
5	SPD	73716194	73716194	.250 PC MNT SPADE .093 PCB	SPD	SPD	73716194	.250 PC MNT SPADE .093 PCB	5	68K	70240032	70240032	2	1.5K	70240018	1.5K-1/4W-5%—CF-T&R
1	SPK2	SPK2	XXXXXXX	2 EACH OF STAKE PINS	SPK2	SPK2	XXXXXXX	2 EACH OF STAKE PINS	1	470	70240015	70240015	1	22W1	70210001	22-1W-5%—MO-T&R
1	SPD	73716194	73716194	.250 PC MNT SPADE .093 PCB	SPD	SPD	73716194	.250 PC MNT SPADE .093 PCB	1	100FP	70240096	70240096	1	1K	70240017	1K-1/4W-5%—CF-T&R
1	SPK2	SPK2	XXXXXXX	4 EACH OF STAKE PINS	SPK2	SPK2	XXXXXXX	4 EACH OF STAKE PINS	2	.33W5	70250003	70250003	2	47K	70240031	47K-1/4W-5%—CF-T&R
2	SPD	73716194	73716194	.250 PC MNT SPADE .093 PCB	SPD	SPD	73716194	.250 PC MNT SPADE .093 PCB	2	1.5K	70240018	70240018	1	68K	70240032	68K-1/4W-5%—CF-T&R
1	SPK2	SPK2	XXXXXXX	2 EACH OF STAKE PINS	SPK2	SPK2	XXXXXXX	2 EACH OF STAKE PINS	1	22W1	70210001	70210001	1	3.9K	70241093	3.9K-1/4W-5%—CF-T&R
2	SPK4	SPK4	XXXXXXX	4 EACH OF STAKE PINS	SPK4	SPK4	XXXXXXX	4 EACH OF STAKE PINS	2	47K	70240031	70240031	1	10K	70240025	10K-1/4W-5%—CF-T&R
1	5331HS	5331	70405331	SDS-5331 CASE-77 NPN W/ HEATSINK	5331HS	5331	70405331	SDS-5331 CASE-77 NPN W/ HEATSINK	1	68K	70240032	70240032	1	1.5K	70240018	1.5K-1/4W-5%—CF-T&R
1	7205	7205	70467205	SDS-7205 CASE306 PNP T&A	7205	7205	70467205	SDS-7205 CASE306 PNP T&A	1	3.9K	70241093	70241093	1	47K	70240031	47K-1/4W-5%—CF-T&R
1	2N5550	2N5550	70465550	2N5550 TO-92 NPN TRANS T&A	2N5550	2N5550	70465550	2N5550 TO-92 NPN TRANS T&A	1	10K	70240025	70240025	1	10K	70240025	10K-1/4W-5%—CF-T&R
2	83100	83100	70483100	SZ-83100 NPN, 3 AMP, 100V, METRIC	83100	83100	70483100	SZ-83100 NPN, 3 AMP, 100V, METRIC	2	82K	70240033	70240033	1	82K	70240033	82K-1/4W-5%—CF-T&R
1	6531	6531	70466531	SDS-5331 TO-92 NPN TRANS. T&A	6531	6531	70466531	SDS-5331 TO-92 NPN TRANS. T&A	1	1.5K	70240018	70240018	1	1.5K	70240031	1.5K-1/4W-5%—CF-T&R
1	6534	6534	70466534	SDS-7205 CASE306 PNP T&A	6534	6534	70466534	SDS-7205 CASE306 PNP T&A	1	1.5K	70240018	70240018	1	1.5K±1	70210007	1.5K-1W-5%—MO-T&R
1	MPSA131	A13	704660013	MPS-6533/34 TO-92 PNP TRANS T&A	MPSA131	A13	704660013	MPS-6533/34 TO-92 PNP TRANS T&A	2	700W5	70250061	70250061	1	47K	70240031	47K-1/4W-5%—CF-T&R
2	73100	73100	70473100	SZ-73100, 3 AMP, 100V, METRIC TO-	73100	73100	70473100	SZ-73100, 3 AMP, 100V, METRIC TO-	2	4.7	70240002	70240002	1	20K±1	70241060	20K-1/4W-1%—MF-T&R
1	5332HS	5332	70405332	SZ640102 15V 5% ZENER DIODE	5332HS	5332	70405332	SZ640102 15V 5% ZENER DIODE	1	1K	70240039	70240039	1	4.7K	70240023	4.7K-1/4W-5%—CF-T&R
1	J174	J174	70460174	J-174 30V TO-92 P-CHAN FET T&A	J174	J174	70460174	J-174 30V TO-92 P-CHAN FET T&A	1	1.5K±1	70210007	70210007	1	100K	70240034	100K-1/4W-5%—CF-T&R
1	5331HS	5331	70405331	SZ640102 15V 5% ZENER DIODE	5331HS	5331	70405331	SZ640102 15V 5% ZENER DIODE	2	2.3W5	70250063	70250063	1	22K	70240029	22K-1/4W-5%—CF-T&R
1	1N4744	4744	70440102	SZ640102 15V 5% ZENER DIODE	1N4744	1N4744	70440102	SZ640102 15V 5% ZENER DIODE	1	5331	70466531	70466531	1	22K	70240029	22K-1/4W-5%—CF-T&R

2	6.8K	6.8K	70240024	6.8K-1/4W-5%—CF-T&R R267, R268
1	100K	100K	70240034	100K-1/4W-5%—CF-T&R R269
1	22K	22K	70240029	22K-1/4W-5%—CF-T&R R270
1	100K	100K	70240034	100K-1/4W-5%—CF-T&R R271
1	22K	22K	70240029	22K-1/4W-5%—CF-T&R R272
2	6.8K	6.8K	70240024	6.8K-1/4W-5%—CF-T&R R273, R274
1	100K	100K	70240034	100K-1/4W 5% CF T&R R275
1	22K	22K	70240029	22K-1/4W-5%—CF-T&R R276
1	4.7K	4.7K	70240023	4.7K-1/4W-5%—CF-T&R R277
1	1K	1K	70240017	1K-1/4W-5%—CF-T&R R300
1	1.5K	1.5K	70240018	1.5K-1/4W-5%—CF-T&R R310
1	1K	1K	70240017	1K-1/4W-5%—CF-T&R R400
1	CL30	CL30	70240202	INRUSH CURRENT LIMITER R600
3	250STW	70901856	70901856	SPCR, 1/4, R(#4), .187 SW, AT, S01, S02, S03
1	SUZPP	SUZPP	71322251	SUZ P/P SWITCH PC MOUNT SW4
1	4560	4560	70414560	4560 DUAL OP AMP IC U100
1	13080	13080	70413080	LM3080N CUSTOM SELECTED U101
1	4560	4560	70414560	4560 DUAL OP AMP IC U200
1	13080	13080	70413080	LM3080N CUSTOM SELECTED U201
1	4560	4560	70414560	4560 DUAL OP AMP IC U300
2	POT0701	71190701	71190701	50KB 12MM HPC ROTARY POT W/DTT VR300, VR400

1 2 3 4 5 6 7 8

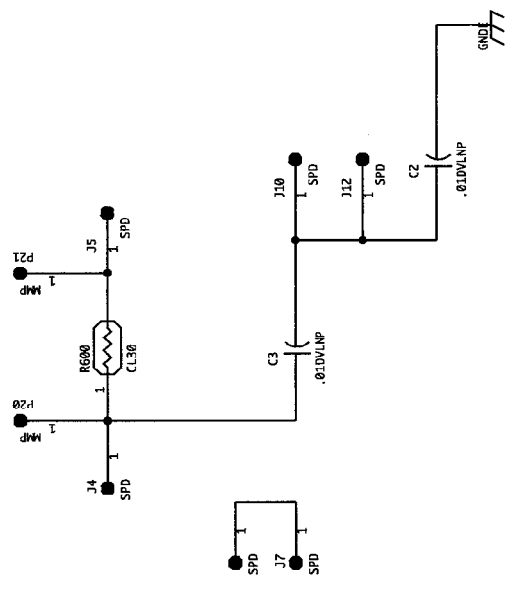
D D

C C

B B

A A

NOTICE: THIS CIRCUITRY IS
 PROTECTED BY U.S. PATENT NO.
 4,318,053 OWNED BY PEAVEY
 ELECTRONICS CORP. USE
 OR COPYING WITHOUT EXPRESS
 WRITTEN AUTHORITY FROM PEAVEY
 IS STRICTLY FORBIDDEN AND
 VIOLATORS WILL BE PROSECUTED
 TO THE FULLEST EXTENT ALLOWED
 UNDER U.S. PATENT LAWS.



NOTE: THIS IS A BASE SCHEMATIC FOR TWO
 ASSEMBLIES OF BASE BOARD # 98852362.
 SEE BOARD LAYOUTS FOR ASSEMBLY DIFFERENCES.

PEAVEY ELECTRONICS CORP. 711 A STREET MERIDIAN, MISSISSIPPI 39301	
TITLE PVZ. 6C DRIVE BD.	
SIZE B	CODE NUMBER 98852362
PRINT	REV A
DATE 26-JUL-95	#81501609
SHEET 2 OF 2	