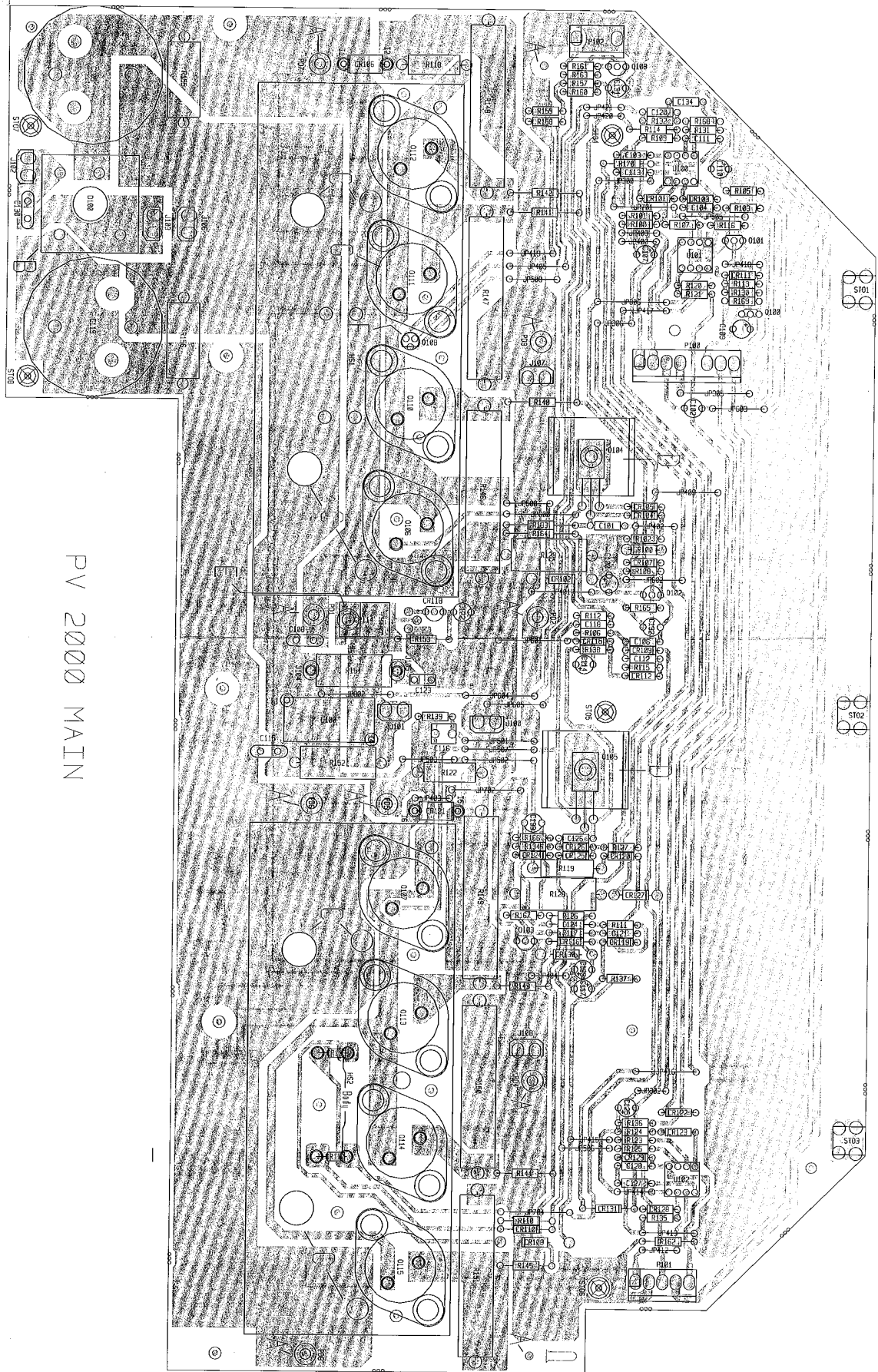
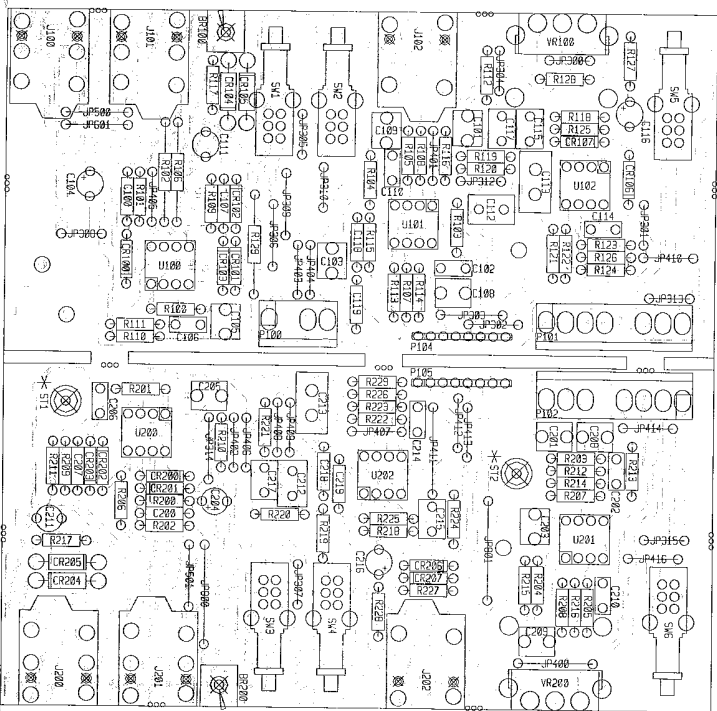
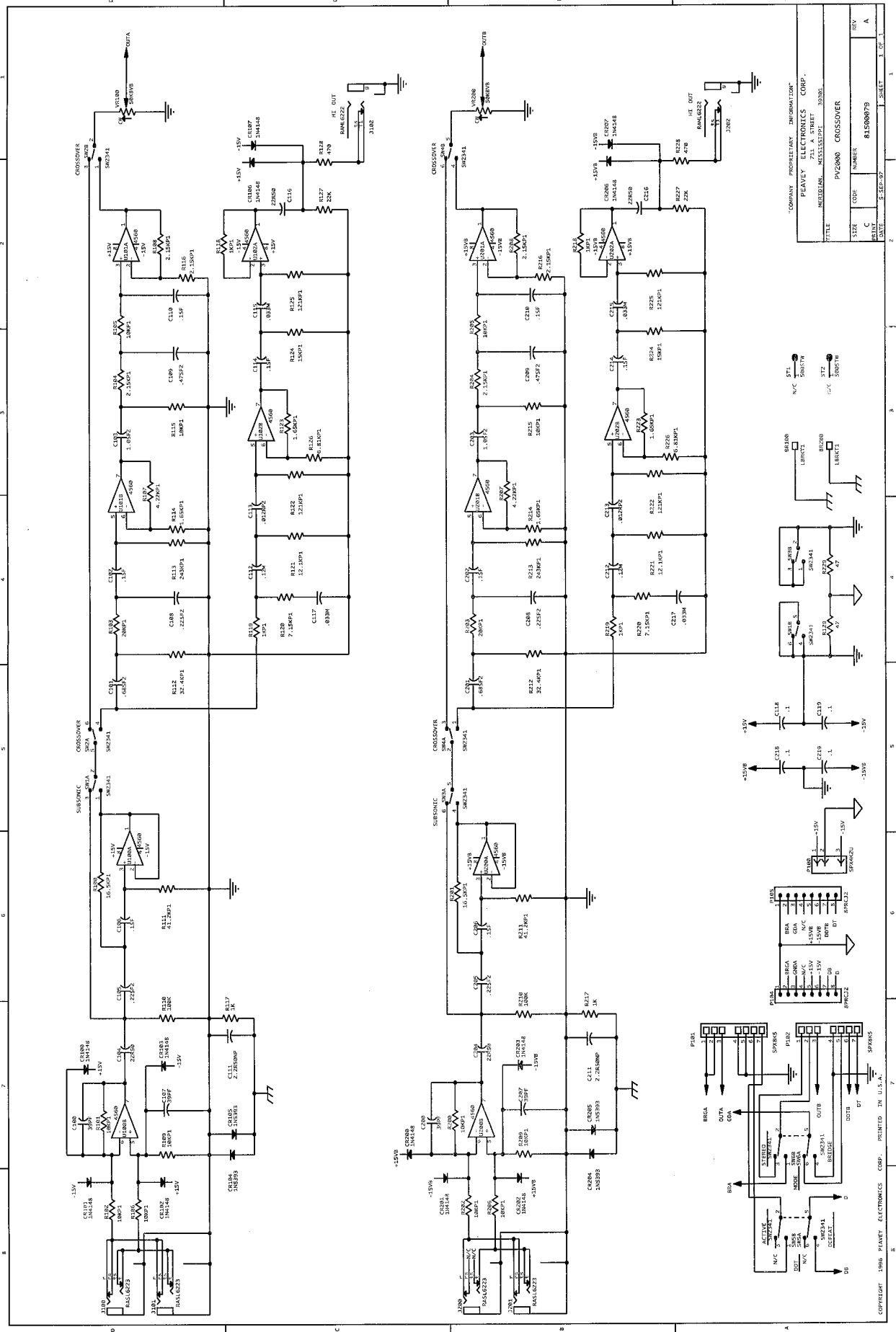


PV 2000 MAIN

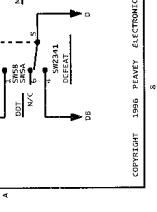
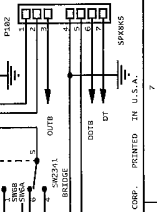
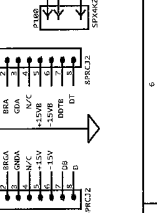
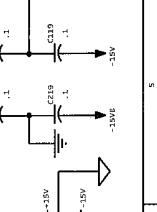
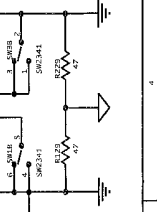
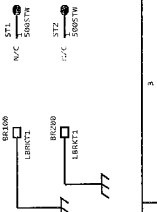


PV2K CROSSOVER

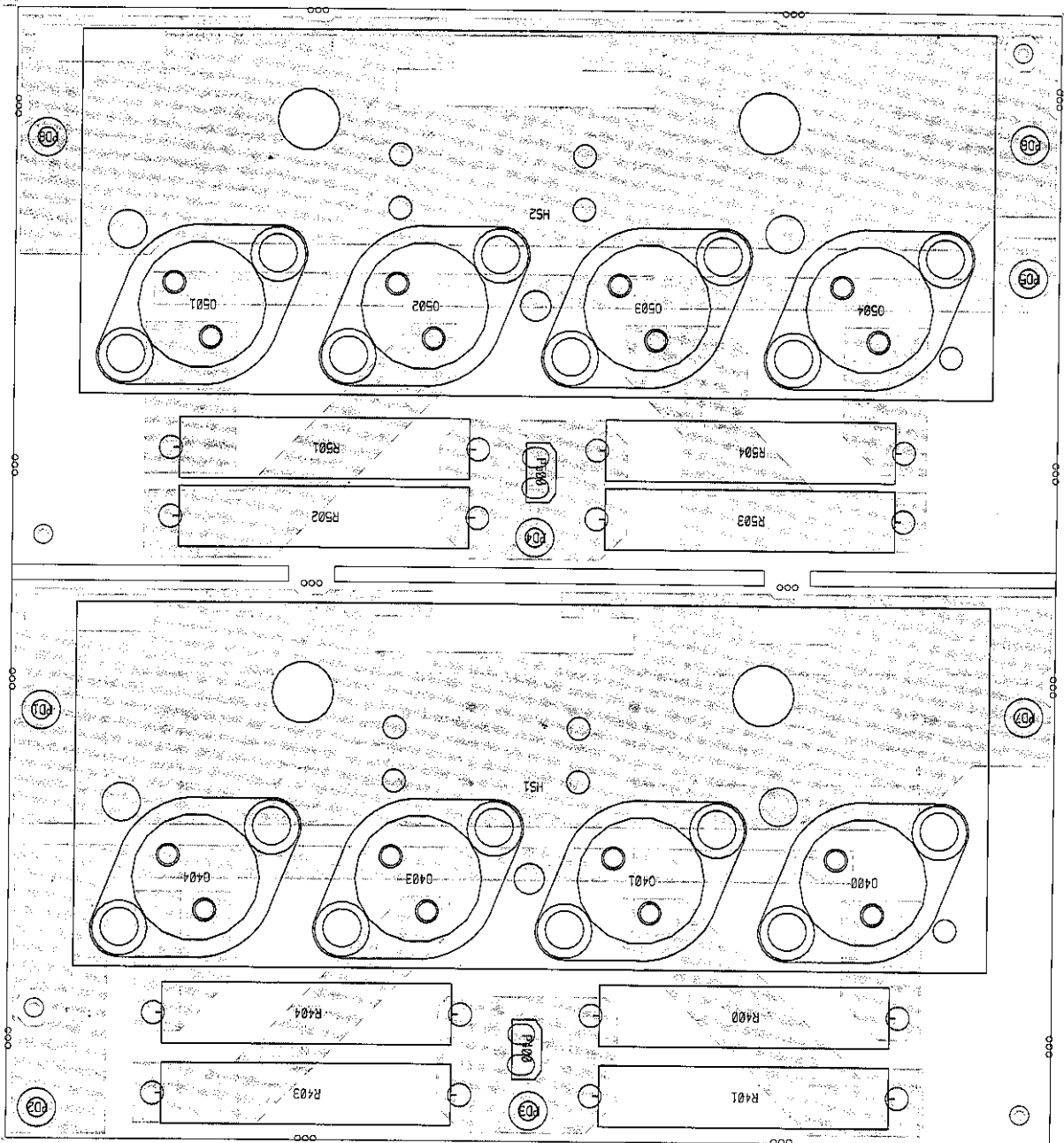




COMPANY PROPRIETARY INFORMATION	
PEAVEY ELECTRONICS CORP.	
RESEARCH DEPARTMENT	
TITLE PVS2000 CROSSOVER	
REV. A	DATE 1-82
SIZE C	NUMBER 81590079
PRINT	SCALE 2:500



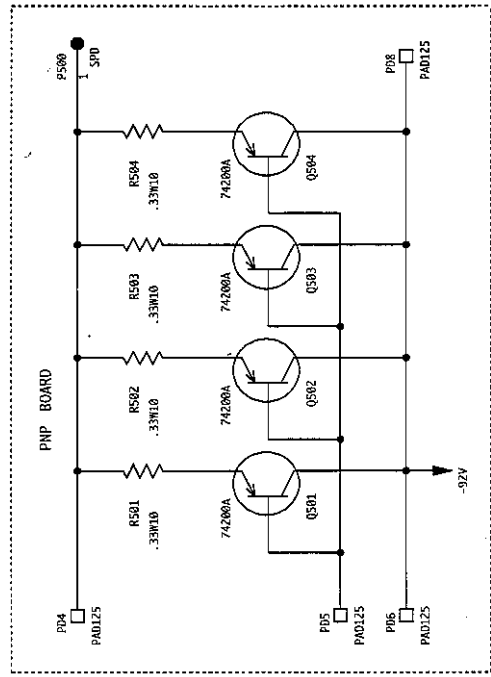
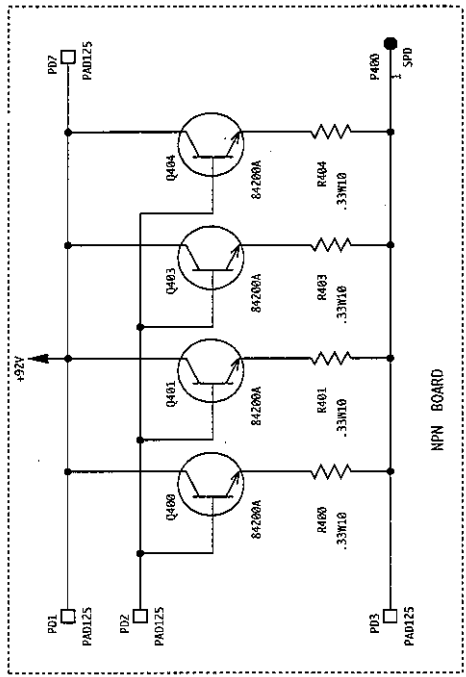
Copyright 1986 Peavey Electronics Corp. Printed in U.S.A.



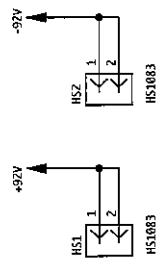
PV2K Output

BOARD NAME: PV2K OUTPUT				
** QTY.	NAME	VALUE	PART NUMBER	DESCRIPTION AND DEVICE DESIGNATIONS
2	HS1083	98001083	98001083	P1.4K HEATSINK PLATE HS1, HS2
16	J2	J	70600004	22GA JUMPER WIRES T&A JP200, JP201, JP202, JP203, JP204, JP205, JP206, JP207, JP208, JP209, JP210, JP211, JP212, JP213, JP214, JP215
2	SPD	73716194	73716194	.250 PC MNT SPADE .093 PCB P400, P500
8	PAD125	XXXXXXXX	XXXXXXXX	XXXXXXXX PD1, PD2, PD3, PD4, PD5, PD6, PD7, PD8
4	84200A	84200	70484200	SJ-84200, NPN, 4 AMP, 200V, METRIC TO-3 TRANS. Q400, Q401, Q403, Q404
4	74200A	74200	70474200	SJ-74200, 4 AMP, 200V, METRIC TO-3 PNP Q501, Q502, Q503, Q504
8	.33W10	.33W10	70250011	.33-10W-10% -4W-AXL R400, R401, R403, R404, R501, R502, R503, R504

1 2 3 4 5 6 7 8

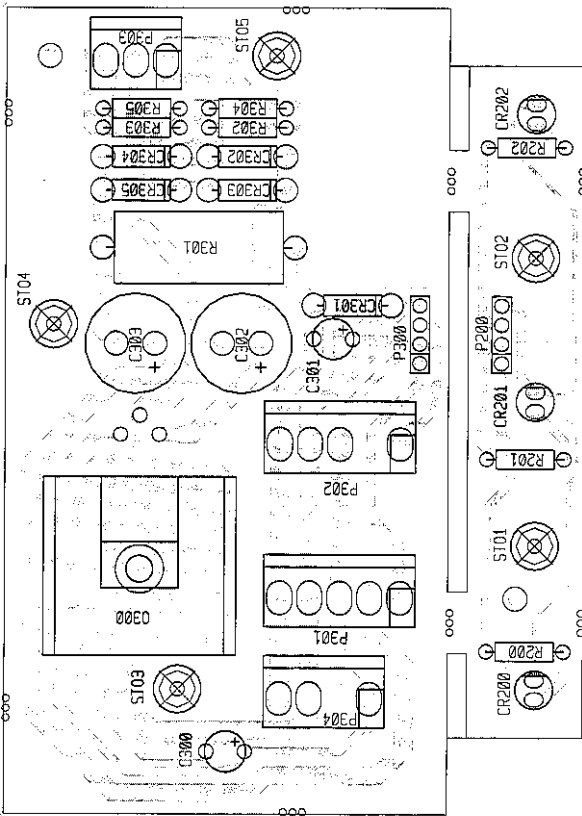


NOTICE: THIS CIRCUITRY IS PROTECTED BY U.S. PATENT NOS. 4,318,053 RE.33,333 4,724,396 AND 4,982,751. FOREIGN #'S 699556 357 78 538.1 64356 6,172,737 158,213 2,009,775 173,212 49567 8,386,933 P 690 11 559,4-98 (PATENTS PENDING) OWNED BY PEAVEY ELECTRONICS CORP. USE OR COPYING WITHOUT EXPRESS WRITTEN AUTHORITY FROM PEAVEY IS STRICTLY FORBIDDEN AND VIOLATORS WILL BE PROSECUTED TO THE FULLEST EXTENT ALLOWED UNDER U.S. PATENT LAWS.



PEAVEY ELECTRONICS CORP. 711 A STREET MERIDIAN, MISSISSIPPI 39301			
TITLE PVZ000 OUTPUT BD.			
SIZE B	CODE NUMBER	REV 81500079	REV A
DATE 16-MAY-97	SHEET 1	OF 1	

BOARD NAME: PV2K LOW VOLT



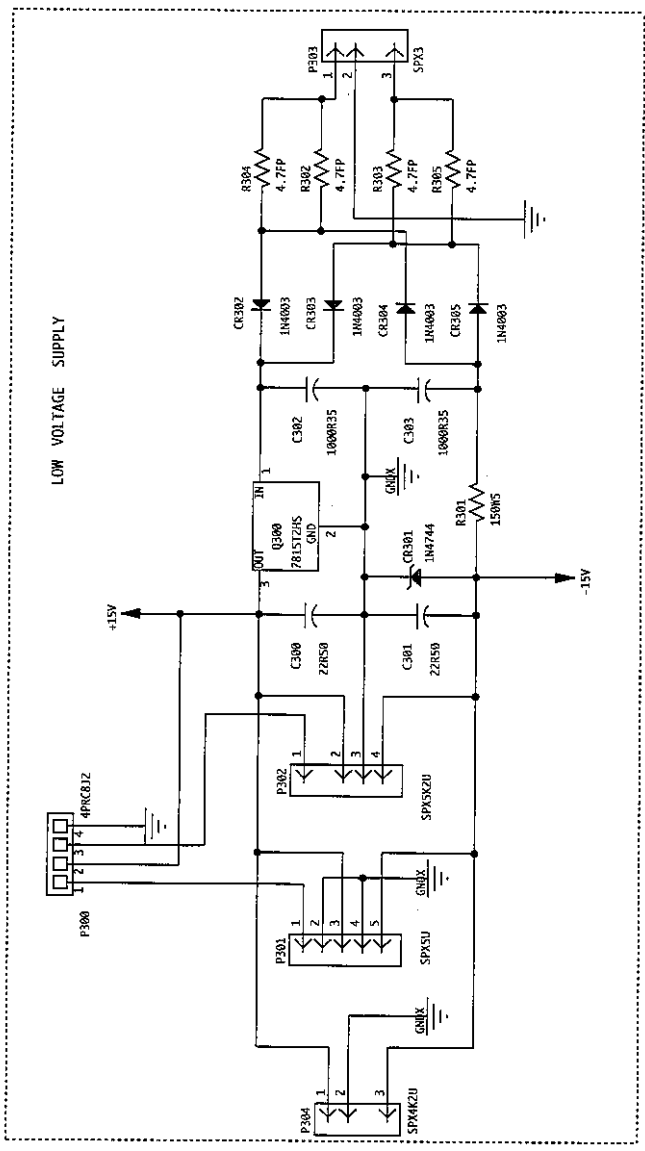
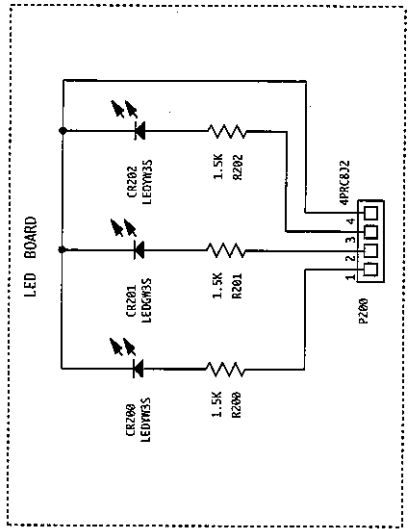
PV 2K Low Voltage

QTY.	PART NAME	VALUE	PART NUMBER	DESCRIPTION AND DEVICE DESIGNATIONS
2	22R50	22R50	70320181	22MF-20%-50VDC-EL-T&A
2	1000R35	1000R35	70320186	C300, C301
1	LEDYWS	LEDYWS	70450047	1000MF-20%-35VDC-EL-T&A
1	LEDGWS	LEDGWS	70450046	C302, C303
1	LEDYWS	LEDYWS	70450047	YELLOW T-1 LED W/ .300" SPACER T&A
1	LEDGWS	LEDGWS	70450046	CR200
1	LEDYWS	LEDYWS	70450047	GREEN T-1 LED W/ .300" SPACER T&A
1	LEDYWS	LEDYWS	70450047	YELLOW T-1 LED W/ .300" SPACER T&A
1	1N4744	4744	70440102	CR202
4	1N4003	1N4003	70464003	SZG40102 15V 5% ZENER DIODE
16	J2	J	70600004	CR301
2	4PRC8J2	4PRC8J2	70600055	1N4003 200V SILICON DIODE
1	SPX5U	SPX5U	73717003	CR302, CR303, CR304, CR305
1	SPX5K2U	SPX5K2U	73717003	22GA JUMPER WIRES T&A
1	SPX3	SPX3	XXXXSPX3	JP200, JP201, JP202, JP203, JP204, JP205, JP206, JP207, JP208, JP209, JP210, JP211, JP212, JP213, JP214, JP215
1	SPX4K2U	SPX4K2U	XXXXSPX4	4C PRE-TIN .100 CTR 8" JUMPER (SPLIT VERSION)
1	7815T2HS	7815	70400340	P200, P300
3	1.5K	1.5K	70240018	5 EACH OF STAKE PINS
1	150W5	150W5	70250040	P301
4	4.7FP	4.7FP	70240094	4 EACH STAKED PINS
5	375SOW	70900295	70900295	P302

* END OF BILL OF MATERIALS REPORT *

1 2 3 4 5 6 7 8

LAST USED: P304, C303, A305, CR305



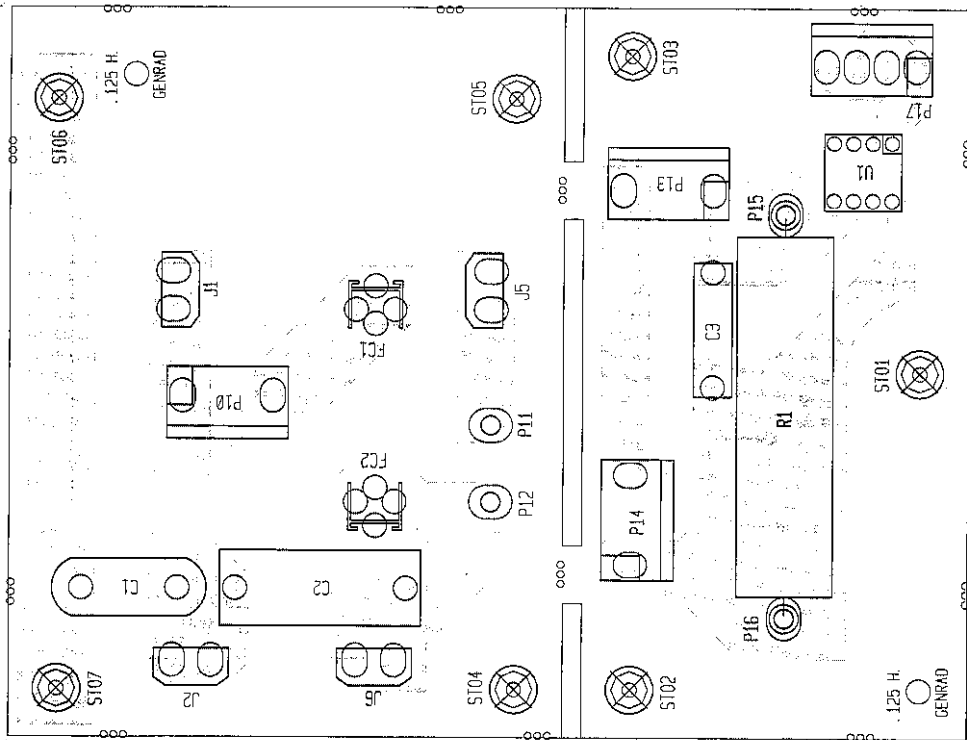
NOTICE: THIS CIRCUITRY IS PROTECTED BY U.S. PATENT NOS. 4,318,053 RE.33,333 4,724,396 AND 4,992,751. FOREIGN #'S 64356 0,172,737 158,213 2,089,775 173,212 49567 0,386,933 P 690 11 550,4-08 (PATENT'S PENDING) OWNED BY PEAVEY ELECTRONICS CORP. USE OR COPYING WITHOUT EXPRESS WRITTEN AUTHORITY FROM PEAVEY IS STRICTLY FORBIDDEN AND VIOLATORS WILL BE PROSECUTED TO THE FULLEST EXTENT ALLOWED UNDER U.S. PATENT LAWS.

PEAVEY ELECTRONICS CORP.	
711 A STREET MERCIDIAN, MISSISSIPPI 39301	
TITLE PV2000 LOW VOLT BOARD	
SIZE B	CODE NUMBER
PRINT DATE	REV A
16-MAY-97	81500079
2	1 OF 1

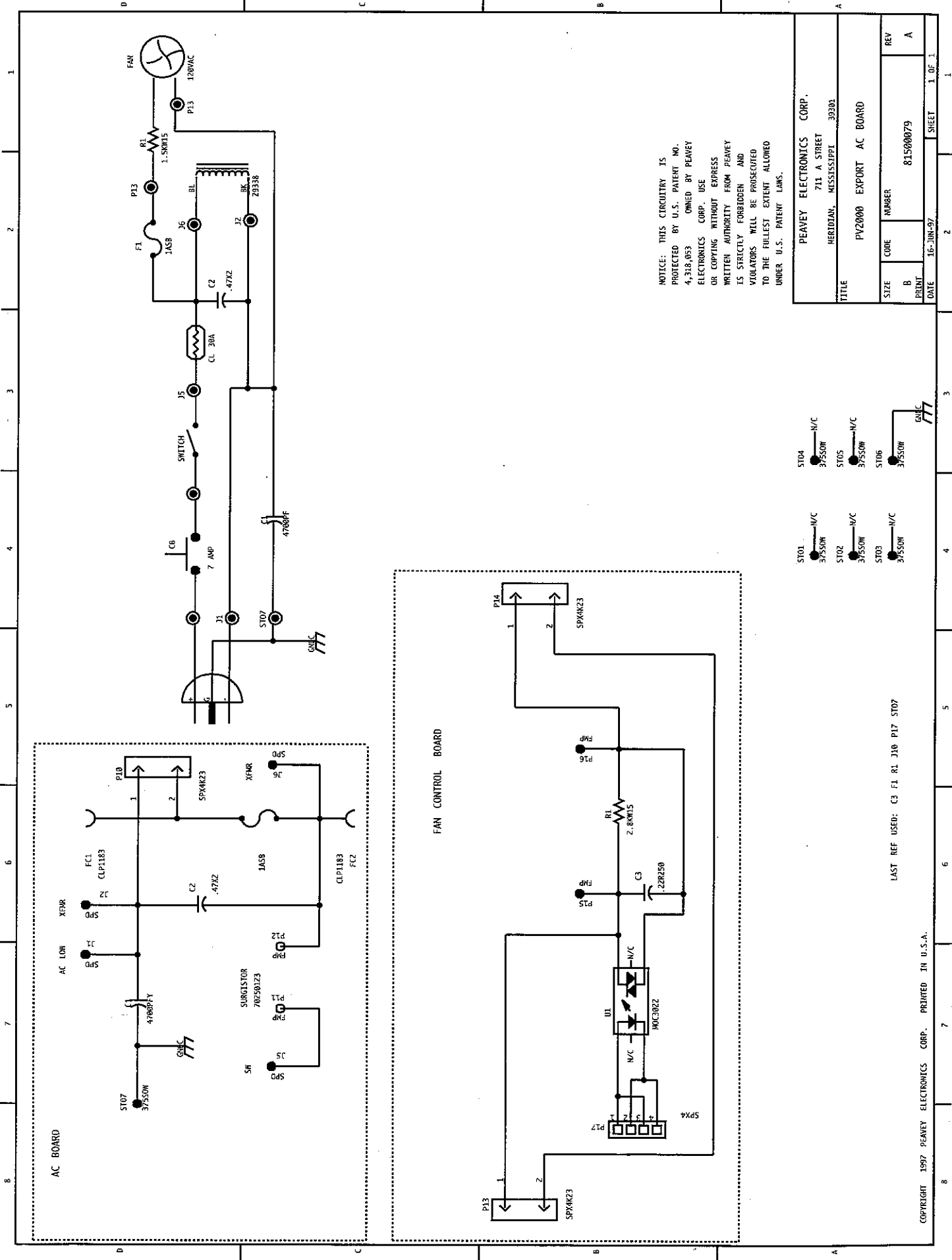
- ST01 ● N/C 37550W
- ST02 ● N/C 37550W
- ST03 ● N/C 37550W
- ST04 ● N/C
- ST05 ● N/C 37550W

BOARD NAME: PV2.0K 230V

QTY.	NAME	VALUE	PART NUMBER	DESCRIPTION AND DEVICE DESIGNATIONS
1	4700PFY	4700PFY	70320125	4700PF, 400VAC EXP LINE CAP Y
1	.47X2	.47X2	70320271	.47MF-20%-275VAC-MP-R/W
1	.22R250	.22R250	70320129	.22MFD 10% 250V MY R/W
2	CLF1183	CLF1183	70901183	FUSECLIP, FC MT - T&A
4	SPD	73716194	73716194	.250 PC MNT SPADE .093 PCB
1	SPX4K23	SPX4K23	73717003	J1, J2, J5, J6 2 EACH OF STAKE PINS
2	FMP	FMP	73711811	M118-171 C.B. FEMALE MOLEX PIN
2	SPX4K23	SPX4K23	73717003	P11, P12 2 EACH OF STAKE PINS
2	FMP	FMP	73711811	P13, P14 M118-171 C.B. FEMALE MOLEX PIN
1	SPX4	SPX4	XXXXXXX	P15, P16 4 EACH OF STAKE PINS
1	2.8KW15	2.8KW15	70250082	P17 2800 15W 10% WW AXL
7	375S06	70900285	70900285	R1 SPACER, 3/8.R(#4),.187 SWAGE ALUM.
1	MOC3022	70400635	70400635	ST01, ST02, ST03, ST04, ST05, ST06, ST07 MOC635A OPTO COUPLER/ISO

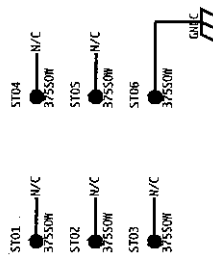


PV2.0K EXPORT AC/FAN



NOTICE: THIS CIRCUITRY IS PROTECTED BY U.S. PATENT NO. 4,318,063 OWNED BY PEAVEY ELECTRONICS CORP. USE OR COPYING WITHOUT EXPRESS WRITTEN AUTHORITY FROM PEAVEY IS STRICTLY FORBIDDEN AND VIOLATORS WILL BE PROSECUTED TO THE FULLEST EXTENT ALLOWED UNDER U.S. PATENT LAWS.

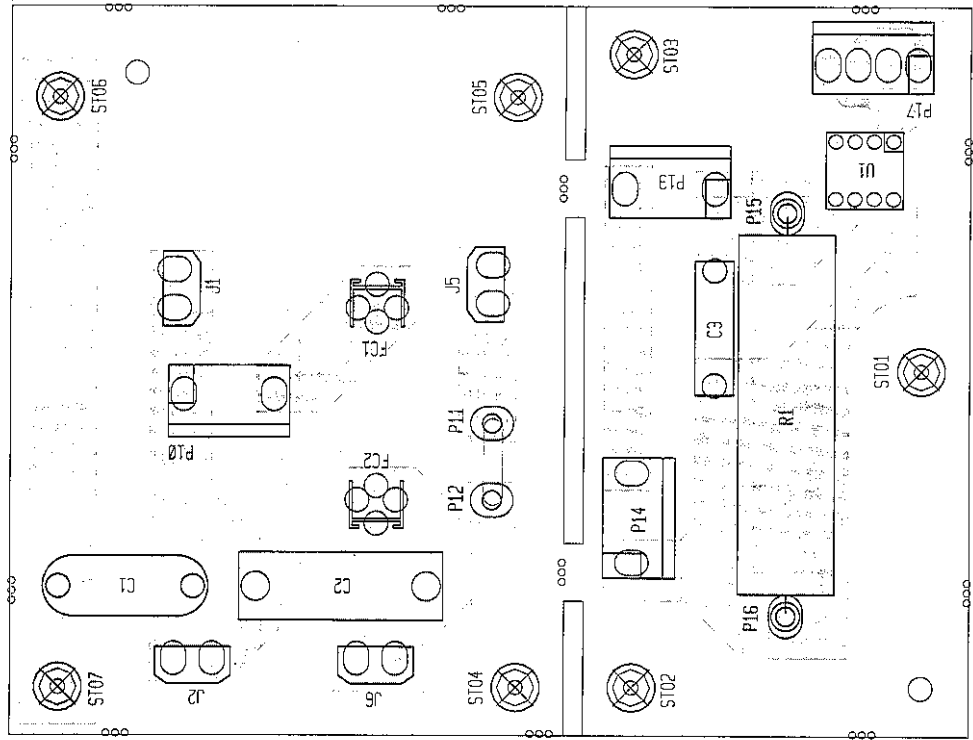
PEAVEY ELECTRONICS CORP. 711 A STREET HERIDIAN, MISSISSIPPI 39301	
TITLE PV2000 EXPORT AC BOARD	
SIZE B	CODE NUMBER 81500079
REV A	REV A
DATE 16-JUN-97	SHEET 1 OF 1



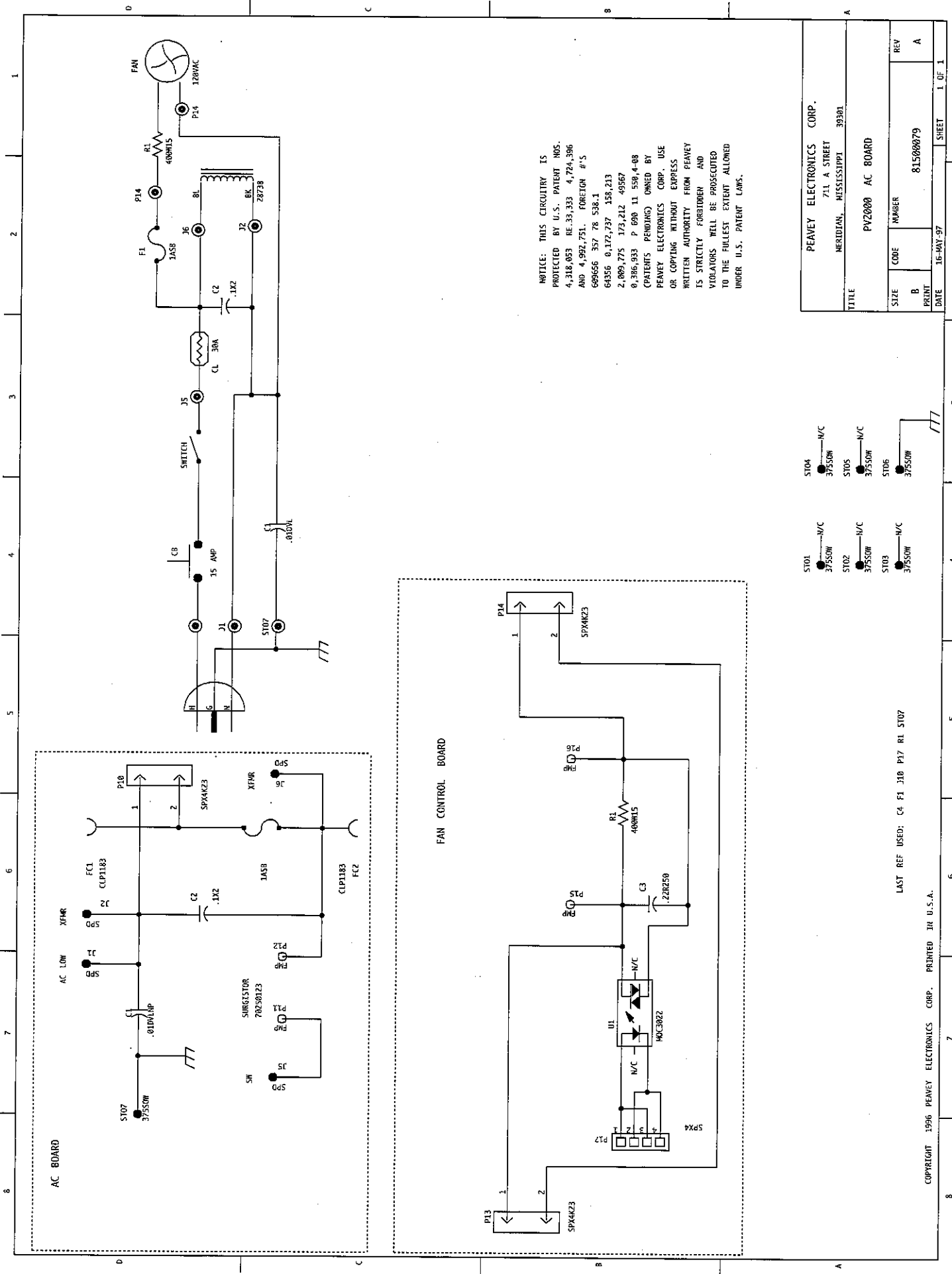
LAST REF USED- C3 F1 R1 J10 P17 ST07

BOARD NAME: PV2.0K AC BD
 PART NAME VALUE PART NUMBER

QTY.	PART NAME	VALUE	PART NUMBER	DESCRIPTION AND DEVICE DESIGNATIONS
1	.01DVLMP	.01DVLMP	70320104	.01 MFD 125VDC DVL MYLAR +0-20%
1	.1X2	70320298	70320298	.1MF 250VAC X2 20%
1	.22R250	.22R250	70320129	.22MFD 10% 250V HY R/W
2	CLP1183	CLP1183	70901183	FUSECLIP, PC MT - TRA
4	SPD	73716194	73716194	.250 PC MNT SPADE .093 PCB
16	J2	J	70600004	J1, J2, J5, J6
1	SPX4K23	SPX4K23	73717003	22GA JUMPER WIRES TEA
2	FMP	FMP	73711811	JP200,JP201,JP202,JP203,JP204, JP205,JP206,JP207,JP208,JP209, JP210,JP211,JP212,JP213,JP214, JP215
2	SPX4K23	SPX4K23	73717003	2 EACH OF STAKE PINS
2	FMP	FMP	73711811	P10
2	SPX4K23	SPX4K23	73717003	M118-171 C.B.FEMALE MOLEX PIN
2	FMP	FMP	73711811	P11, P12
1	SPX4	SPX4	XXXXXXX	2 EACH OF STAKE PINS
1	400W15	400W15	70250013	P13, P14
7	375SOW	70900295	70900295	M118-171 C.B.FEMALE MOLEX PIN
1	MOC3022	70400635	70400635	P15, P16
				4 EACH OF STAKE PINS
				P17
				R1
				SPACER, 3/8, R (#4), .187 SWAGE ALUM.
				STO1, STO2, STO3, STO4, STO5, STO6, STO7
				MOC635A OPTO COUPLER/ISO
				UI

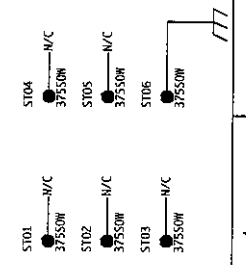


PV2000 DOMESTIC AC



NOTICE: THIS CIRCUITRY IS PROTECTED BY U.S. PATENT NOS. 4,318,053 RE.33,333 4,724,306 AND 4,992,751. FOREIGN # 5 694656 357 78 538.1 64356 8,172,737 138,213 2,009,775 173,212 49567 8,386,933 P 690 11 559,4-08 PATENTS PENDING OWNED BY PEAVEY ELECTRONICS CORP. USE OR COPYING WITHOUT EXPRESS WRITTEN AUTHORITY FROM PEAVEY IS STRICTLY FORBIDDEN AND VIOLATORS WILL BE PROSECUTED TO THE FULLEST EXTENT ALLOWED UNDER U.S. PATENT LAWS.

PEAVEY ELECTRONICS CORP.	
711 A STREET MORNING, MISSISSIPPI 39301	
TITLE PV2000 AC BOARD	
SIZE B	CODE NUMBER
REV A	81508079
PRINT DATE	16-MAY-97
SHEET	1 OF 1

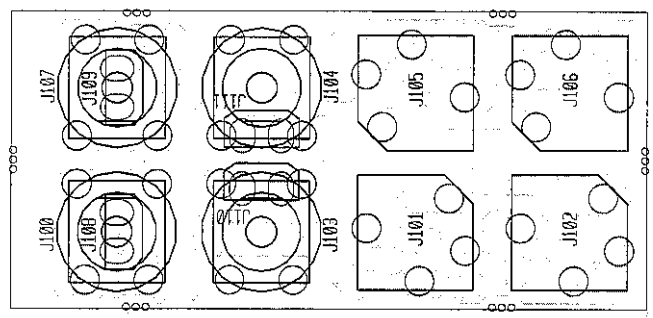


LAST REF USED: C4 F1 J10 P17 R1 ST07

BOARD NAME: PV2K JACK BD.

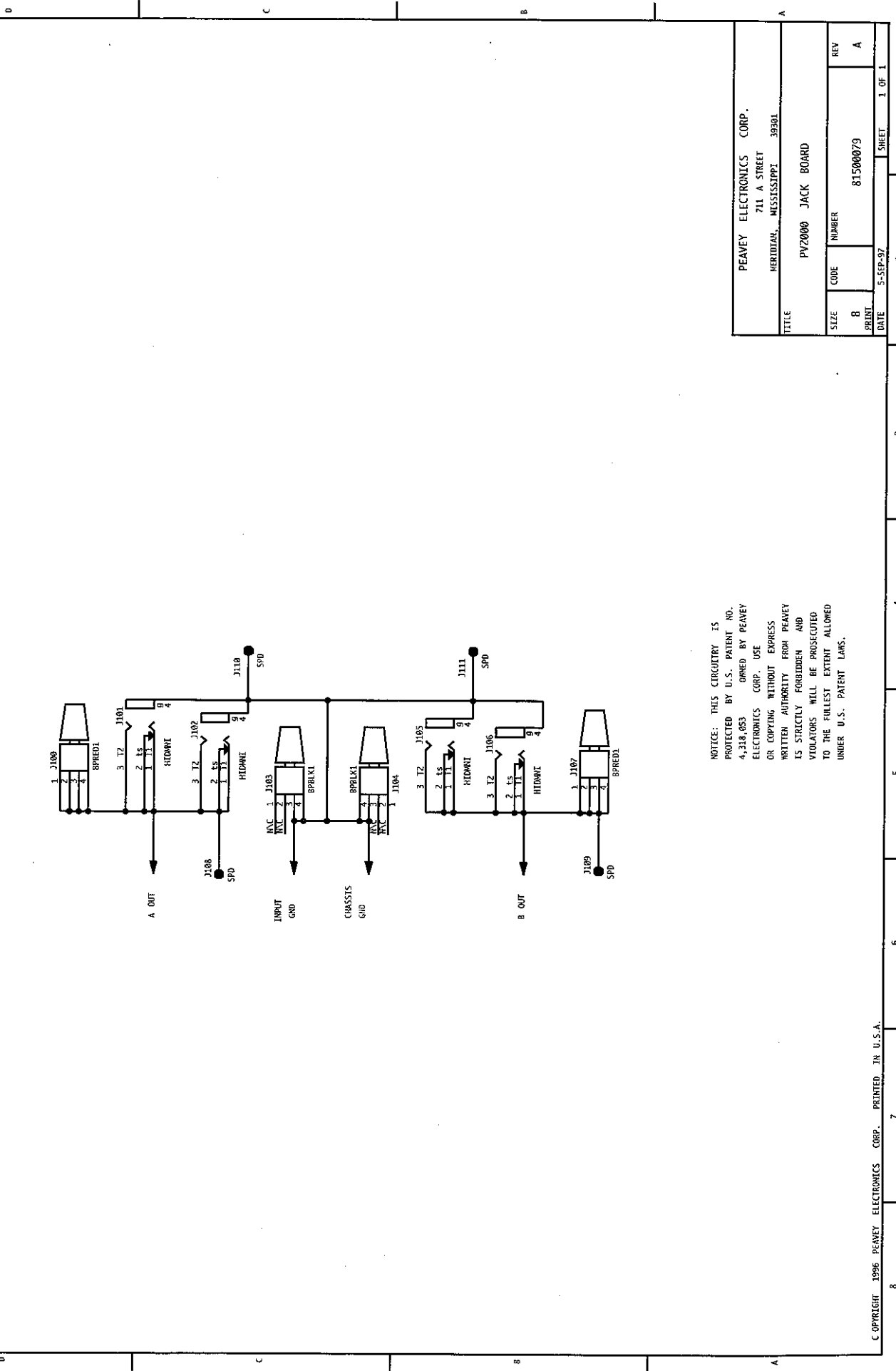
QTY.	NAME	VALUE	NUMBER	PART	DESCRIPTION AND DEVICE DESIGNATIONS
1	BPRED1	71466201	71466201	J100	BINDING POST PC RED-90
2	HIDMNI	71466214	71466214	J101, J102	2 TIP HID JACK NINS W/SPD
2	BPBLK1	71466200	71466200	J103, J104	BINDING POST PC BLK-90
2	HIDMNI	71466214	71466214	J105, J106	2 TIP HID JACK NINS W/SPD
1	BPRED1	71466201	71466201	J107	BINDING POST PC RED-90
4	SPD	73716194	73716194	J108, J109, J110, J111	.250 PC MNT SPADE .093 PCB

* END OF BILL OF MATERIALS REPORT *



PV2000 JACK DOMESTIC

1 2 3 4 5 6 7 8



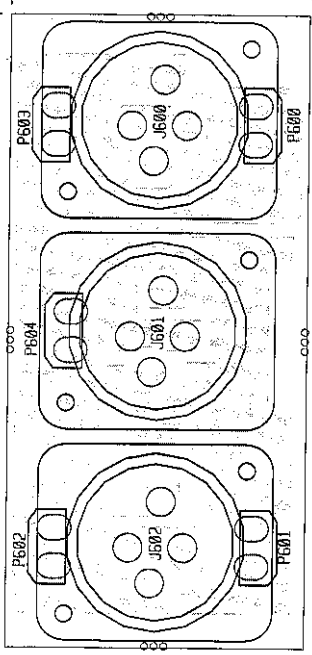
NOTICE: THIS CIRCUITRY IS
 PROTECTED BY U.S. PATENT NO.
 4,314,053 OWNED BY PEAVEY
 ELECTRONICS CORP. USE
 OR COPYING WITHOUT EXPRESS
 WRITTEN AUTHORITY FROM PEAVEY
 IS STRICTLY FORBIDDEN AND
 VIOLATORS WILL BE PROSECUTED
 TO THE FULLEST EXTENT ALLOWED
 UNDER U.S. PATENT LAWS.

PEAVEY ELECTRONICS CORP. 711 A STREET MERIDIAN, MISSISSIPPI 39501			
TITLE PVZ000 JACK BOARD			
SIZE 8	CODE B	NUMBER 81500079	REV A
PRINT DATE	5-SEP-97		SHEET 1 OF 1

BOARD NAME: PV2KEXP JACK
 PROJECT NUMBER: P9500213

QTY.	NAME	VALUE	PART NUMBER	DESCRIPTION AND DEVICE DESIGNATIONS
3	71466258	71466258	71466258	PCB COMM. 4 POLE SPEAKON (NEUTRIK) J600, J601, J602
5	SPD	73716194	73716194	.250 PC MNT SPADE .093 PCB P600, P601, P602, P603, P604

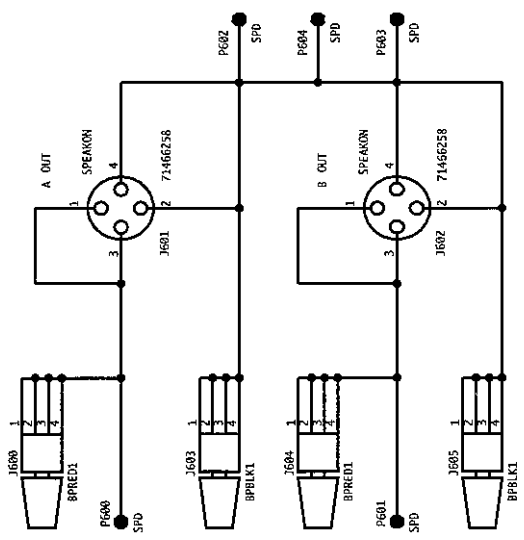
* END OF BILL OF MATERIALS REPORT *



PV 2000 EXP JACK

1 2 3 4 5 6 7 8

D C B A



"COMPANY PROPRIETARY INFORMATION"
 PEAVEY ELECTRONICS CORP.
 711 A STREET
 MERIDIAN, MISSISSIPPI 39301

TITLE		PV EXPORT JACK BD.	
SIZE	CODE	NUMBER	REV
B		81500079	A
DATE	5-SEP-97	SHEET	1 OF 1