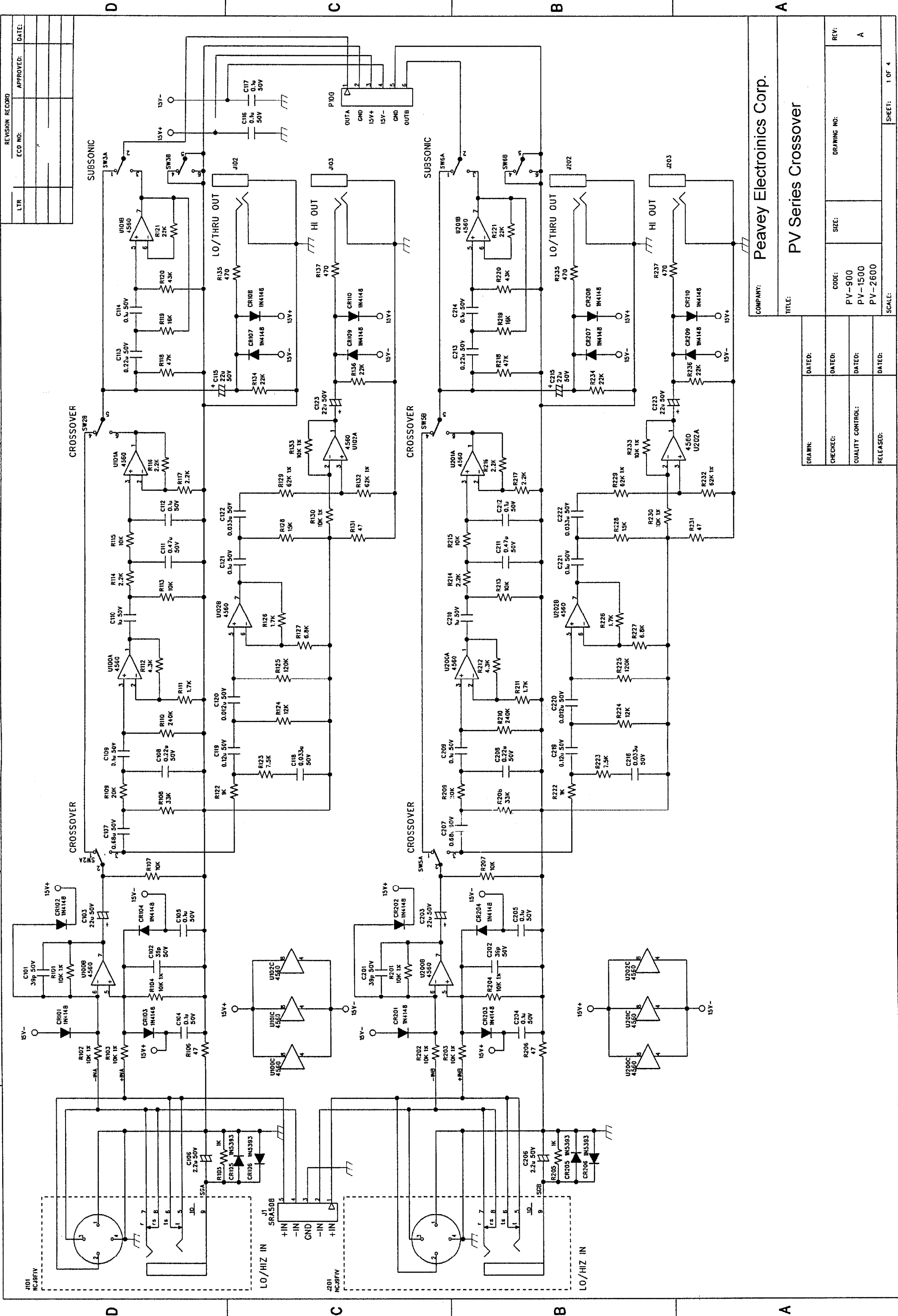


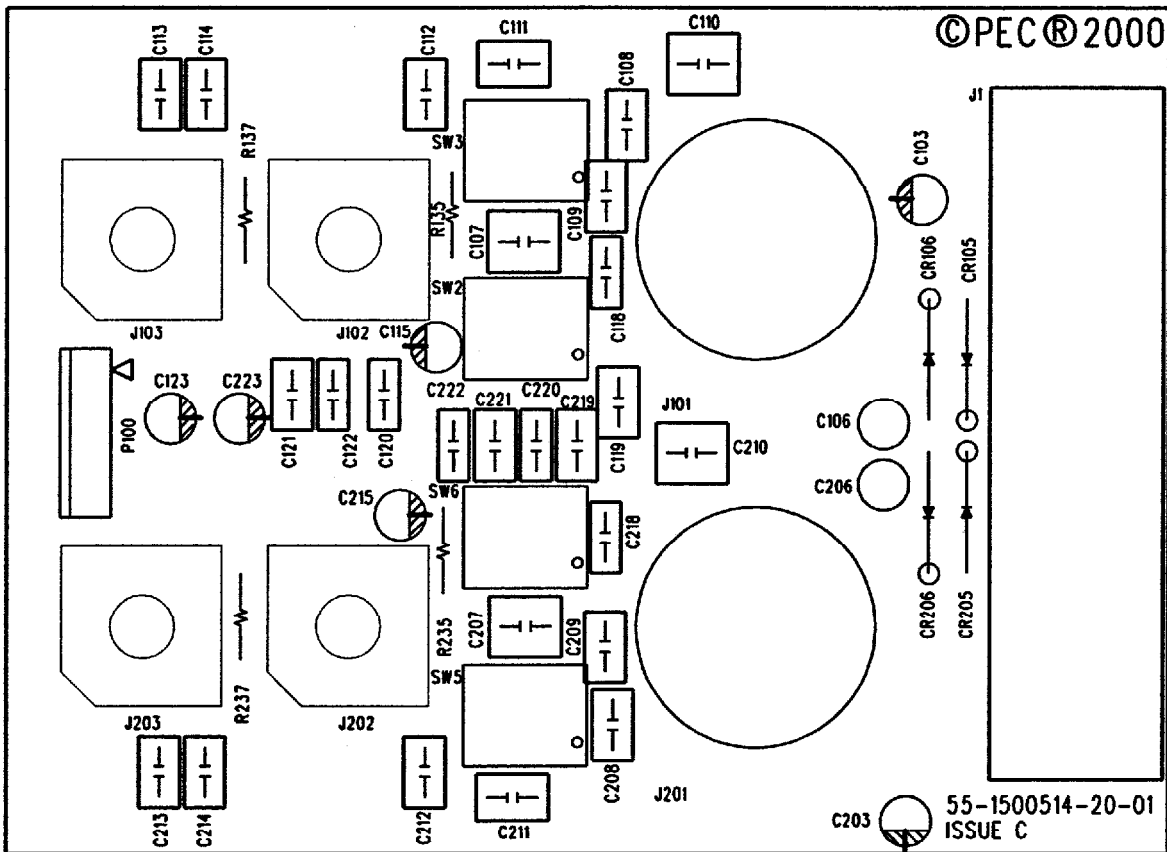
REVISION RECORD	APPROVED:	DATE:
ECD NO:		
LTR		



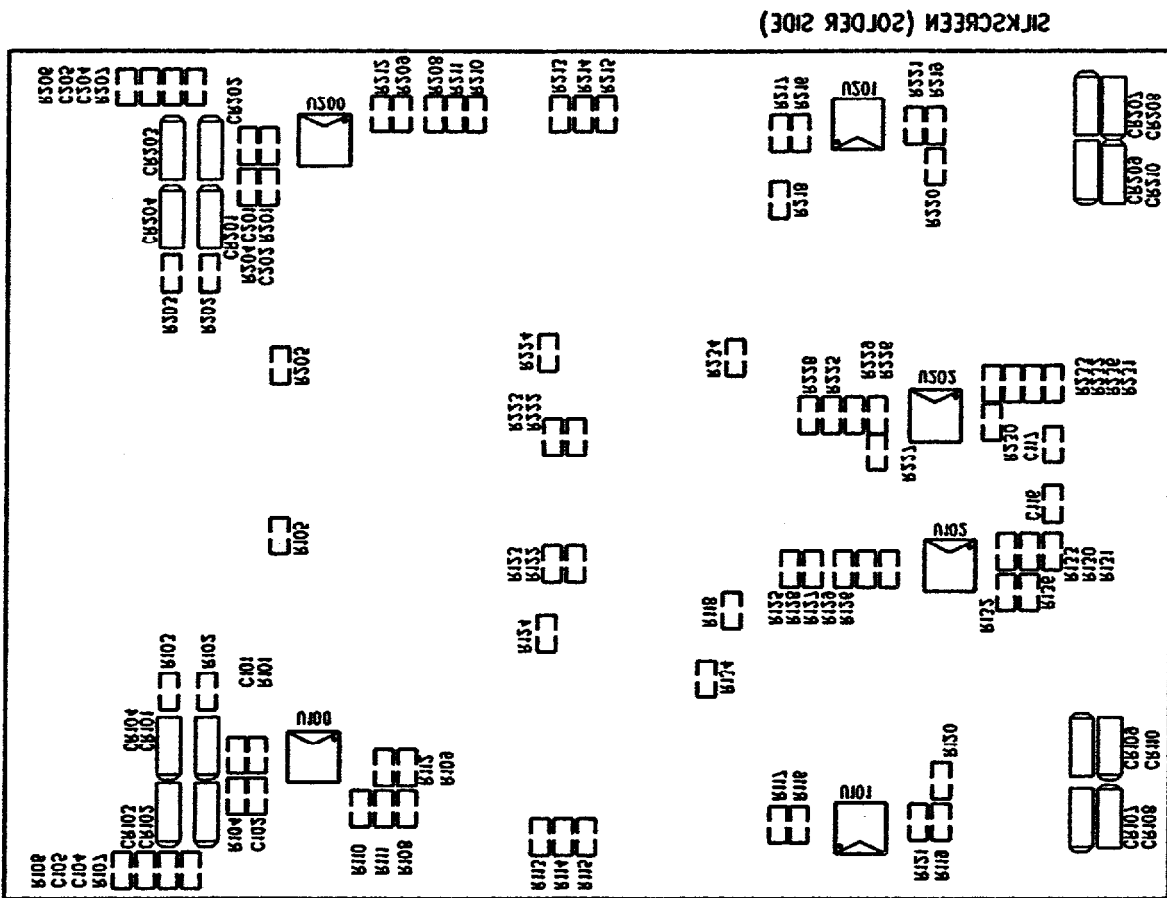
COMPANY:	Peavey Electronics Corp.
TITLE:	PV Series Crossover
DATE:	
CHECKED:	
QUALITY CONTROL:	
RELEASED:	
CODE:	PV-900 PV-1500 PV-2600
SIZE:	
DRAWING NO:	
REV:	A
SCALE:	1 OF 4

1
2
3
4
5
6

D C B A



SILKSCREEN (COMPONENT SIDE)



REVISION RECORD	
NO.	DATE

1

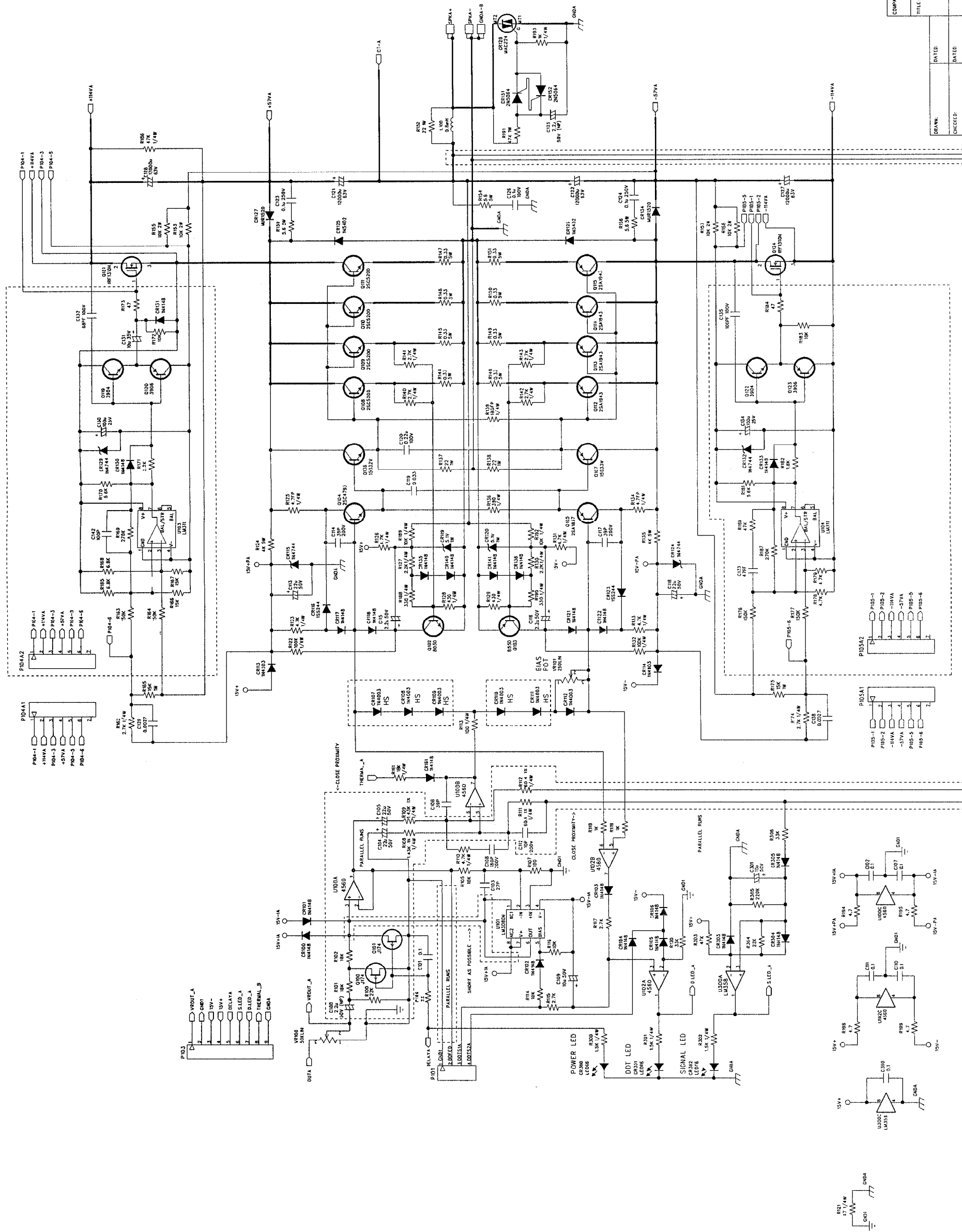
2

3

4

5

6

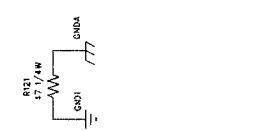
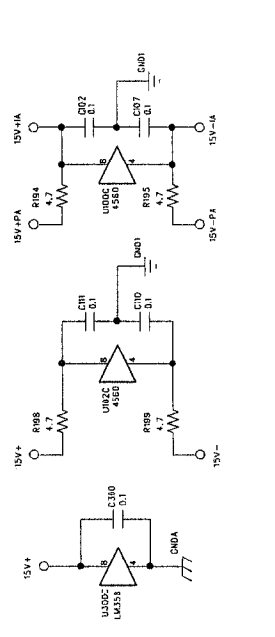


COMPANY: Peavey Electronics Corporation
 TITLE: PV2600 Channel A
 DRAWING NO.:
 CODE: PV-2600
 SIZE:
 DATE:
 CHECKED:
 QUALITY CONTROL:
 RELEASED:
 SCALE: 2 OF 4

DRAWN:	CHECKED:	QUALITY CONTROL:	RELEASED:

DATE:	DATE:	DATE:	DATE:

PARALLEL RUNS

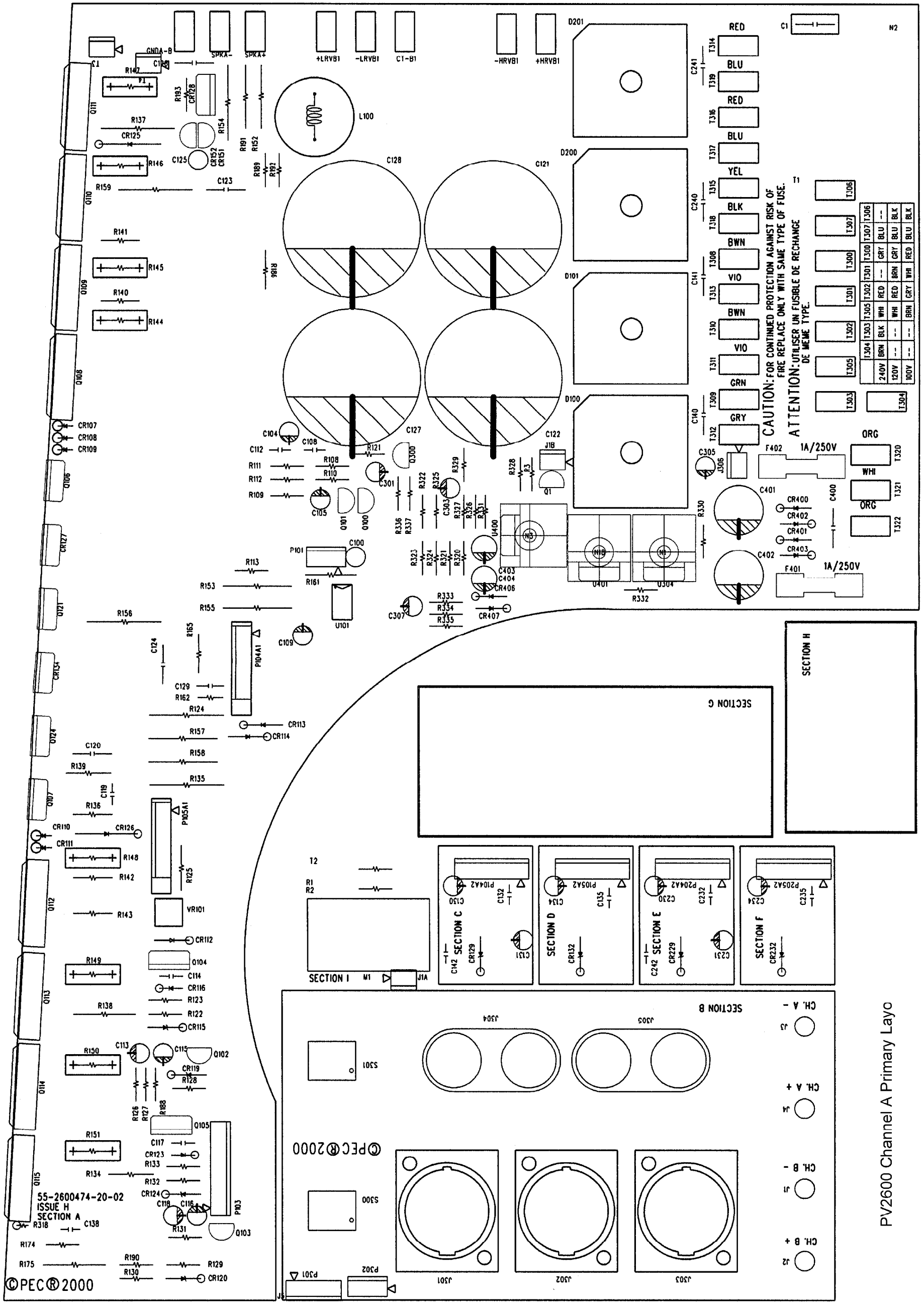


D

C

B

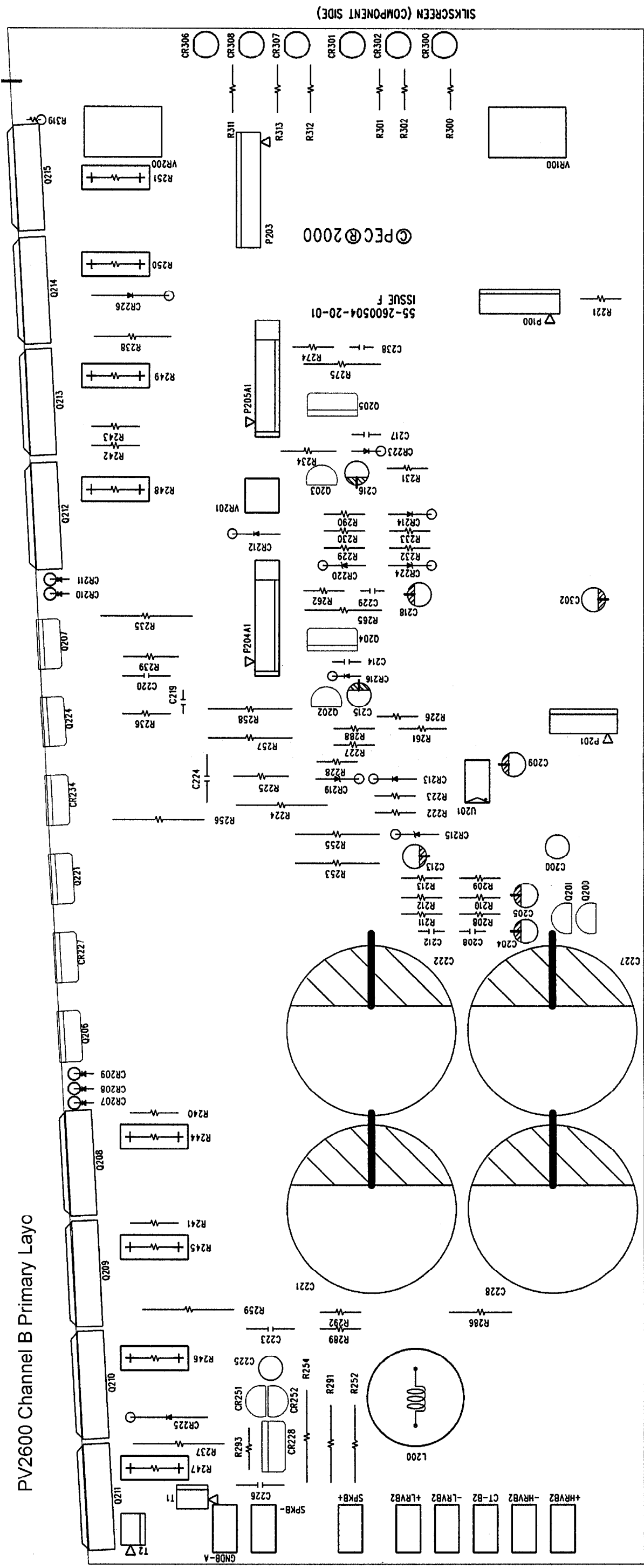
A



PV2600 Channel A Primary Layout

SILKSCREEN (COMPONENT SIDE)

PV2600 Channel B Primary Layo



©PEC® 2000
ISSUE F
55-2600S04-20-01

SILKSCREEN (COMPONENT SIDE)

PV 900, 1500, 2600 Parts List

Please note: T&R means a through-hole part, SMD means a surface mount part.

Transistors, FET's

2SC5200	NPN T0-3P Output	70467230
2SA1943	PNP T0-3P Output	70457230
MJE15032	NPN T0-220 Driver	70415032
MJE15033	PNP T0-220 Driver	70415033
2SC4793	NPN T0-220 Pre-driver	70404793
2SA1837	PNP T0-220 Pre-driver	70401837
SS8050C	NPN T0-92- use MPS6531	70466531
SS8550C	PNP T0-92- use MPS6534	70466533
J174	P-Channel T0-92 FET, T&R	70400174
T3904	NPN SOT-23 SMD (PV2600)	70418135
T3906	PNP SOT-23 SMD (PV2600)	70418136
IRFZ44	T0-220 FET- use IRF1310 (PV2600, don't mix 44 and 1310)	73900381
IRF1310	T0-220 FET (PV2600, do not mix with IRFZ44)	73900381

Diodes, Bridge Rectifier

IN4003	1 amp 200v T&R	70464003
IN4001	50v 1.6a D041 SMD	70418103
IN4148	75v T&R	70464148
IN4148	75v LL34 SMD	70418026
IN4744	15v 1 watt Zener T&R	70440102
IN4745	16v 1 watt Zener- use SZP30050 T&R	70430050
BZX55	5.1v ½ watt Zener T&R	73900430
1SS244	300v T&R (PV2600)	73900429
1SS142	250v T&R	70400142
1N5402	MR502 200v 3 amp T&R	70400502
MUR1520	Fast recovery T0-220 200v, 15 amp T&R	73900374
1N5393	200v, 1.5a T&R	70465393
LED Green	Right Angle	73900433
LED Red	Right Angle	73900434
LED Yellow	Right Angle	73900435
Bridge Rectifier	25 amp 400v MP254W, BR25W	73900368

Triacs, SCR's, Regulators

LM317T	1 amp T0-220 Adjustable Regulator	70400317
7815	1.5 amp Positive 15v T0-220 Insulated Regulator	70400318
7915	1.5 amp Negative 15v T0-220 Insulated Regulator	70400319
MAC224-8	40 amp 600v T0-220 Triac (can use SAC187 70400187)	73900379
2N5064	SCR .8 amp 200v	73900437

Integrated Circuits

NJM4560M	Dual Opamp S0-8 SMD	70418053
LM311	Voltage Comparator S0-8 SMD	70418014
CA3080	Single OTA 8 pin DIP	70413080
LM358	Low Power Dual Opamp S0-8 SMD	70418276

Thermistors, Surgistors, Capacitors, Resistors

NTH4037A502	Thermistor NTC	73900378
Surgistor	1 ohm 30 amp	70250123
1200uf 63v	Radial Cap	73900369
3300uf 100v	Radial Cap	73900370
4700uf 80v	Radial Cap	73900371
22uf 50v	Radial Cap	70320181
10uf 50v	Radial Cap	70320185
2.2uf 50v	Non-Polarized Radial Cap	70320184
.33 ohm 5 watt	Resistor T&R	70250003
5.6 ohm 5 watt	Resistor T&R	70250026
4k ohm 5 watt	Resistor T&R	70250050
22 ohm 1 watt	Resistor T&R	70210001
47k 1 watt	Resistor T&R	70210004
4.7 ohm ¼ watt	Resistor T&R Flameproof	70240094

Miscellaneous

Circuit Breaker	10 amp	73900372
Circuit Breaker	15 amp	70901275
Circuit Breaker	5 amp (export)	73900440
Circuit Breaker	8 amp (export)	70902302
1 amp Fuse	Slow-Blow 5x20 mm	73900569
Fuse Clip	P.C. Mount	73900431
Fan	24v	73900375
Volume Pot	50k Linear	73900380
Knob	Low Profile, flush with front of unit (newer style)	70902298
Knob	Earlier Units, not flush with front of unit (older style)	73900432
Knob Adapter	White Pointer Adapter for 73900432 knob above	73900432
Power Switch		73900377
Push Switch	Bridge, DDT Defeat	73900376
Binding Posts	Red and Black Posts, per channel	73900438
Speakon Connector		B7050018
Neutrik Combo Input Jack		71466398