

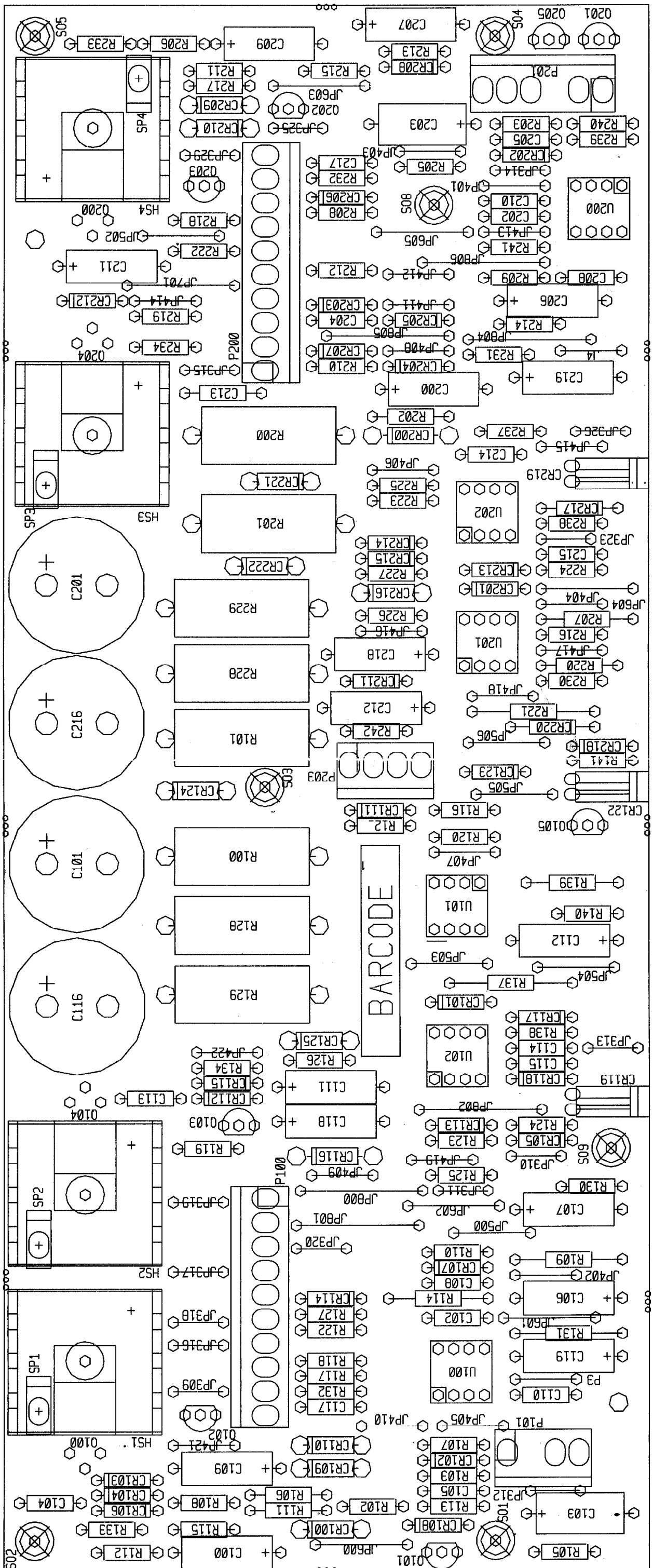
\*15886 DIODE  
LOCATED ON  
OUTPUT BOARD  
(PINS 1 AND 2)

NOTICE: THIS CIRCUITRY IS PROTECTED BY U.S. PATENT  
NO. 4,318,833 OWNED BY PEAVEY ELECTRONICS CORP.  
USE OR COPYING WITHOUT EXPRESS WRITTEN AUTHORITY  
FROM PEAVEY IS STRICTLY FORBIDDEN AND VIOLATIONS  
WILL BE PROSECUTED TO THE FULLEST EXTENT ALLOWED  
UNDER U.S. PATENT LAWS.

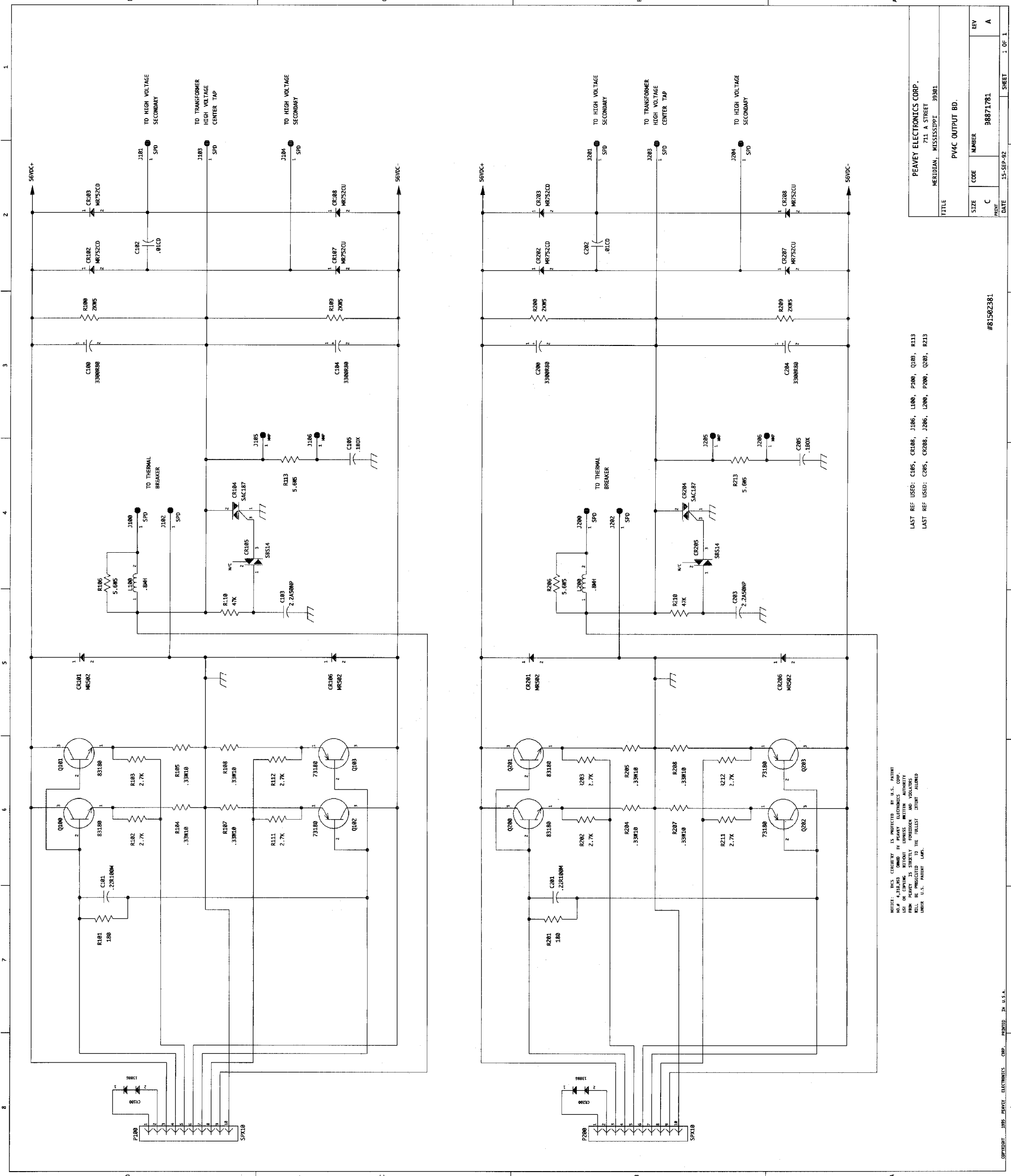
\*15886 DIODE  
LOCATED ON  
OUTPUT BOARD  
(PINS 1 AND 2)

PEAVEY ELECTRONICS CORP.			
Merriden, Massachusetts 03881			
TITLE	CODE	NUMBER	REV
PV4C DRIVE BOARD	D	98271761	A
DATE	18 APR 95	#8192381	
			SHEET 1 OF 1

LAS\* REF: C119 CR225 PAR Q185 R141 U182  
C219 CR222 P283 Q285 R241 U182





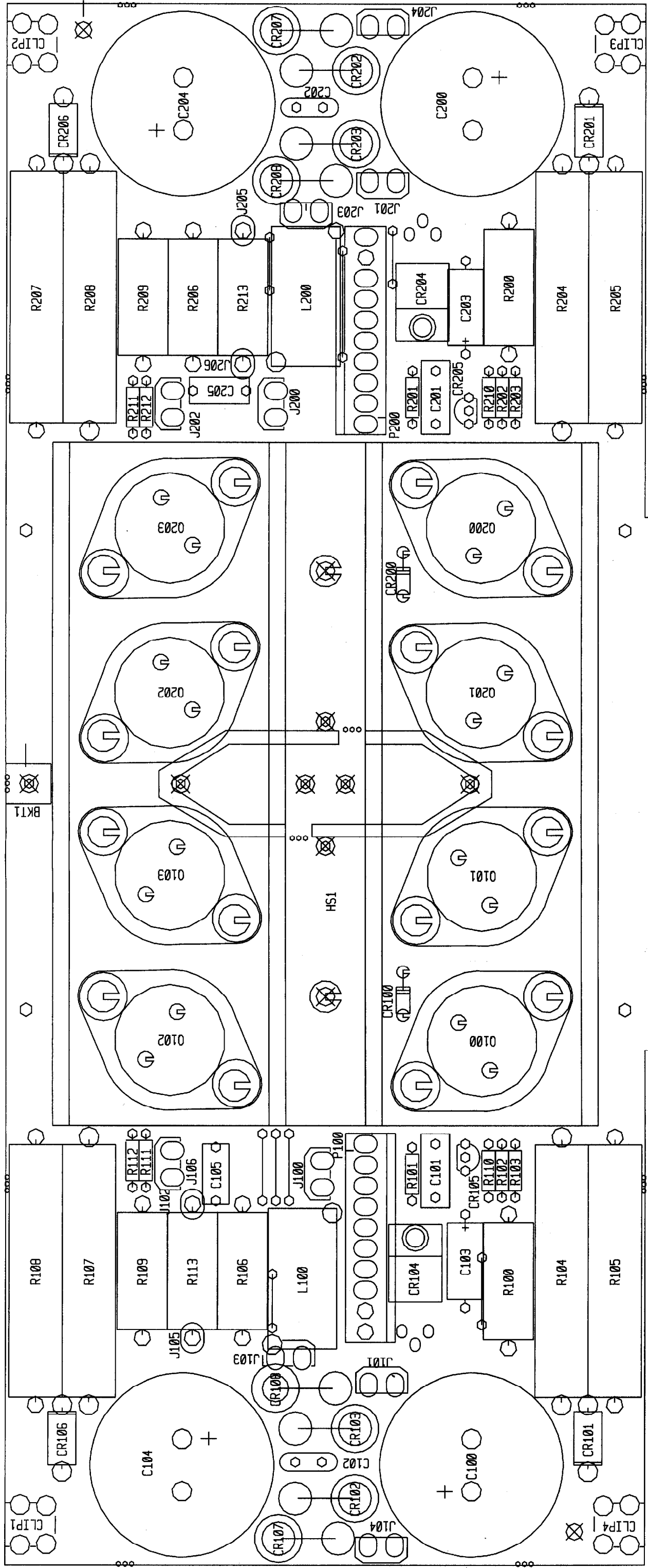


NOTICE: THIS CIRCULAR IS PROTECTED BY U.S. PATENT NO. 4,314,833 OWNED BY PEAVEY ELECTRONICS CORP. NO PART OF THIS CIRCULAR OR ANY INFORMATION CONTAINED HEREIN IS TO BE REPRODUCED OR TRANSMITTED IN ANY FORM OR BY ANY MEANS WITHOUT THE WRITTEN PERMISSION OF PEAVEY ELECTRONICS CORP. THIS CIRCULAR IS PRINTED ON RECYCLED PAPER. ALL RIGHTS ARE RESERVED TO THE FULLEST EXTENT ALLOWED UNDER U.S. PATENT LAWS.

LAST REF USED: C105, CR108, J106, L100, P100, Q103, R113  
 LAST REF USED: C205, CR208, J206, L200, P200, Q203, R213

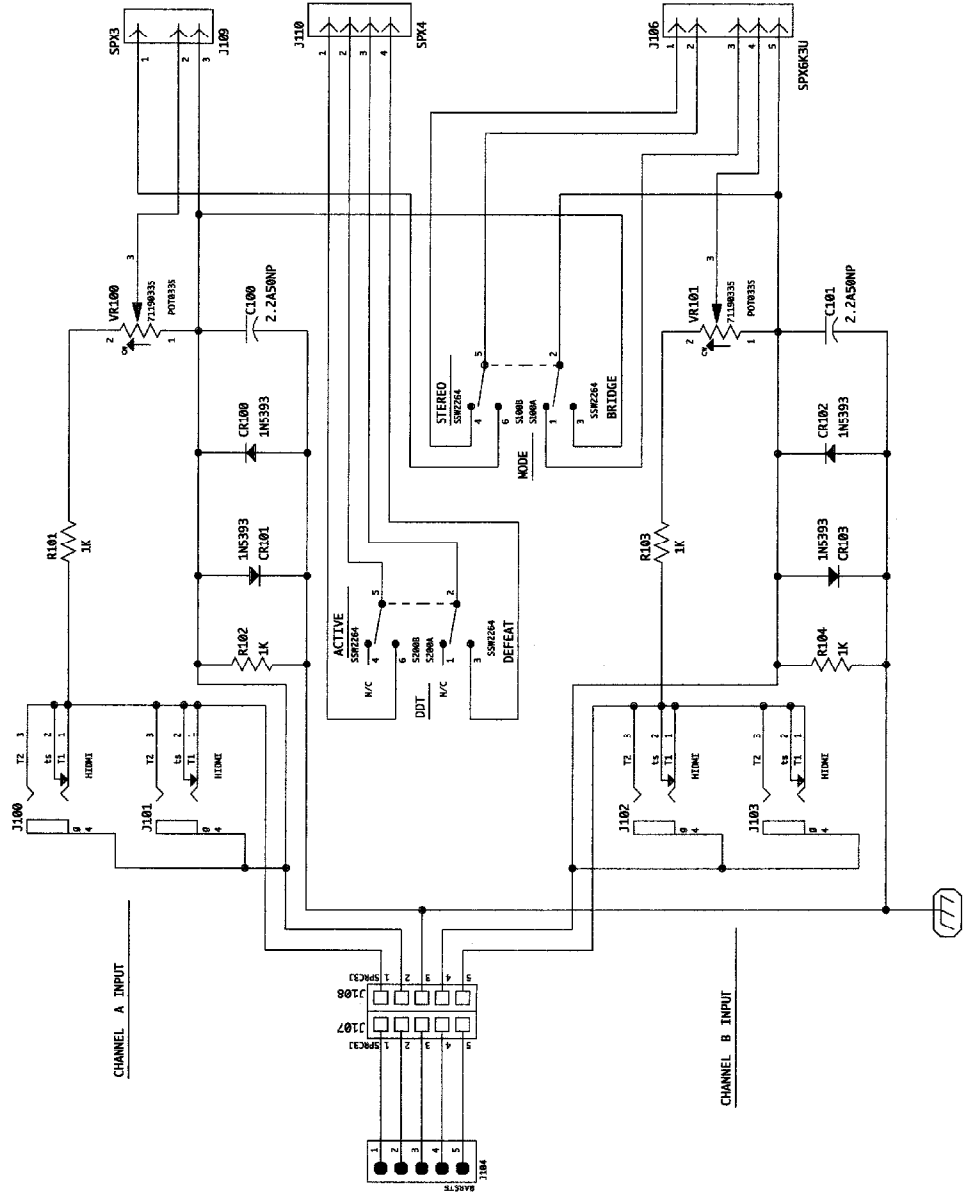
TITLE		PV4C OUTPUT BD.	
SIZE	CODE	NUMBER	REV
C		98871781	A
DATE	15-SEP-82		SHEET
			1 OF 1

#81502381



PV4C OUTPUT

98871781



NOTICE: THIS COUNTRY IS PROTECTED BY U.S. PATENT OFFICE. ANY REPRODUCTION, COPIING, OR USE OF THIS DOCUMENT WITHOUT EXPRESS WRITTEN AUTHORITY FROM PEAVEY IS STRICTLY FORBIDDEN AND VIOLATORS WILL BE PROSECUTED TO THE FULLEST EXTENT ALLOWED UNDER U.S. PATENT LAWS.

#81502381

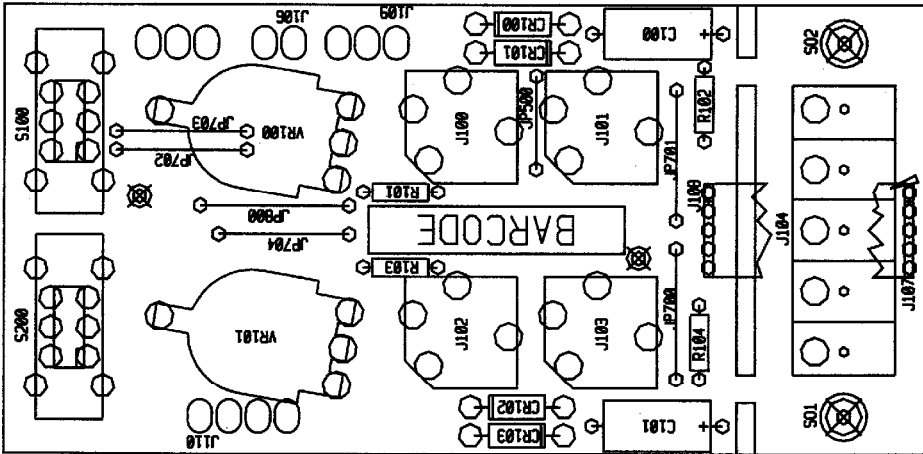
PEAVEY ELECTRONICS CORP.  
711 A STREET  
MERIDIAN, MISSISSIPPI 39301

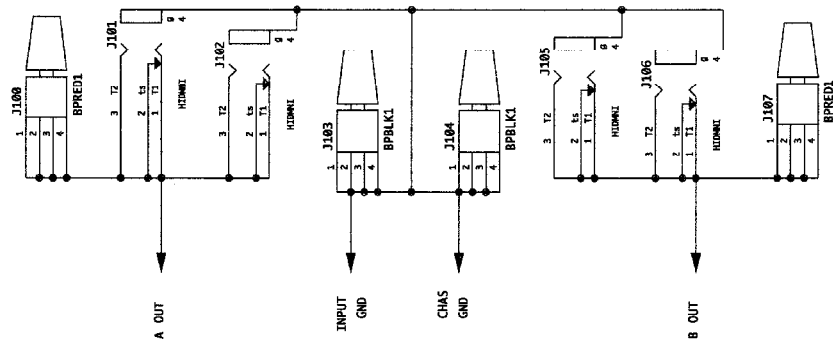
TITLE  
PV4C INPUT BOARD

SIZE	CODE	NUMBER	REV
B		98871751	A
DATE	29-JAN-93		SHEET 1 OF 1

BOARD NAME: PVACTP2  
 ASSEMBLY LEVEL NUMBER: 99371751

** QTY.	PART NUMBER	DESCRIPTION AND DEVICE DESIGNATIONS
2	70320010	2.2MFD 20% 50V NP EL T&R
4	70465393	1N5393-RL 200V, 1.5, 5% DIODE -T&R
4	71466215	2 TIP HID JACK TNSU W/SPD
1	70900845	SINGLE ROW 5 POS STRIP WITHOUT EARS
1	XXXXXXXXXX	5 EACH OF STAKE PINS
2	70600037	5C PRE-PIN .100 3* JMER
1	XXXXXXXXXX	3 EACH OF STAKE PINS
1	XXXXXXXXXX	4 EACH OF STAKE PINS
4	70240017	1K-1/4W-5% -CF-T&R
2	71322264	SLIDE SWITCH PC MOUNT
2	70900788	SPACER, 1/8, R(#4), .187 SWAGE ALUM.
2	71190335	50K LIN METRIC SPIDER 1MM





NOTICE: THIS CIRCUITRY IS PROTECTED BY U.S. PATENT #81502381. ANY REPRODUCTION OR USE OF THIS CIRCUITRY WITHOUT EXPRESS WRITTEN AUTHORITY FROM PEAVEY IS STRICTLY FORBIDDEN AND VIOLATORS WILL BE PROSECUTED TO THE FULLEST EXTENT ALLOWED UNDER U.S. PATENT LAWS.

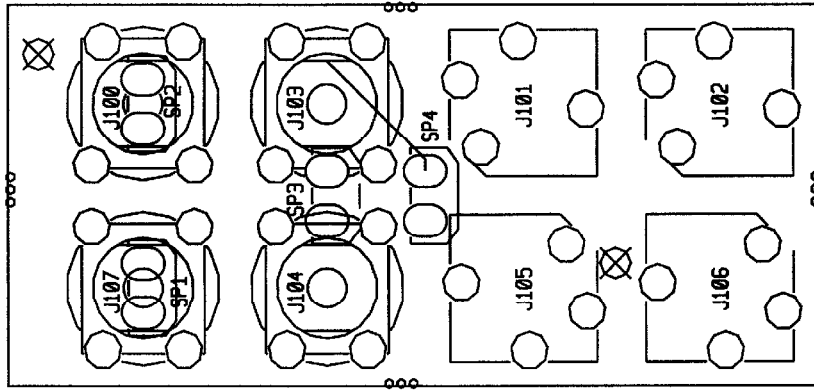
#81502381

TITLE		PEAVEY ELECTRONICS CORP. 711 A STREET MERIDIAN, MISSISSIPPI 39301	
SIZE	CODE	NUMBER	REV
B		98871840	A
PRINT	DATE	16-JUN-92	SHEET 1 OF 1



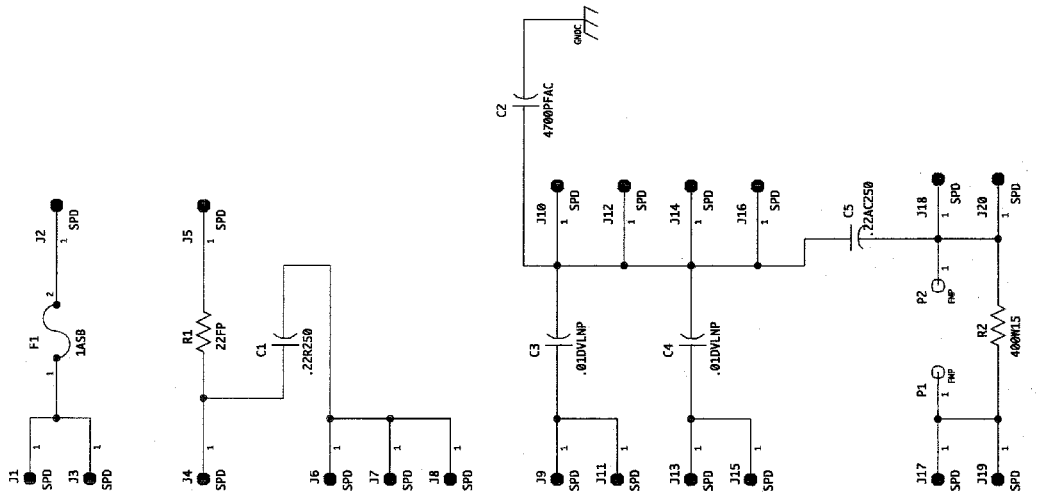
BOARD NAME: PV/CJACK  
 ASSEMBLY LEVEL NUMBER: 99371840

QTY.	PART NUMBER	DESCRIPTION AND DEVICE DESIGNATIONS
1	71466201	BINDING POST PC RED-90 J100
2	71466214	2 TIP HID JACK NINS W/SPD J101, J102
2	71466200	BINDING POST PC BLK-90 J103, J104
2	71466214	2 TIP HID JACK NINS W/SPD J105, J106
1	71466201	BINDING POST PC RED-90 J107
2	70600005	22GA JUMPER WIRES T&R JF800, JF801
4	73716194	.250 PC MNT SPADE .093 PCB SP1, SP2, SP3, SP4



PV4C JACK  
 98871840

LAST REF USED: C5 F1 J20 P2 RZ S04



N/C	S01	1	25000
N/C	S02	1	25000
N/C	S03	1	25000
N/C	S04	1	25000

#81502381

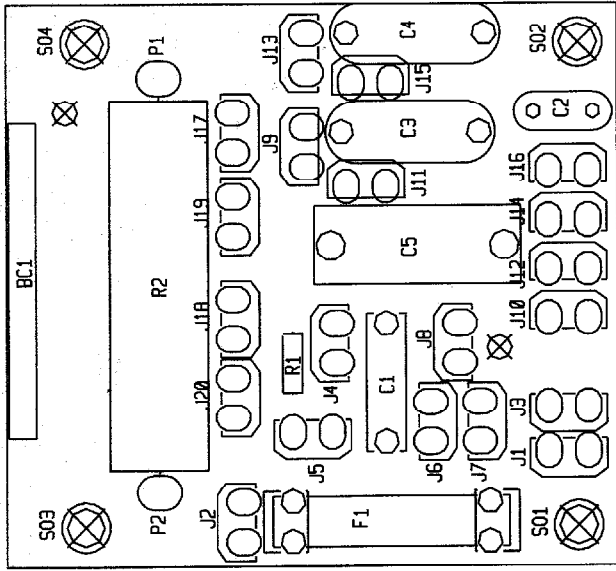
NOTICE: THIS CIRCUITRY IS PROTECTED BY U.S. PATENT NO. 4,338,083 OWNED BY PEAVEY ELECTRONICS CORP. USE OR COPYING WITHOUT EXPRESS WRITTEN AUTHORITY FROM PEAVEY IS STRICTLY FORBIDDEN AND VIOLATORS WILL BE PROSECUTED TO THE FULLEST EXTENT ALLOWED UNDER U.S. PATENT LAWS.

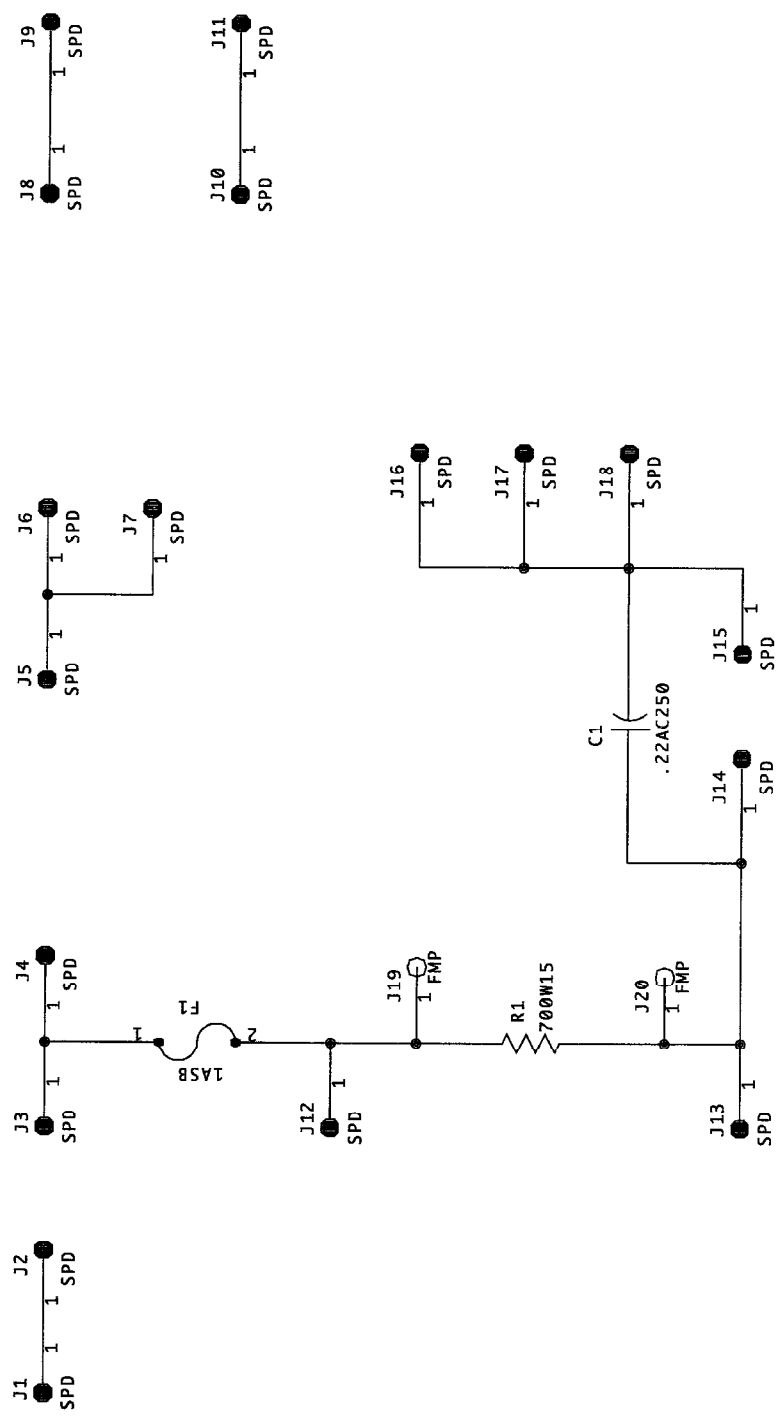
PEAVEY ELECTRONICS CORP.  
711 A STREET  
MERIDIAN, MISSISSIPPI 39301

TITLE		PVAC AC BOARD 120V	
SIZE	CODE	NUMBER	REV
B		98871770	A
PRINT	DATE	19-OCT-92	SHEET
			1 OF 1

BOARD NAME: FV4CAL20  
 ASSEMBLY LEVEL NUMBER: 98371770

** QTY.	PART NUMBER	DESCRIPTION AND DEVICE DESIGNATIONS
1	70320129	.22MFD 10% 250V MY R/W
1	70520114	4700PF 400VAC EXP LINE CAP X
2	70320104	.01 MFD 125VDC DVL MYLAR +0-20% C3, C4
1	70320161	.22 mfd 20% 250vac my r/a
1	70900379	1 AMP S/B FUSE WITH 2 FUSECLIPS #70306816
20	73716194	.250 PC MNT SPADE .093 PCB J1, J2, J3, J4, J5, J6, J7, J8, J9, J10, J11, J12, J13, J14, J15, J16, J17, J18, J19, J20
2	73711811	ML18-171 C.B. FEMALE MOLEX PIN P1, P2
1	70240100	22PF-1/4W-5%-PF-
1	70250013	400-15W-10%-WF-AXL
4	70900785	SPACER, 1/4,R(#4),.187 SWAGE ALUM. S01, S02, S03, S04





NOTICE: THIS CIRCUITRY IS PROTECTED BY U.S. PATENT NO. # 4,318,053 OWNED BY PEAVEY ELECTRONICS CORP. USE OR COPYING WITHOUT EXPRESS WRITTEN AUTHORITY FROM PEAVEY IS STRICTLY FORBIDDEN AND VIOLATORS WILL BE PROSECUTED TO THE FULLEST EXTENT ALLOWED UNDER U.S. PATENT LAWS.

- N/C S01 250S0W
- N/C S02 250S0W
- N/C S03 250S0W
- N/C S04 250S0W

PEAVEY ELECTRONICS, CORP.  
711 'A' STREET  
MERIDIAN, MISSISSIPPI 39301

TITLE  
PV4C AC BD 230V

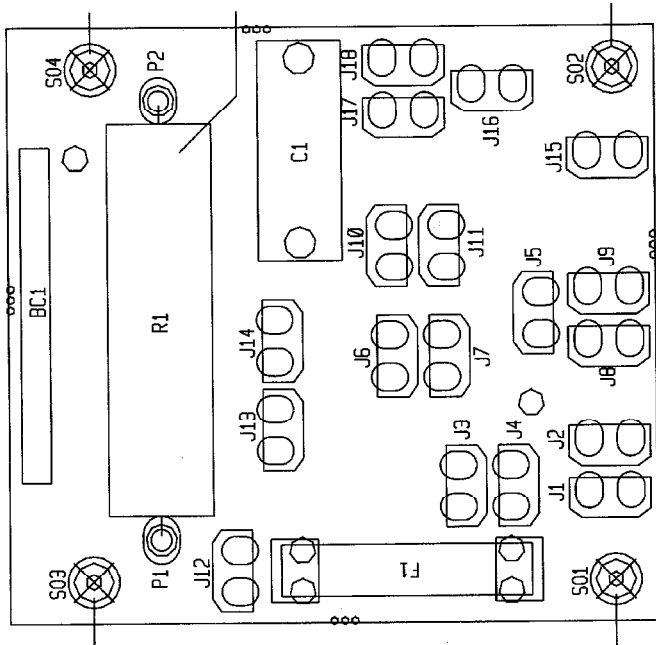
SIZE	CODE	NUMBER	REV
A		98871820	A
DATE	29-OCT-92		SHEET 1 OF 1

#81502381

BOARD NAME: PV4C 230V AC  
 ASSEMBLY LEVEL NUMBER: 99571820

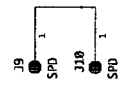
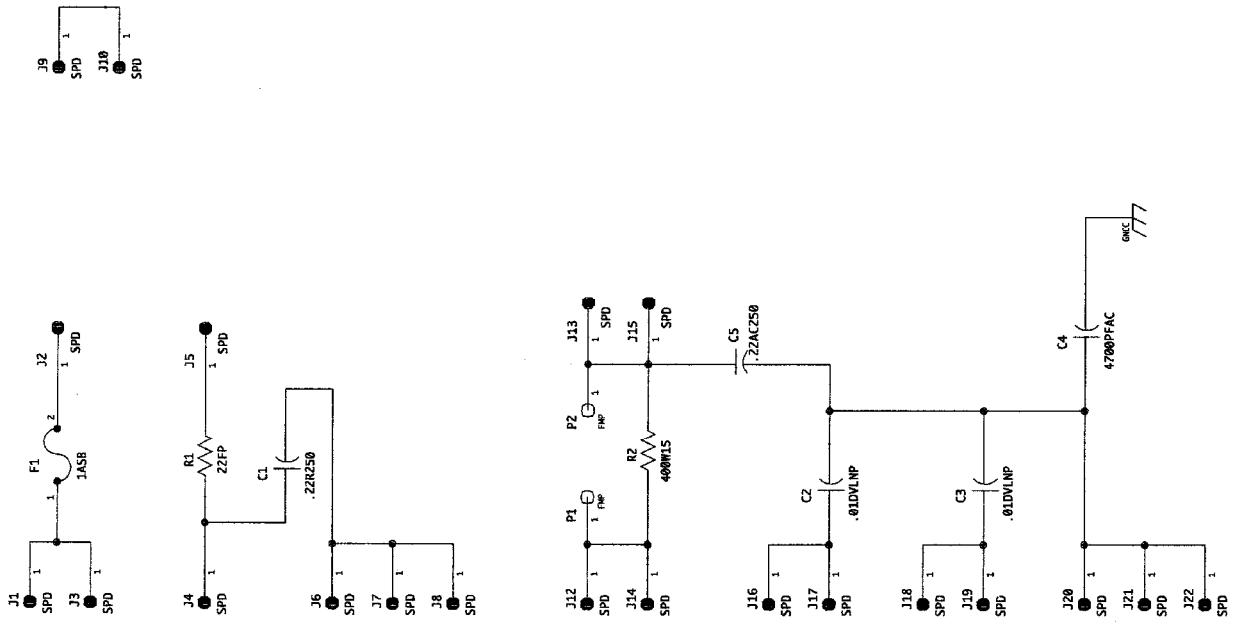
QTY.	NAME	VALUE	PART NUMBER	DESCRIPTION AND DEVICE DESIGNATIONS
1	.22AC250	.22AC250	70320161	.22 mfd 20% 250vac my r/a C1
1	1ASB	1ASB	70900379	1 AMP S/B FUSE WITH 2 FUSECLIPS #70500816 F1
18	SPD	73716194	73716194	.250 PC MNT SPADE .093 PCB J1, J2, J3, J4, J5, J6, J7, J8, J9, J10, J11, J12, J13, J14, J15, J16, J17, J18
2	FMP	FMP	73711811	M118-171 C.B. FEMALE MOLEX PIN P1, P2
1	700W15	700W15	70250037	700-15W-108-WW-XXL R1
4	250SOW	70900785	70900785	SPACER, 1/4,R(#4),.187 SWAGE ALUM. S01, S02, S03, S04

\*\*\*\*\*



PV4C 230V AC (EXPORIT)  
 98871820

LAST REF USED: C5 F1 J22 P2 R2 S04



NOTICE: THIS CIRCUITRY IS PROTECTED BY U.S. PATENT NO. 4,314,863. NO PARTS OF THIS CIRCUITRY MAY BE REPRODUCED OR TRANSMITTED IN ANY FORM OR BY ANY MEANS WITHOUT EXPRESS WRITTEN AUTHORITY FROM PEAVEY IS STRICTLY FORBIDDEN AND VIOLATORS WILL BE PROSECUTED TO THE FULLEST EXTENT ALLOWED UNDER U.S. PATENT LAWS.

N/C	S01	1	25050W
GNDC	S02	1	25050W
N/C	S03	1	25050W
N/C	S04	1	25050W

#81502381

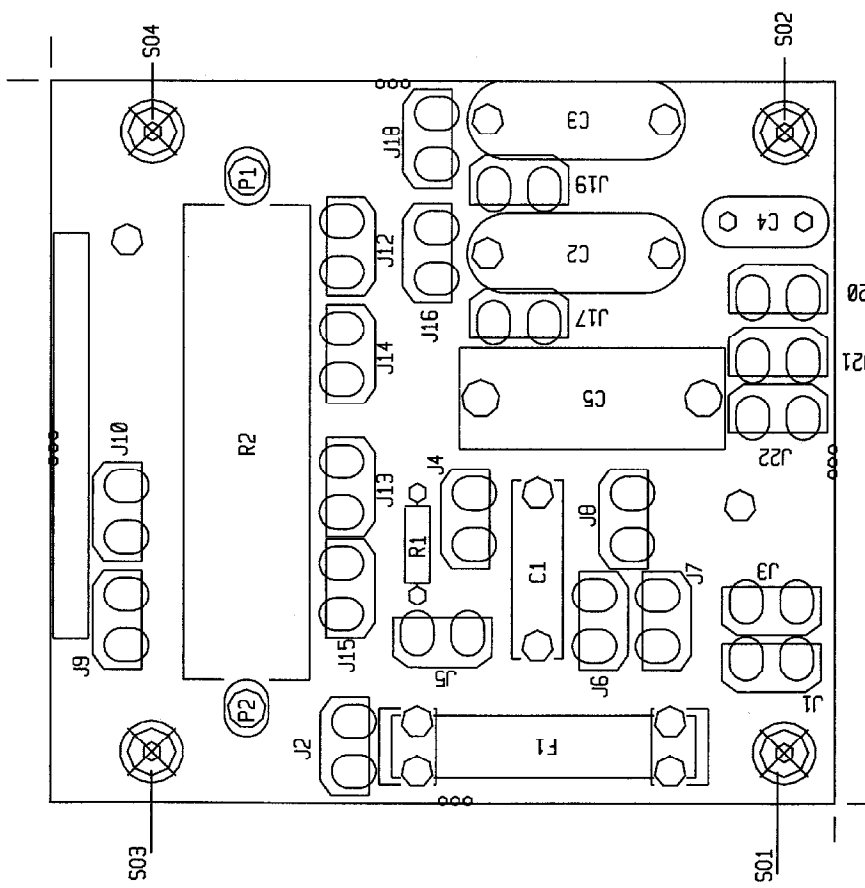
TITLE  
 PEAVEY ELECTRONICS CORP.  
 711 A STREET  
 HERZOGIAN, MISSISSIPPI 39301

SIZE	CODE	NUMBER	REV
B		98871830	A
DATE	19-01-92	SHEET	1 OF 1

BOARD NAME: PV4C AC 100V  
 ASSEMBLY LEVEL NUMBER: 99371830

QTY.	NAME	VALUE	PART NUMBER	DESCRIPTION AND DEVICE DESIGNATIONS
1	.22R250	.22R250	70320129	.22MFD 10% 250V MY R/W
2	.01EVLNP	.01DVLNP	70320104	.01 MFD 125VDC DVL MYLAR +0-20%
1	4700PFAC	4700PFAC	70320114	4700PF 400VAC EXP LINE CAP X
1	.22AC250	.22AC250	70320161	.22 mfd 20% 250vac my r/a
1	1ASB	1ASB	70900379	1 AMP S/B FUSE WITH 2 FUSECLIPS #70900283
21	SPD	73716194	73716194	.250 PC MNT SPADE .093 PCB
2	FMP	FMP	73711811	MI18-171 C.B. FEMALE MOLEX PIN
1	22FP	22FP	70240100	22FP-1/4W-58--FP--
1	400WL5	400WL5	70250013	400-15W-10%-WW-AXL
4	250SOW	70900785	70900785	SPACER, 1/4,R(#4),.187 SWAGE ALUM.

\*\*\*\*\*  
 S01, S02, S03, S04  
 \*\*\*\*\*



PV4C 100V AC  
 98871830