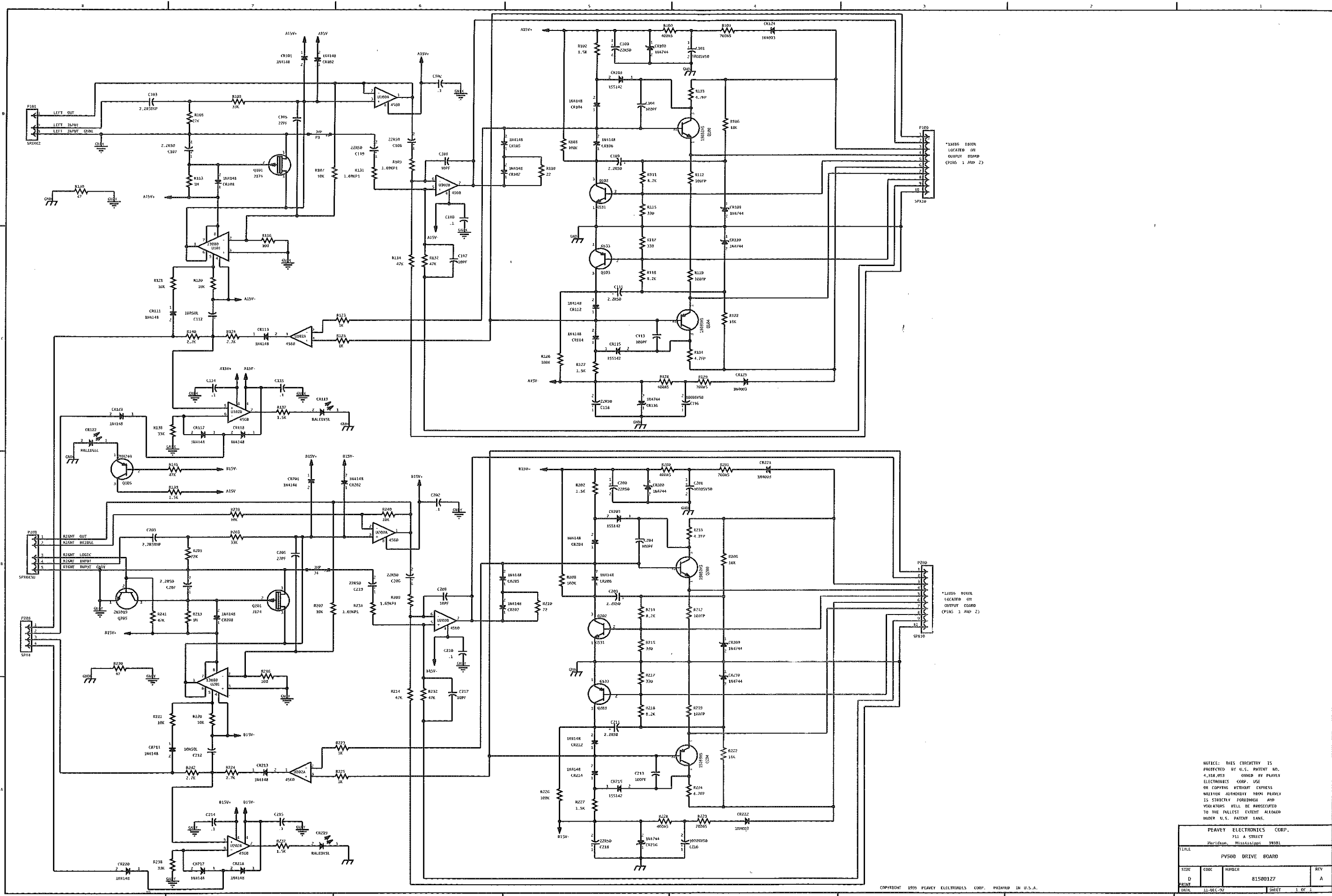


PV500 Drive

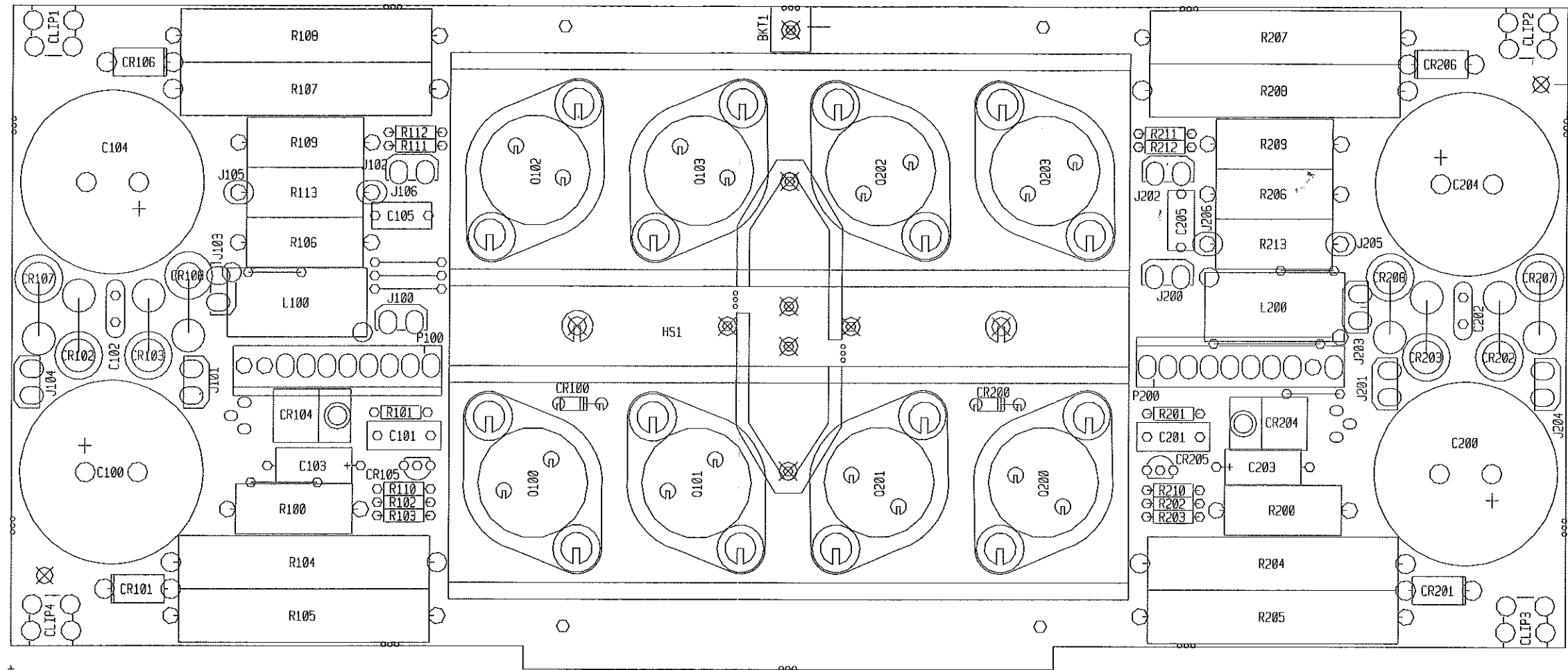


*33826 DIODE
LOCATED ON
OUTPUT BOARD
(PINS 1 AND 2)

*12526 DIODE
LOCATED ON
OUTPUT BOARD
(PINS 1 AND 2)

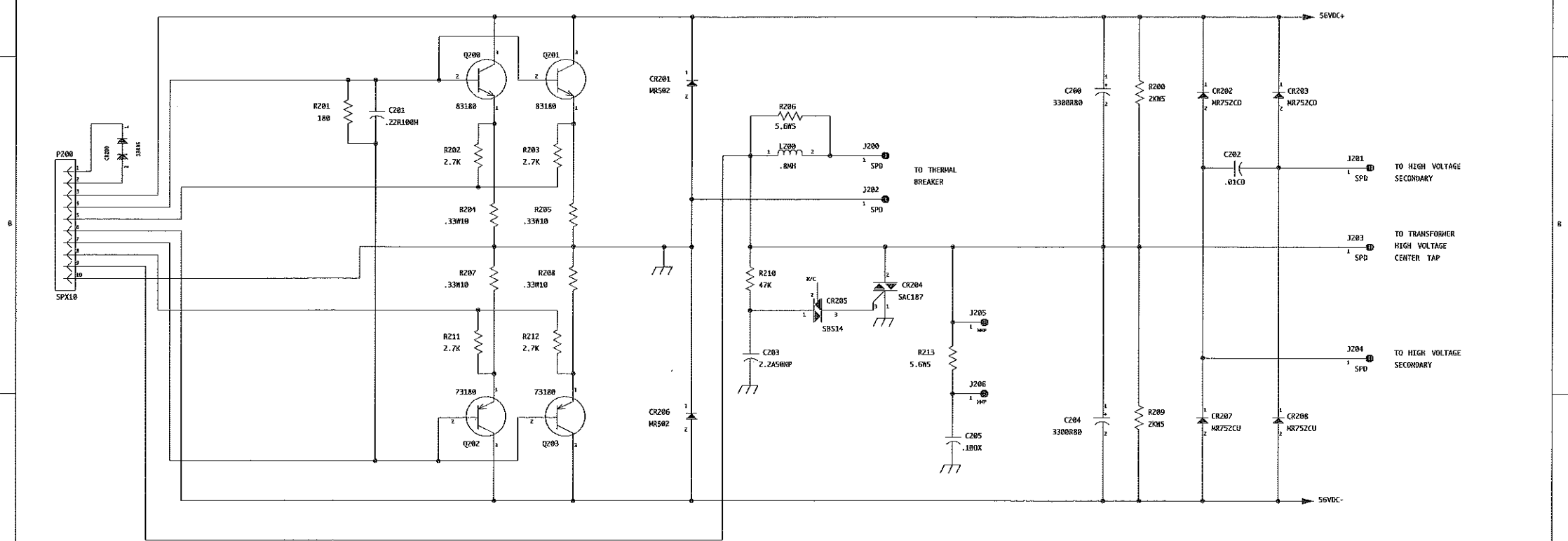
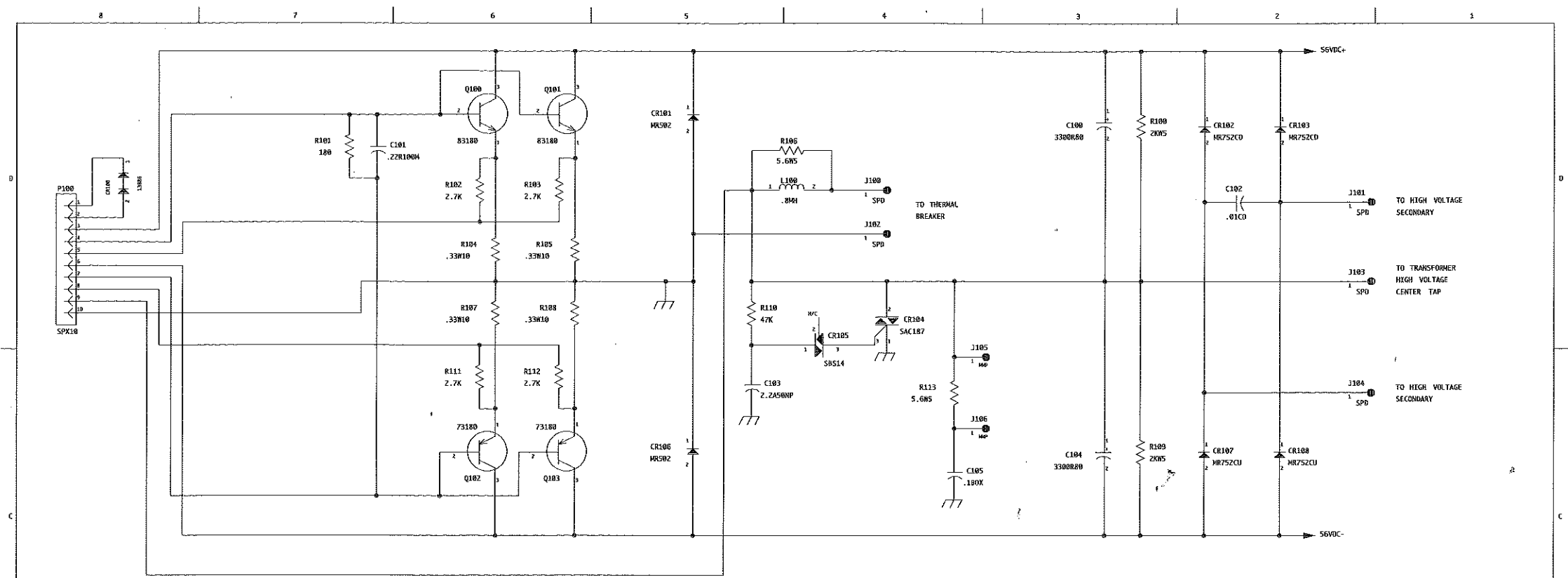
NOTICE: THIS CIRCUITRY IS
PROTECTED BY U.S. PATENT NO.
4,318,053 OWNED BY PEAVEY
ELECTRONICS CORP. USE
OR COPYING WITHOUT EXPRESS
WRITTEN AUTHORITY FROM PEAVEY
IS STRICTLY FORBIDDEN AND
VIOLATORS WILL BE PROSECUTED
TO THE FULLEST EXTENT ALLOWED
UNDER U.S. PATENT LAWS.

PEAVEY ELECTRONICS CORP. 711 A STREET Meridian, Mississippi 39301			
TITLE PV500 DRIVE BOARD			
SIZE D	CODE	NUMBER 81500127	REV A
DATE 11-DEC-75	SHEET 1 OF 1		



PV4C OUTPUT

98871781



NOTICE: THIS CIRCUITRY IS PROTECTED BY U.S. PATENT NO. 4,318,053 OWNED BY PEAVEY ELECTRONICS CORP. FOR OR COPYING WITHOUT EXPRESS WRITTEN AUTHORITY FROM PEAVEY IS STRICTLY FORBIDDEN AND VIOLATORS WILL BE PROSECUTED TO THE FULLEST EXTENT ALLOWED UNDER U.S. PATENT LAWS.

LAST REF USED: C105, CR108, J106, L100, P100, Q103, R113
 LAST REF USED: C205, CR208, J206, L200, P200, Q203, R213

#81502381

PEAVEY ELECTRONICS CORP. 711 A STREET MERTIDIAN, MISSISSIPPI 39301			
TITLE PVAC OUTPUT BD.			
SIZE C	CODE	NUMBER 98871781	REV A
DATE 15-SEP-92	SHEET 1 OF 1		

BOARD NAME: PV500 DRIVE

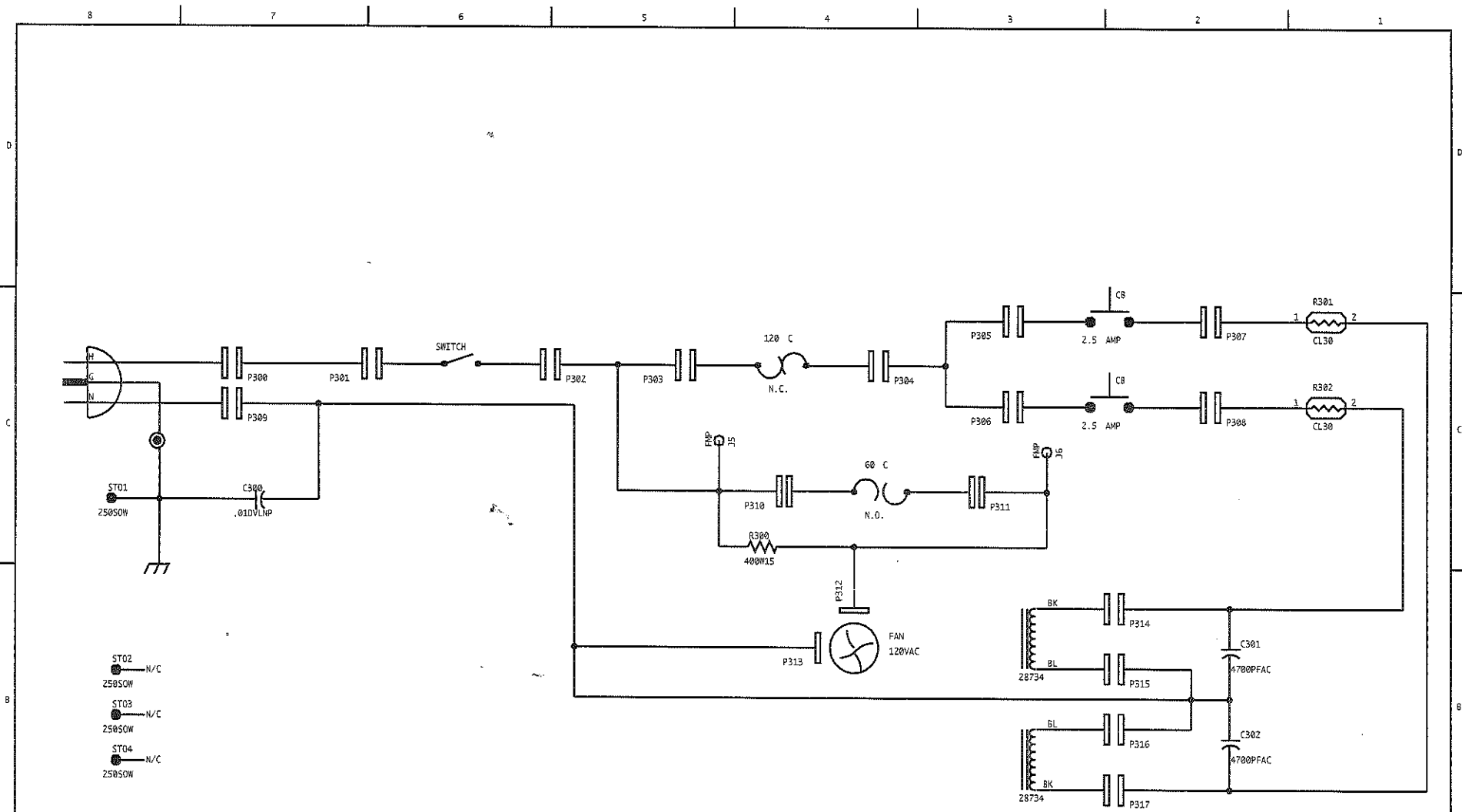
CBDS
PART PART DESCRIPTION AND
** QTY. NAME VALUE NUMBER DEVICE DESIGNATIONS *****

1	22R50	22R50	70320181	22MF--20%-50VDC-EL-T&A C100
1	1000SV50	1000SV50	70320147	1000MF--30/20%-50VDC-EL-R/S C101
1	.1	.1	70340100	.1MF--+80-20%-50VDC--AXL--T&R C102
1	2.2R50NP	2.2R50NP	70320184	2.2MF--20%-50VDC-NP-T&A C103
1	100PF	100PF	70340054	100PF--10%-50VDC--T/C--T&R C104
1	27PF	27PF	70340066	27PF--10%-50VDC--T/C--T&R C105
1	22R50	22R50	70320181	22MF--20%-50VDC-EL-T&A C106
1	2.2R50	2.2R50	70320180	2.2MF--20%-50VDC-EL-T&A C107
1	10PF	10PF	70340050	10PF--5%-----T/C--T&R C108
1	2.2R50	2.2R50	70320180	2.2MF--20%-50VDC-EL-T&A C109
1	.1	.1	70340100	.1MF--+80-20%-50VDC--AXL--T&R C110
1	2.2R50	2.2R50	70320180	2.2MF--20%-50VDC-EL-T&A C111
1	10R50L	10R50L	70320185	10MF--20%-50VDC-LL-T&A C112
1	100PF	100PF	70340054	100PF--10%-50VDC--T/C--T&R C113
2	.1	.1	70340100	.1MF--+80-20%-50VDC--AXL--T&R C114, C115
1	1000SV50	1000SV50	70320147	1000MF--30/20%-50VDC-EL-R/S C116
1	10PF	10PF	70340050	10PF--5%-----T/C--T&R C117
3	22R50	22R50	70320181	22MF--20%-50VDC-EL-T&A C118, C119, C200
1	1000SV50	1000SV50	70320147	1000MF--30/20%-50VDC-EL-R/S C201
1	.1	.1	70340100	.1MF--+80-20%-50VDC--AXL--T&R C202
1	2.2R50NP	2.2R50NP	70320184	2.2MF--20%-50VDC-NP-T&A C203
1	100PF	100PF	70340054	100PF--10%-50VDC--T/C--T&R C204
1	27PF	27PF	70340066	27PF--10%-50VDC--T/C--T&R C205
1	22R50	22R50	70320181	22MF--20%-50VDC-EL-T&A C206
1	2.2R50	2.2R50	70320180	2.2MF--20%-50VDC-EL-T&A C207
1	10PF	10PF	70340050	10PF--5%-----T/C--T&R C208
1	2.2R50	2.2R50	70320180	2.2MF--20%-50VDC-EL-T&A C209
1	.1	.1	70340100	.1MF--+80-20%-50VDC--AXL--T&R C210
1	2.2R50	2.2R50	70320180	2.2MF--20%-50VDC-EL-T&A C211
1	10R50L	10R50L	70320185	10MF--20%-50VDC-LL-T&A C212
1	100PF	100PF	70340054	100PF--10%-50VDC--T/C--T&R C213
2	.1	.1	70340100	.1MF--+80-20%-50VDC--AXL--T&R C214, C215
1	1000SV50	1000SV50	70320147	1000MF--30/20%-50VDC-EL-R/S C216
1	10PF	10PF	70340050	10PF--5%-----T/C--T&R C217
2	22R50	22R50	70320181	22MF--20%-50VDC-EL-T&A C218, C219
1	1N4744	4744	70440102	SZG40102 15V 5% ZENER DIODE CR100
2	1N4148	4148	70464148	1N4148 75V 10MA SILICON DIODE CR101, CR102
1	1SS142	1SS142	70400142	1SS142 250v SILICON DIODE CR103
5	1N4148	4148	70464148	1N4148 75V 10MA SILICON DIODE CR104, CR105, CR106, CR107, CR108
2	1N4744	4744	70440102	SZG40102 15V 5% ZENER DIODE CR109, CR110
4	1N4148	4148	70464148	1N4148 75V 10MA SILICON DIODE CR111, CR112, CR113, CR114
1	1SS142	1SS142	70400142	1SS142 250v SILICON DIODE CR115
1	1N4744	4744	70440102	SZG40102 15V 5% ZENER DIODE CR116
2	1N4148	4148	70464148	1N4148 75V 10MA SILICON DIODE CR117, CR118

1	RALEDYSL	RALEDYSL	70450055	LED, T-1, YEL, W/STOPPER LEAD T&A CR119
1	RALEDGSL	RALEDGSL	70450054	LED, T-1, GRN, W/STOPPER LEAD T&A CR122
1	1N4148	4148	70464148	1N4148 75V 10MA SILICON DIODE CR123
2	1N4003	1N4003	70464003	1N4003 200V SILICON DIODE CR124, CR125
1	1N4744	4744	70440102	SZG40102 15V 5% ZENER DIODE CR200
2	1N4148	4148	70464148	1N4148 75V 10MA SILICON DIODE CR201, CR202
1	1SS142	1SS142	70400142	1SS142 250v SILICON DIODE CR203
5	1N4148	4148	70464148	1N4148 75V 10MA SILICON DIODE CR204, CR205, CR206, CR207, CR208
2	1N4744	4744	70440102	SZG40102 15V 5% ZENER DIODE CR209, CR210
4	1N4148	4148	70464148	1N4148 75V 10MA SILICON DIODE CR211, CR212, CR213, CR214
1	1SS142	1SS142	70400142	1SS142 250v SILICON DIODE CR215
1	1N4744	4744	70440102	SZG40102 15V 5% ZENER DIODE CR216
2	1N4148	4148	70464148	1N4148 75V 10MA SILICON DIODE CR217, CR218
1	RALEDYSL	RALEDYSL	70450055	LED, T-1, YEL, W/STOPPER LEAD T&A CR219
1	1N4148	4148	70464148	1N4148 75V 10MA SILICON DIODE CR220
2	1N4003	1N4003	70464003	1N4003 200V SILICON DIODE CR221, CR222
4	HS2522	98002522	98002522	3/8" HEATSINK PUNCHED HS1, HS2, HS3, HS4
12	J2	J	70600004	22GA JUMPER WIRES T&A JP200, JP201, JP202, JP203, JP204, JP205, JP206, JP207, JP208, JP209, JP210, JP211
1	SPX10	SPX10	XXXXXXX	10 EACH OF STAKE PINS P100
1	SPX4K2	SPX4K2	XXXXXXX	3 EACH OF STAKE PINS P101
1	SPX10	SPX10	XXXXXXX	10 EACH OF STAKE PINS P200
1	SPX6K3U	SPX6K3U	XXXXXXX	5 EACH OF STAKE PINS P201
1	SPX4	SPX4	XXXXXXX	4 EACH OF STAKE PINS P203
1	15032HS	15032HS	70415032	MJE-15032 NPN HI-VLTG TO-220 DRIVER TRANSISTOR Q100
1	J174	J174	70460174	J-174 30V TO-92 P-CHAN FET T&A Q101
1	6531	6531	70466531	MPS-6531 TO92 NPN TRANS. T&A Q102
1	6533	6534	70466533	MPS-6533/34 TO-92 PNP TRANS T&A Q103
1	15033HS	15033HS	70415033	MJE-15033 PNP HI-VLTG TO-220 DRIVER TRANSISTOR Q104
1	2N4249	4249	70464249	2N4249/690 30V TO-92 PNP T&A Q105
1	15032HS	15032HS	70415032	MJE-15032 NPN HI-VLTG TO-220 DRIVER TRANSISTOR Q200
1	J174	J174	70460174	J-174 30V TO-92 P-CHAN FET T&A Q201
1	6531	6531	70466531	MPS-6531 TO92 NPN TRANS. T&A Q202
1	6533	6534	70466533	MPS-6533/34 TO-92 PNP TRANS T&A Q203
1	15033HS	15033HS	70415033	MJE-15033 PNP HI-VLTG TO-220 DRIVER TRANSISTOR Q204
1	2N3919	3919	70463919	SKA-3919 TO92 NPN TRANS T&A Q205
1	400W5	400W5	70250062	400-5W-10%-MW-AXL R100
1	700W5	700W5	70250061	700-5W-10%-MW-AXL R101
1	1.5K	1.5K	70240018	1.5K-1/4W-5%-CF-T&R R102
1	33K	33K	70240030	33K-1/4W-5%-CF-T&R R103
1	22K	22K	70240029	22K-1/4W-5%-CF-T&R R105
1	18K	18K	70240028	18K-1/4W-5%-CF-T&R R106
1	10K	10K	70240025	10K-1/4W-5%-CF-T&R R107
1	100K	100K	70240034	100K-1/4W-5%-CF-T&R R108
1	1.69KP1	1.69KP1	70241016	1.69K-1/4W-1%-MF-T&R R109
1	22	22	70240007	22-1/4W-5%-CF-T&R R110
1	8.2K	8.2K	70240049	8.2K-1/4W-5%-CF-T&R R111

1	100FP	100FP	70240096	100FP-1/4W-5%-FP-T&R R112
1	1M	1M	70240039	1M-1/4W-5%-CF-T&R R113
1	47K	47K	70240031	47K-1/4W-5%-CF-T&R R114
1	330	330	70240014	330-1/4W-5%-CF-T&R R115
1	100	100	70240010	100-1/4W-5%-CF-T&R R116
1	330	330	70240014	330-1/4W-5%-CF-T&R R117
1	8.2K	8.2K	70240049	8.2K-1/4W-5%-CF-T&R R118
1	100FP	100FP	70240096	100FP-1/4W-5%-FP-T&R R119
2	10K	10K	70240025	10K-1/4W-5%-CF-T&R R120, R121
1	18K	18K	70240028	18K-1/4W-5%-CF-T&R R122
1	1K	1K	70240017	1K-1/4W-5%-CF-T&R R123
1	2.7K	2.7K	70240021	2.7K-1/4W-5%-CF-T&R R124
1	1K	1K	70240017	1K-1/4W-5%-CF-T&R R125
1	100K	100K	70240034	100K-1/4W-5%-CF-T&R R126
1	1.5K	1.5K	70240018	1.5K-1/4W-5%-CF-T&R R127
1	400W5	400W5	70250062	400-5W-10%-MW-AXL R128
1	700W5	700W5	70250061	700-5W-10%-MW-AXL R129
1	47	47	70240008	47-1/4W-5%-CF-T&R R130
1	1.69KP1	1.69KP1	70241016	1.69K-1/4W-1%-MF-T&R R131
1	47K	47K	70240031	47K-1/4W-5%-CF-T&R R132
2	4.7FP	4.7FP	70240094	4.7FP-1/4W-10%-FP-T&R R133, R134
1	1.5K	1.5K	70240018	1.5K-1/4W-5%-CF-T&R R137
1	33K	33K	70240030	33K-1/4W-5%-CF-T&R R138
1	1.5K	1.5K	70240018	1.5K-1/4W-5%-CF-T&R R139
1	2.7K	2.7K	70240021	2.7K-1/4W-5%-CF-T&R R140
1	47K	47K	70240031	47K-1/4W-5%-CF-T&R R141
1	400W5	400W5	70250062	400-5W-10%-MW-AXL R200
1	700W5	700W5	70250061	700-5W-10%-MW-AXL R201
1	1.5K	1.5K	70240018	1.5K-1/4W-5%-CF-T&R R202
1	33K	33K	70240030	33K-1/4W-5%-CF-T&R R203
1	22K	22K	70240029	22K-1/4W-5%-CF-T&R R205
1	18K	18K	70240028	18K-1/4W-5%-CF-T&R R206
1	10K	10K	70240025	10K-1/4W-5%-CF-T&R R207
1	100K	100K	70240034	100K-1/4W-5%-CF-T&R R208
1	1.69KP1	1.69KP1	70241016	1.69K-1/4W-1%-MF-T&R R209
1	22	22	70240007	22-1/4W-5%-CF-T&R R210
1	8.2K	8.2K	70240049	8.2K-1/4W-5%-CF-T&R R211
1	100FP	100FP	70240096	100FP-1/4W-5%-FP-T&R R212
1	1M	1M	70240039	1M-1/4W-5%-CF-T&R R213
1	47K	47K	70240031	47K-1/4W-5%-CF-T&R R214
1	330	330	70240014	330-1/4W-5%-CF-T&R R215
1	100	100	70240010	100-1/4W-5%-CF-T&R R216
1	330	330	70240014	330-1/4W-5%-CF-T&R R217
1	8.2K	8.2K	70240049	8.2K-1/4W-5%-CF-T&R R218
1	100FP	100FP	70240096	100FP-1/4W-5%-FP-T&R R219
2	10K	10K	70240025	10K-1/4W-5%-CF-T&R R220, R221
1	18K	18K	70240028	18K-1/4W-5%-CF-T&R R222
1	1K	1K	70240017	1K-1/4W-5%-CF-T&R R223

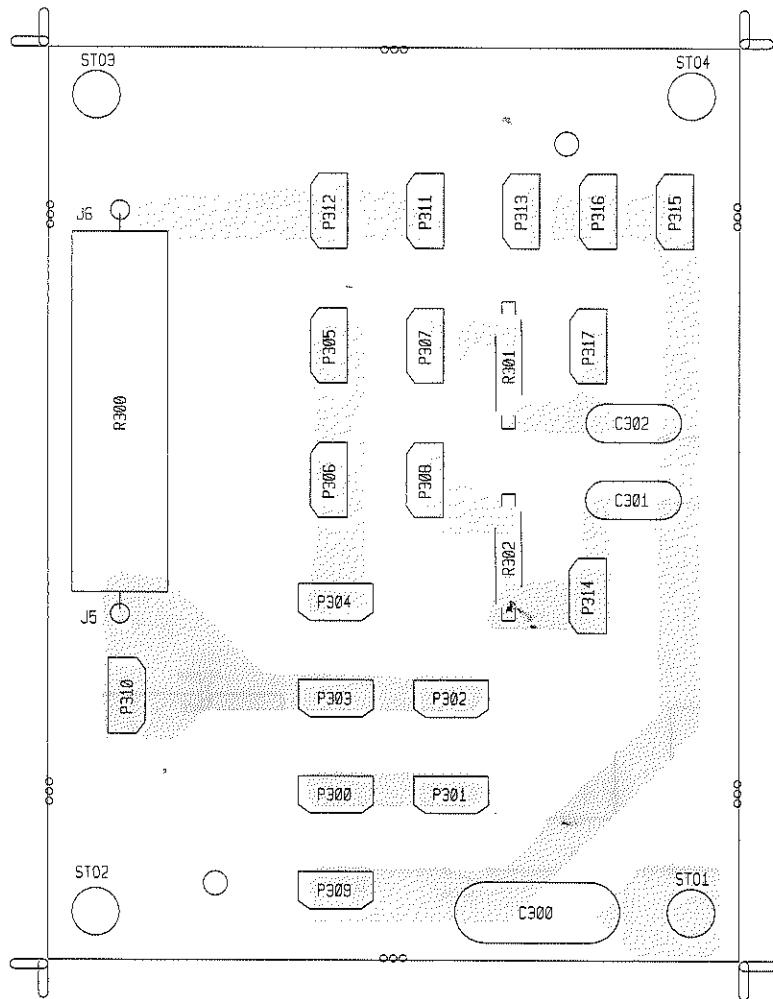
1	2.7K	2.7K	70240021	2.7K-1/4W-5%-CF-T&R R224
1	1K	1K	70240017	1K-1/4W-5%-CF-T&R R225
1	100K	100K	70240034	100K-1/4W-5%-CF-T&R R226
1	1.5K	1.5K	70240018	1.5K-1/4W-5%-CF-T&R R227
1	400W5	400W5	70250062	400-5W-10%-MW-AXL R228
1	700W5	700W5	70250061	700-5W-10%-MW-AXL R229
1	47	47	70240008	47-1/4W-5%-CF-T&R R230
1	1.69KP1	1.69KP1	70241016	1.69K-1/4W-1%-MF-T&R R231
1	47K	47K	70240031	47K-1/4W-5%-CF-T&R R232
2	4.7FP	4.7FP	70240094	4.7FP-1/4W-10%-FP-T&R R233, R234
1	1.5K	1.5K	70240018	1.5K-1/4W-5%-CF-T&R R237
1	33K	33K	70240030	33K-1/4W-5%-CF-T&R R238
2	10K	10K	70240025	10K-1/4W-5%-CF-T&R R239, R240
1	47K	47K	70240031	47K-1/4W-5%-CF-T&R R241
1	2.7K	2.7K	70240021	2.7K-1/4W-5%-CF-T&R R242
5	250SOW	70900785	70900785	SPACER, 1/4,R(#4),.187 SWAGE ALUM. SO1, SO2, SO3, SO4, SO5
4	SPX1U	SPX1U	73717003	1 STAKE PIN SP1, SP2, SP3, SP4
1	4560	4560	70414560	4560 DUAL OP AMP IC U100
1	13080	13080	70413080	LM3080N CUSTOM SELECTED U101
2	4560	4560	70414560	4560 DUAL OP AMP IC U102, U200
1	13080	13080	70413080	LM3080N CUSTOM SELECTED U201
1	4560	4560	70414560	4560 DUAL OP AMP IC U202



- ST02 — N/C
250S0W
- ST03 — N/C
250S0W
- ST04 — N/C
250S0W

NOTICE: THIS CIRCUITRY IS PROTECTED BY U.S. PATENT NO. 4,318,053 OWNED BY PEAVEY ELECTRONICS CORP. USE OR COPYING WITHOUT EXPRESS WRITTEN AUTHORITY FROM PEAVEY IS STRICTLY FORBIDDEN AND VIOLATORS WILL BE PROSECUTED TO THE FULLEST EXTENT ALLOWED UNDER U.S. PATENT LAWS.

PEAVEY ELECTRONICS CORP. 711 A STREET MERIDIAN, MISSISSIPPI 39301			
TITLE PV500 DOMESTIC AC BD.			
SIZE B PRINT	CODE	NUMBER 81500127	REV A
DATE 11-DEC-97		SHEET 1 OF 1	



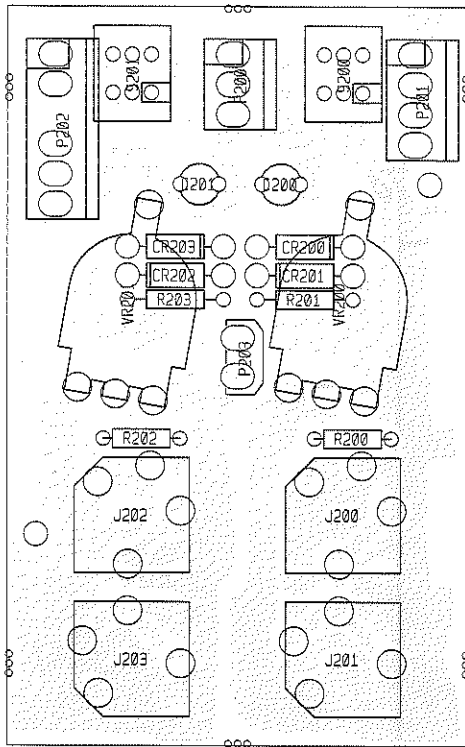
PV 500 DOMESTIC A. C.

BOARD NAME: PV5AC

** QTY.	PART NAME	VALUE	PART NUMBER	DESCRIPTION AND DEVICE DESIGNATIONS
1	.01DVLNP	.01DVLNP	70320104	.01 MFD 125VDC DVL MYLAR +0-20% C300
2	4700PFAC	4700PFAC	70320114	4700PF 400VAC EXP LINE CAP X C301, C302
2	FMP	FMP	73711811	M118-171 C.B. FEMALE MOLEX PIN J5, J6
18	SPD	73716194	73716194	.250 PC MNT SPADE .093 PCB P300, P301, P302, P303, P304, P305, P306, P307, P308, P309, P310, P311, P312, P313, P314, P315, P316, P317
1	400W15	400W15	70250013	400-15W-10%-WW-AXL R300
2	CL30	CL30	70240202	INRUSH CURRENT LIMITER R301, R302
4	250SOW	70900785	70900785	SPACER, 1/4,R(#4),.187 SWAGE ALUM. ST01, ST02, ST03, ST04

BOARD NAME: PV4C OTPT BD
 ASSEMBLY LEVEL NUMBER: 99371781

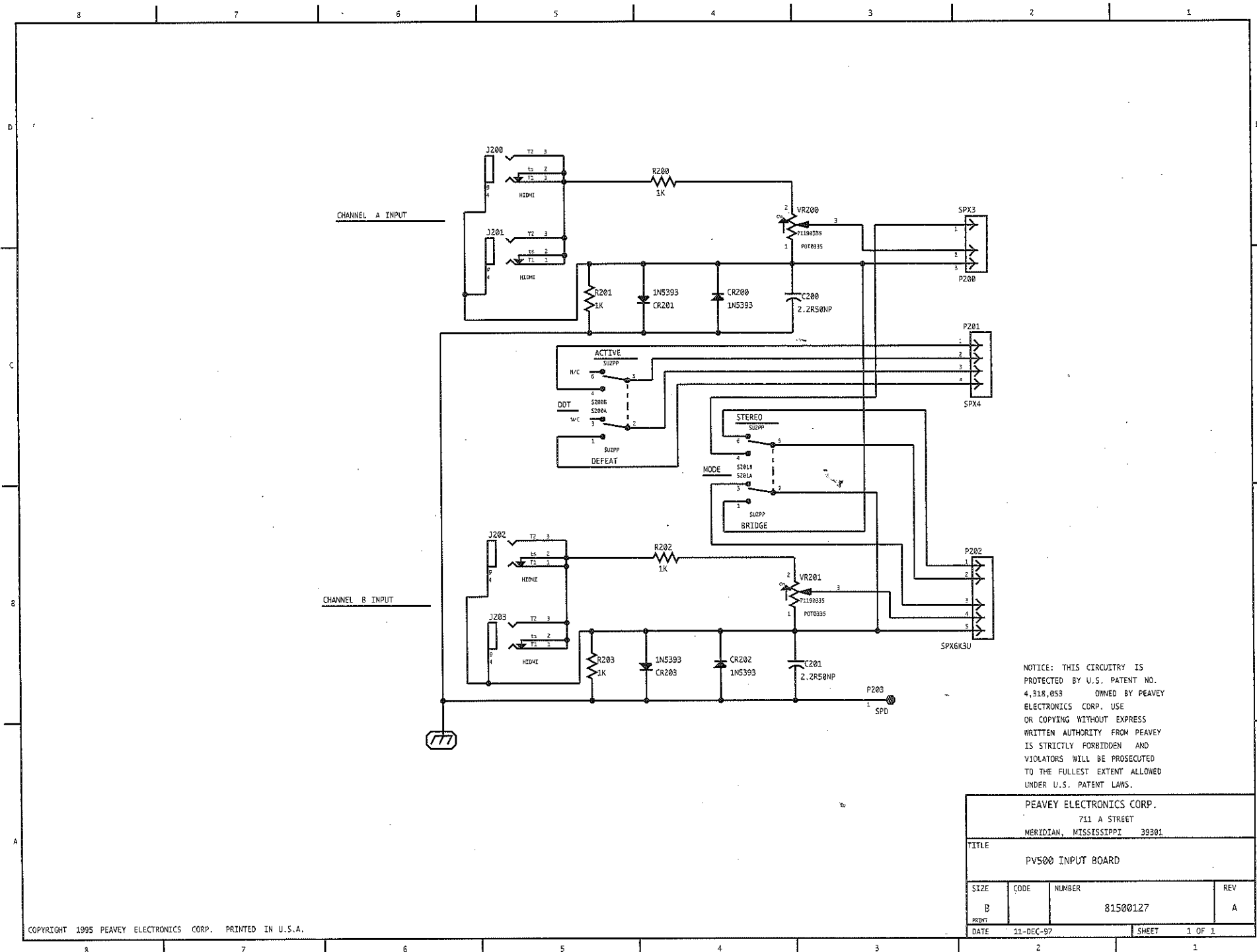
PART		DESCRIPTION AND								
* QTY.	NAME	VALUE	NUMBER	DEVICE DESIGNATIONS	*****					
1	LBRKT1	71500238	71500238	#74 L-BRACKET W/4-40 HOLE		2	83180	83180	70483180	SJ-83180 NPN 3A 180V TO-3 PWR TRANS Q100, Q101
1	3300R80	3300R80	70320132	3300MF - 20% - 80VDC - EL - R/S		2	73180	73180	70473180	SJ-73180 PNP 3A 180V TO-3 PWR TRANS Q102, Q103
1	.22R100M	.22R100M	70330007	.22 MFD 100VDC 5% MYLAR		2	83180	83180	70483180	SJ-83180 NPN 3A 180V TO-3 PWR TRANS Q200, Q201
1	.01CD	.01CD	70320248	.01MF-20%-1000VDC-CD-T&A		2	73180	73180	70473180	SJ-73180 PNP 3A 180V TO-3 PWR TRANS Q202, Q203
1	2.2A50NP	2.2A50NP	70320010	2.2MFD 20% 50V NP EL T&R		1	2KW5	2KW5	70250063	2K-5W-10%-WW-AXL R100
1	3300R80	3300R80	70320132	3300MF - 20% - 80VDC - EL - R/S		1	180	180	70240012	180-1/4W-5%-CF-T&R R101
1	.1BOX	.1BOX	70320086	.1 MFD 100VDC 10% BOX CAP		2	2.7K	2.7K	70240021	2.7K-1/4W-5%-CF-T&R R102, R103
1	3300R80	3300R80	70320132	3300MF - 20% - 80VDC - EL - R/S		2	.33W10	.33W10	70250011	.33-10W-10%-WW-AXL R104, R105
1	.22R100M	.22R100M	70330007	.22 MFD 100VDC 5% MYLAR		1	5.6W5	5.6W5	70250026	5.6-5W-10%-WW-AXL R106
1	.01CD	.01CD	70320248	.01MF-20%-1000VDC-CD-T&A		2	.33W10	.33W10	70250011	.33-10W-10%-WW-AXL R107, R108
1	2.2A50NP	2.2A50NP	70320010	2.2MFD 20% 50V NP EL T&R		1	2KW5	2KW5	70250063	2K-5W-10%-WW-AXL R109
1	3300R80	3300R80	70320132	3300MF - 20% - 80VDC - EL - R/S		1	47K	47K	70240031	47K-1/4W-5%-CF-T&R R110
1	.1BOX	.1BOX	70320086	.1 MFD 100VDC 10% BOX CAP		2	2.7K	2.7K	70240021	2.7K-1/4W-5%-CF-T&R R111, R112
4	CLIP1785	70901785	70901785	screw term, 6-32 - pcb mnt.		1	5.6W5	5.6W5	70250026	5.6-5W-10%-WW-AXL R113
1	13886	13886	70413886	SZ-13886-2 DUAL DIODE		1	2KW5	2KW5	70250063	2K-5W-10%-WW-AXL R200
1	MR502	MR502	70400502	MR502/1N5402 200V, 3A SILICON DIODE		1	180	180	70240012	180-1/4W-5%-CF-T&R R201
2	MR752CD	MR752CD	70400752	MR752/P600D 200V, 6A SIL DIODE -CATH DOWN		2	2.7K	2.7K	70240021	2.7K-1/4W-5%-CF-T&R R202, R203
1	SAC187	SAC187	70400187	SAC187 200V TO220 TRIAC		2	.33W10	.33W10	70250011	.33-10W-10%-WW-AXL R204, R205
1	SBS14	SBS14	70460014	SBS14 8V TO-92 BI-DIRECTIONAL SWITCH T&A		1	5.6W5	5.6W5	70250026	5.6-5W-10%-WW-AXL R206
1	MR502	MR502	70400502	MR502/1N5402 200V, 3A SILICON DIODE		2	.33W10	.33W10	70250011	.33-10W-10%-WW-AXL R207, R208
2	MR752CU	MR752CU	70400752	MR752/P600D 200V, 6A SIL DIODE -CATH UP		1	2KW5	2KW5	70250063	2K-5W-10%-WW-AXL R209
1	13886	13886	70413886	SZ-13886-2 DUAL DIODE		1	47K	47K	70240031	47K-1/4W-5%-CF-T&R R210
1	MR502	MR502	70400502	MR502/1N5402 200V, 3A SILICON DIODE		2	2.7K	2.7K	70240021	2.7K-1/4W-5%-CF-T&R R211, R212
2	MR752CD	MR752CD	70400752	MR752/P600D 200V, 6A SIL DIODE -CATH DOWN		1	5.6W5	5.6W5	70250026	5.6-5W-10%-WW-AXL R213
1	SAC187	SAC187	70400187	SAC187 200V TO220 TRIAC		*****				
1	SBS14	SBS14	70460014	SBS14 8V TO-92 BI-DIRECTIONAL SWITCH T&A						
1	MR502	MR502	70400502	MR502/1N5402 200V, 3A SILICON DIODE						
2	MR752CU	MR752CU	70400752	MR752/P600D 200V, 6A SIL DIODE -CATH UP						
1	HS1466	98001466	98001466	204S HT/SNK						
5	SPD	73716194	73716194	.250 PC MNT SPADE .093 PCB						
2	MMP	MMP	73711812	R93-12 PN C.B. MALE MOLEX PIN						
5	SPD	73716194	73716194	.250 PC MNT SPADE .093 PCB						
2	MMP	MMP	73711812	R93-12 PN C.B. MALE MOLEX PIN						
2	.8MH	.8MH	70519917	.8MH AIR CORE COIL / CS1200						
2	SPX10	SPX10	XXXXXXXX	10 EACH OF STAKE PINS						



BOARD NAME: PV5IN

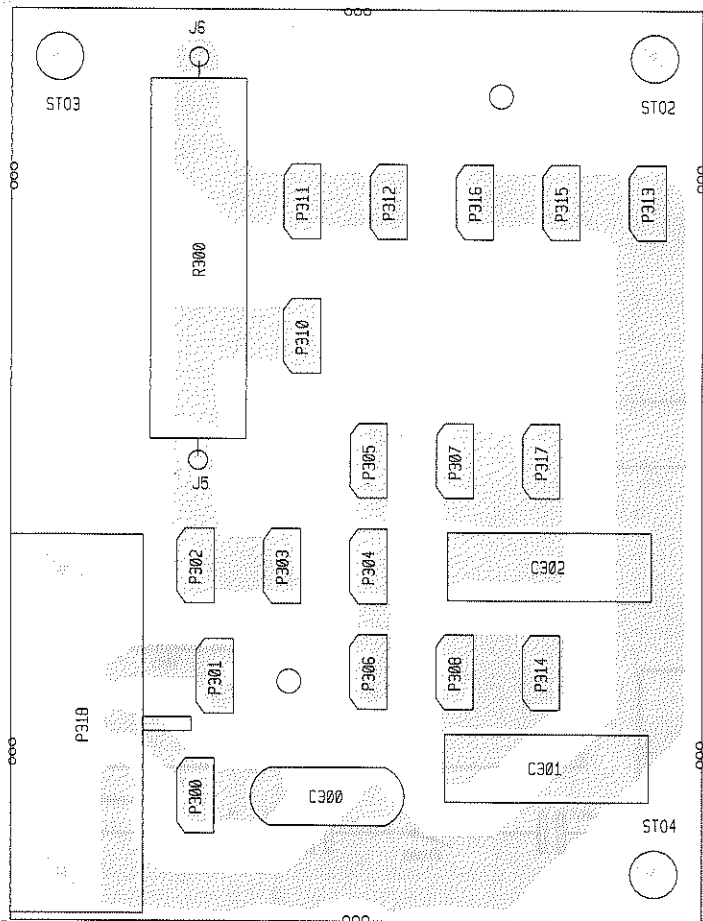
** QTY.	NAME	VALUE	PART NUMBER	DESCRIPTION AND DEVICE DESIGNATIONS *****
2	2.2R50NP	2.2R50NP	70320184	2.2MF--20%--50VDC-NP-T&A C200, C201
4	1N5393	5393	70465393	1N5393-RL 200V, 1.5, 5% DIODE -T&R CR200, CR201, CR202, CR203
4	HIDMI	71466215	71466215	2 TIP HID JACK INSU W/SPD J200, J201, J202, J203
1	SPX3	SPX3	XXXXSPX3	3 EACH OF STAKE PINS P200
1	SPX4	SPX4	XXXXXXXXXX	4 EACH OF STAKE PINS P201
1	SPX6K3U	SPX6K3U	XXXXXXXXXX	5 EACH OF STAKE PINS P202
1	SPD	73716194	73716194	.250 PC MNT SPADE .093 PCB P203
4	1K	1K	70240017	1K--1/4W-5%--CF-T&R R200, R201, R202, R203
2	SUZPP	SUZPP	71322251	SUZ P/P SWITCH PC MOUNT S200, S201
2	POT0335	71190335	71190335	50K LIN METRIC SPIDER 1MM VR200, VR201

PV500C Input



NOTICE: THIS CIRCUITRY IS PROTECTED BY U.S. PATENT NO. 4,318,053 OWNED BY PEAVEY ELECTRONICS CORP. USE OR COPYING WITHOUT EXPRESS WRITTEN AUTHORITY FROM PEAVEY IS STRICTLY FORBIDDEN AND VIOLATORS WILL BE PROSECUTED TO THE FULLEST EXTENT ALLOWED UNDER U.S. PATENT LAWS.

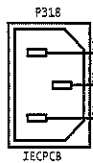
PEAVEY ELECTRONICS CORP. 711 A STREET MERIDIAN, MISSISSIPPI 39301			
TITLE PV500 INPUT BOARD			
SIZE B	CODE	NUMBER 81500127	REV A
DATE 11-DEC-97	SHEET		1 OF 1



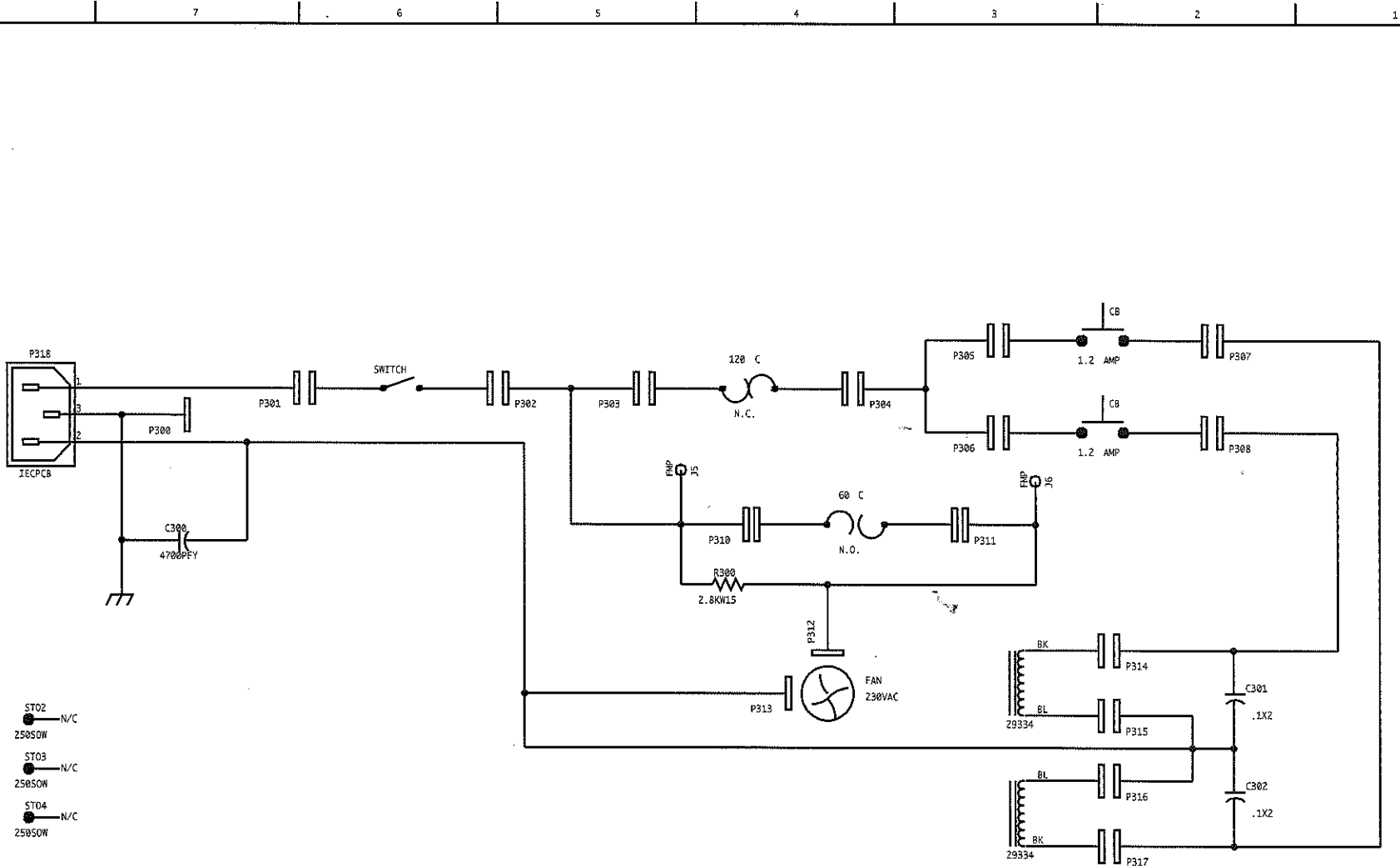
PV500 EXPORT AC

BOARD NAME: PV5EXAC

** QTY.	NAME	VALUE	PART NUMBER	DESCRIPTION AND DEVICE DESIGNATIONS
1	4700PFY	4700PFY	70320125	4700PF, 400VAC EXP LINE CAP Y C300
2	.1X2	70320298	70320298	.1MF 250VAC X2 20% C301, C302
2	FMP	FMP	73711811	M118-171 C.B. FEMALE MOLEX PIN J5, J6
17	SPD	73716194	73716194	.250 PC MNT SPADE .093 PCB P300, P301, P302, P303, P304, P305, P306, P307, P308, P310, P311, P312, P313, P314, P315, P316, P317
1	IECPCB	70901257	70901257	IEC POWER INLET R/A PCB MT. P318
1	2.8KW15	2.8KW15	70250082	2800 15W 10% WW AXL R300
3	250SOW	70900785	70900785	SPACER, 1/4,R(#4),.187 SWAGE ALUM. ST02, ST03, ST04



- ST02 N/C
250S0W
- ST03 N/C
250S0W
- ST04 N/C
250S0W



NOTICE: THIS CIRCUITRY IS PROTECTED BY U.S. PATENT NO. 4,318,053 OWNED BY PEAVEY ELECTRONICS CORP. USE OR COPYING WITHOUT EXPRESS WRITTEN AUTHORITY FROM PEAVEY IS STRICTLY FORBIDDEN AND VIOLATORS WILL BE PROSECUTED TO THE FULLEST EXTENT ALLOWED UNDER U.S. PATENT LAWS.

PEAVEY ELECTRONICS CORP. 711 A STREET MERIDIAN, MISSISSIPPI 39301			
TITLE PVS00 EXPORT AC BD.			
SIZE B	CODE	NUMBER 81500127	REV A
DATE 11-DEC-97		SHEET 1 OF 1	