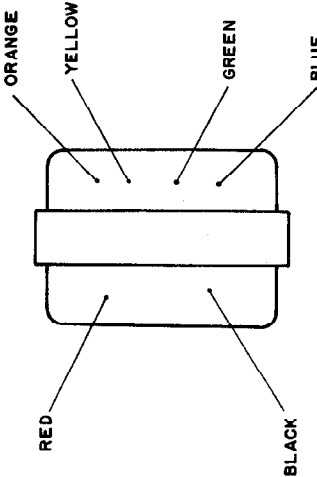


DRIVER TRANSFORMER
70500298
DC 298



PACER A-SERIES
P/N 81501235

SEMI-CONDUCTOR CROSS-REFERENCE LIST

- 953 — 2N 3391
- 4249 — 2N 4249
- 558 — 2N 5458
- EP-430 — TIP 31C
- 62792 — 2N 3055

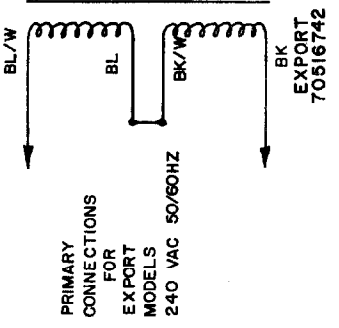
NOTE

- ALL TRANSISTORS SFS 953 UNLESS NOTED
- ALL RESISTORS 1/2 W UNLESS NOTED
- ALL CAPACITORS IN MFD UNLESS NOTED
- ALL DIODES 1A/200V PIV UNLESS NOTED

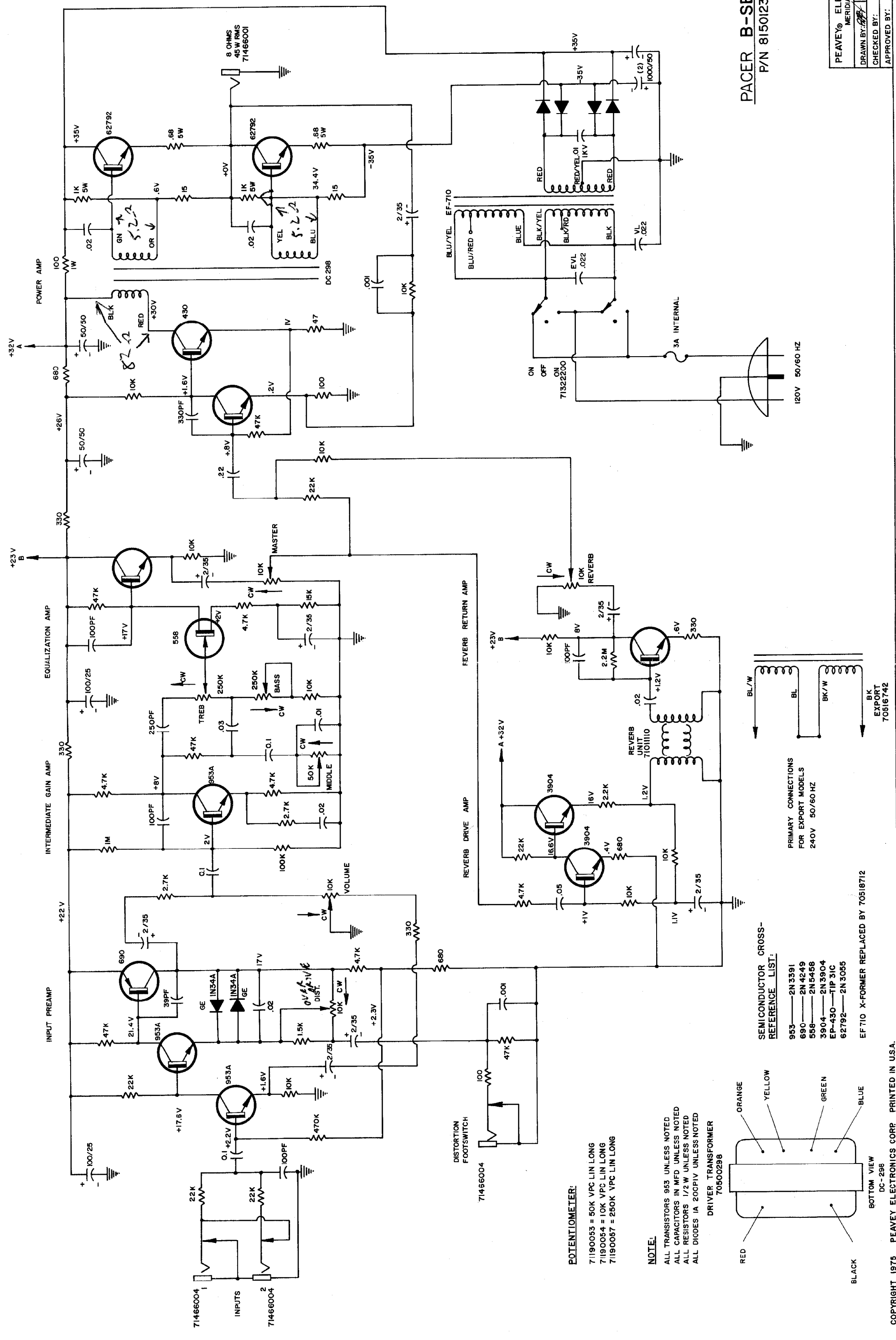
POTENTIOMETERS

- 71190013 = 50K VPC LIN
- 71190015 = 250K VPC LIN
- 71190016 = 10K VPC LIN

PRIMARY CONNECTIONS FOR EXPORT MODELS



PACER B-SERIES
 P/N 81501235



POTENTIOMETER:
 71190053 = 50K VPC LIN LONG
 71190054 = 10K VPC LIN LONG
 71190057 = 250K VPC LIN LONG

NOTE:
 ALL TRANSISTORS 953 UNLESS NOTED
 ALL CAPACITORS IN MFD UNLESS NOTED
 ALL RESISTORS 1/2 W UNLESS NOTED
 ALL DIODES 1A 200PIV UNLESS NOTED

DRIVER TRANSFORMER
 70500298

