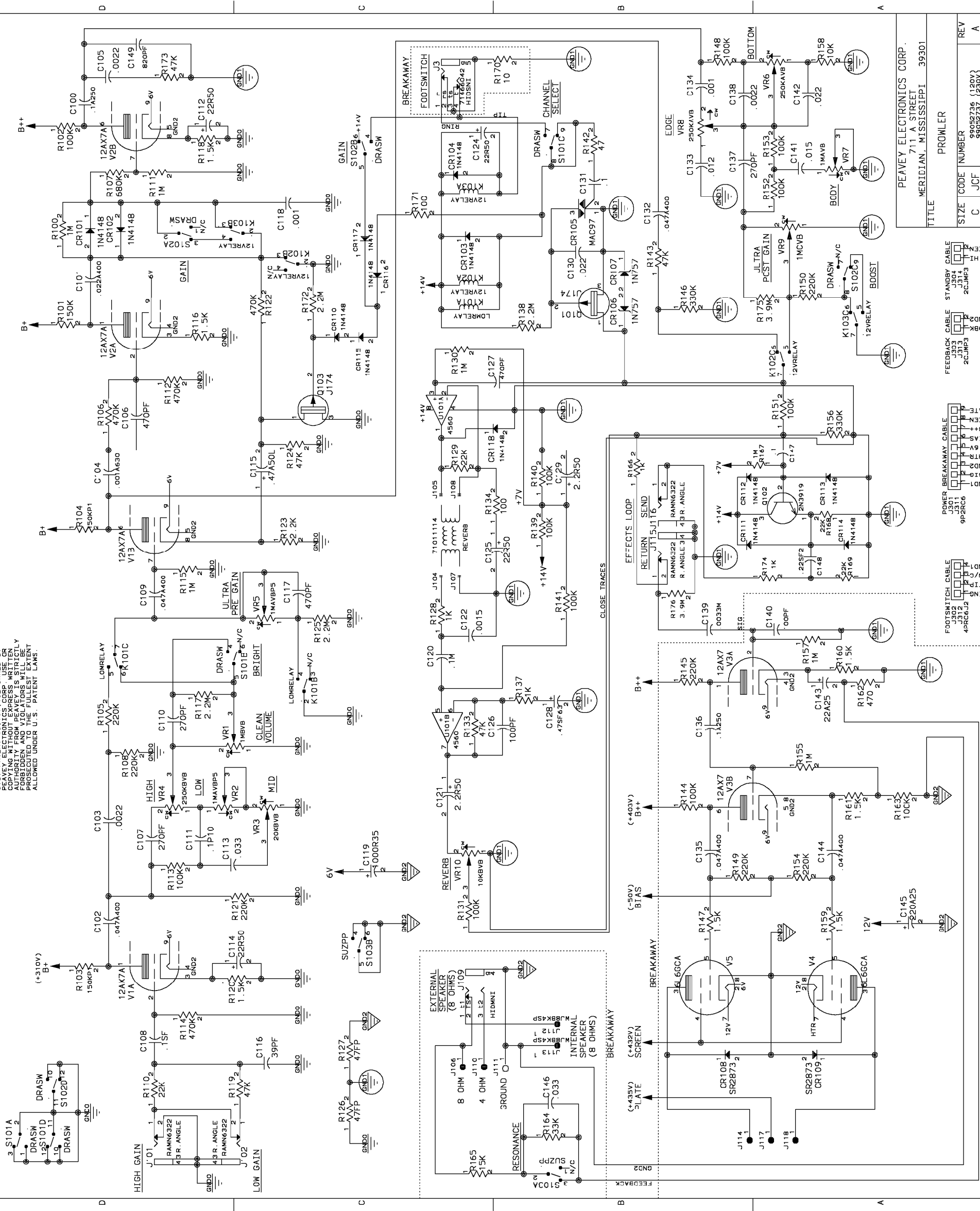


NOTICE: THIS CIRCUITRY IS PROTECTED BY PEAVEY ELECTRONICS CORP. ANY REPRODUCTION OR COPYING WITHOUT EXPRESS WRITTEN PERMISSION FROM PEAVEY ELECTRONICS CORP. IS PROHIBITED AND VIOLATORS WILL BE PROSECUTED TO THE FULLEST EXTENT ALLOWED UNDER U.S. PATENT LAWS.



PEAVEY ELECTRONICS CORP.
711 A STREET
MERIDIAN, MISSISSIPPI 39301

TITLE
PROWLER

SIZE CODE
C JCF

NUMBER
99052736 (120V)
99052737 (230V)

REV
A

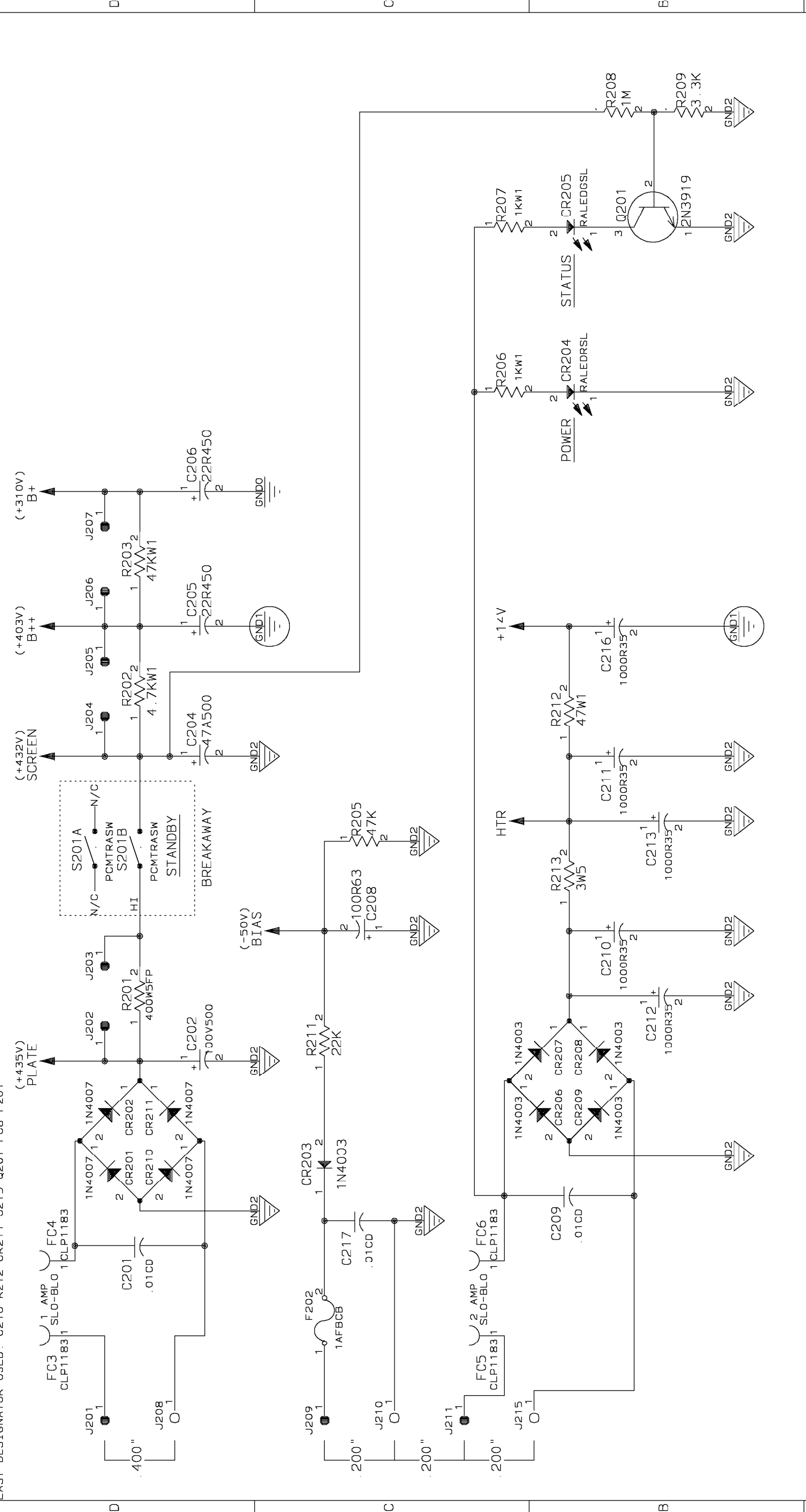
DATE 23-OCT-2001

SHEET 1 OF 1

POWER BREAKAWAY CABLE
J301
J302
9P2RC6

FEEDBACK CABLE
J303
J313
2CJMF3

STANDBY CABLE
J304
J314
2CJMF3



DOMY/100V : 3A FST-BLO
230V : 2A FST-BLO

UNIVERSAL PRIMARY BREAKAWAY

J212 H G N IECPCB

FC1 1 CLP1183
FC2 1 CLP1183

S202A PCMTRASW

R210 CL30

C214* .01DVLNP
C215* .01DVLNP

J213 1
J214 1

TO PRIMARY

S202B N/C PCMTRASW

*** NOTE:**
DOMESTIC AND 100V UNITS AS SHOWN.
FOR EXPORT UNITS, C214 & C215 ARE
NOT INSERTED.

" COMPANY PROPRIETARY INFORMATION "

PEAVEY ELECTRONICS CORP.
711 A STREET
MERIDIAN, MISSISSIPPI 39301

TITLE PROWLER POWER SUPPLY

SIZE	CODE	NUMBER	REV
B	JCF	99052736 (120V) 99052737 (230V)	A

DATE 23-OCT-2001 SHEET 1 OF 1

BILL OF MATERIALS REPORT

BOARD NAME: PROWLER REPORT DATE: 15NOV99
 ASSEMBLY LEVEL NUMBER: 99052736-37
 PROJECT NUMBER: P9800012

CBDS

PART PART DESCRIPTION AND
 ** QTY. NAME VALUE NUMBER DEVICE DESIGNATIONS *****

- 1 98852730 98852730 98852730 PCB
- 2 .001 .001 70340000 .001MF----10%----50VDC----MON----T&R
 C118, C134
- 1 .0015 .0015 70340002 .0015MF---10%----50VDC----T/C----T&R
 C122
- 1 .001A630 .001A630 70320281 .001MF--630V--T&R--CAP
 C104
- 3 .0022 .0022 70340004 .0022MF---10%----50VDC----T/C----T&R
 C103, C105, C138
- 1 .0033M .0033M 70330130 .0033M 5% 50vdc my T&A
 C139
- 1 .012 .012 70340009 .012MF----10%----50VDC----T/C----T&R
 C133
- 1 .015 .015 70340010 .015MF----10%----50VDC----T/C----T&R
 C141
- 3 .01CD .01CD 70320248 .01MF----20%---1000VDC---CD--T&A
 C201, C209, C217
- 2 .01DVLNP .01DVLNP 70320104 .01 MFD 125VDC DVL MYLAR +0-20%
 C214, C215
- 2 .022 .022 70340012 .022MF----10%----50VDC----MON----T&R
 C130, C142
- 1 .022A400 .022A400 70320283 .022MF--400V--T&R--CAP
 C101
- 2 .033 .033 70340014 .033MF----10%----50VDC----MON----T&R
 C113, C146
- 5 .047A400 .047A400 70320105 .047MFD 450 VOLT T&R CAP
 C102, C109, C132, C135, C144
- 2 .1 .1 70340100 .1MF----+80-20%--50VDC----AXL----T&R
 C131, C147
- 2 .1A250 .1A250 70320334 .1MFD 250 VOLT T&R CAP

C100, C136

1 .1M .1M 70330129 .1M 5% 50vdc my T&A
C120

1 .1P10 .1P10 70340101 .1MF-----10%----50VDC----MON----T&R
C111

1 .1SF .1SF 70330113 0.10 MFD 10% 100V STCK FILM T&A
C108

1 .22SF2 .22SF2 70330114 0.22 MF 5% 100V STCK FILM t&a
C148

1 .47A50L .47A50L 70340063 .47MFD 50V LOW LEAKAGE
C115

1 .47SF63 .47SF63 70330159 .047 MF 63V STACK FILM T&A
C128

7 1.5K 1.5K 70240018 1.5K--1/4W--5%----CF--T&R
R116, R118, R120, R147, R159, R160, R161

1 10 10 70240003 10----1/4W--5%----CF--T&R
R170

2 100 100 70240010 100---1/4W--5%----CF--T&R
R134, R171

6 1000R35 1000R35 70320186 1000MF----20%----35VDC--EL--T&A
C119, C210, C211, C212, C213, C216

12 100K 100K 70240034 100K--1/4W--5%----CF--T&R
R102, R113, R131, R139, R140, R141,
R144, R148, R151, R152, R153, R163

2 100PF 100PF 70340054 100PF-----10%----50VDC----T/C----T&R
C126, C140

1 100R63 100R63 70320264 100MF----20%----63VDC---EL--T&A
C208

1 100V500 100V500 70320337 100MFD - +/-20% - 500VDC - EL - R/S
C202

1 10K 10K 70240025 10K---1/4W--5%----CF--T&R
R158

1 10KBVB 71190510 71190510 10K LIN MIN VPC W/BRACKET
VR10

2 125SOW 70900788 70900788 SPACER, 1/8,R(#4),.187 SWAGE ALUM.
S013, S014

1 12AX7 12AX7 70806612 12AX7 VACUUM TUBE W/9 PIN PC MNT SOCKET
V3

2 12AX7A 12AX7A 70806612 12AX7 VACUUM TUBE W/70806614 BOT ENTRY SKT
V1, V2

2 12VRELAY 71322277 71322277 DPDT OMRON RELAY 12VDC
K102, K103

1 150K 150K 70240035 150K--1/4W--5%---CF--T&R
R101

2 150KP1 150KP1 70241035 150K--1/4W--1%---MF--T&R
R103, R104

1 15K 15K 70240027 15K---1/4W--5%---CF--T&R
R165

1 1AFBCB 1AFBCB 70901244 1A FUSE 5X15MM T&R
F202

4 1K 1K 70240017 1K----1/4W--5%---CF--T&R
R128, R137, R166, R174

2 1KW1 1KW1 70210000 1K----1W----5%---MO--T&R
R206, R207

8 1M 1M 70240039 1M----1/4W--5%---CF--T&R
R100, R111, R115, R130, R155, R157,
R167, R208

1 1MAVB 71190516 71190516 1 MEG AUD MIN VPC 20% W/BRKT
VR7

2 1MAVBP5 71190522 71190522 1 MEG AUD MIN VPC 5% TAPER W/BRKT
VR2, VR5

1 1MBVB 71190535 71190535 1 MEG LIN MIN VPC W/BRKT
VR1

1 1MCVB 71190505 71190505 1 MEG RAUD MIN VPC 20% TAPER W/BRKT
VR9

5 1N4003 1N4003 70464003 1N4003 200V SILICON DIODE
CR203, CR206, CR207, CR208, CR209

4 1N4007 1N4007 70464007 1N4007 1KV, 1A, SILICON DIODE
CR201, CR202, CR210, CR211

13 1N4148 4148 70464148 1N4148 75V 10MA SILICON DIODE
CR101, CR102, CR103, CR104, CR110,
CR111, CR112, CR113, CR114, CR115,

CR116, CR117, CR118

2 1N757 1N757 70400757 1N757A 9.1V 5% ZENER DIODE
CR106, CR107

1 2.2K 2.2K 70240020 2.2K--1/4W--5%----CF--T&R
R123

4 2.2M 2.2M 70240040 2.2M--1/4W--5%----CF--T&R
R117, R125, R138, R172

2 2.2R50 2.2R50 70320180 2.2MF-----20%----50VDC---EL--T&A
C121, C129

1 20KBVB 71190518 71190518 20K LIN MIN VPC W/BRACKET
VR3

1 220A25 220A25 70320102 220 MFD 25VDC LYTIC CAP
C145

7 220K 220K 70240036 220K--1/4W--5%----CF--T&R
R105, R108, R121, R145, R149, R150, R154

1 22A25 22A25 70320012 22MFD +/-20% 25VDC EL AXL
C143

5 22K 22K 70240029 22K---1/4W--5%----CF--T&R
R110, R129, R168, R169, R211

2 22R450 22R450 70320339 22R450---20%----450VDC--POL--R/W
C205, C206

4 22R50 22R50 70320181 22MF-----20%----50VDC---EL--T&A
C112, C114, C124, C125

2 250KAVB 71190514 71190514 250K AUD MIN VPC W/BRACKET
VR6, VR8

1 250KBVB 71190515 71190515 250K LIN MIN VPC W/BRACKET
VR4

8 250STW 70901856 70901856 SPCR, 1/4,R(#4), 187 SW,AT.
S01, SO2, SO3, SO4, SO5, SO6, SO7, SO8

3 270PF 270PF 70340057 270PF-----10%----50VDC----T/C----T&R
C107, C110, C137

4 2CJMP3 70600036 70600036 2C PRE-TIN .156-3" JUMPER
J303, J304, J313, J314

2 2N3919 3919 70463919 SKA-3919 TO92 NPN TRANS T&A
Q102, Q201

1 3.3K 3.3K 70240022 3.3K--1/4W--5%----CF--T&R
 R209

2 3.9M 3.9M 70240064 3.9M--1/4W--5%----CF--T&R
 R175, R176

2 330K 330K 70240037 330K--1/4W--5%----CF--T&R
 R146, R156

1 33K 33K 70240030 33K---1/4W--5%----CF--T&R
 R164

1 39PF 39PF 70340052 39PF-----50VDC----T/C----T&R
 C116

1 3W5 3W5 70250041 3--5W--10%--WW--AXL
 R213

1 4.7KW1 4.7KW1 70210006 4700--1W----5%----MO--T&R
 R202

1 400W5FP 400W5FP 70250020 400--5W--10%--FP--AXL
 R201

1 4560 4560 70414560 4560 DUAL OP AMP IC
 U101

1 47 47 70240008 47----1/4W--5%----CF--T&R
 R142

1 470 470 70240015 470---1/4W--5%----CF--T&R
 R162

4 470K 470K 70240038 470K--1/4W--5%----CF--T&R
 R106, R112, R114, R122

3 470PF 470PF 70340058 470PF-----10%----50VDC----T/C----T&R
 C106, C117, C127

1 47A500 47A500 70320005 47MF 500VDC ELECTROLYTIC -AXIAL
 C204

2 47FP 47FP 70240090 47FP--1/4W--5%----FP--T&R
 R126, R127

6 47K 47K 70240031 47K---1/4W--5%----CF--T&R
 R119, R124, R133, R143, R173, R205

1 47KW1 47KW1 70210004 47K---1W----5%----MO--T&R
 R203

1 47W1 47W1 70210011 47---1W----5%----MO--T&R

R212

2 4PRC6J2 4PRC6J2 70600049 4C PRE-TIN .100 CTR 6" JUMPER (SPLIT VERSION)

J302, J312

4 500STW 70901859 70901859 SPCR,R,TA-40X1/2,SW,AL,ST

S015, SO16, SO17, SO18

1 680K 680K 70240065 680K----1/4W--5%----CF--T&R

R107

2 6L6GCA 6L6GCA 70806604 6L6GC VAC TUBE W/INS SOCKET 70806627

V4, V5

1 820PF 820PF 70340062 820PF-----10%----50VDC----T/C----T&R

C149

3 937STW 70901853 70901853 SPCR,R,T,T-40,15/16,SW,A,S

SO9, SO10, SO19

2 9P2RC6 70600518 70600518 9C--PRE-TIN--.200 CTR---6" JMPR

J301, J311

1 CL30 CL30 70240202 INRUSH CURRENT LIMITER

R210

6 CLP1183 CLP1183 70901183 FUSECLIP, PC MT - T&A

FC1, FC2, FC3, FC4, FC5, FC6

2 DRASW DRASW 71322256 PC MNT SWITCH DUAL

S101, S102

1 FMPD 73711811 73711811 M118-171 C.B. FEMALE MOLEX PIN

J111

3 FMPU 73711811 73711811 M118-171 C.B. FEMALE MOLEX PIN

J208, J210, J215

1 HIDMNI 71466214 71466214 2 TIP HID JACK NINS W/SPD

J109

1 HIDSNI 71466217 71466217 STEREO HID JACK NINS W/SPD

J3

1 IECPCB 70901257 70901257 IEC POWER INLET R/A PCB MT.

J212

2 J174 J174 70460174 J-174 30V TO-92 P-CHAN FET T&A

Q101, Q103

19 J325 J 70600005 22GA JUMPER WIRES T&R

JP300, JP301, JP302, JP303, JP304,
JP305, JP306, JP307, JP308, JP309,

JP310, JP311, JP312, JP313, JP314,
 JP315, JP316, JP317, JP318,
 2 J35 J 70600005 22GA JUMPER WIRES T&R
 JP350, JP351,
 25 J4 J 70600005 22GA JUMPER WIRES T&R
 JP400, JP401, JP402, JP403, JP404,
 JP405, JP406, JP407, JP408, JP409,
 JP410, JP411, JP412, JP413, JP414,
 JP415, JP416, JP417, JP418, JP419,
 JP425, JP426, JP427,
 JP430, JP431,
 18 J5 J 70600005 22GA JUMPER WIRES T&R
 JP500, JP501, JP502, JP504,
 JP505, JP506, JP507, JP508, JP509,
 JP510, JP511, JP512, JP513, JP514,
 JP515, JP525, JP526, JP527,
 9 J6 J 70600005 22GA JUMPER WIRES T&R
 JP600, JP601, JP602, JP603, JP604,
 JP605, JP608, JP609,
 JP610,
 3 J7 J 70600005 22GA JUMPER WIRES T&R
 JP700, JP701,
 JP705,
 14 J8 J 70600005 22GA JUMPER WIRES T&R
 JP800, JP801, JP802, JP803, JP804,
 JP805, JP806, JP807, JP808, JP809,
 JP811, JP812, JP813, JP814,
 2 LBRKT1 71500238 71500238 #74 L-BRACKET W/4-40 HOLE
 S012, S011
 1 LOMRELAY 71322378 71322378 RELAY, 12V DPDT - LO MIC
 K101
 1 MAC97 MAC97 70460097 MAC97-6 400V .6A TO-92 TRIAC T&A
 CR105
 2 MMPD 73711812 73711812 R93-12 PN C.B. MALE MOLEX PIN
 J106, J110
 9 MMPU 73711812 73711812 R93-12 PN C.B. MALE MOLEX PIN
 J201, J202, J203, J204, J205, J206,
 J207, J209, J211
 2 PCMTRASW PCMTRASW 71322377 PC MOUNT PIGHT ANGLE POWER SWITCH
 S201, S202
 1 RALEDGSL RALEDGSL 70450054 LED, T-1, GRN, W/STOPPER LEAD T&A
 CR205
 1 RALEDRSL RALEDRSL 70450053 LED, T-1, RED, W/STOPPER LEAD T&A

CR204

4 RAMN6322 71466322 71466322 JACK MONO R/A 1/4" 6.5MM NINS

J101, J102, J115, J116

2 SPDU 73716194 73716194 .250 PC MNT SPADE .093 PCB

J213, J214

3 SPX1 SPX1 73717003 1 STAKE PIN

J114, J117, J118

4 SPX1D SPX1D 73717003 1 STAKE PIN

J104, J105, J107, J108

2 SR2873 SR2873 70402873 SR2873 2KV, 250MA SILICON DIODE

CR108, CR109

1 SUZPP SUZPP 71322251 SUZ P/P SWITCH PC MOUNT

S103

2 WJ8BK4SP WJ8BK4SP 91090271 BK-18G-4"-CPT-250SPD/RA

J112, J113

* END OF BILL OF MATERIALS REPORT *
