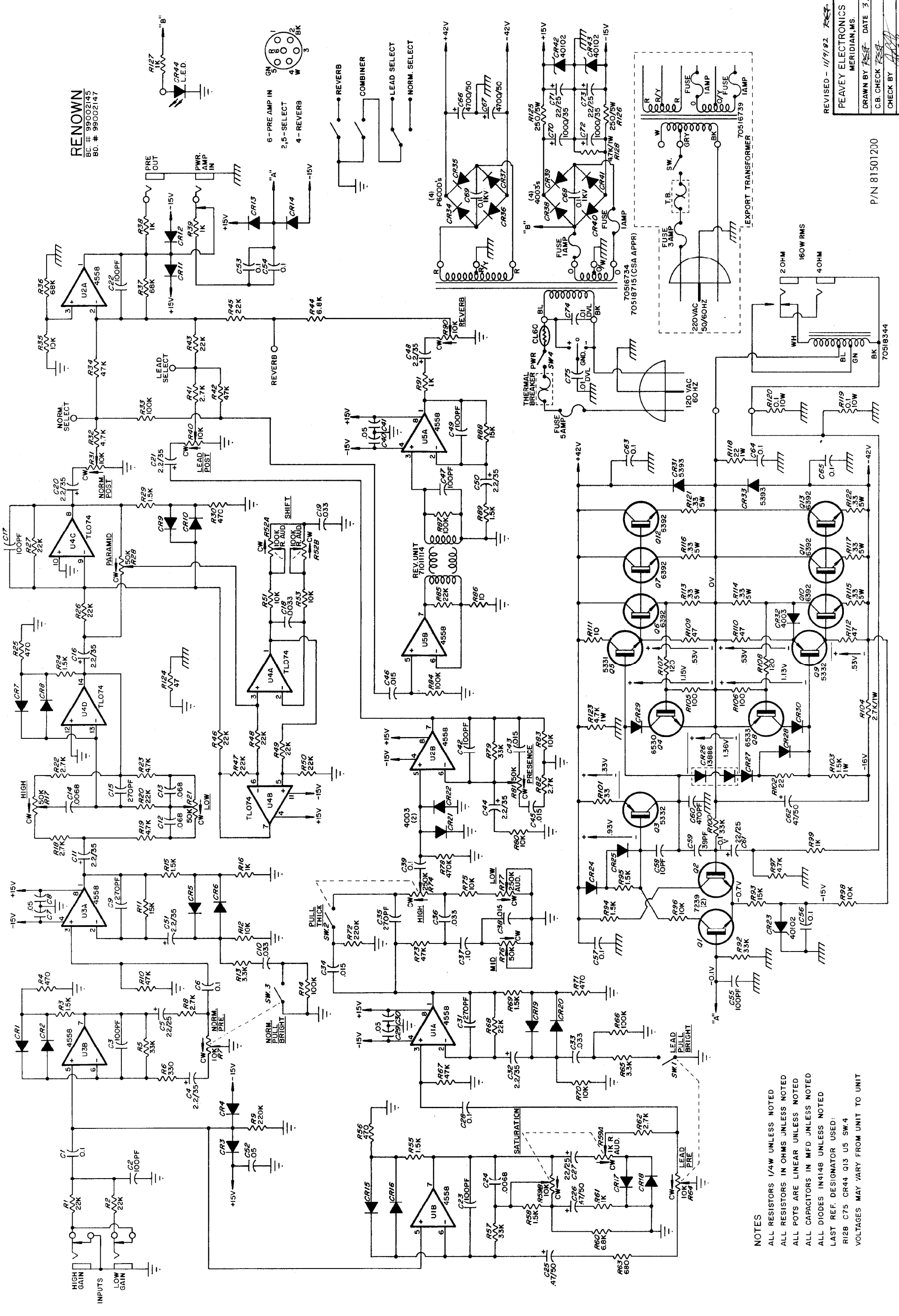


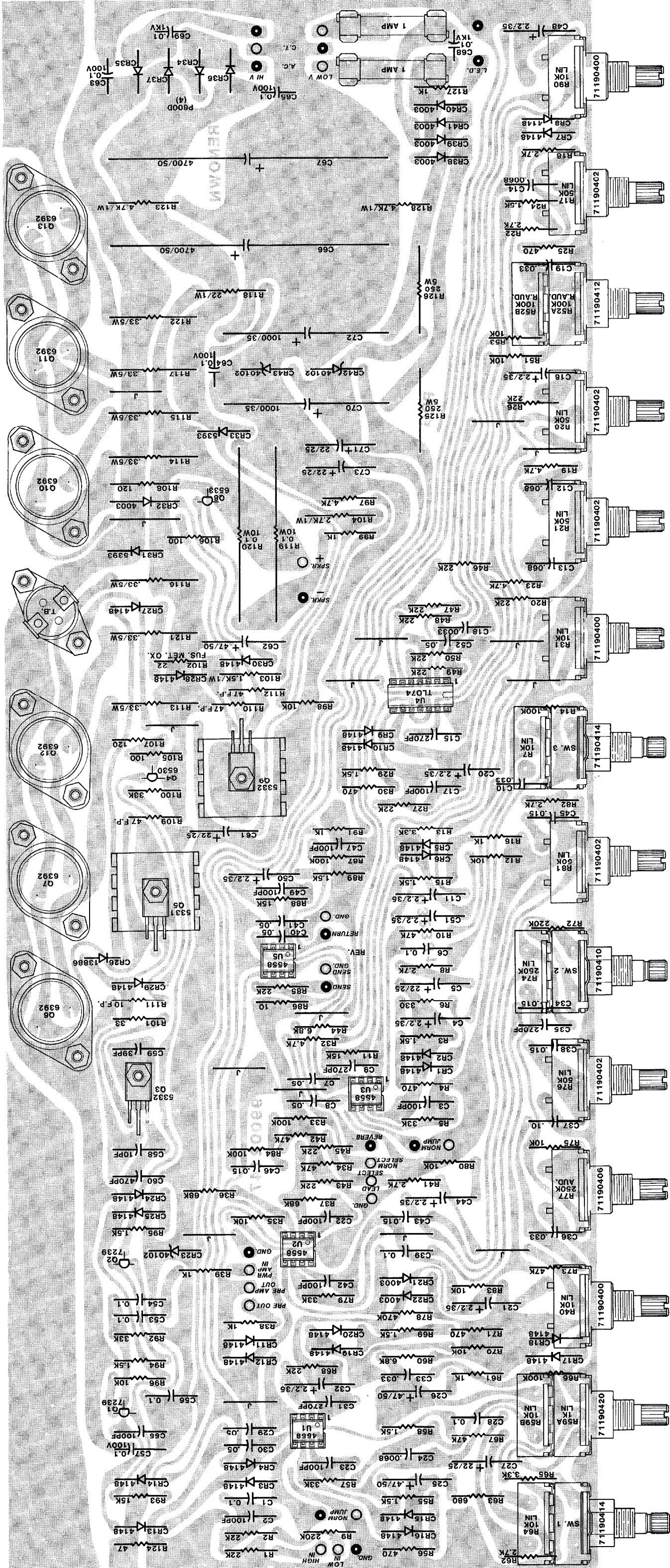
**RENOVN**  
 BC # 99002145  
 BO # 99002147



**NOTES**  
 ALL RESISTORS 1/4W UNLESS NOTED  
 ALL RESISTORS IN OHMS UNLESS NOTED  
 ALL POTS ARE LINEAR UNLESS NOTED  
 ALL CAPACITORS IN MFD UNLESS NOTED  
 ALL DIODES IN4148 UNLESS NOTED  
 LAST REF. DESIGNATOR USED:  
 R128 C75 CR44 Q13 U5 SW.4  
 VOLTAGES MAY VARY FROM UNIT TO UNIT

REVISED - 11/1/82  
 PEAVEY ELECTRONICS CORP.  
 MERIDIAN, MS.  
 DRAWN BY  
 C.B. CHECK  
 DATE 3/1/81  
 CHECK BY  
 APPR. BY

P/N 81501200



REVERSE MASTER  
 HIGH  
 SHIFT  
 PARAMID  
 LOW  
 POST  
 PRE/PULL BRIGHT  
 PRESENCE  
 HIGH/PULL THICK  
 MID  
 LOW  
 POST  
 SATURATION  
 PRE/PULL BRIGHT

EQUALIZATION  
 EQUALIZATION  
 NORM. GAIN  
 EQUALIZATION  
 LEAD GAIN

RENOVA

PINS: ● - MALE, ○ - FEMALE