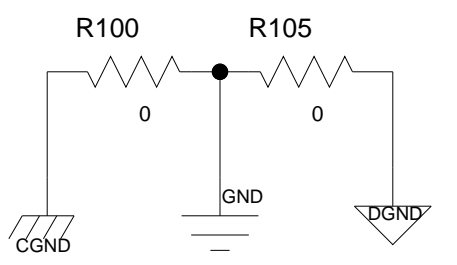
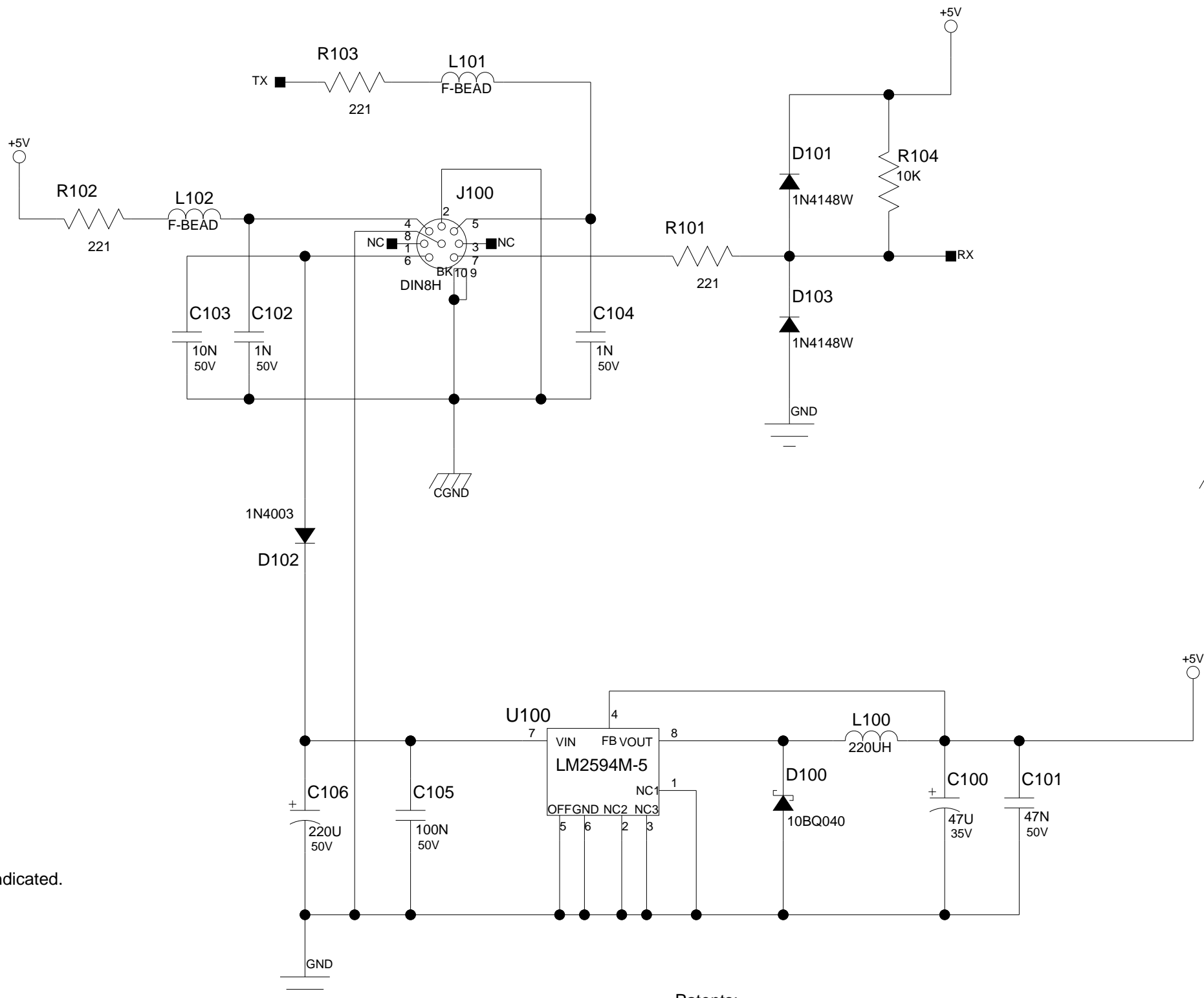


REV	Eng	Date:	Revision Description	ECN#
A				
B				
C				
D				
E				
F				

### INDEX

SHEET	DESCRIPTION



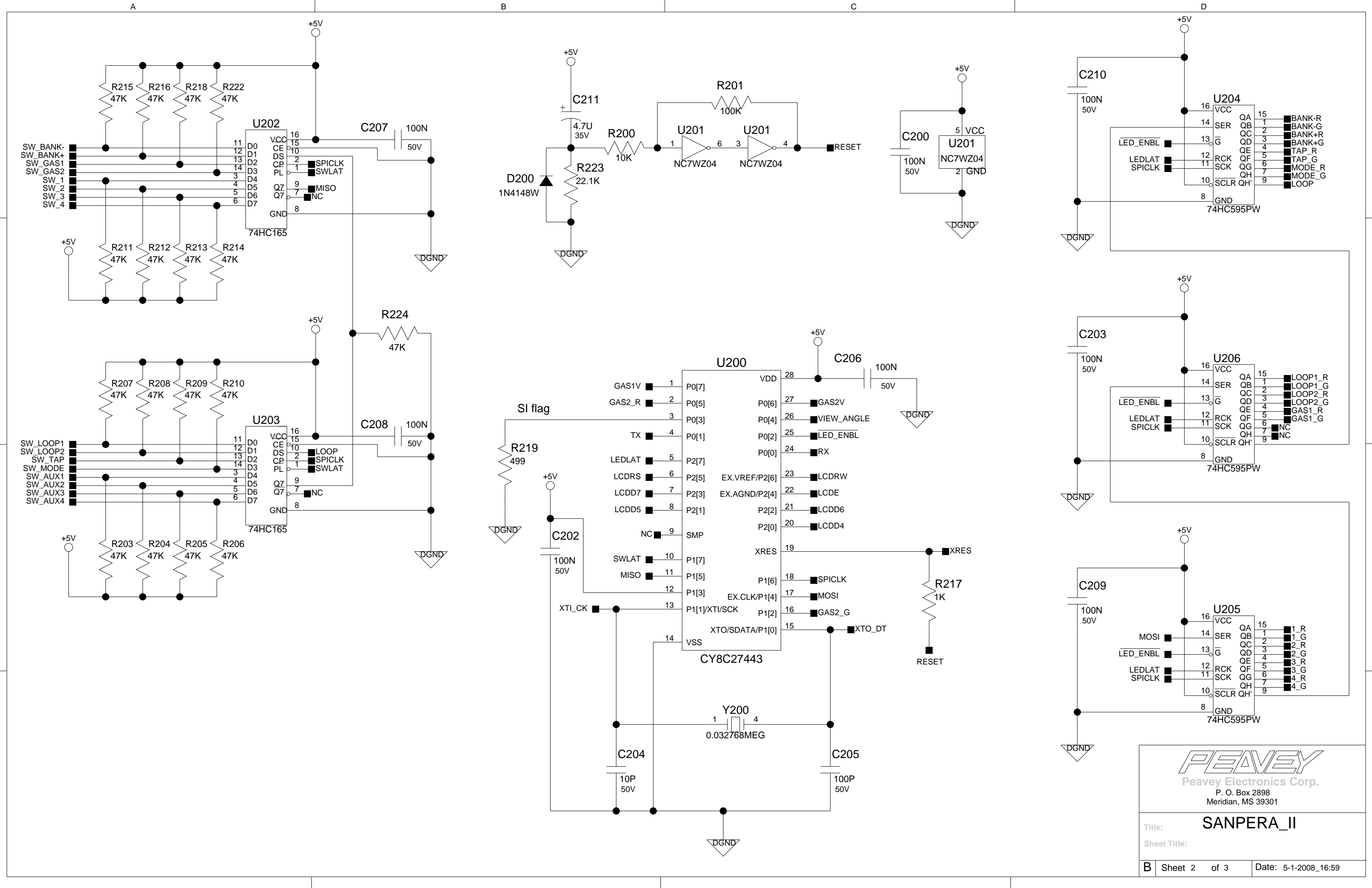
Note: All thru hole Resistors are 1/4 Watt unless otherwise indicated.  
 All SMT 1206 Resistors are 1/4 Watt.  
 All SMT 0805 Resistors are 1/10 Watt.  
 Note Capacitor Values are indicated as Follows:  
 val P = pF (picoFarads) val \* 10 exp-12  
 val N = nF (nanoFarads) val \* 10 exp-9 (1N=1000pF, 100N=0.1uF)  
 val U = uF (microFarads) val \* 10 exp-6

Patents:  
 Copyright Peavey Electronics Corporation 2008.

\*Company Proprietary Information\*



Product:	<b>SANPERA_II</b>		
Title:	<b>SANPERA_II</b>		
Project Number:			
Eng:		Release Date:	
B Sheet 1	of 3	Saved:	3-17-2008_10:04

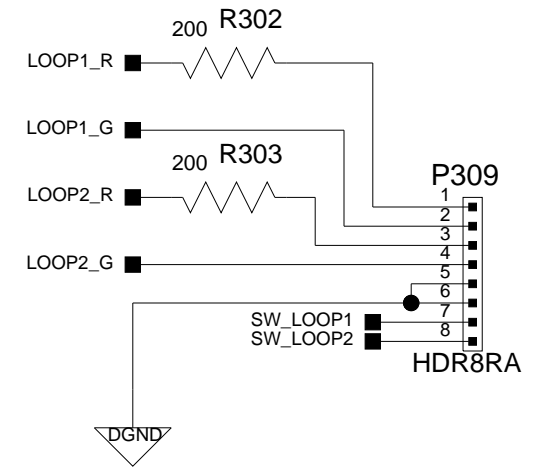
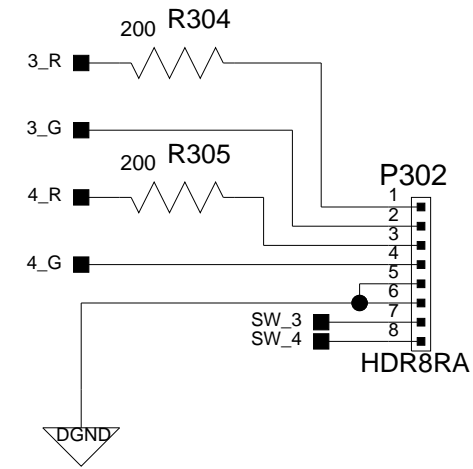
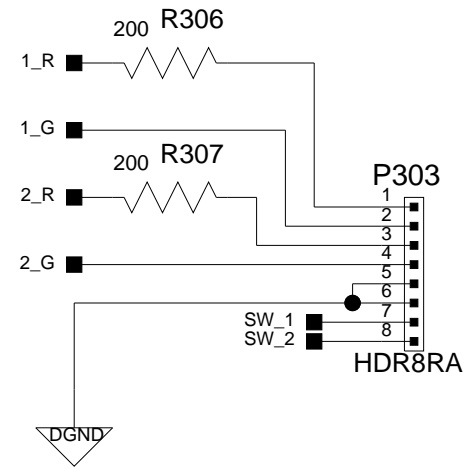
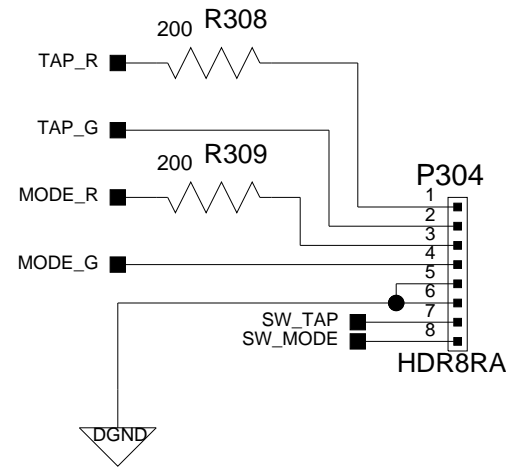
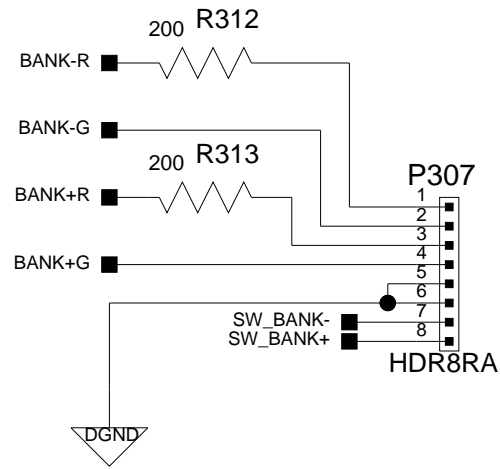


Title: **SANPERA\_II**

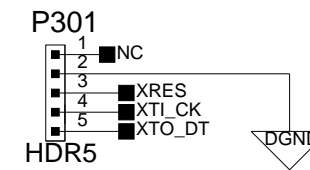
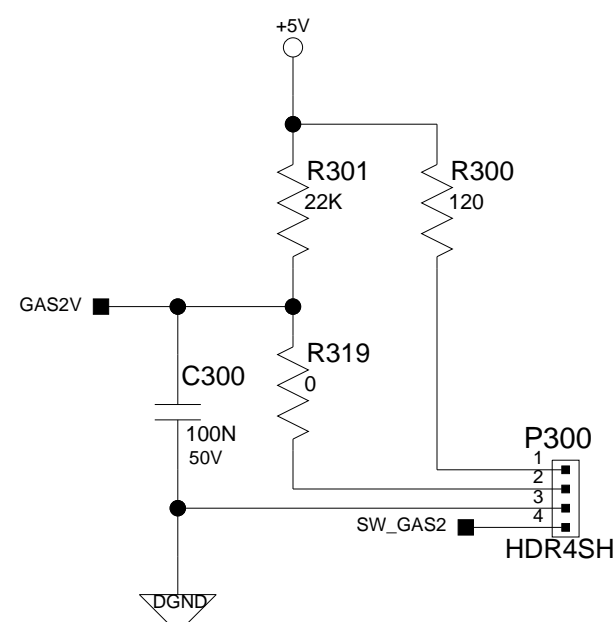
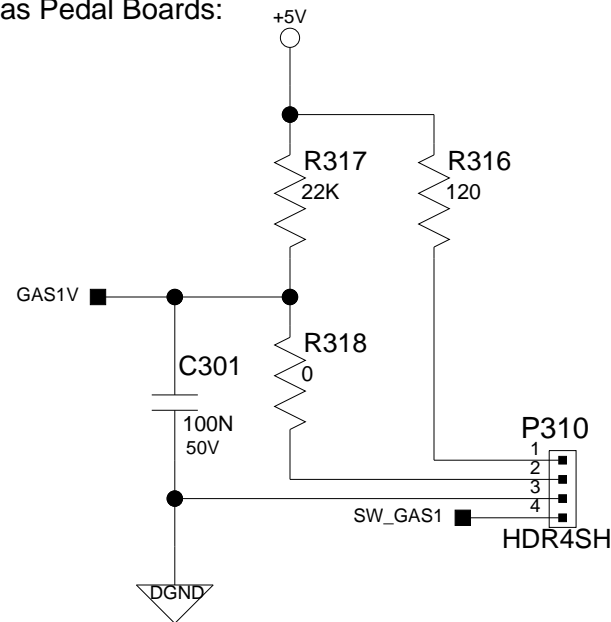
Sheet Title:

B Sheet 2 of 3 Date: 5-1-2008\_16:59

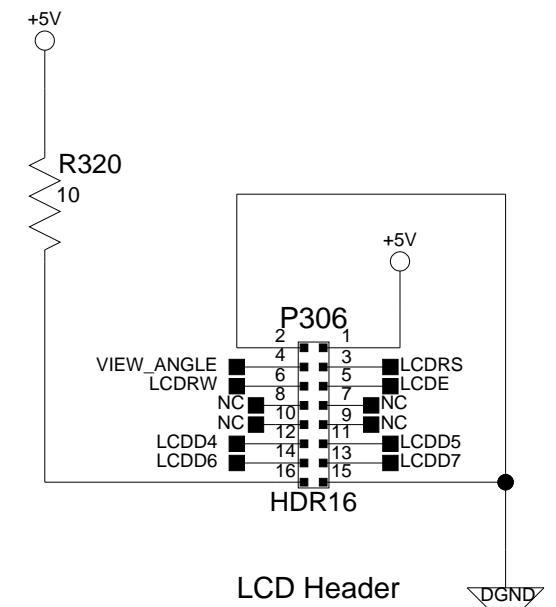
To Switch Boards:



To Gas Pedal Boards:

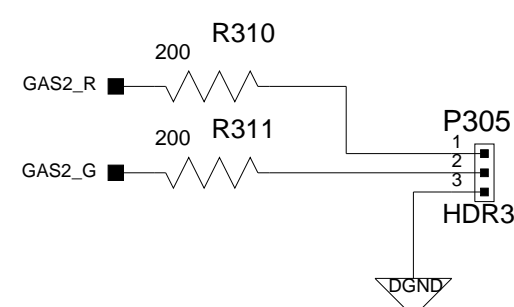
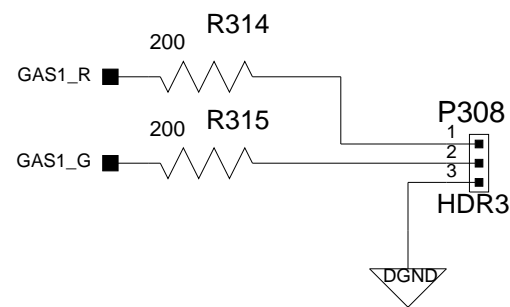


Programming Header



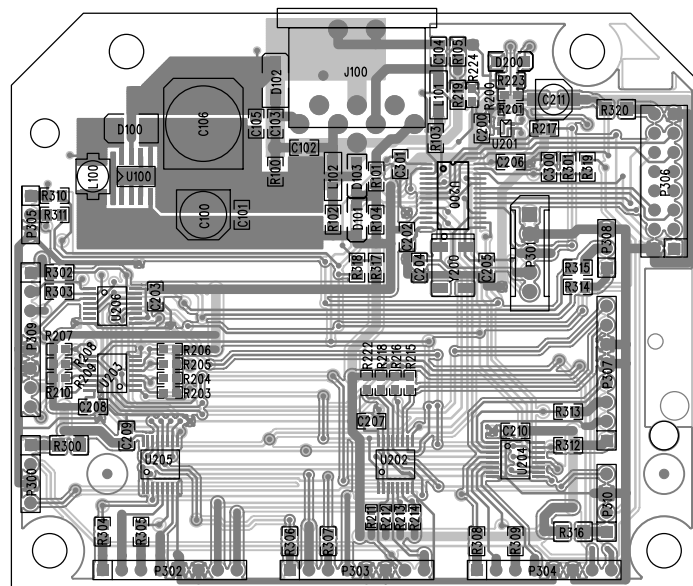
LCD Header

To Gas LED Boards:



Title: SANPERA\_II

Sheet Title:



BILL OF MATERIAL REPORT  
-----

REPORT DATE/TIME: 6/12/2008 10:14:55 AM

BOARD NAME: SANPERA 2 MAIN      ASSEMBLY LEVEL NUMBER: 29098491

PROJECT NUMBER: P0700047      DESIGNER: FJE

Qty.	Part #	Description	Reference Designators
--			
2	30200076	120      1/4W 1% MF 1206	R300 R316
4	30200164	0.0      JUMPER      SMT 0805	R100 R105 R318 R319
2	30200169	22K      1/10W 5% MF 0805	R301 R317
1	30200174	10K      1/10W 1% MF 0805	R104
3	30200183	221      1/10W 1% MF 0805	R101 R102 R103
1	30200188	1.00K    1/10W 1% MF 0805	R217
1	30200198	499      1/10W 1% MF 0805	R219
1	30200256	22.1K    1/10W 1% MF 0805	R223
1	30200288	100K     1/10W 5% MF 0603	R201
1	30200289	10K      1/10W 1% MF 0603	R200
17	30200313	47K      1/10W 5% MF 0603	R203 R204 R205 R206 R207 R208 R209 R210 R211 R212 R213 R214 R215 R216 R218 R222 R224
1	30200348	10        1/4W 1% MF 1206	R320
14	30200373	200      1/10W 1% MF 0805	R302 R303 R304 R305 R306 R307 R308 R309 R310 R311 R312 R313 R314 R315
11	30300085	0.1UF    50V 20% Z5U 0805	C105 C200 C202 C203 C206 C207 C208 C209 C210 C300 C301
1	30300086	10PF     50V 5% NPO 0805	C204
1	30300088	100PF    50V 5% NPO 0805	C205

1	30300098	220UF 50V 20% EL SMT10	C106
1	30300116	0.01UF 50V 5% X7R 0805	C103
1	30300151	47UF 35V 20% EL LOZ SMT6	C100
1	30300156	0.047UF 50V 10% X7R 0805	C101
2	30300157	1000PF 50V 10% X7R 0805	C102 C104
1	30300247	4.7UF 35V 20% EL SMT4	C211
1	30418219	SCHOTTKY 40V 1A SMT	D100
1	30418220	LM2594M-5.0,5V REG SMT	U100
1	30418261	1N4003 - SMT - SMA PKG	D102
3	30418328	1N4148W SWITCHING DIODE	D101 D103 D200
3	30418588	74HC595PW 8-TRI SHIFT REG SMT	U204 U205 U206
1	30418620	NC7WZ04 DUAL HS INVERTER SC7	U201
2	30418668	74HC165 PARALLEL-IN/SERIAL OUT	U202 U203
1	30418751	PSOC CY8C27443 SANPERAII	U200
2	30504101	FERRITE CHIP SMT	L101 L102
1	30800037	220UH IND 220MA SMT	L100
1	30800046	CRYSTAL 32.768KHZ SMT	Y200
1	31466147	CONN 8 POSITION RA PCMNT DIN	J100
2	33717025	4 HDR V SR .100" TIN	P300 P310
2	33717052	3 HDR V SR .100" TIN	P305 P308
1	33717109	16 HDR V DR .100" TIN	P306
5	33717282	8 HDR H SR .100" GLD	P302 P303 P304 P307 P309
1	33717352	5 HDR V SR 0.100" TIN	P301
3	FIDUCIAL	????????????????????????????????	FIDUCIAL1 FIDUCIAL2
	FIDUCIAL3		

-----  
 END OF BILL OF MATERIAL REPORT  
 -----