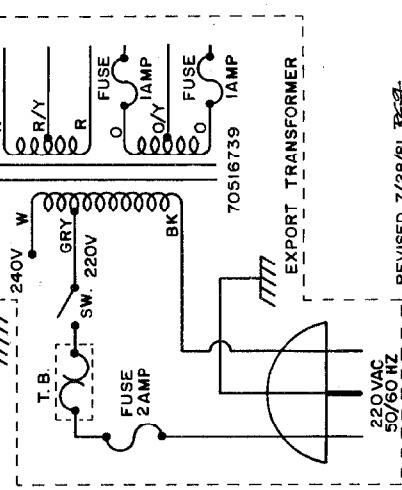
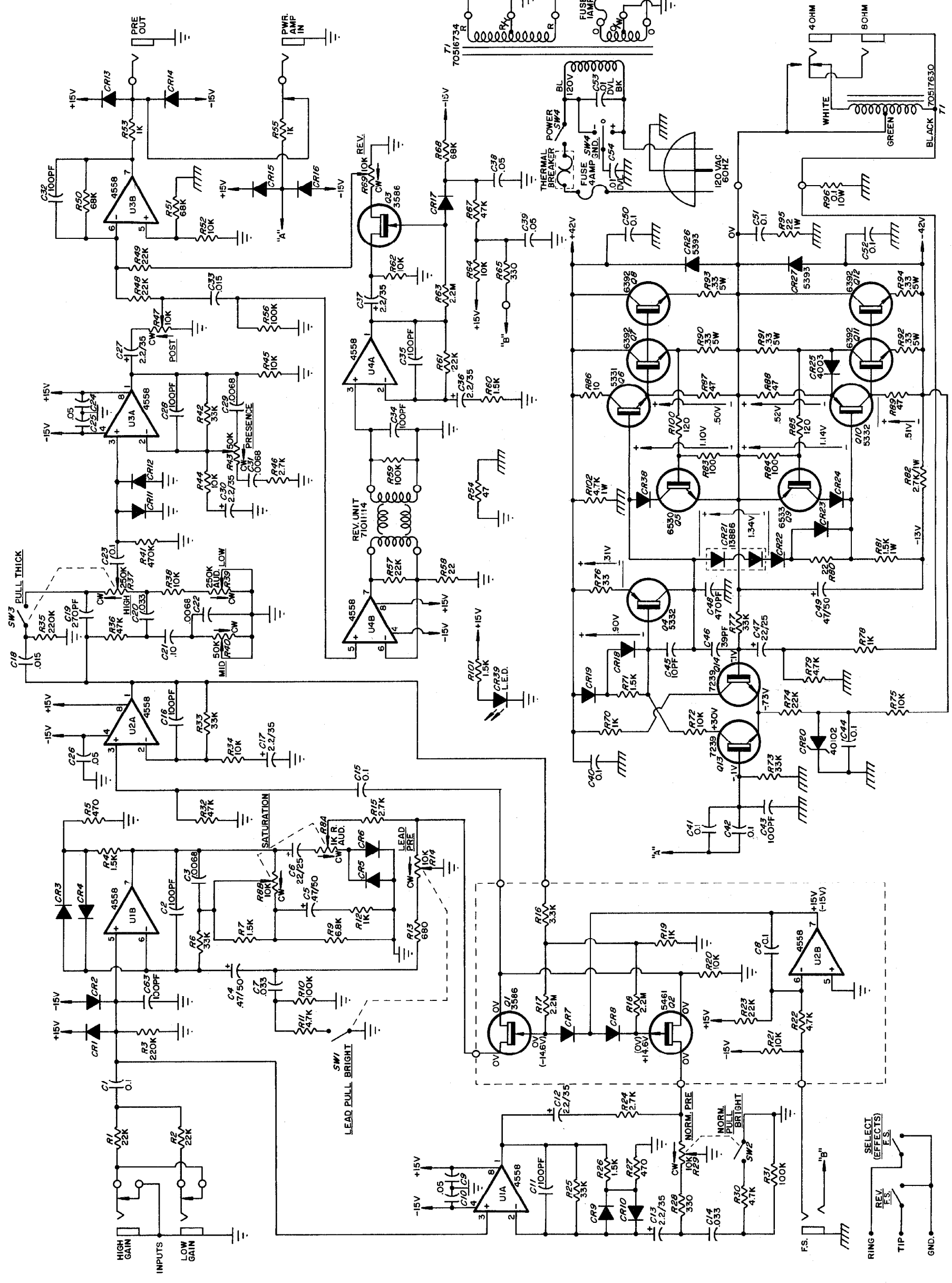


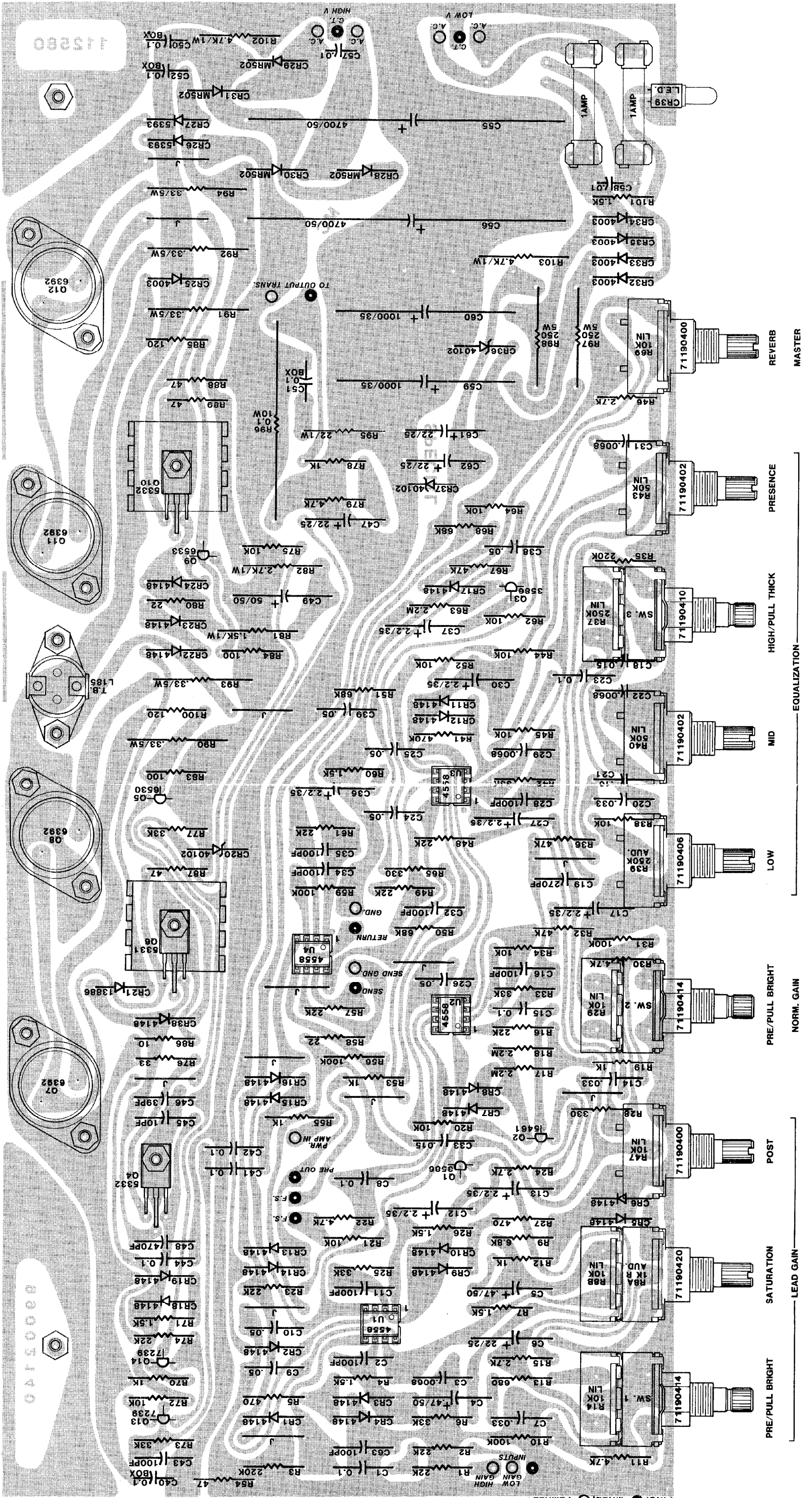
SPECIAL
 BD.#99002140

NOTES
 ALL POTS ARE LINEAR UNLESS NOTED
 ALL RESISTORS 1/4W UNLESS NOTED
 ALL RESISTORS IN OHMS UNLESS NOTED
 ALL CAPACITORS IN MFD UNLESS NOTED
 ALL DIODES IN4148 UNLESS NOTED
 LAST REF. DESIGNATOR USED:
 R103 C63 CR39 Q14 U4 T2 SW4
 VOLTAGES IN () ARE WITH FOOTSWITCH CLOSED
 VOLTAGES MAY VARY FROM UNIT TO UNIT
 CIRCUITRY PATENTS APPLIED FOR AND PENDING



REVISED 7/28/81 R23
 PEAVEY ELECTRONICS CORP.
 MERIDIAN, MS.
 DRAWN BY R23
 DATE 1/7/81
 C.B. CHECK R23
 CHECK BY R23
 APPR. BY R23

P/N 81501475



115280

0415002

PINS: ●-MALE, ○-FEMALE

PRE/PULL BRIGHT
SATURATION
POST
EQUALIZATION
LOW
MID
HIGH/PULL THICK
PRESENCE
REVERB
MASTER

SPECIAL