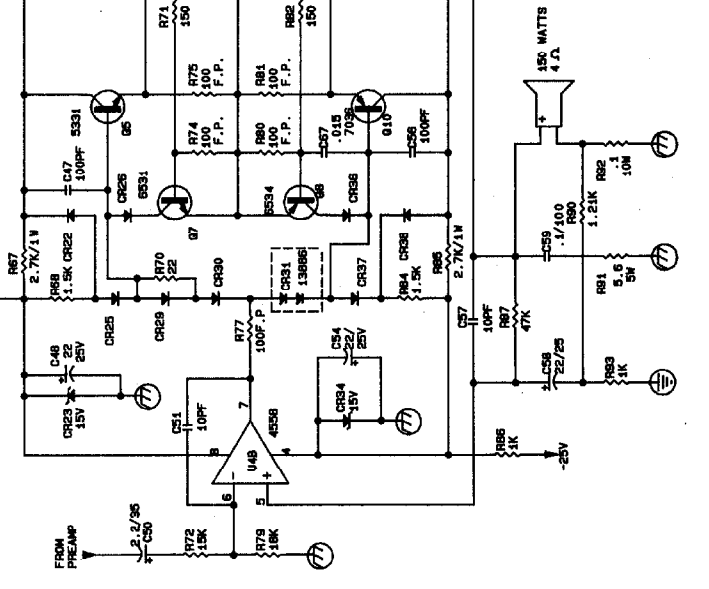


NOTES:
 ALL RESISTORS IN OHMS UNLESS NOTED
 ALL POTENTIOMETERS UNLESS NOTED
 ALL CAPACITORS IN MICROFARADS UNLESS NOTED
 ALL DIODES UNLESS NOTED
 VOLTAGES MAY VARY FROM UNIT TO UNIT
 PART REFERENCE DESIGNATOR UNLESS NOTED
 PART REFERENCE DESIGNATOR UNLESS NOTED
 PATENT PENDING

TRANSISTOR CROSS REFERENCE LIST

576	-	70-00576
5931	-	70-005931
6550	-	70-006550
6553	-	70-006553
6534	-	70-006534
7096	-	70-007096
8227	-	70-008227

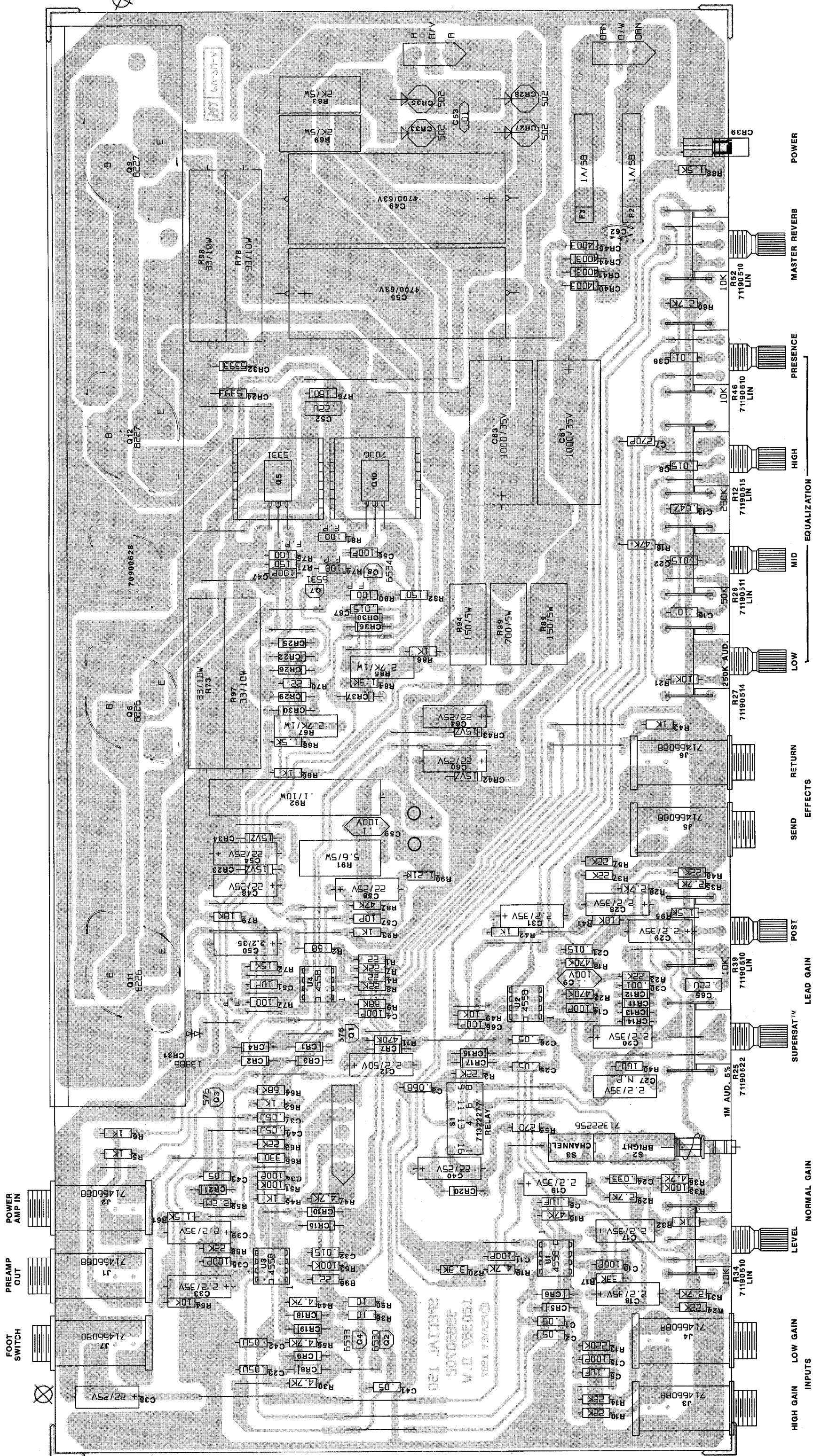


SPECIAL TH150
 BO.# 98850702 (12-3-87)

PEAVEY ELECTRONICS CORP.
 7111 A ST.
 MERIDIAN, MS
 DRAWN BY: DRH
 C.B. DR: DRH
 DATE: 2-24-88
 APPR: [Signature]

P/N 81510-05

COPYRIGHT 1988 PEAVEY ELECTRONICS CORP. PRINTED IN U.S.A.



POWER AMP IN
PREAMP OUT
FOOT SWITCH

HIGH GAIN
LOW GAIN
LEVEL
NORMAL GAIN
SUPERSAT™
LEAD GAIN
POST
SEND
RETURN
EFFECTS
LOW
MID
HIGH
EQUALIZATION
PRESENCE
MASTER REVERB
POWER

SONORON
W.D. SPEER
RECEIVED
JAN 12 1963